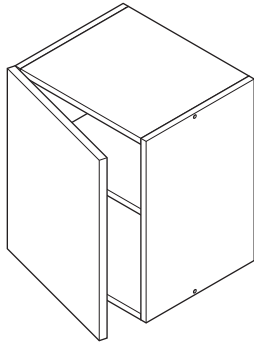
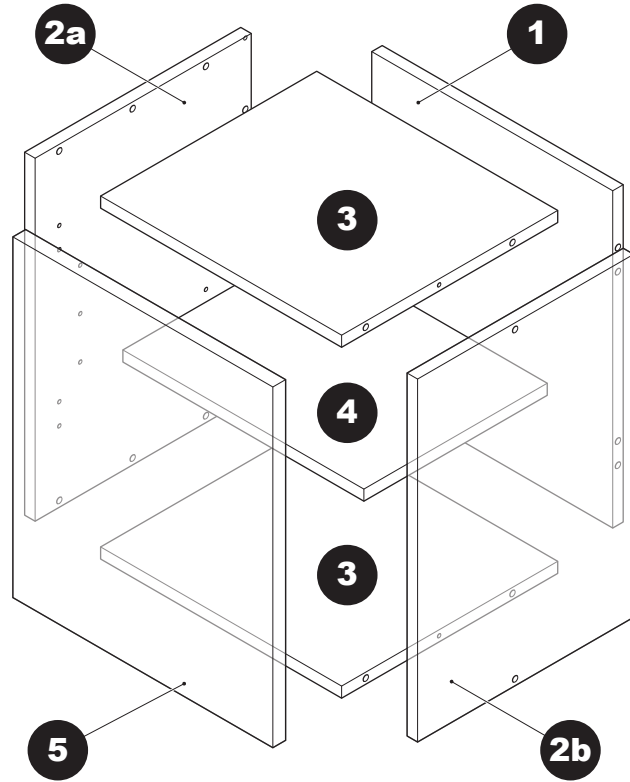
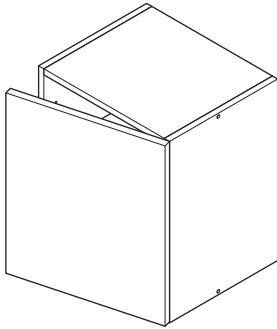


LH



180°

RH



<p>Ø8x35</p> <p>A1 pc. 12</p>	<p>B4</p> <p>B4 pc. 4</p>	<p>Ø15x12</p> <p>B5 pc. 4</p>	<p>Ø7x50</p> <p>B11 pc. 4</p>	<p>USØ3,5x13</p> <p>D10 pc. 4</p>	<p>E7</p> <p>E7 pc. 2</p>	<p>E8</p> <p>E8 pc. 2</p>
<p>F01</p> <p>F01 pc. 2</p>	<p>G2</p> <p>G2 pc. 1</p>	<p>G4</p> <p>G4 pc. 4</p>	<p>G5</p> <p>G5 pc. 4</p>	<p>G7</p> <p>G7 pc. 4</p>	<p>I03</p> <p>I03 pc. 1</p>	<p>UPØ4x30</p> <p>UP6 pc. 2</p>
<p>Ø5</p> <p>Z2 pc. 12</p>						

Symbology



Phases of assembly



Reference to the detail



Elements



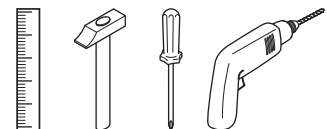
Screw to fix



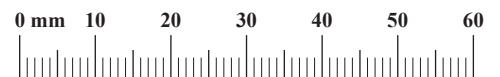
Hardware and tools

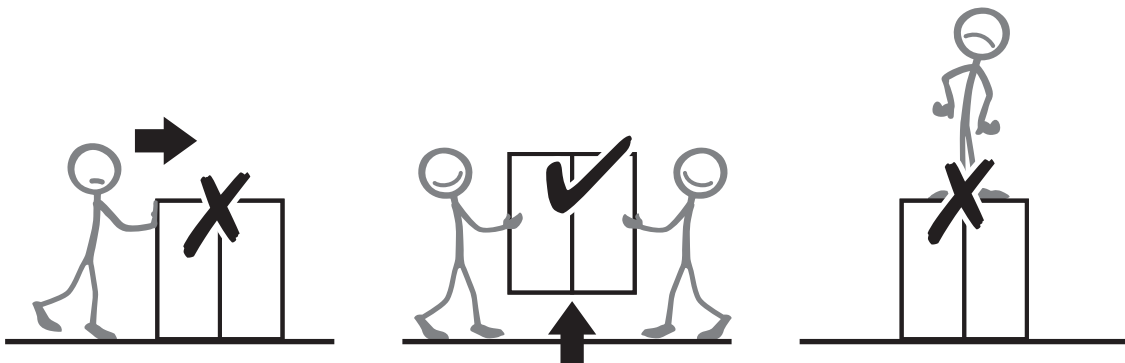
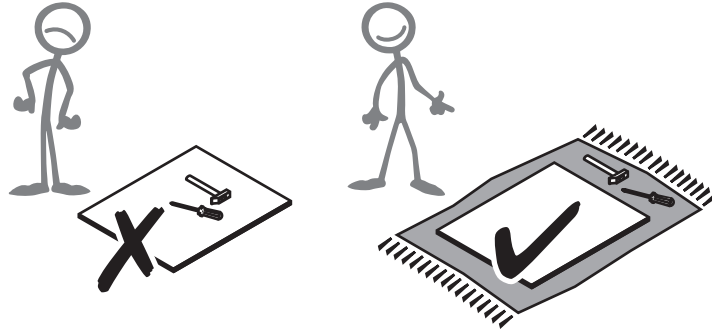
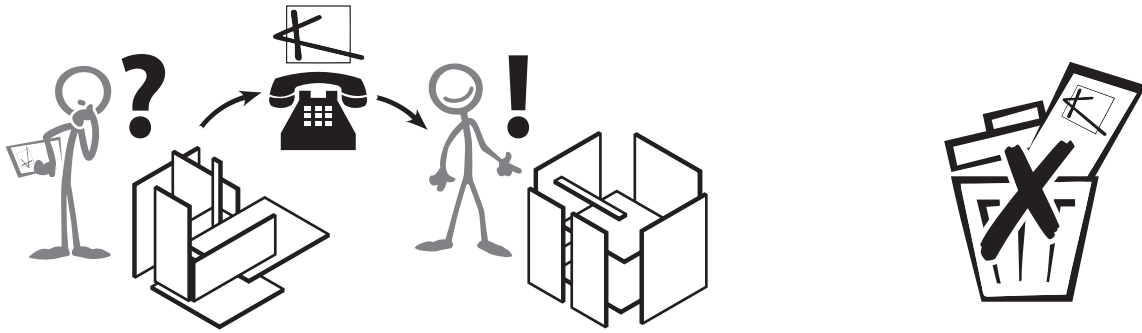


Movement direction



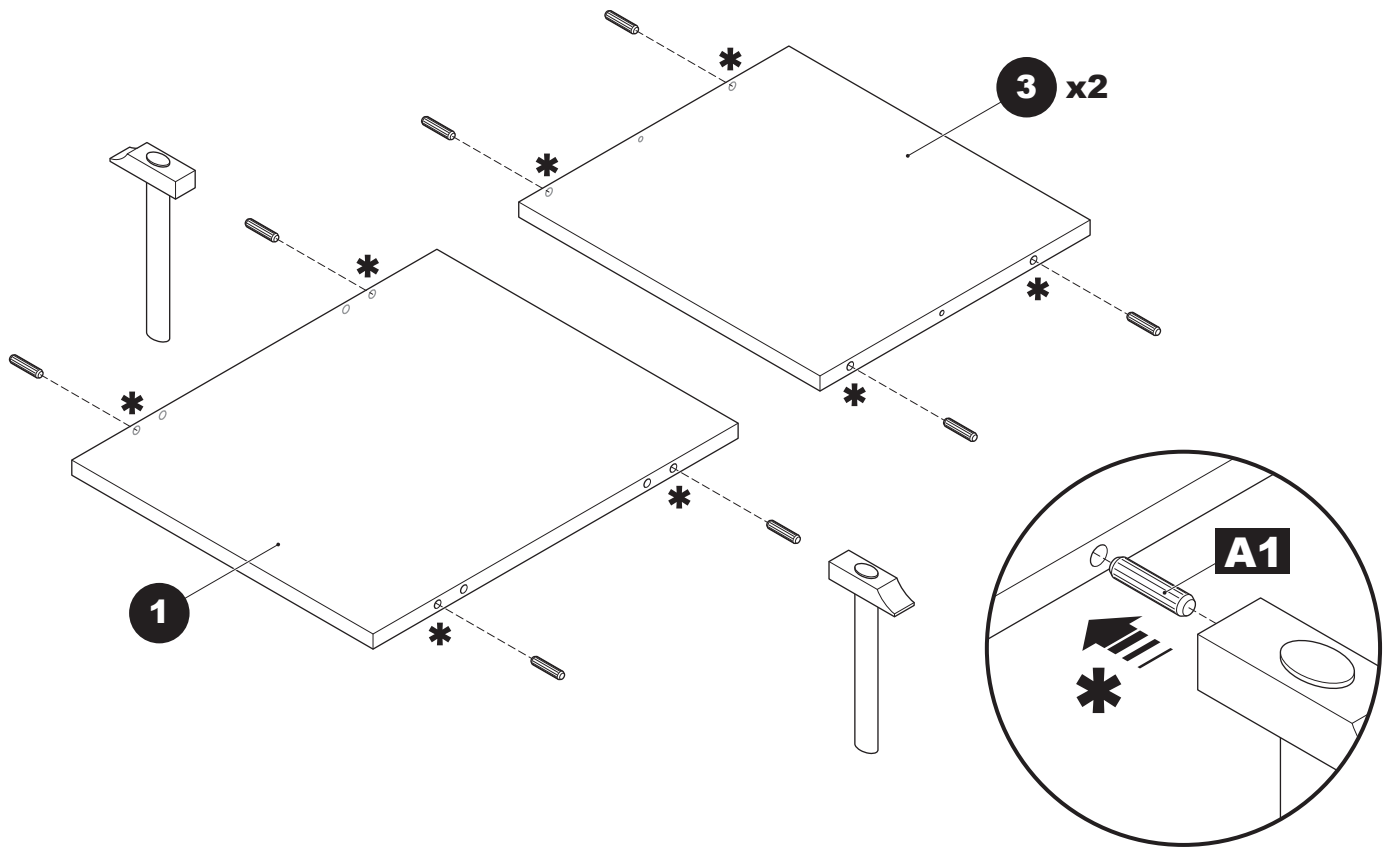
60 min



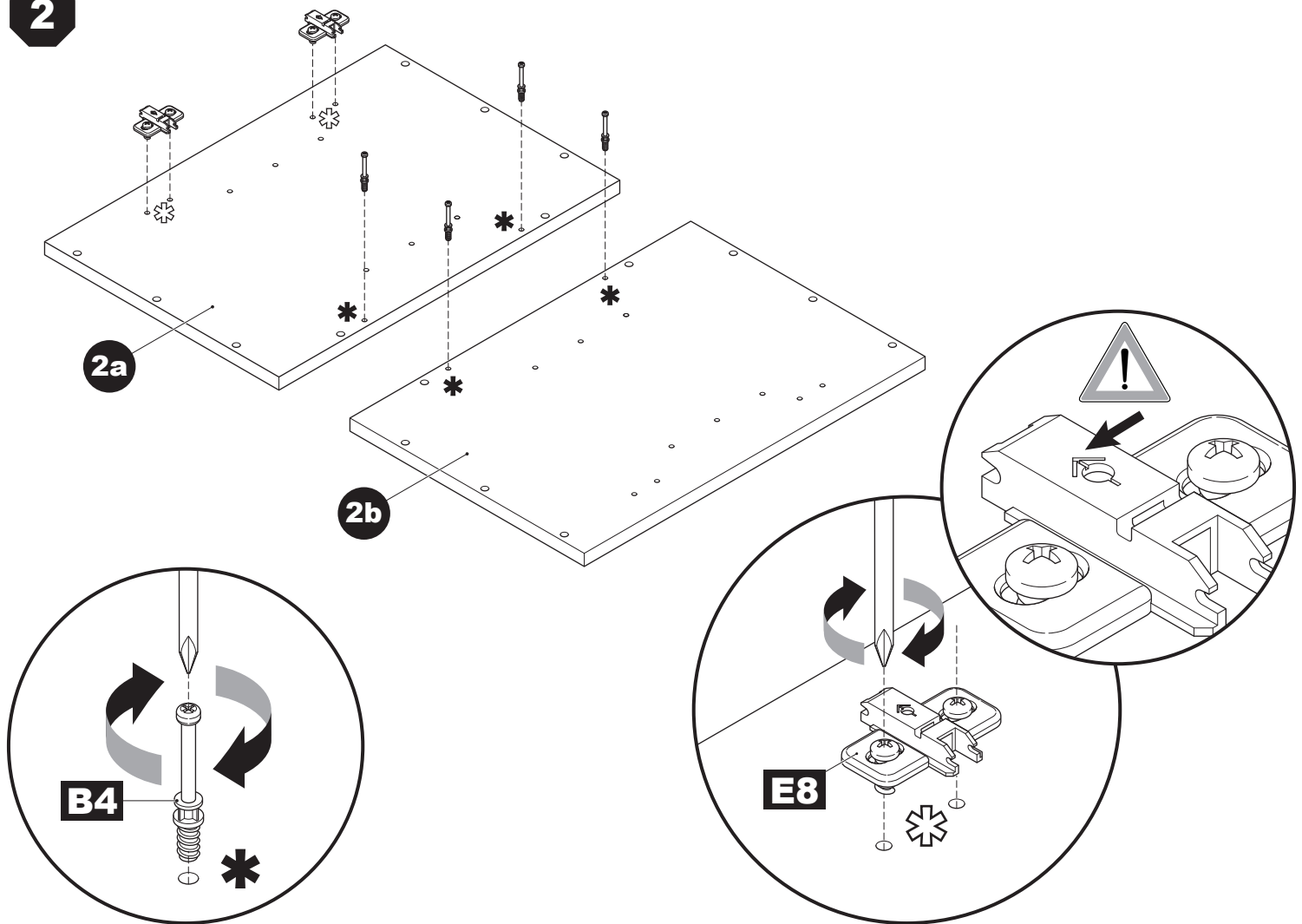




1

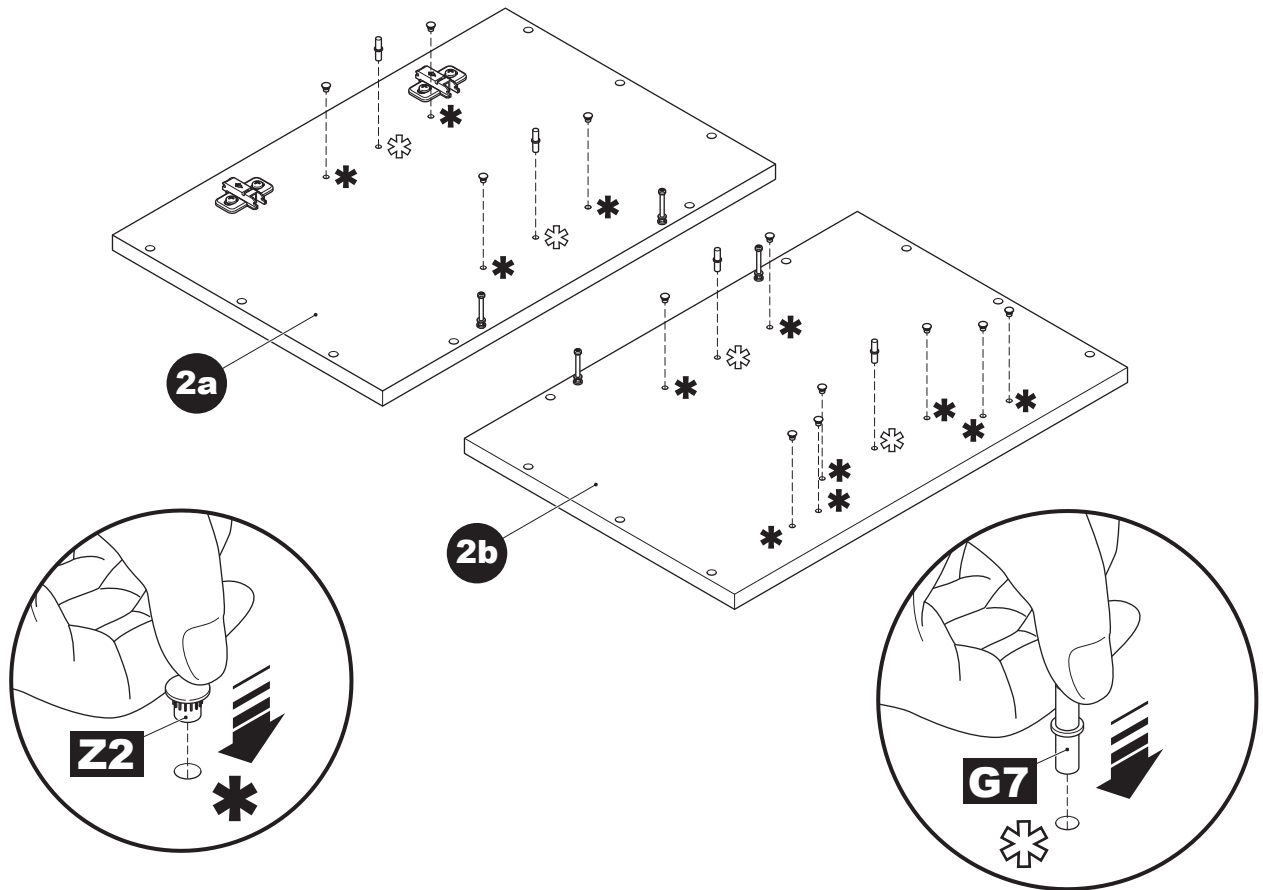


2

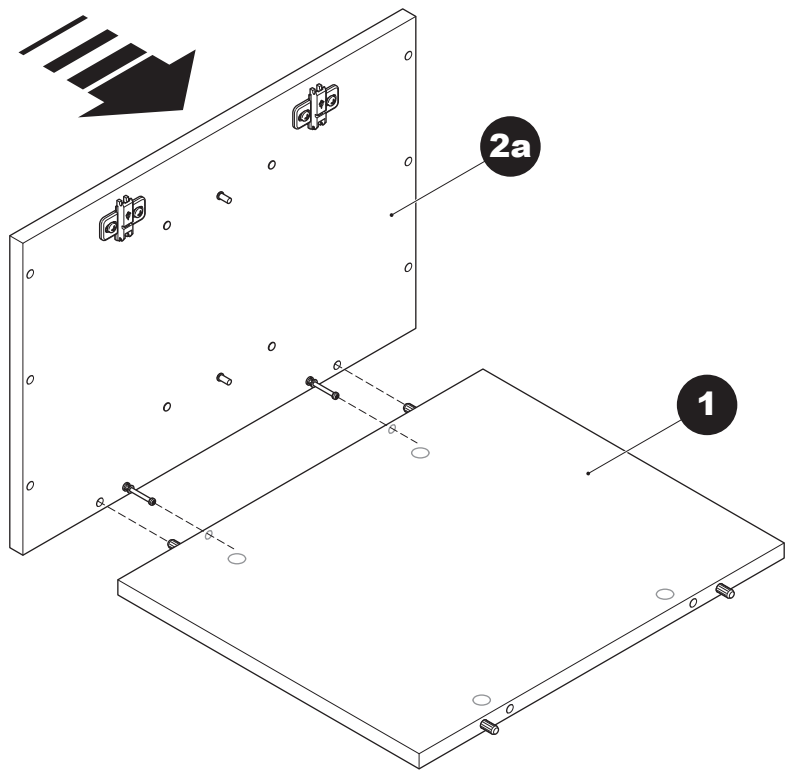




3

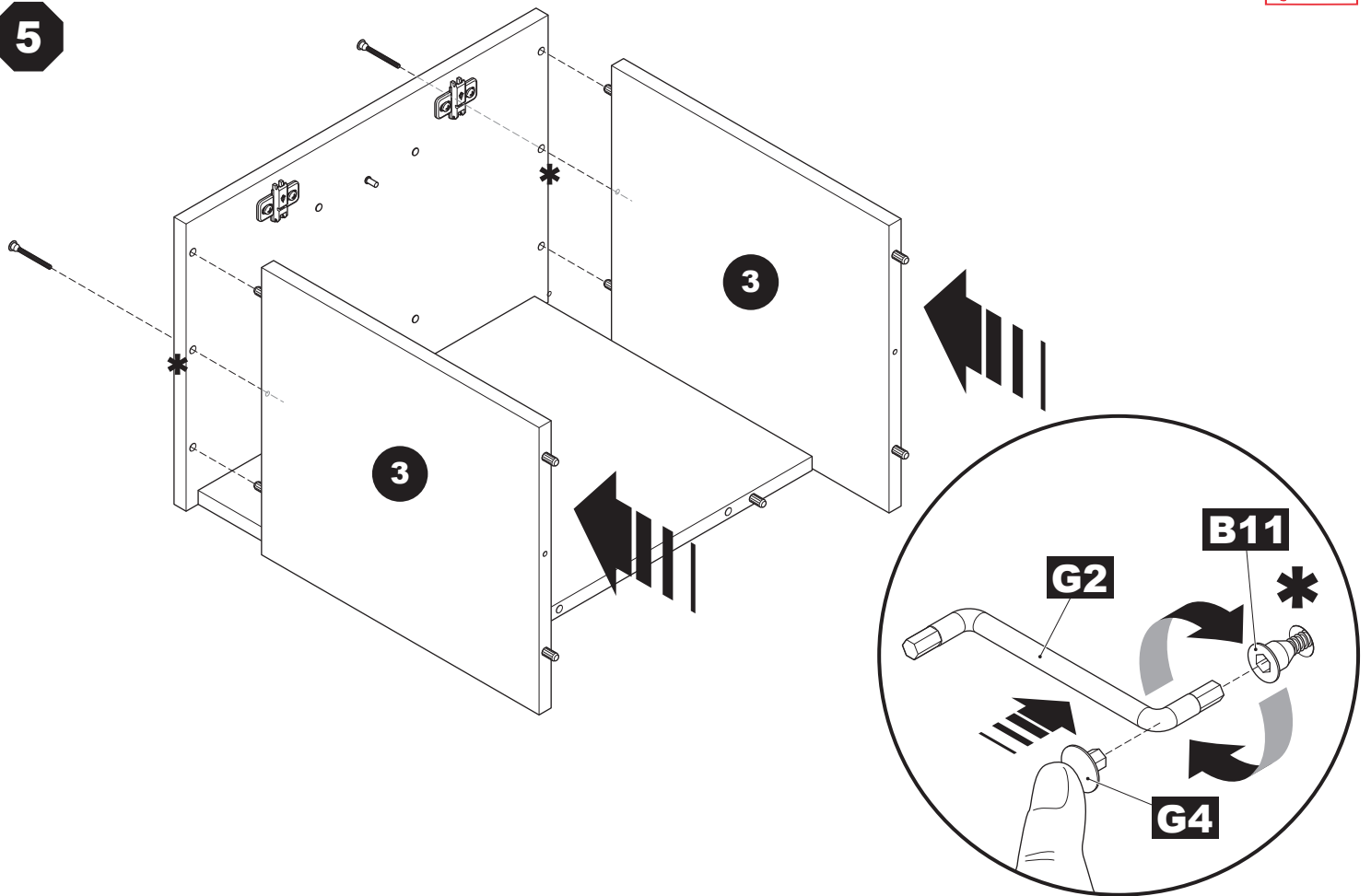


4

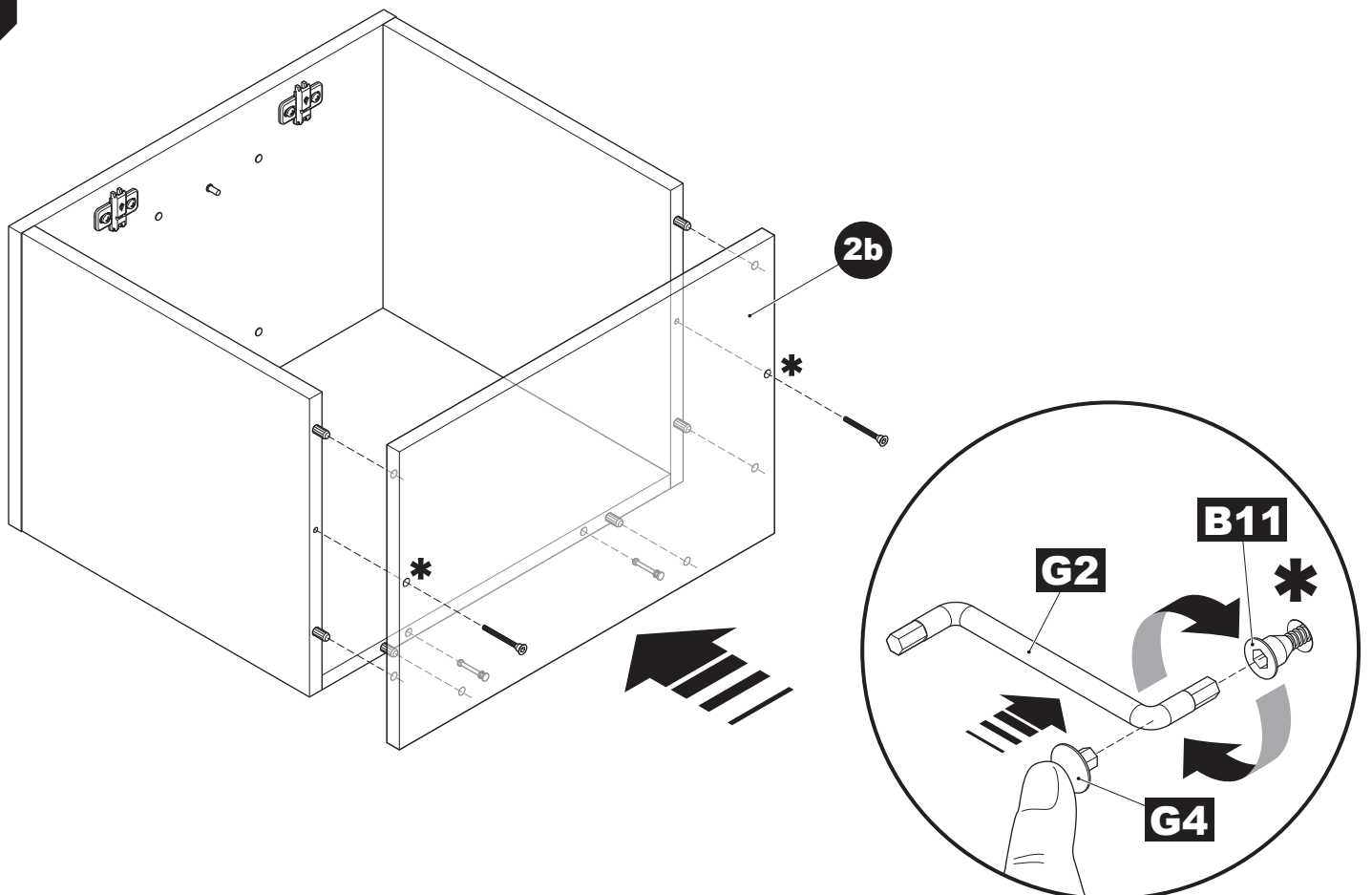




5

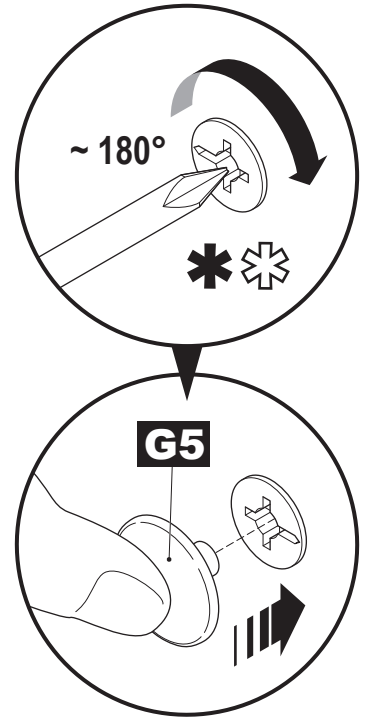
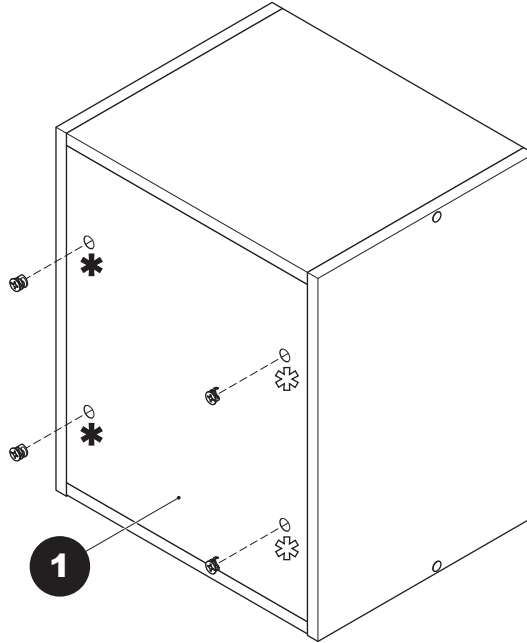
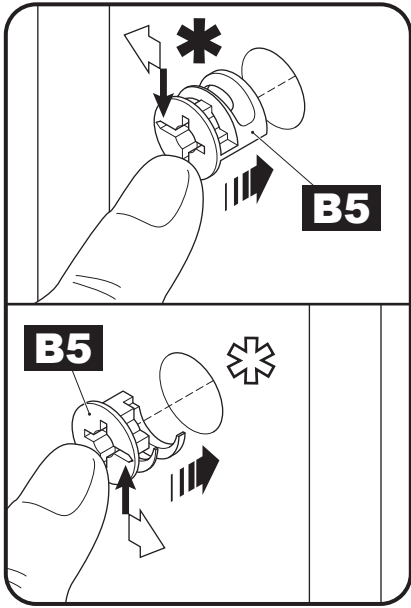


6

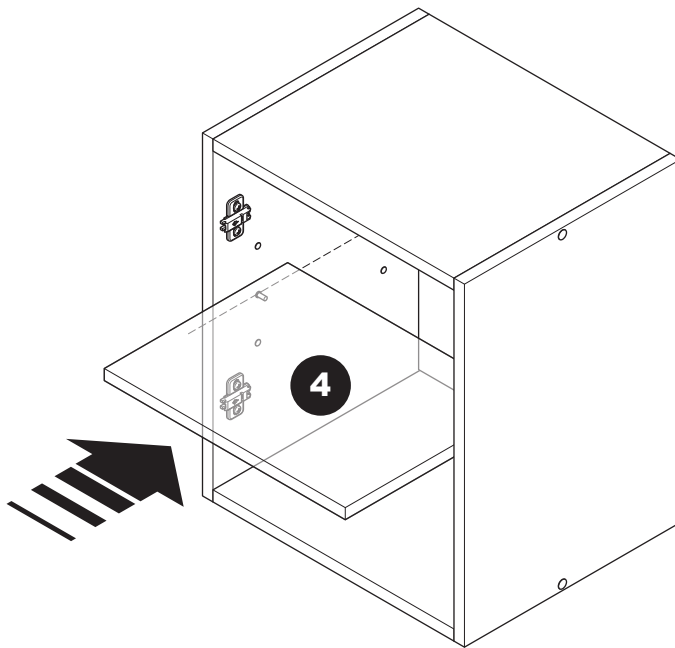




7

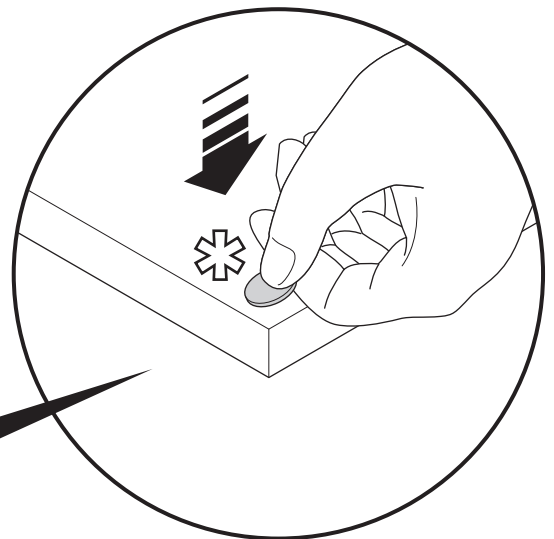
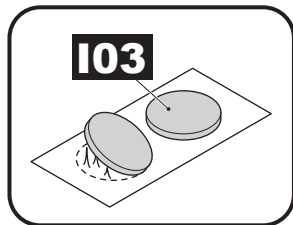
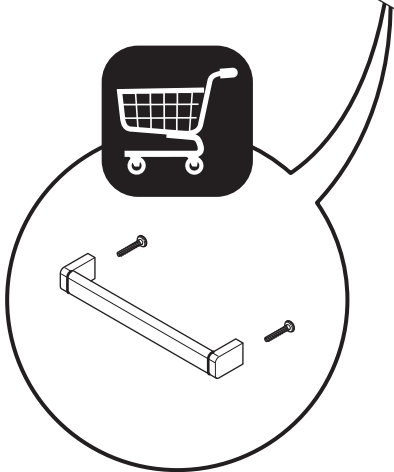
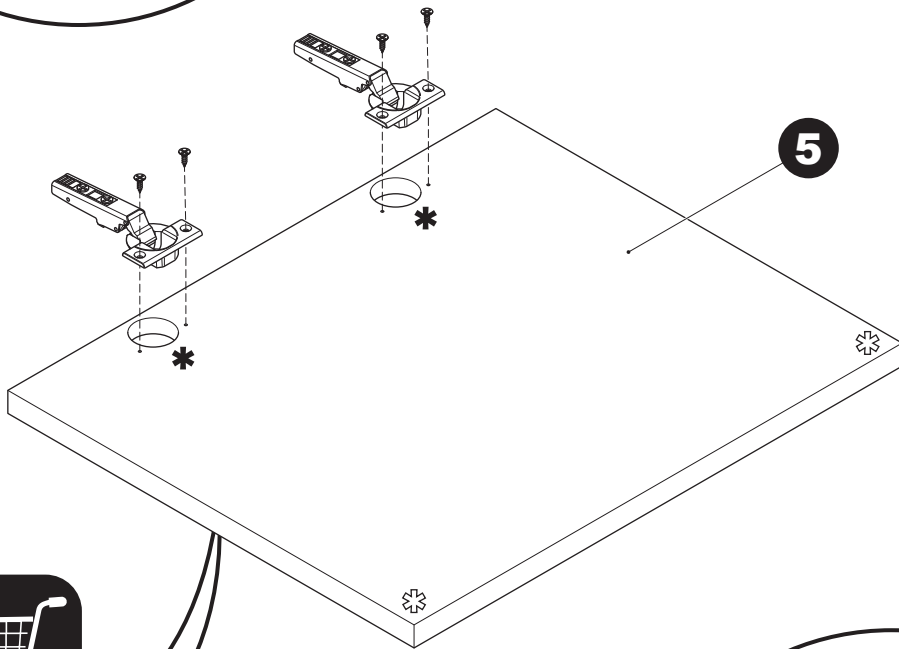
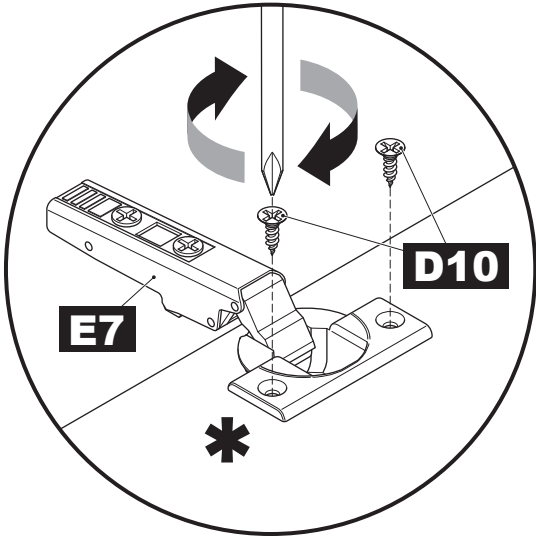


8



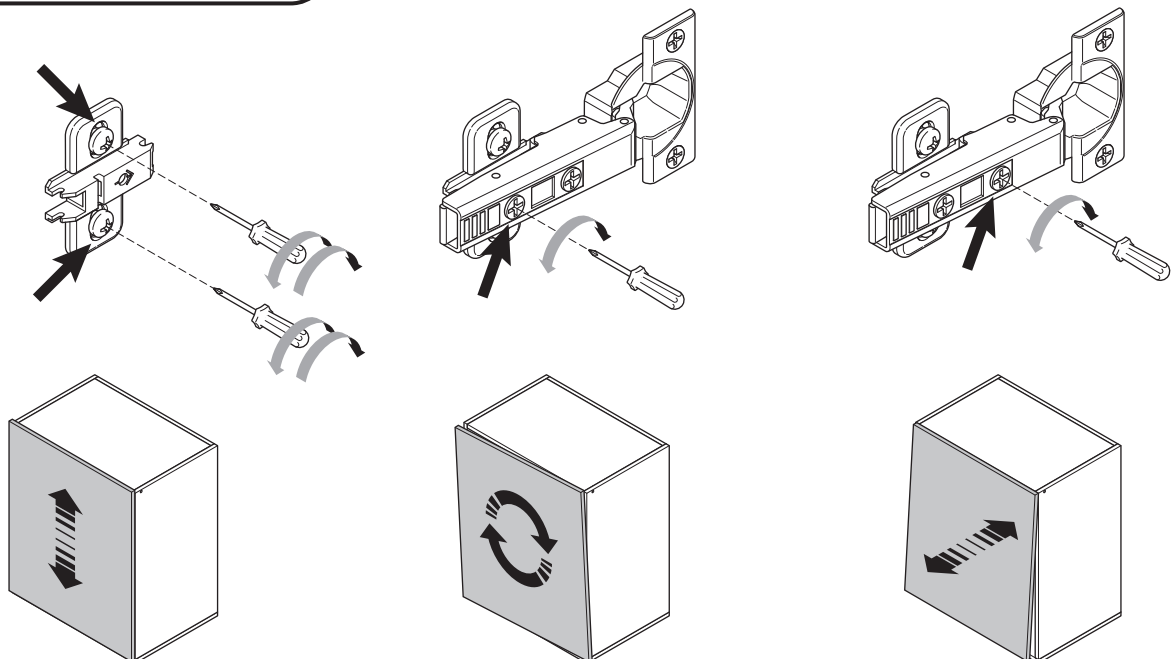
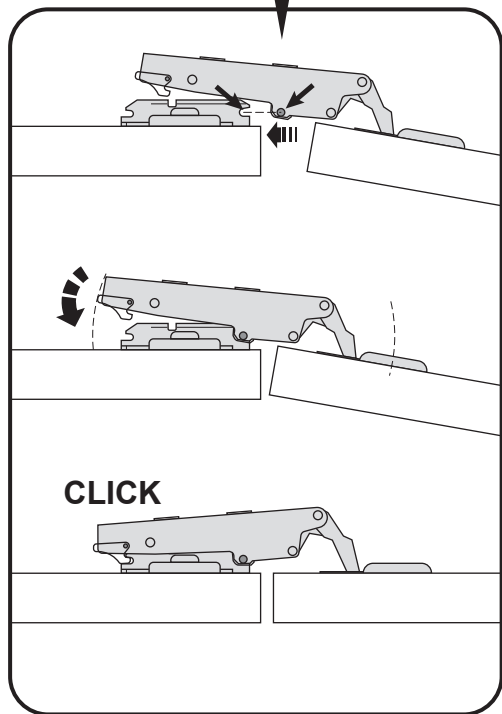
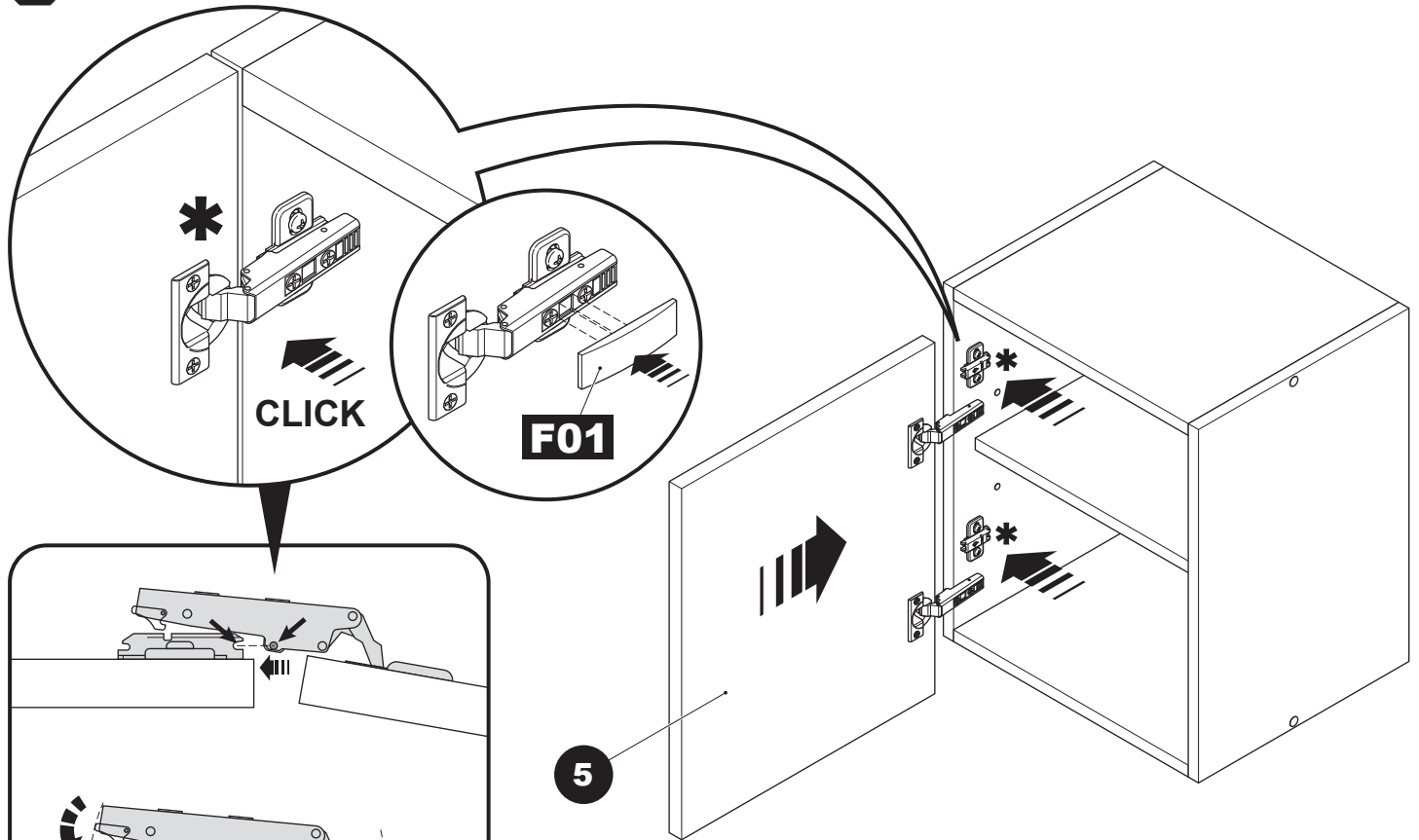


9



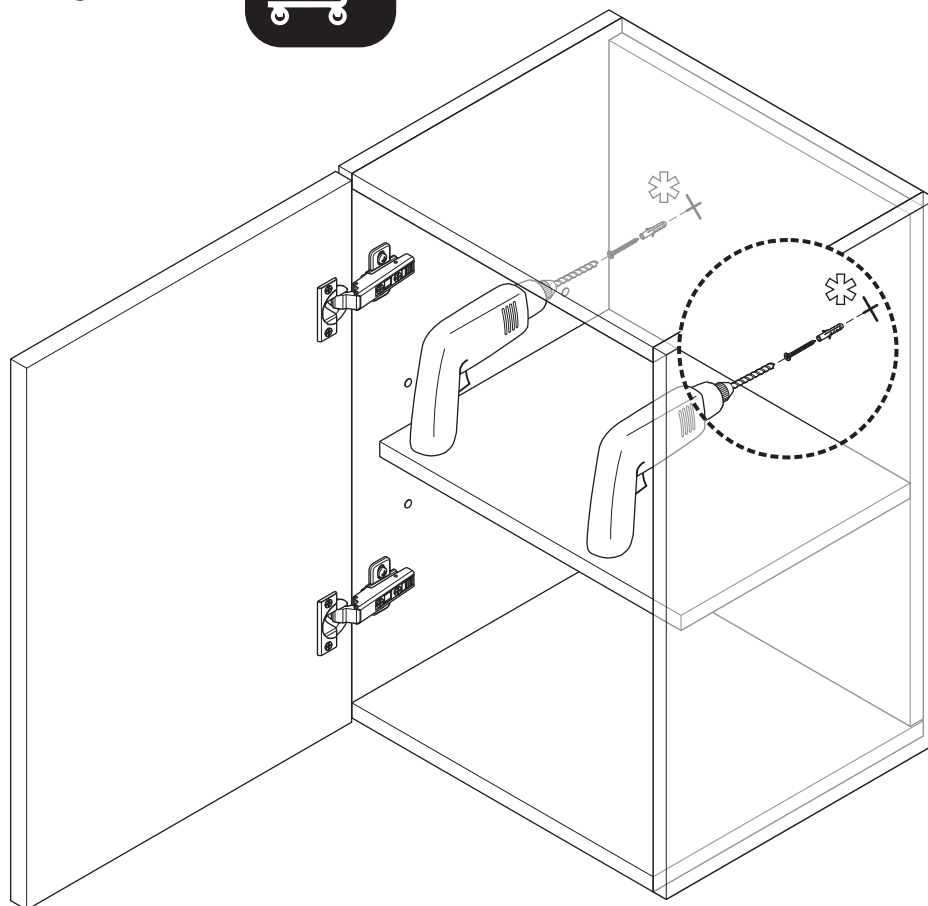


10





11





Kitchen Cabinets and Stones Limited