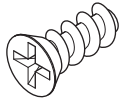
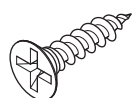
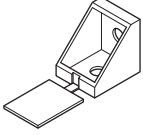
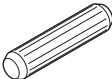
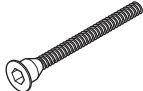

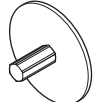
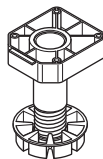
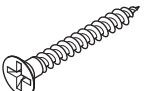

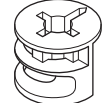
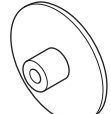
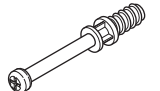
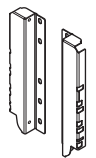
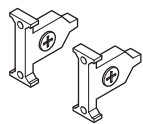
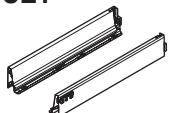
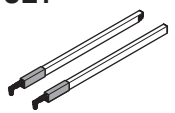
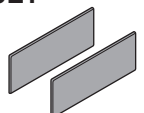
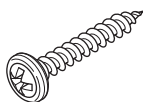

 SET BM1 pc. 2	 Ø6x13 D8 pc. 12	 USØ3,5x16 D30 pc. 60	 KM1 pc. 4	 Ø8x35 A1 pc. 10	 Ø7x50 B11 pc. 29	 G2 pc. 1
 G4 pc. 29	 I15 pc. 4	 USØ4x35 D27 pc. 16	 USØ3,5x18 D18 pc. 8	 Ø15x12 B5 pc. 2	 G5 pc. 2	 B4 pc. 2
 SET BM4 pc. 2	 SET BM2 pc. 2	 SET BM5 pc. 2	 SET BM6 pc. 2	 SET BM7 pc. 2	 UPØ4x30 UP6 pc. 4	 I16 pc. 2

Symbology



Phases of assembly



Reference to the detail



Elements



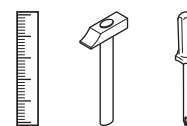
Screw to fix



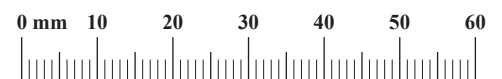
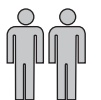
Hardware and tools

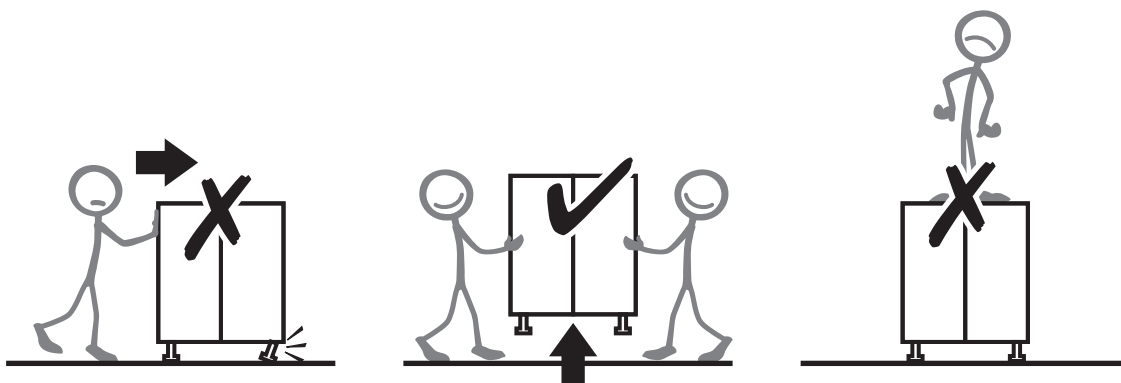
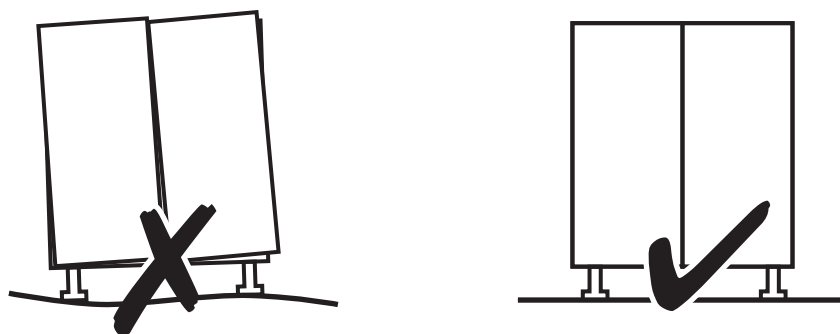
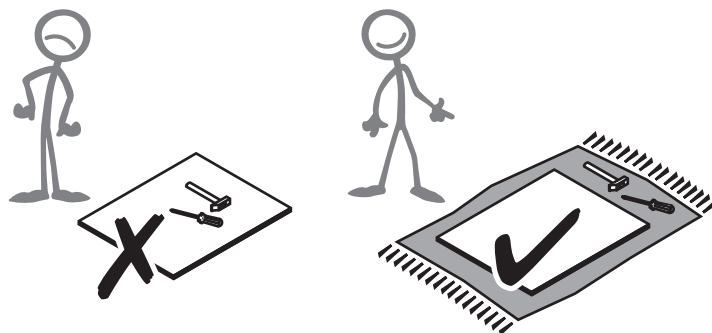
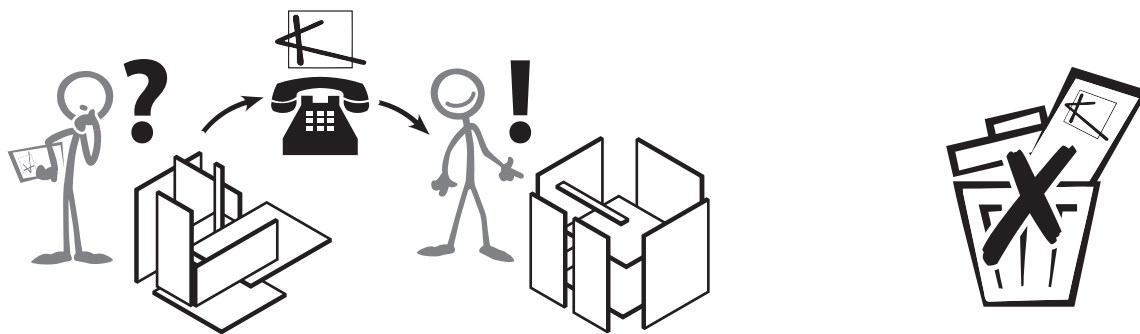


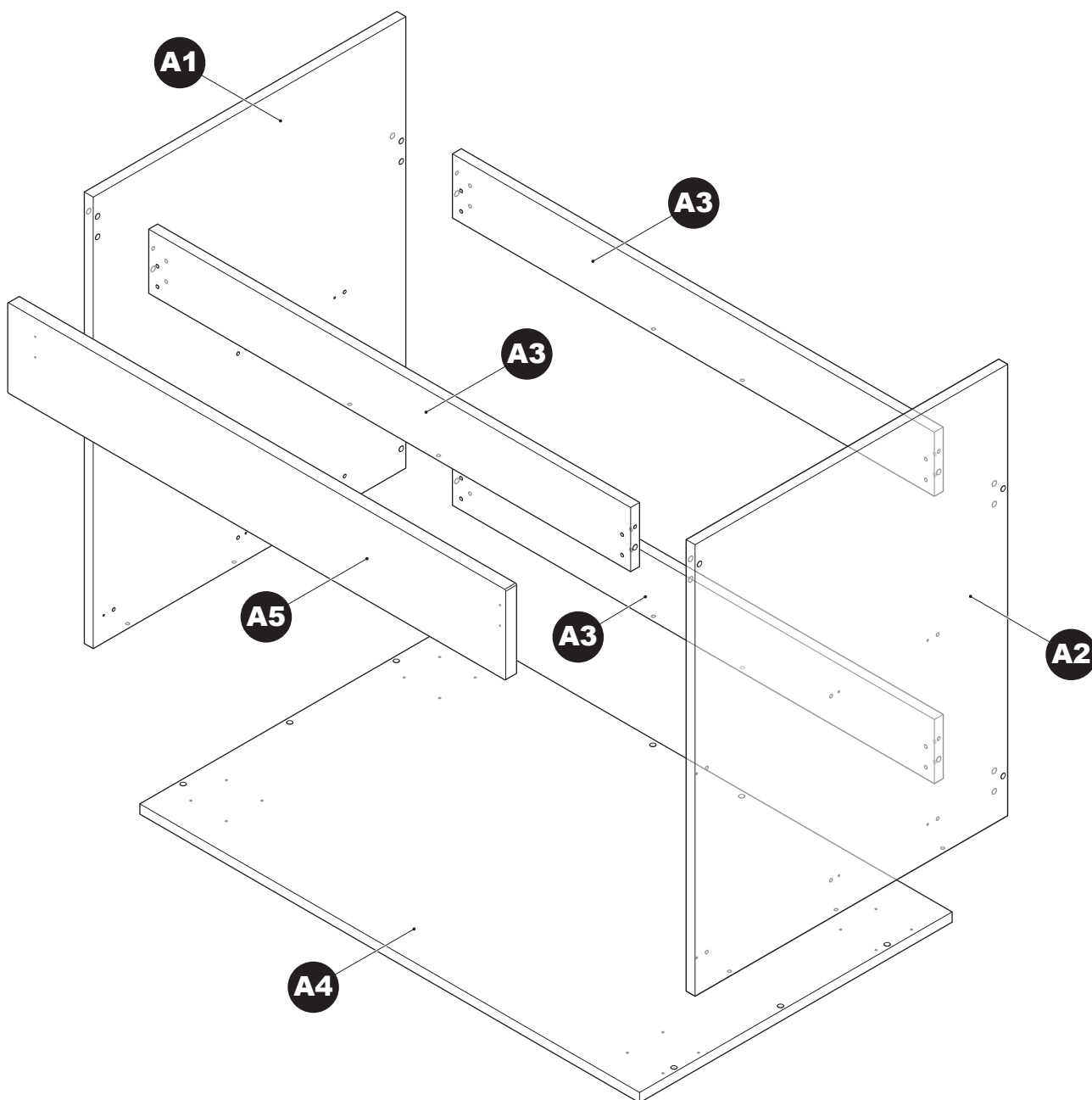
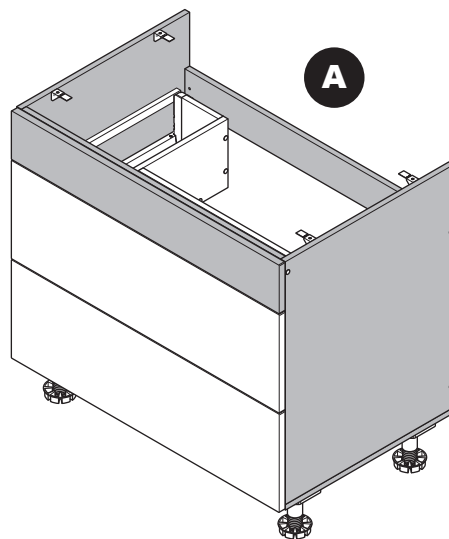
Movement direction



60 min

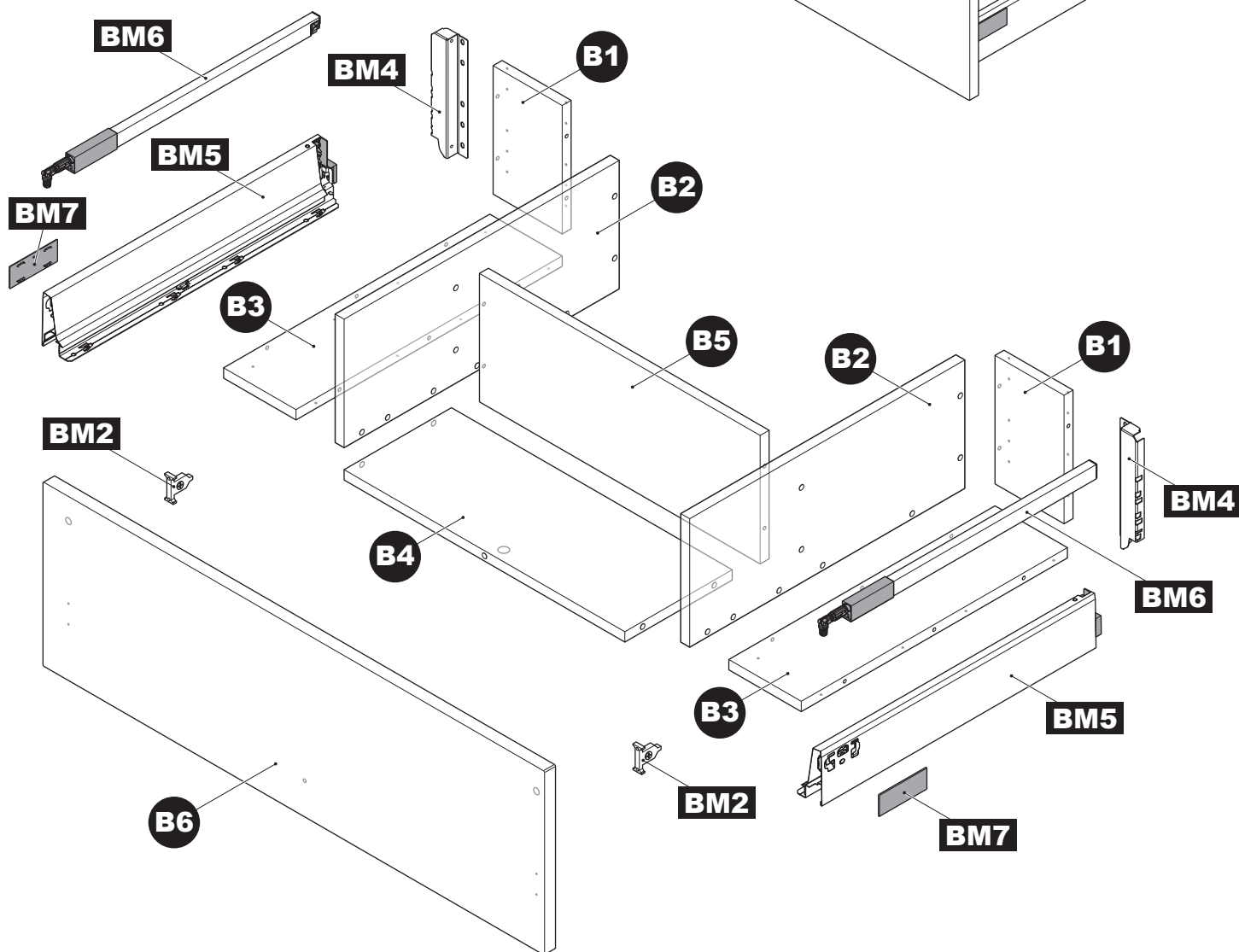
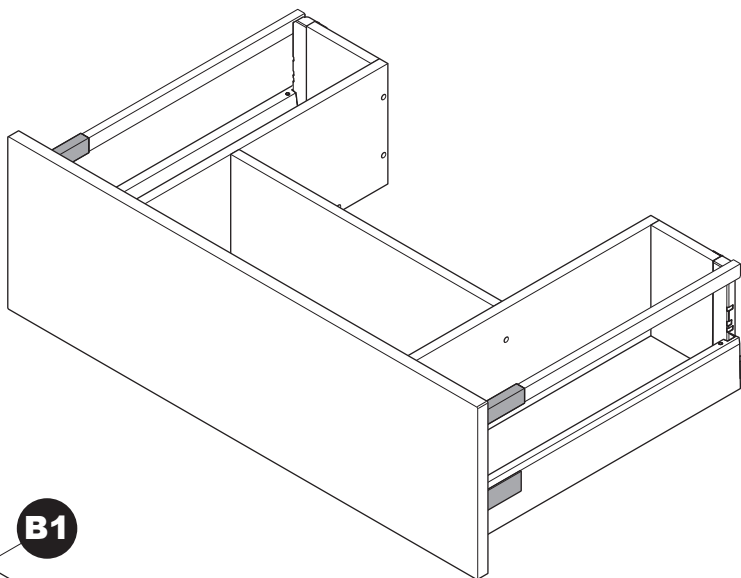
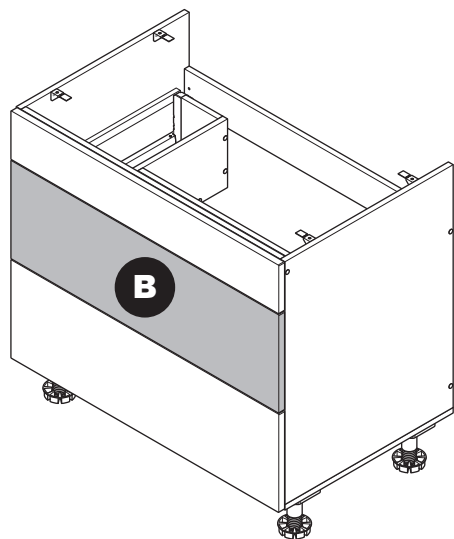






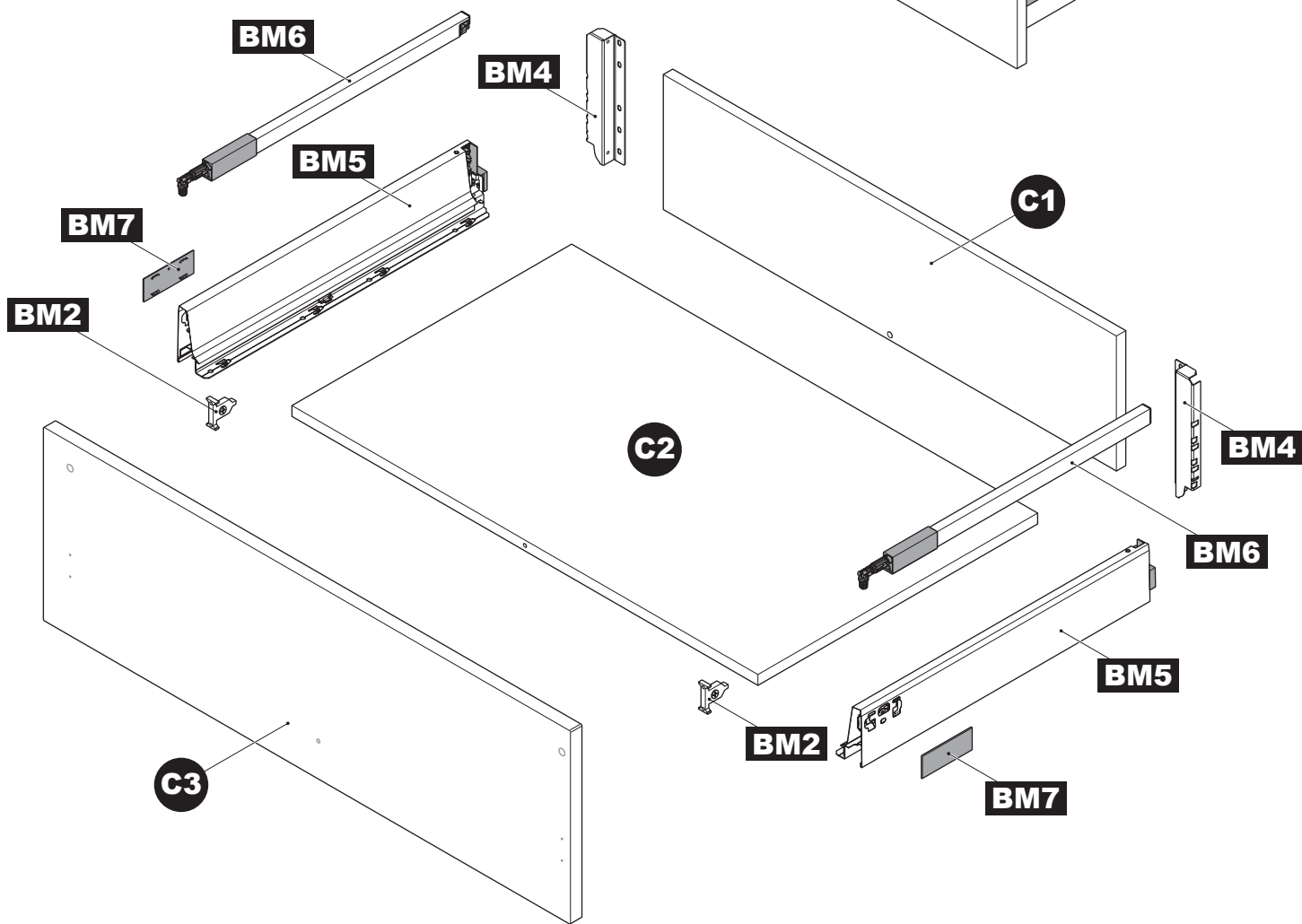
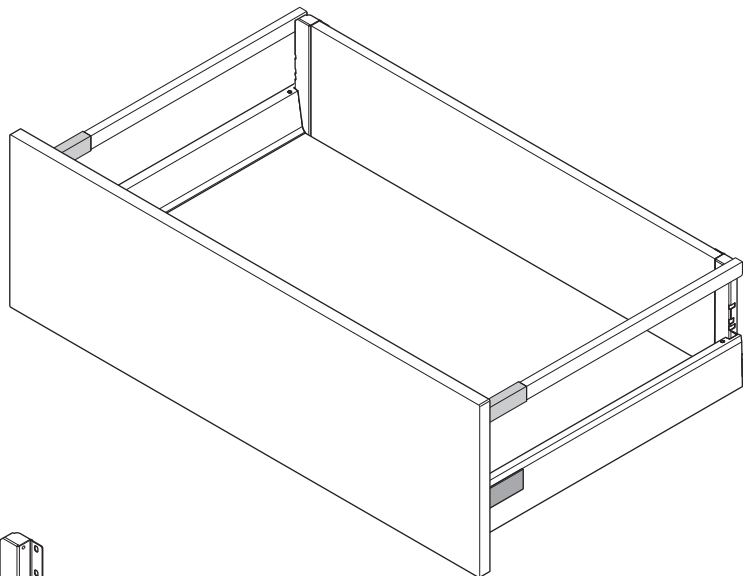
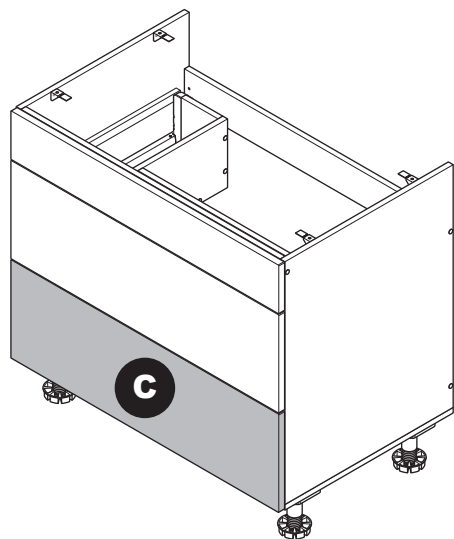


B





C





1 **A**

BM1

D30

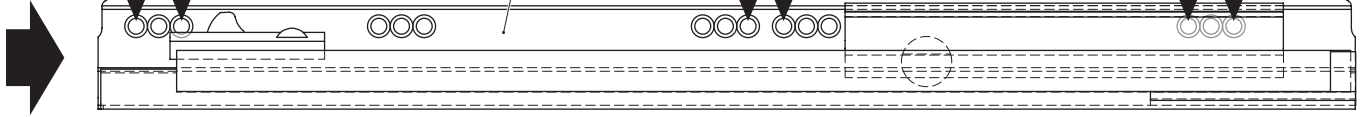
D8

D8

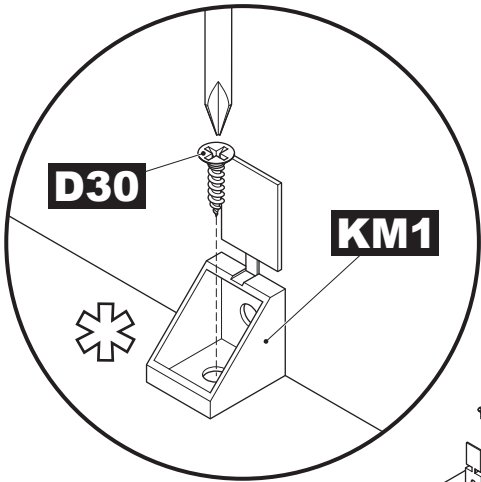
D30

D30

D8

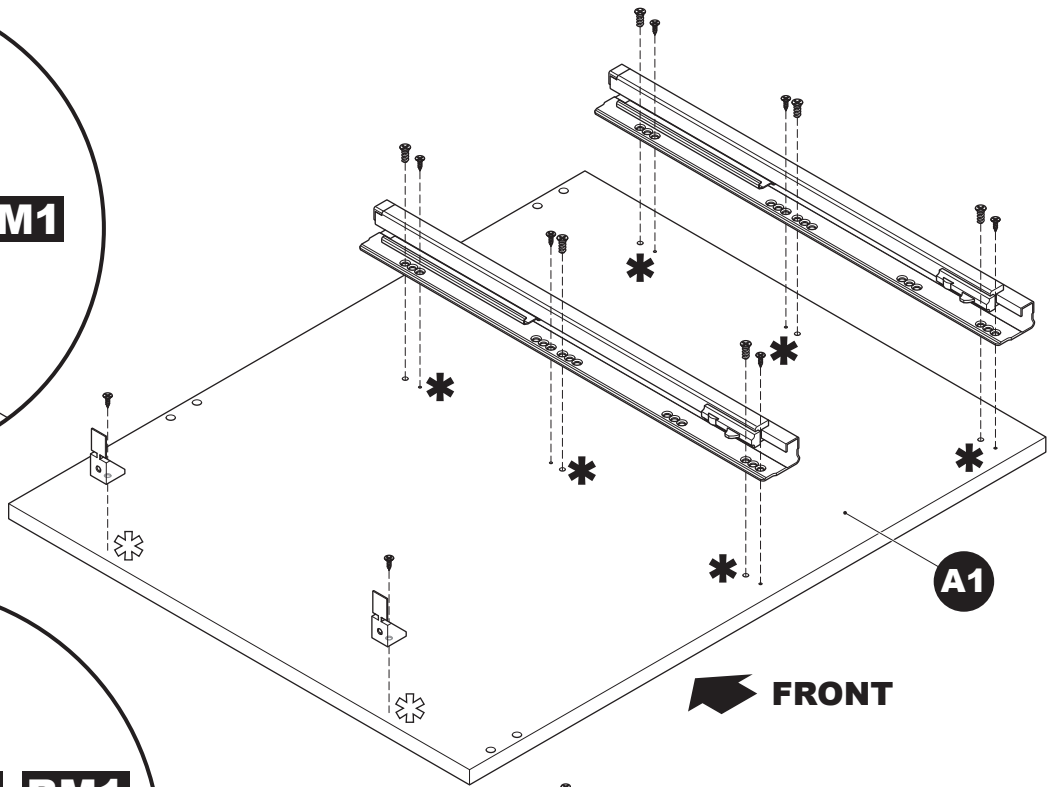


FRONT



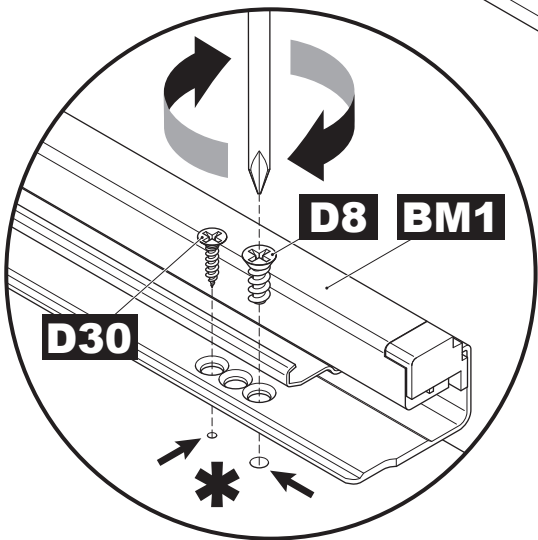
D30

KM1



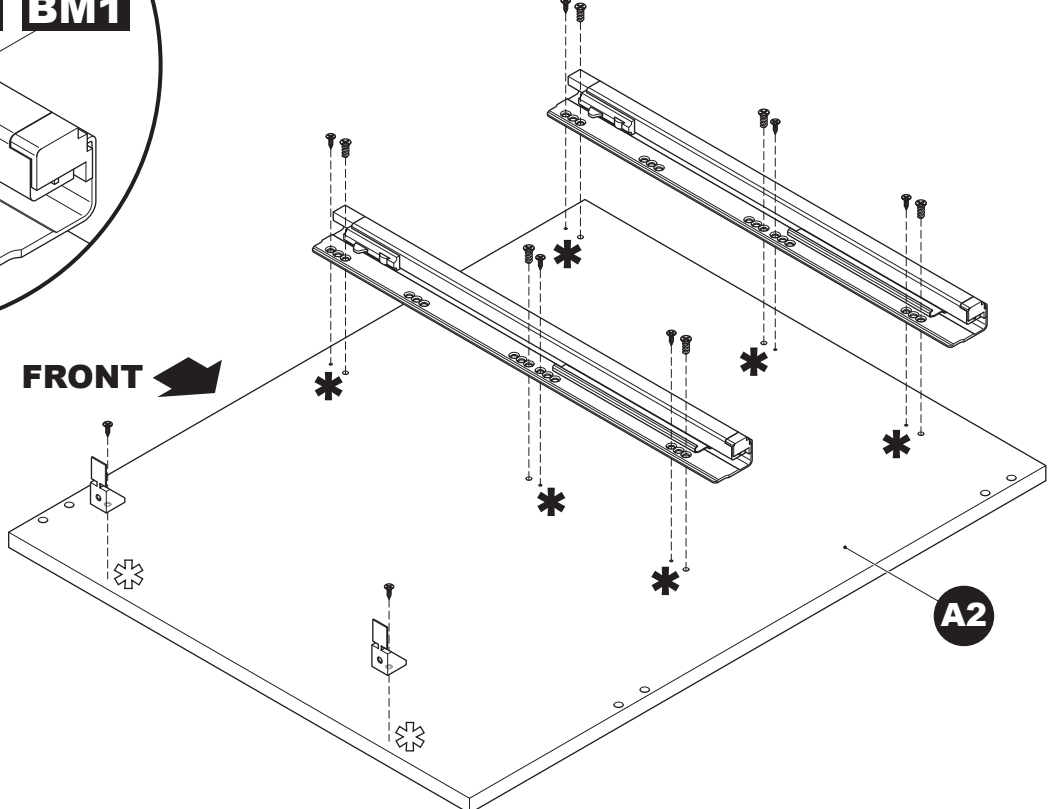
A1

FRONT



D8 **BM1**

D30

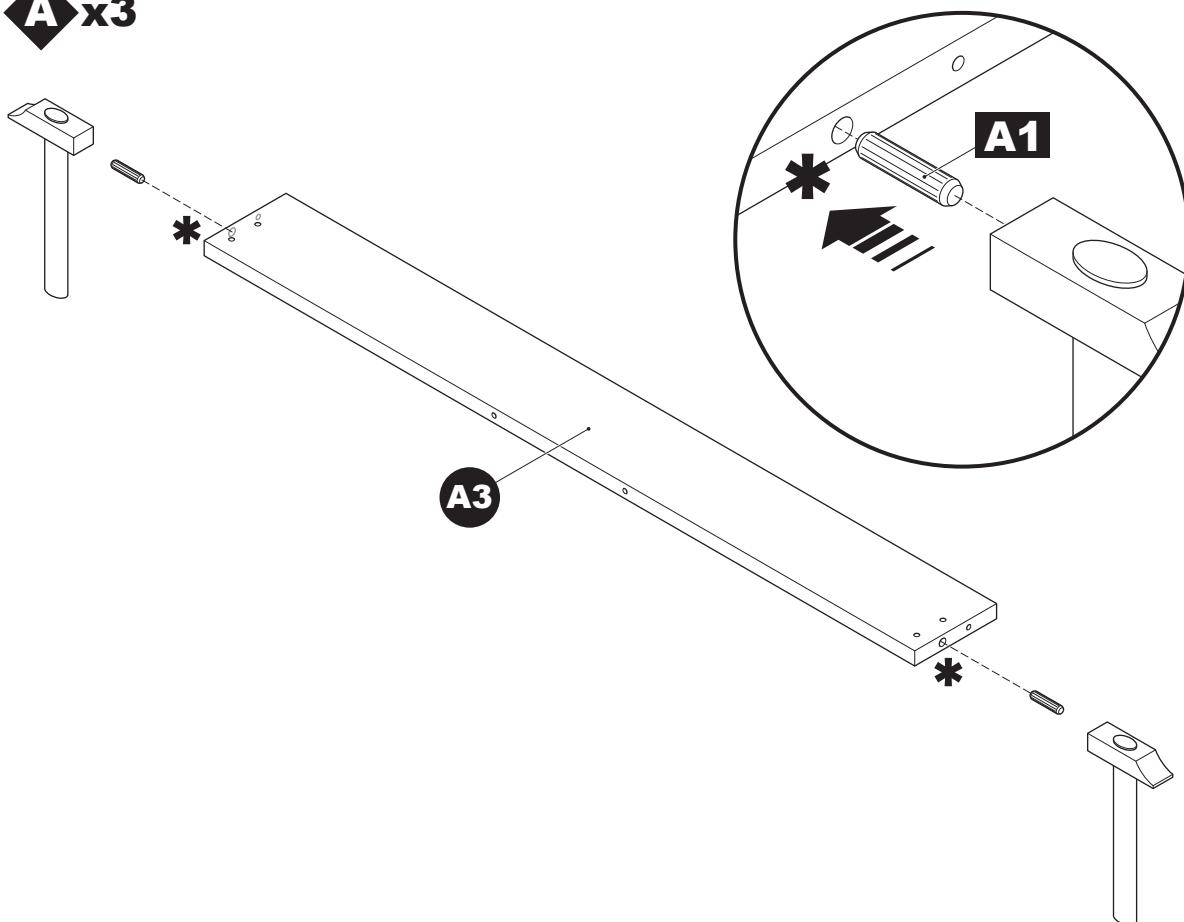


A2

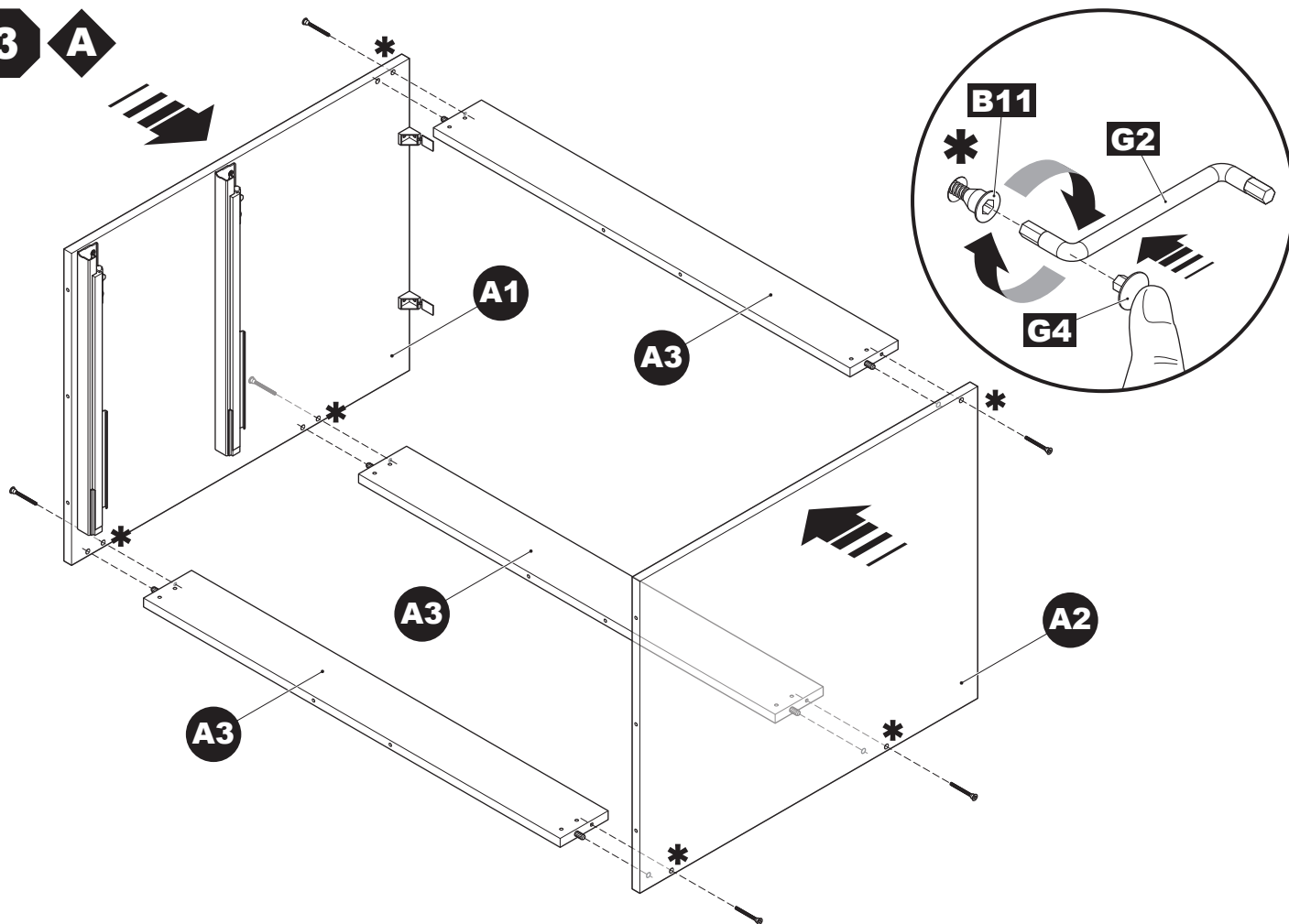
FRONT



2 **A** x3

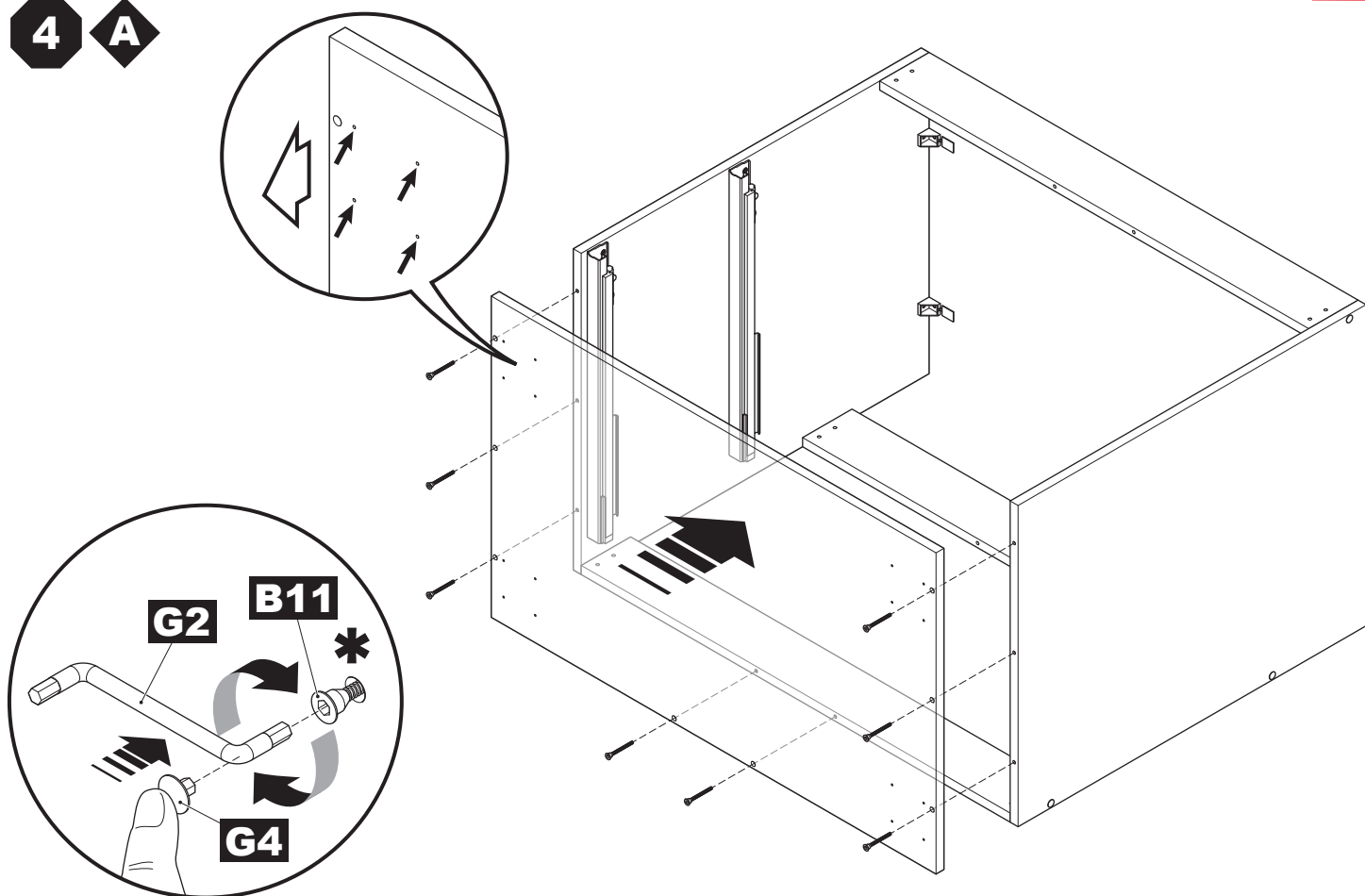


3 **A**

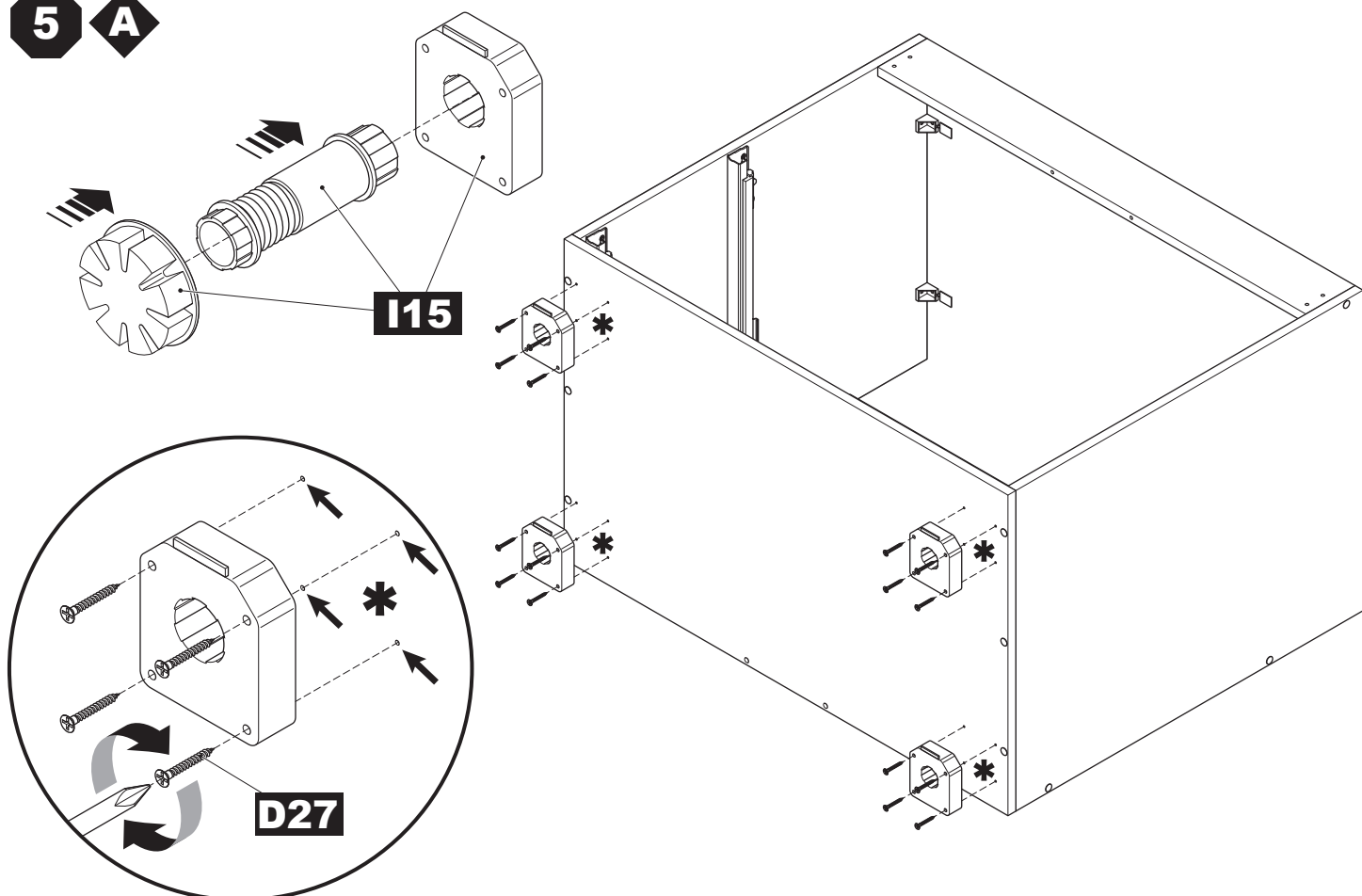




4 **A**

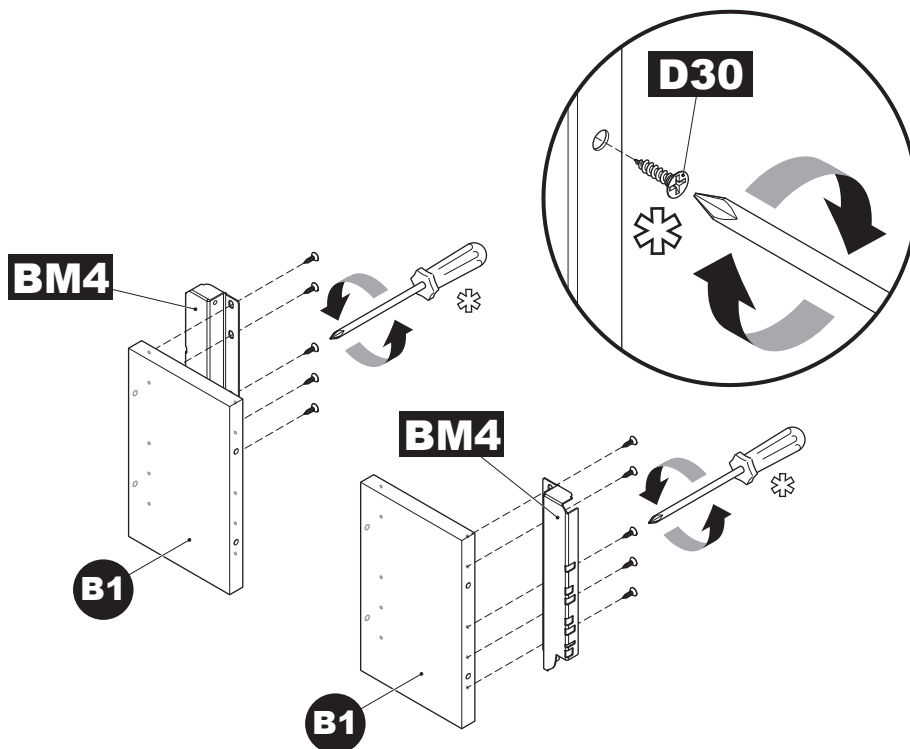


5 **A**

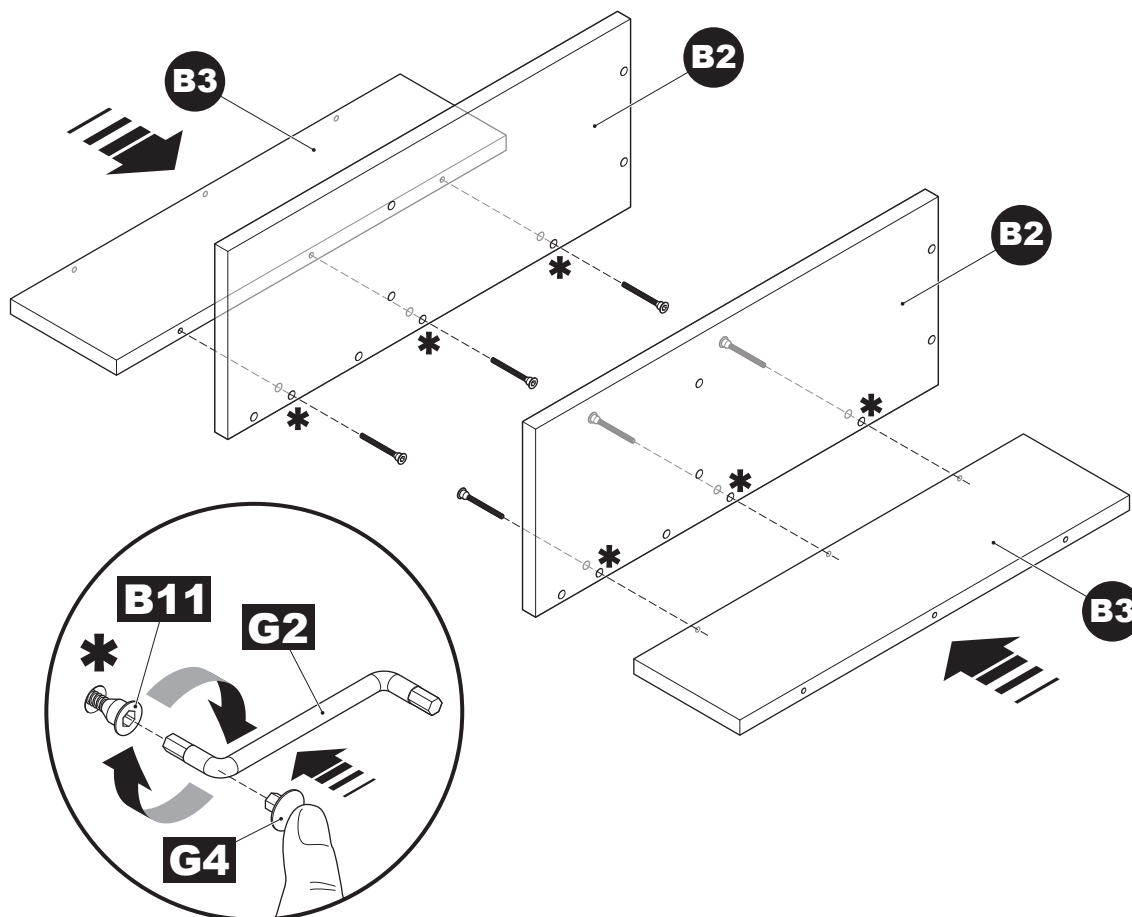




1 **B**

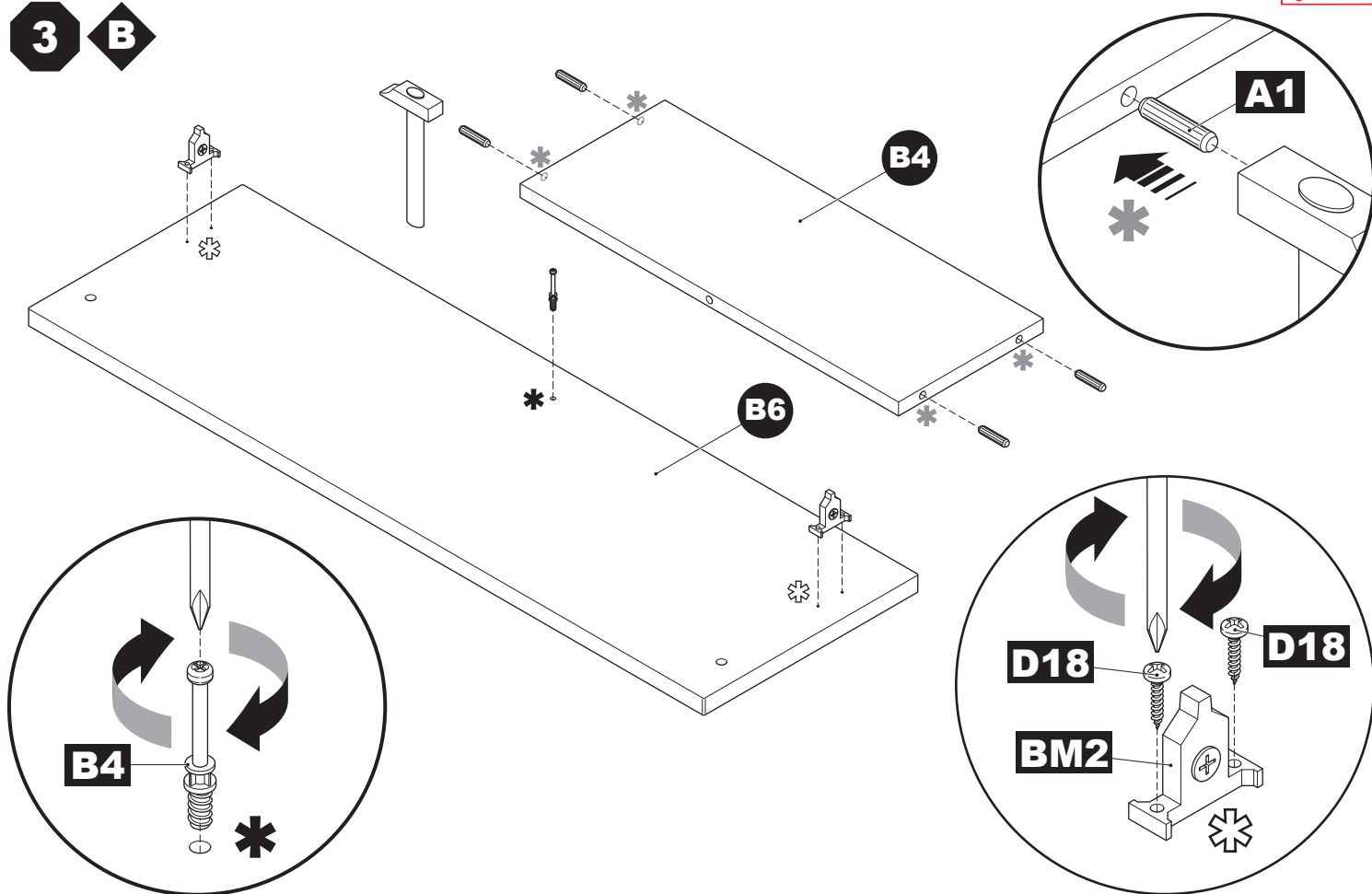


2 **B**

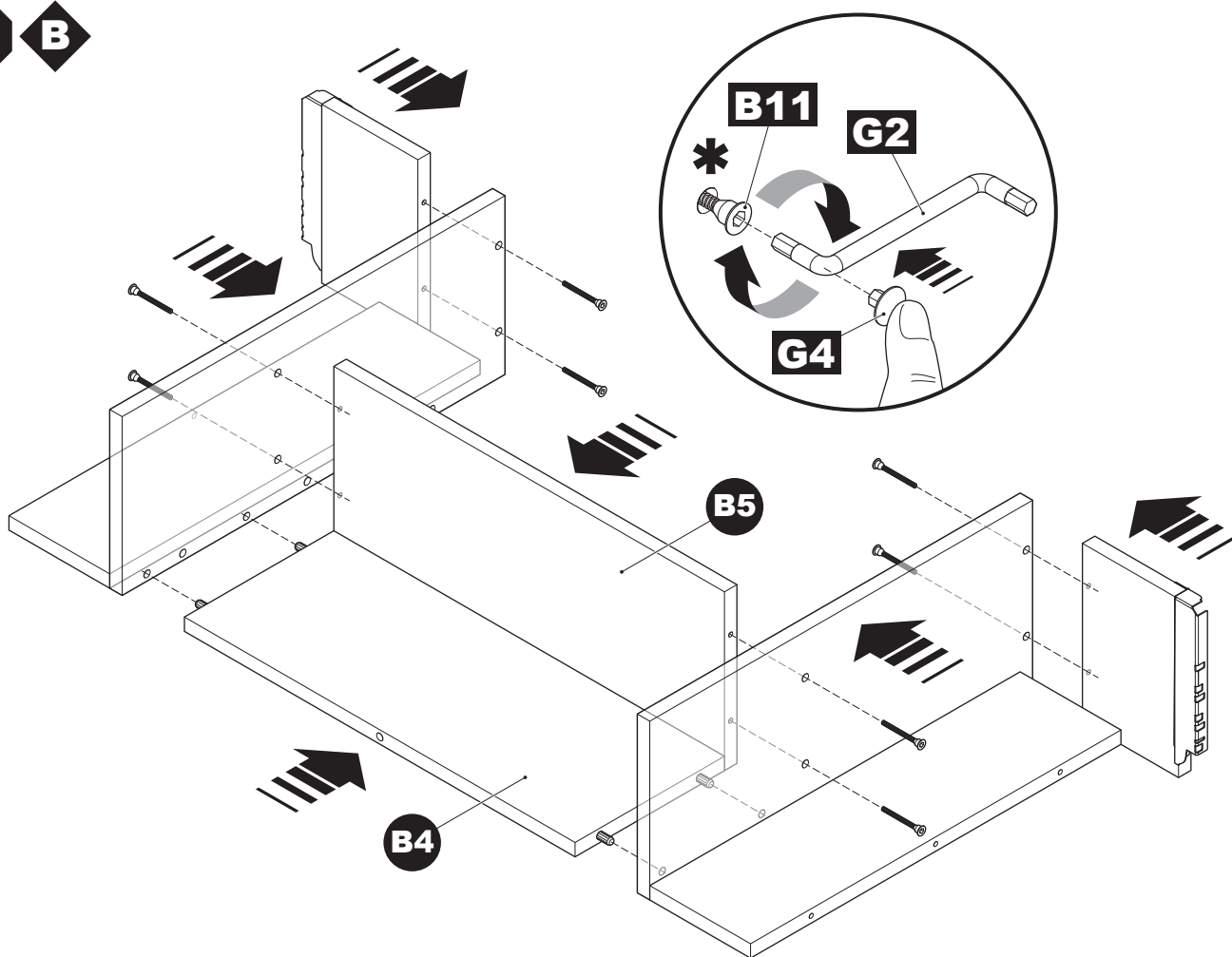




3 **B**

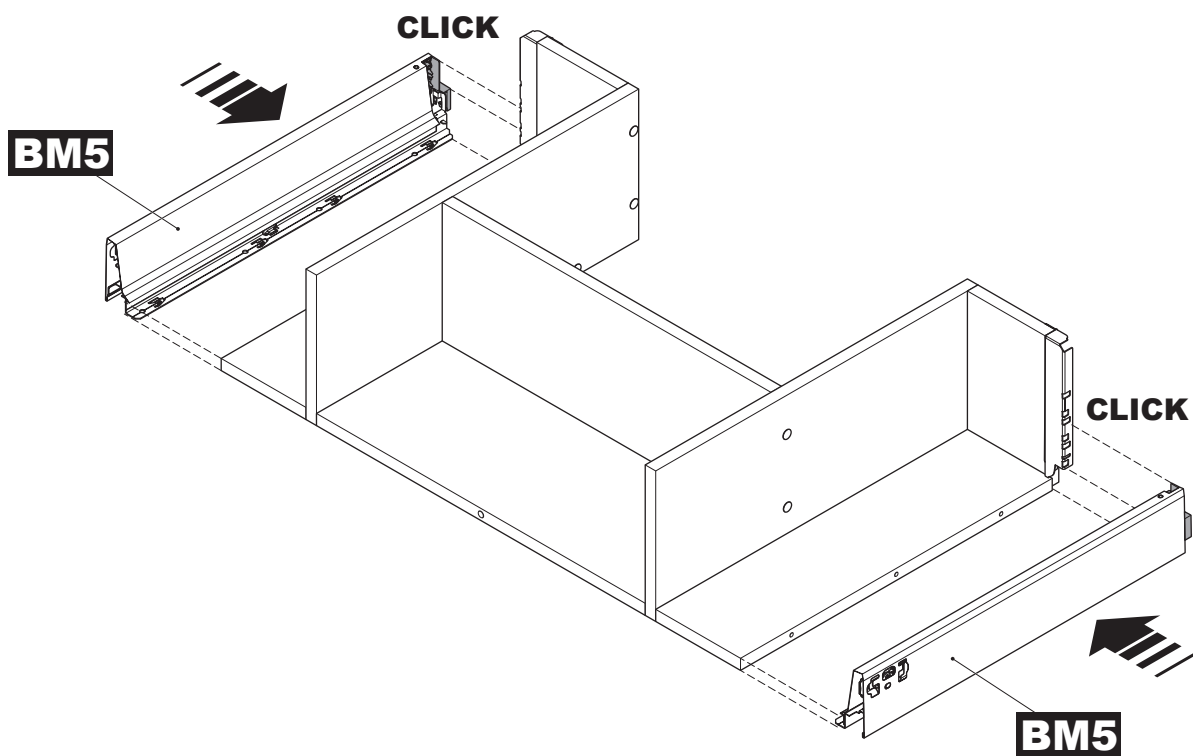


4 **B**

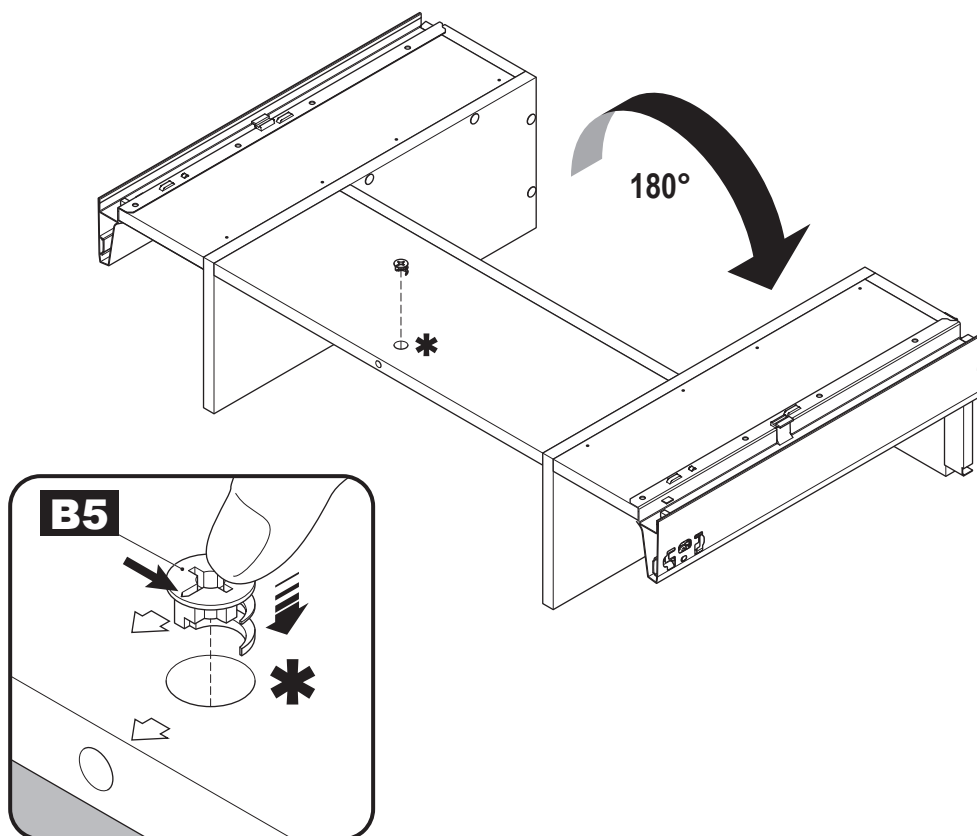




5 **B**

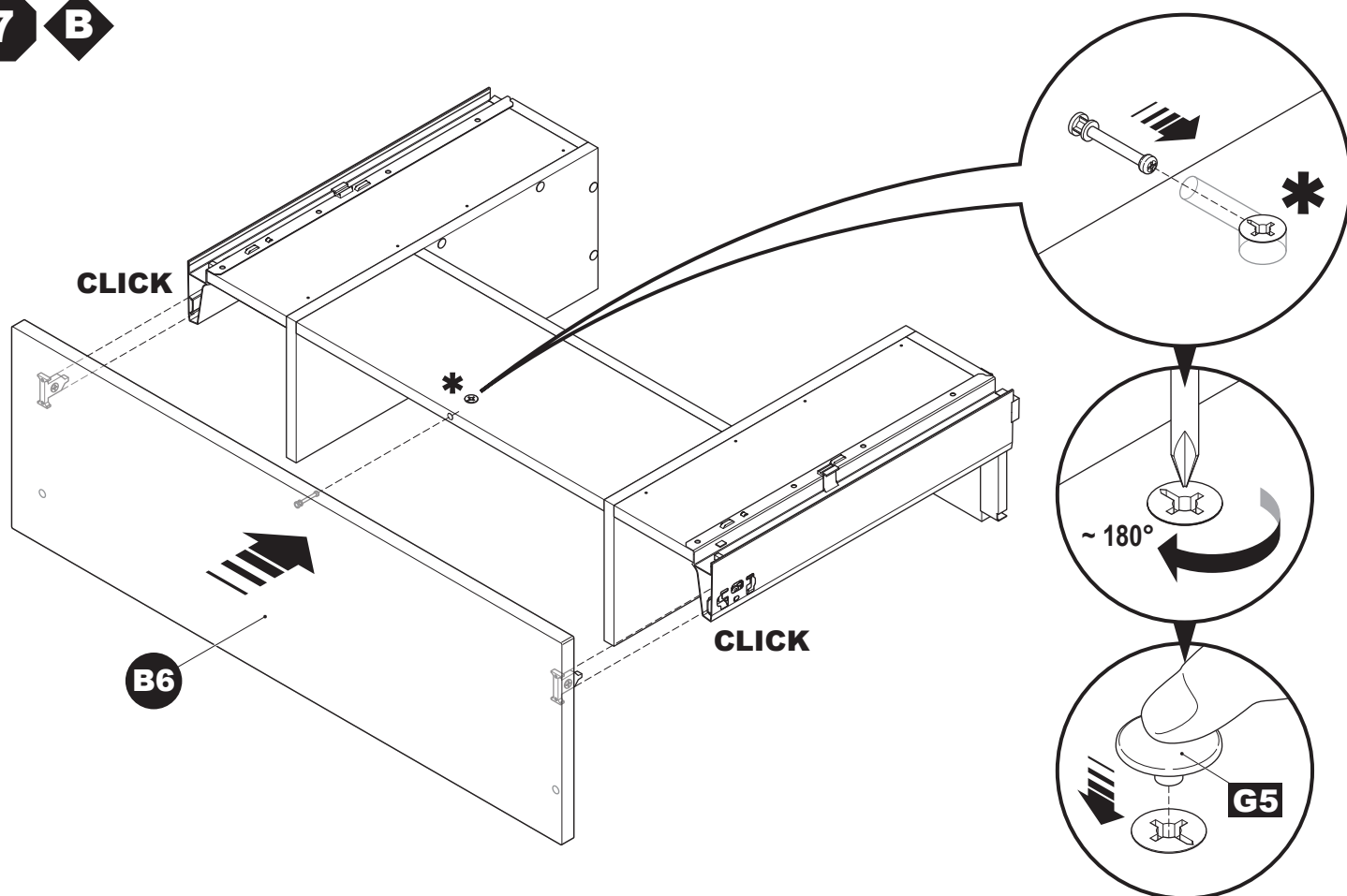


6 **B**

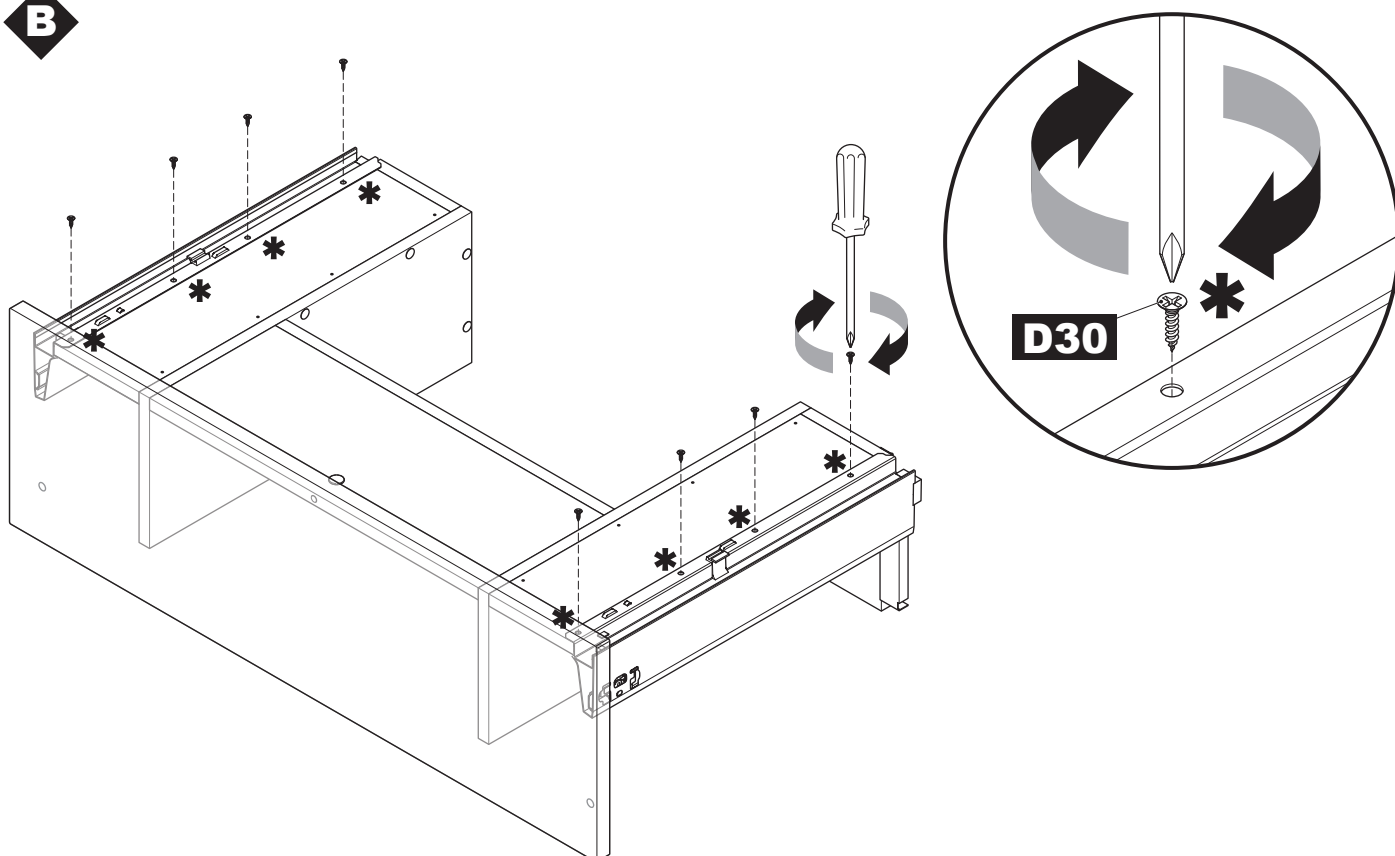




7 **B**

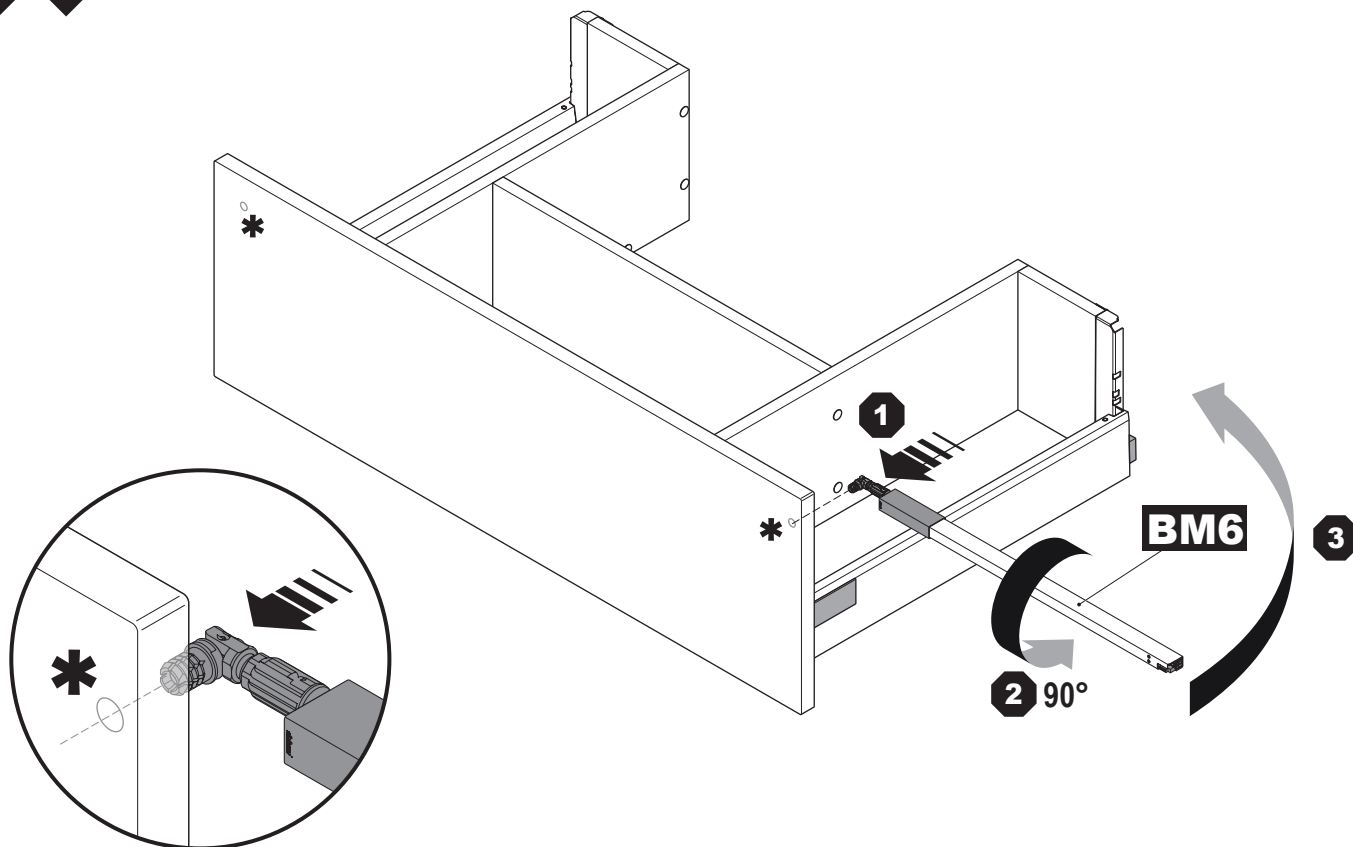


8 **B**

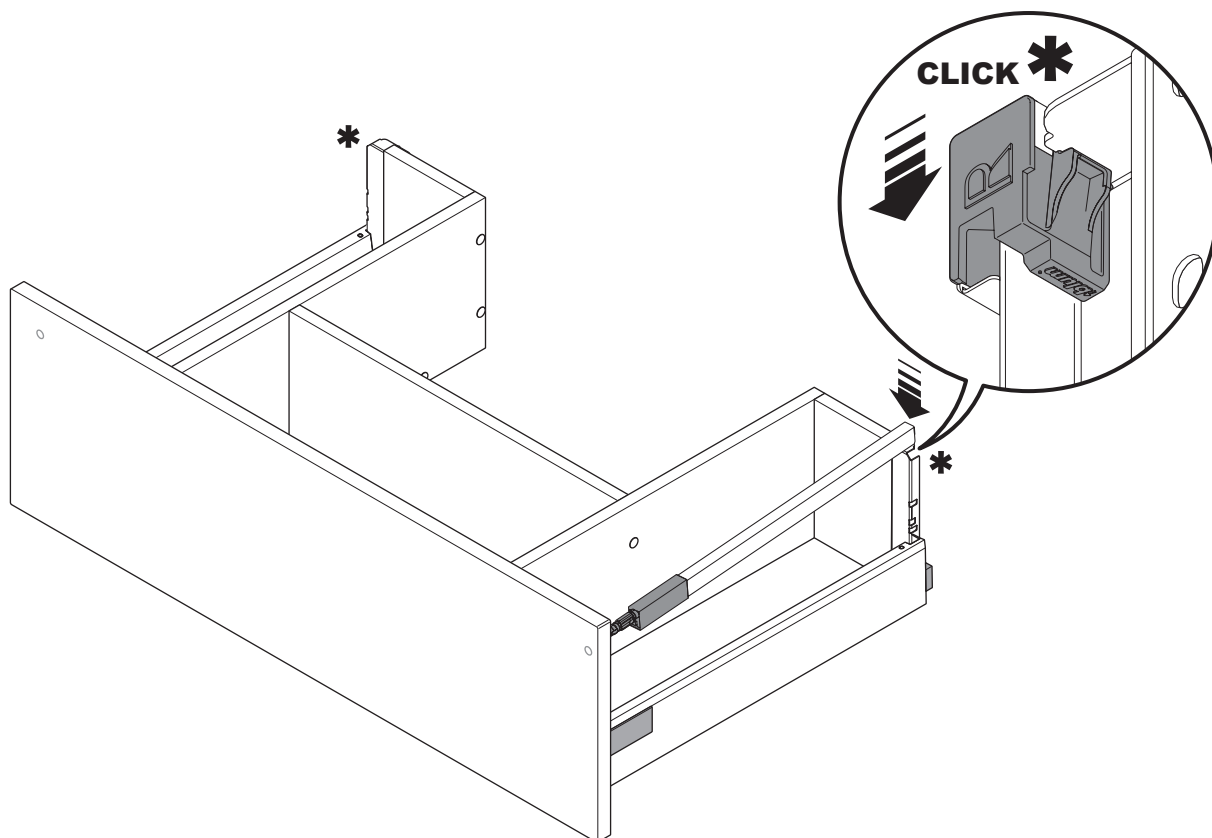




9 **B**

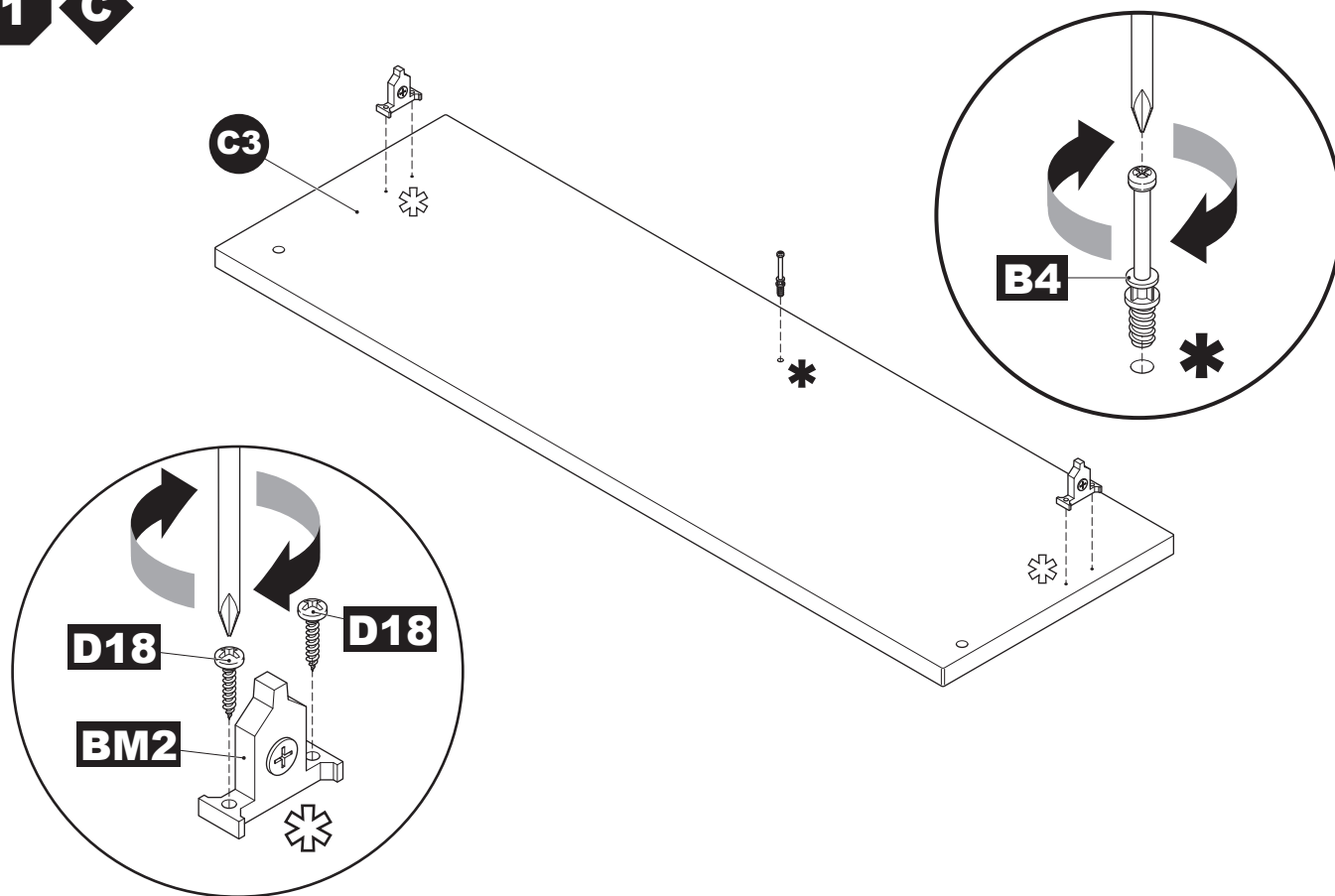


10 **B**

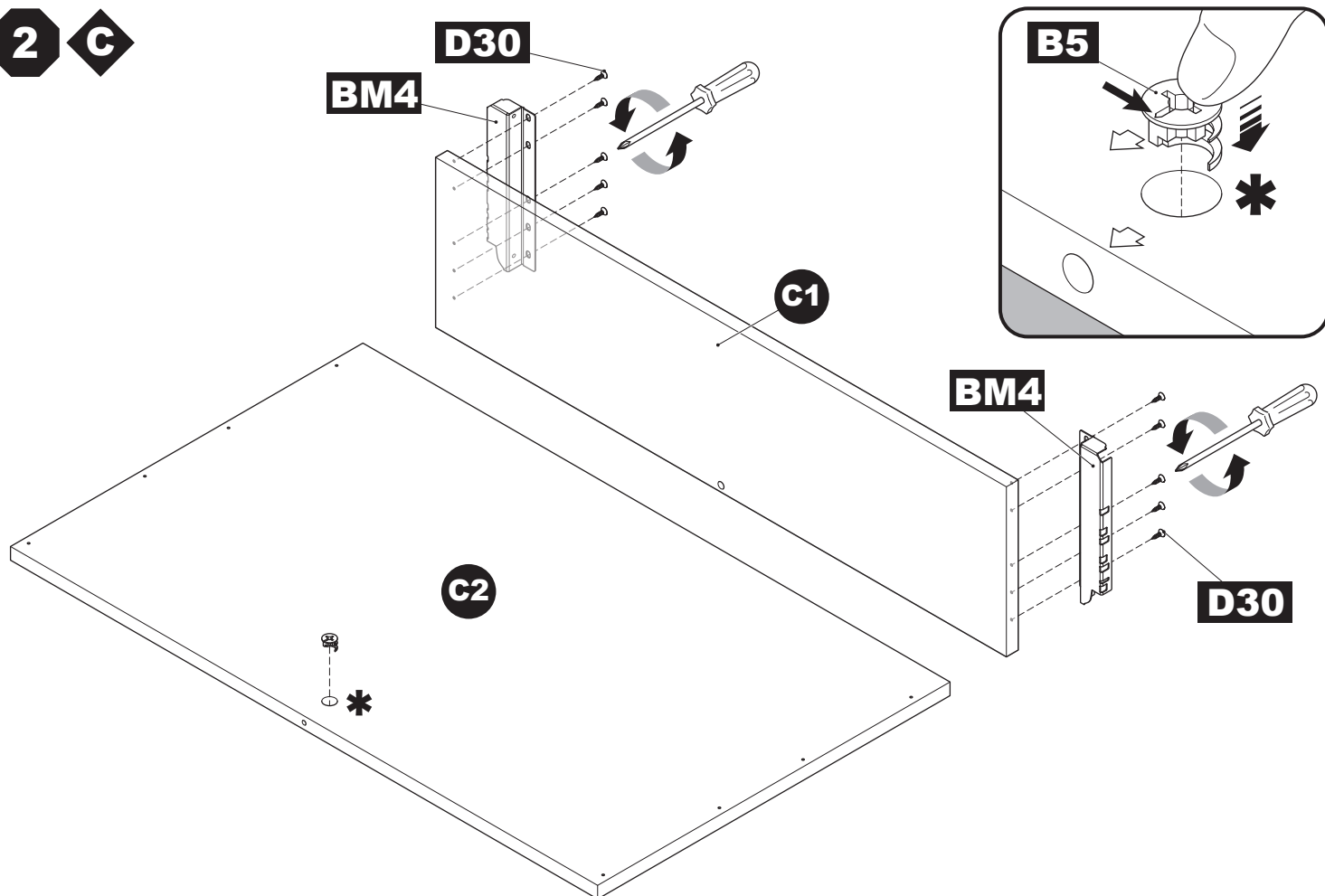




1 **C**

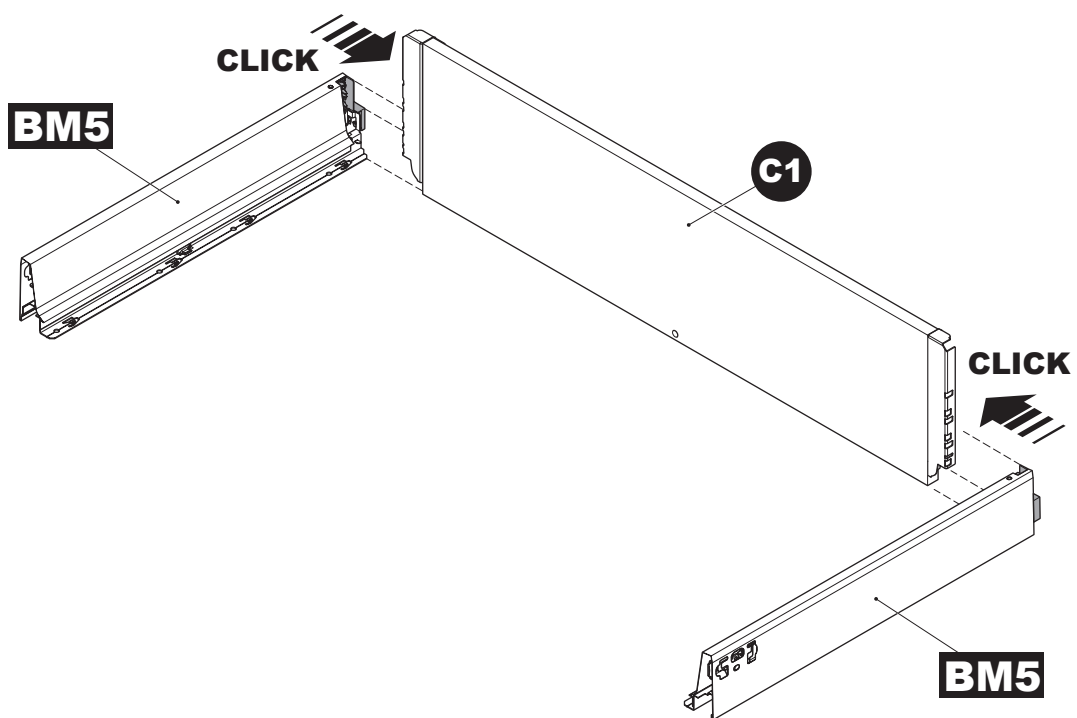


2 **C**

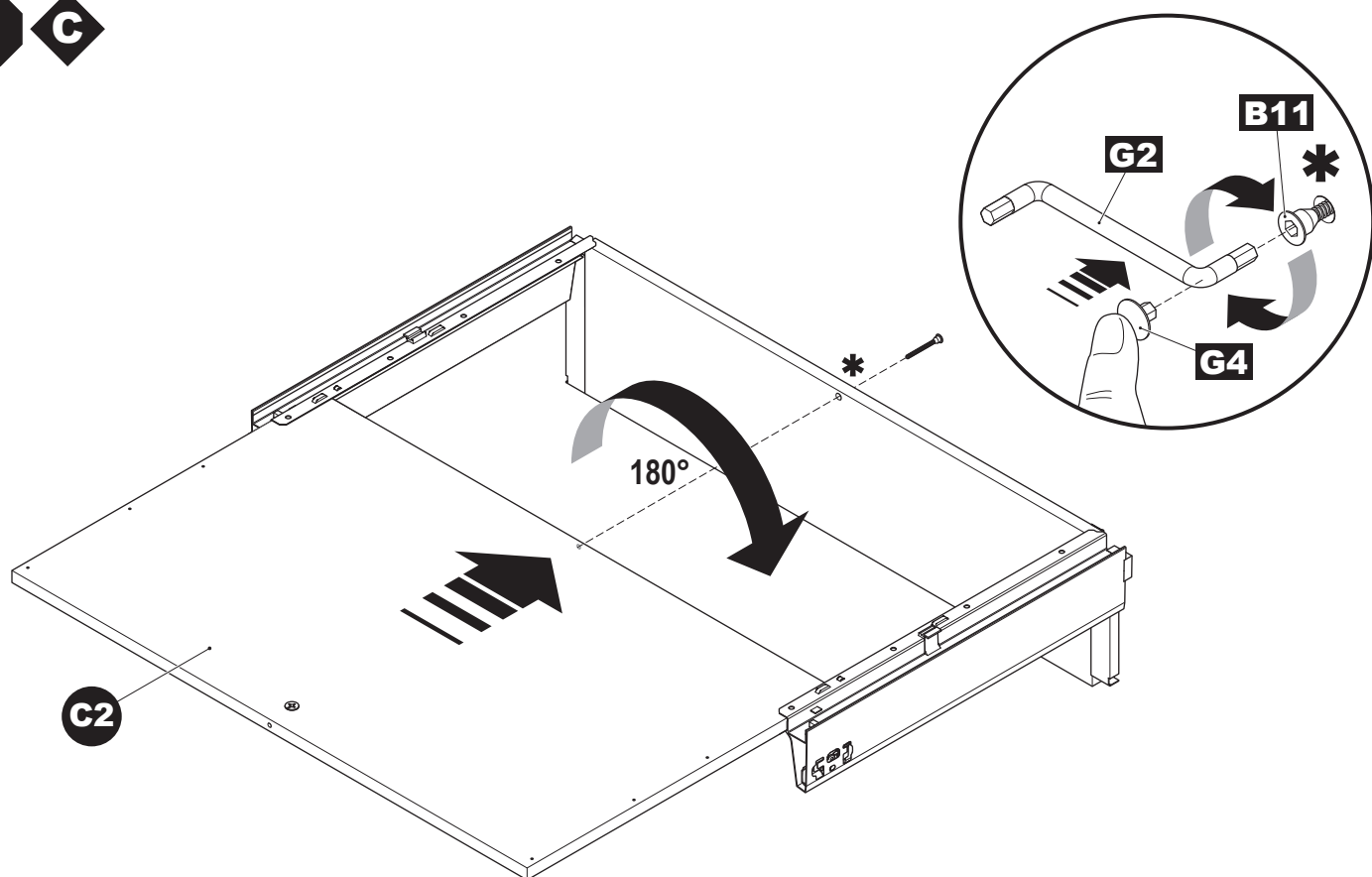




3 **C**

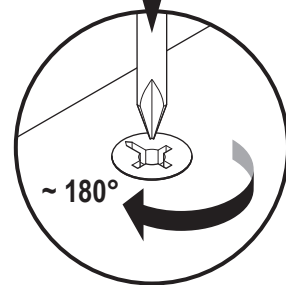
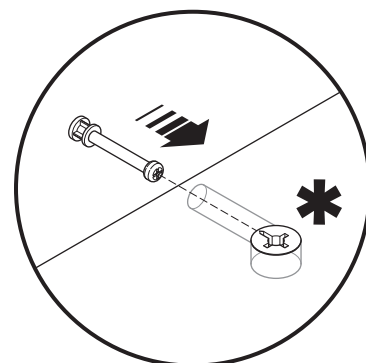
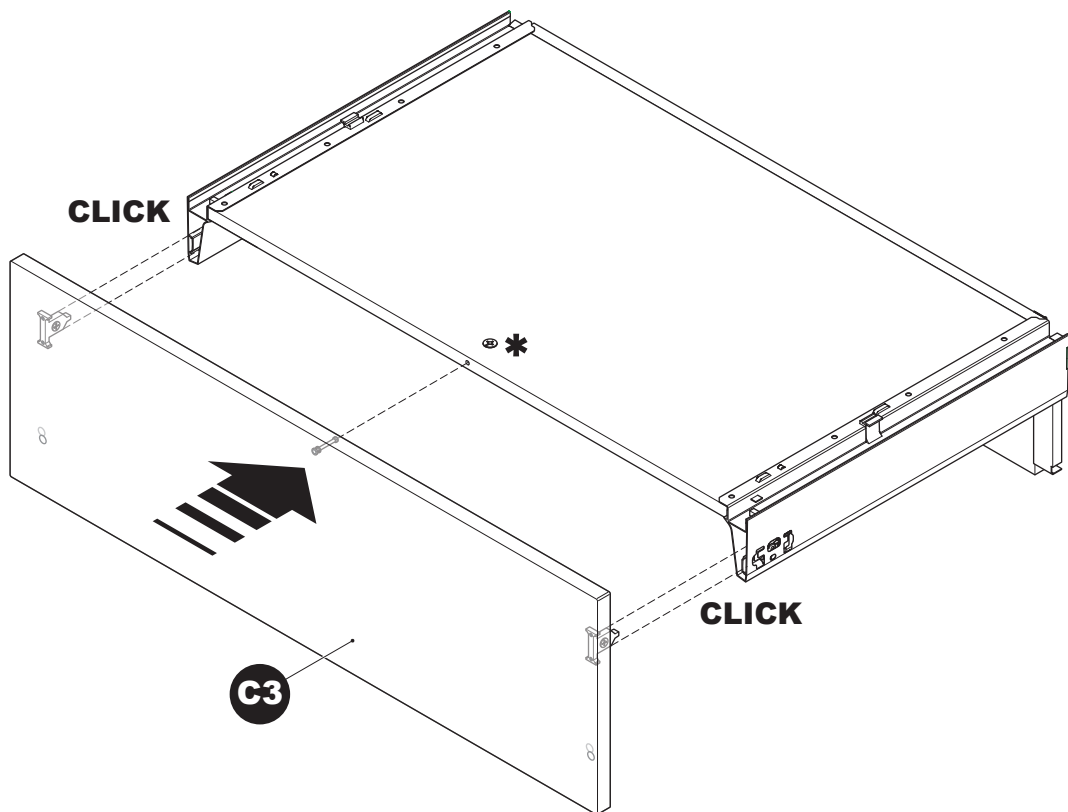


4 **C**

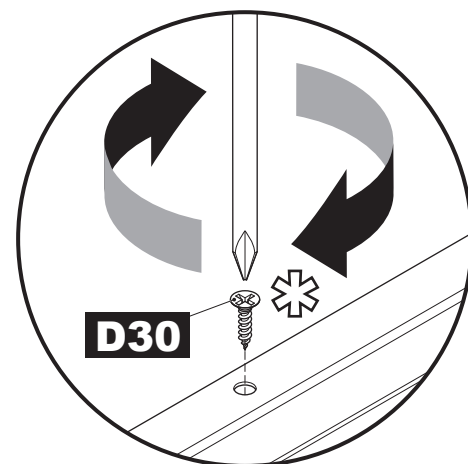
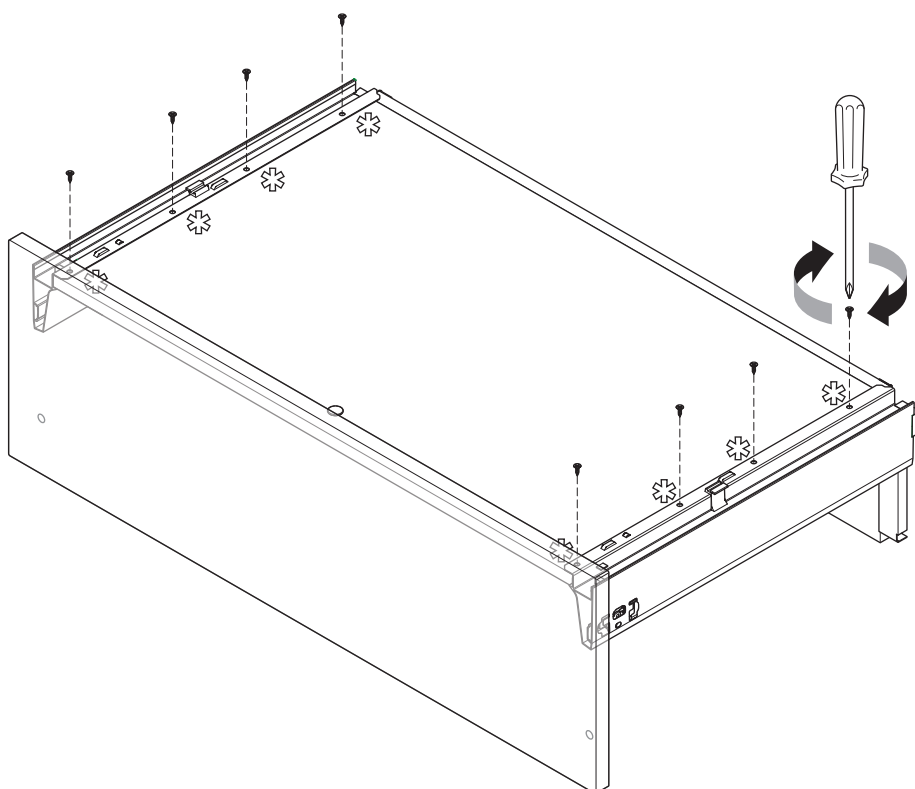




5 **C**

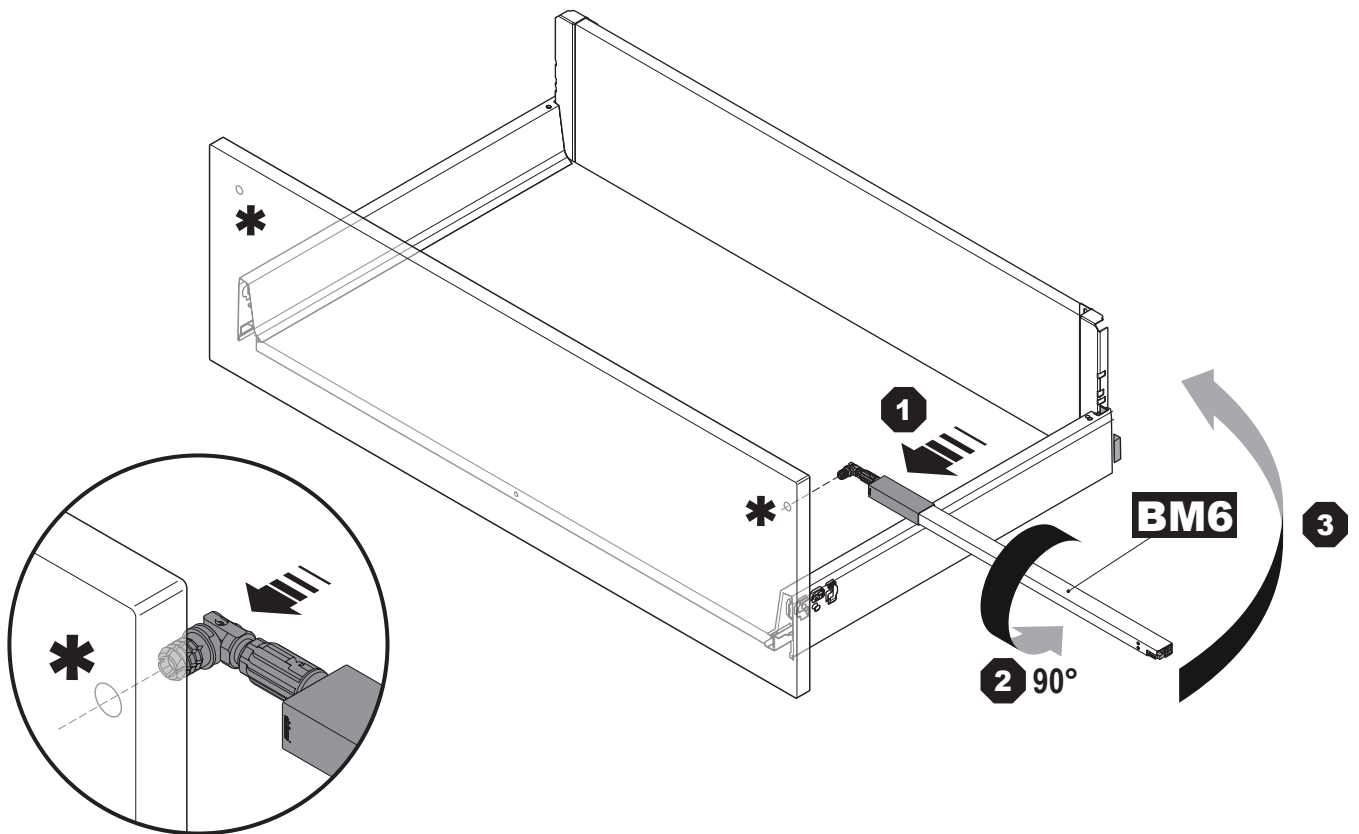


6 **C**

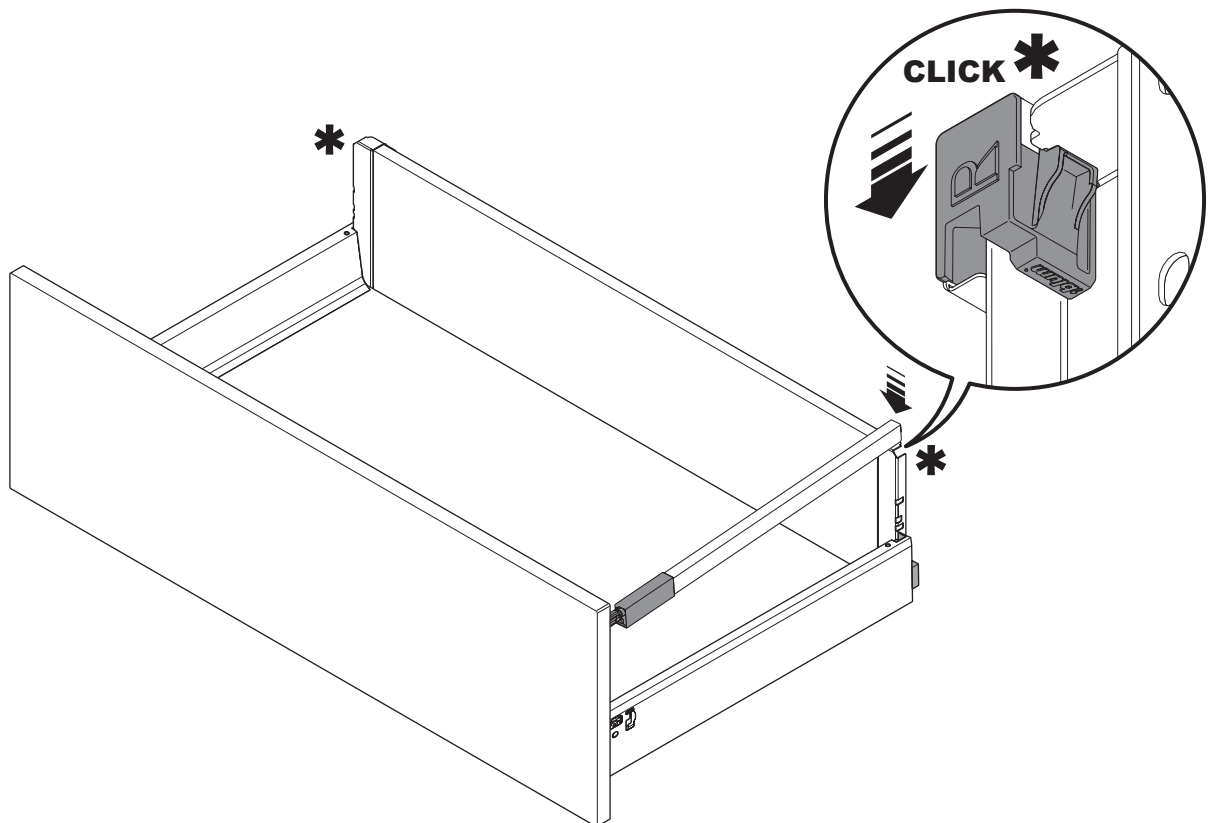




7 **C**

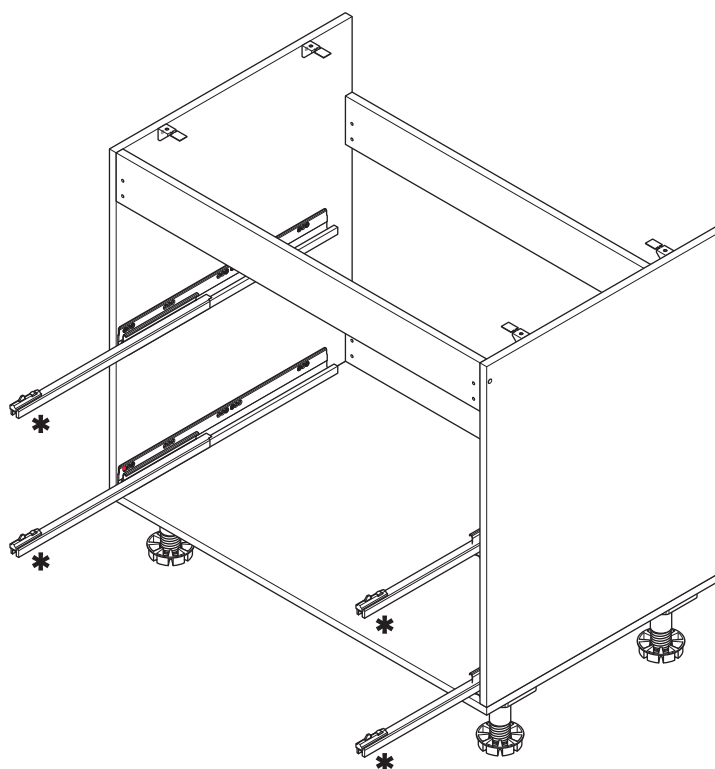
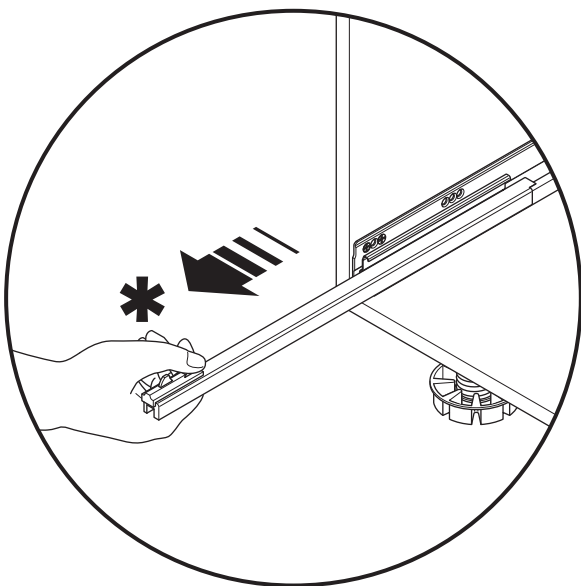


8 **C**

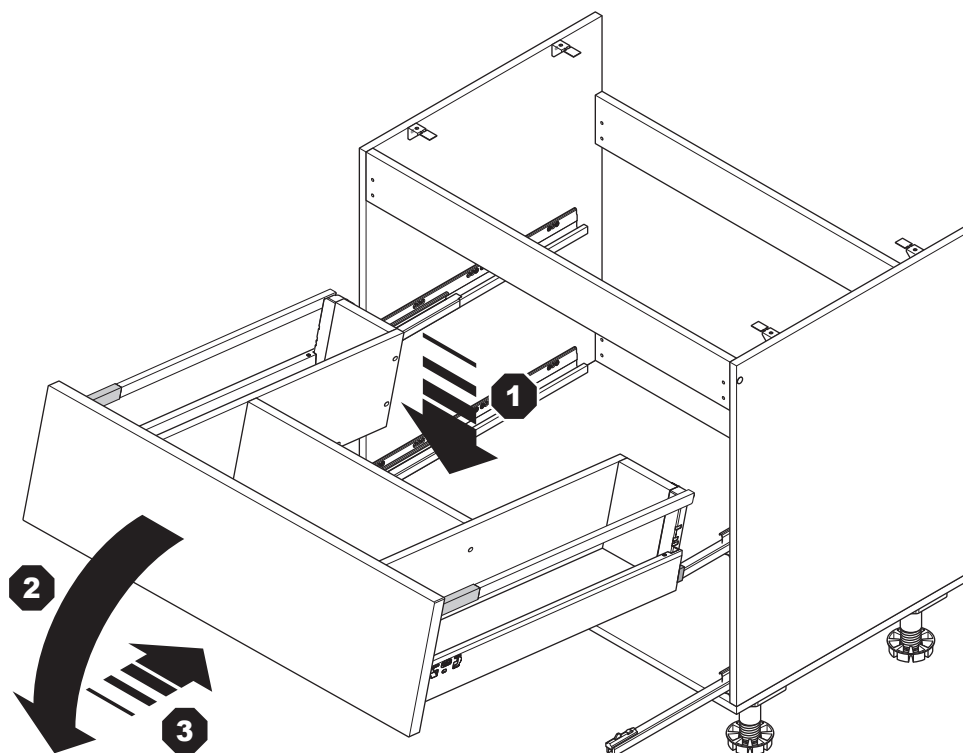




1 **A** **B** **C**

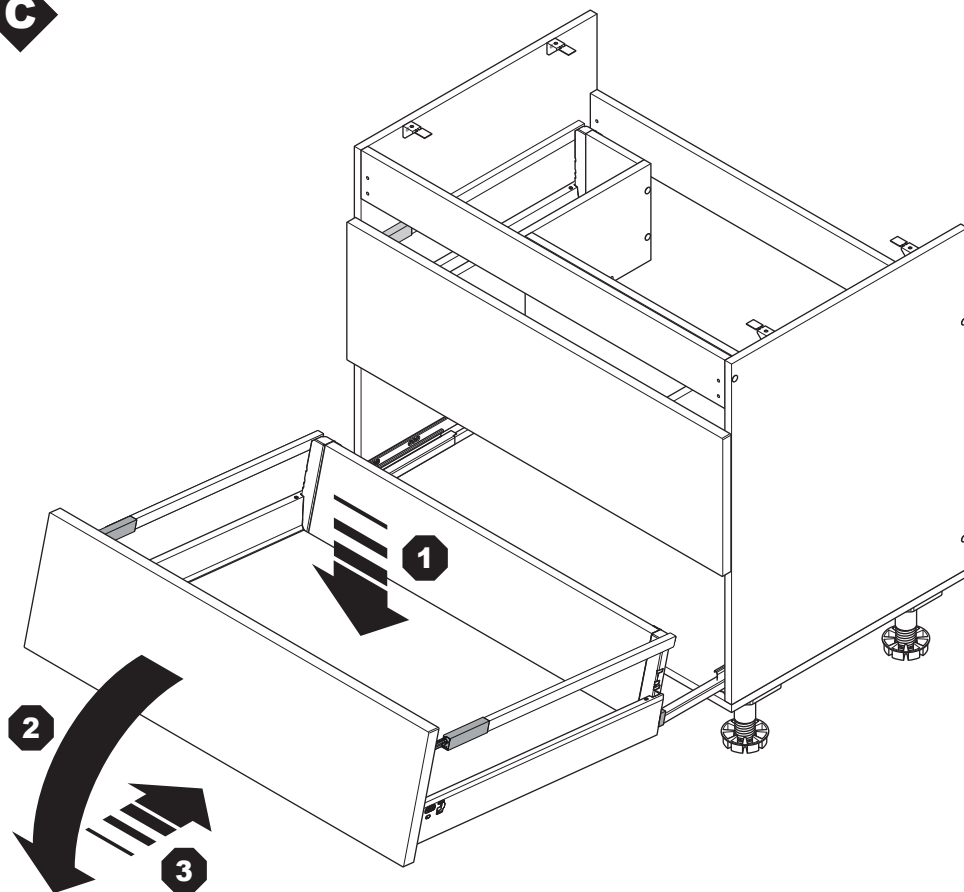


2 **A** **B** **C**

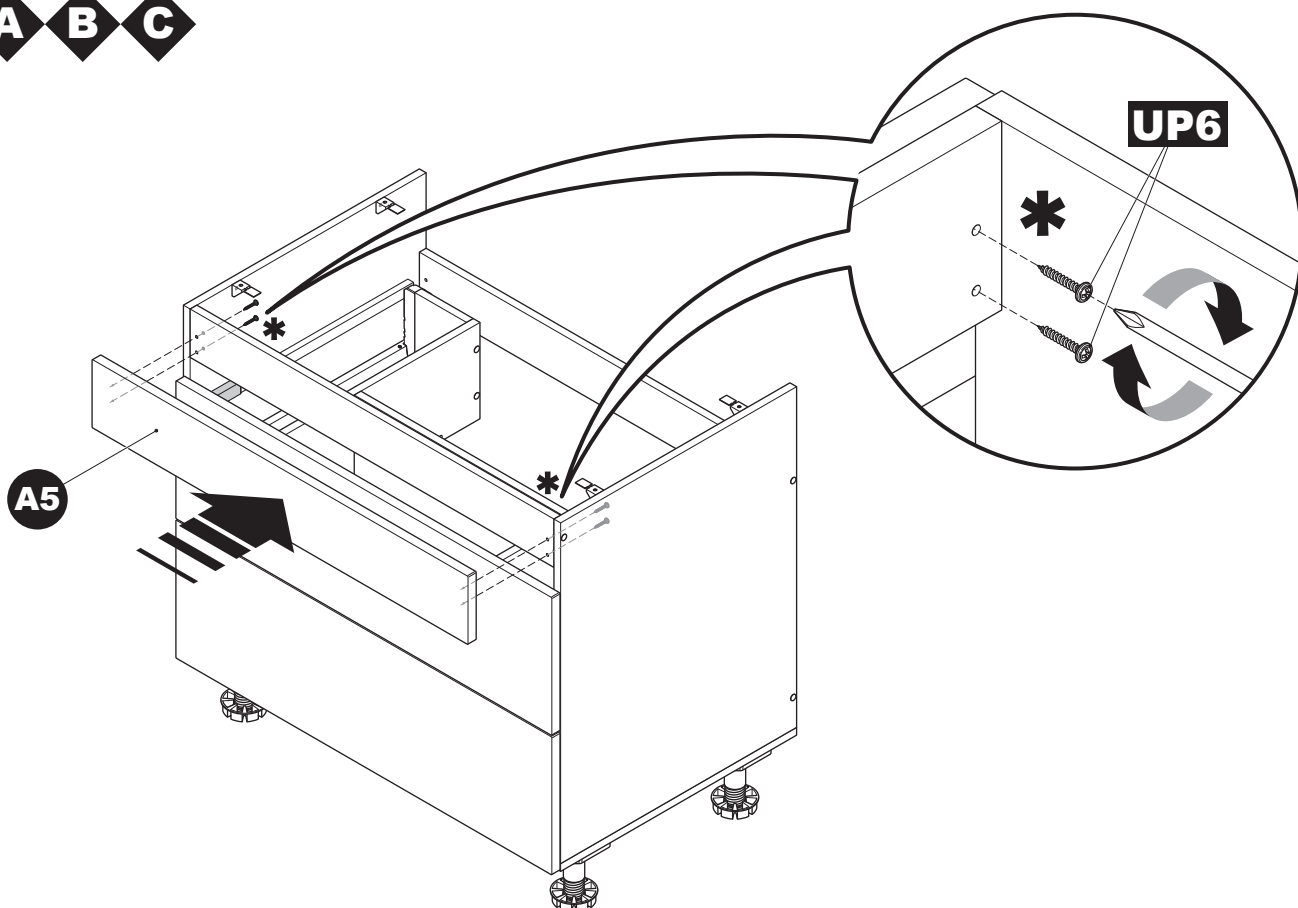




3 **A** **B** **C**

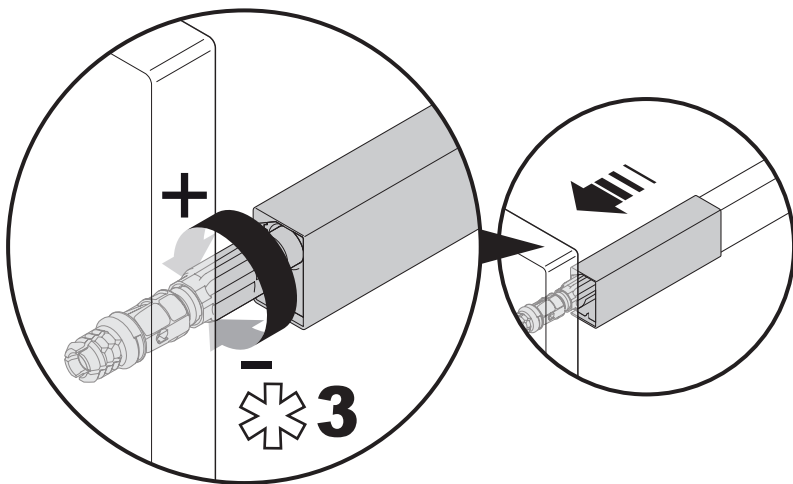
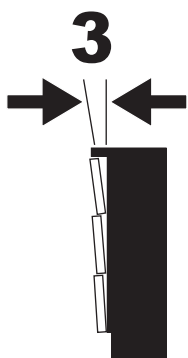
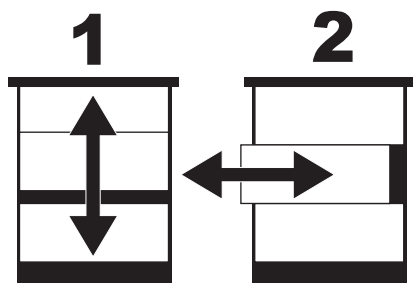
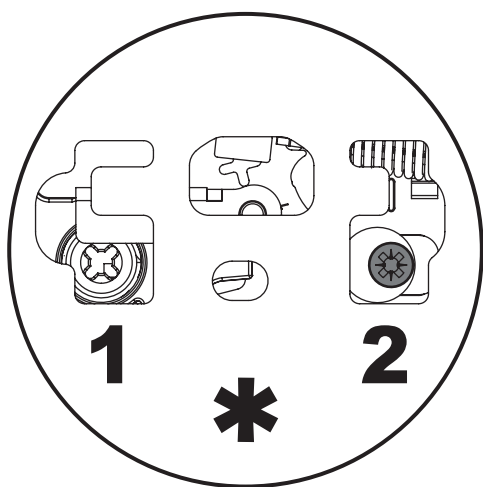
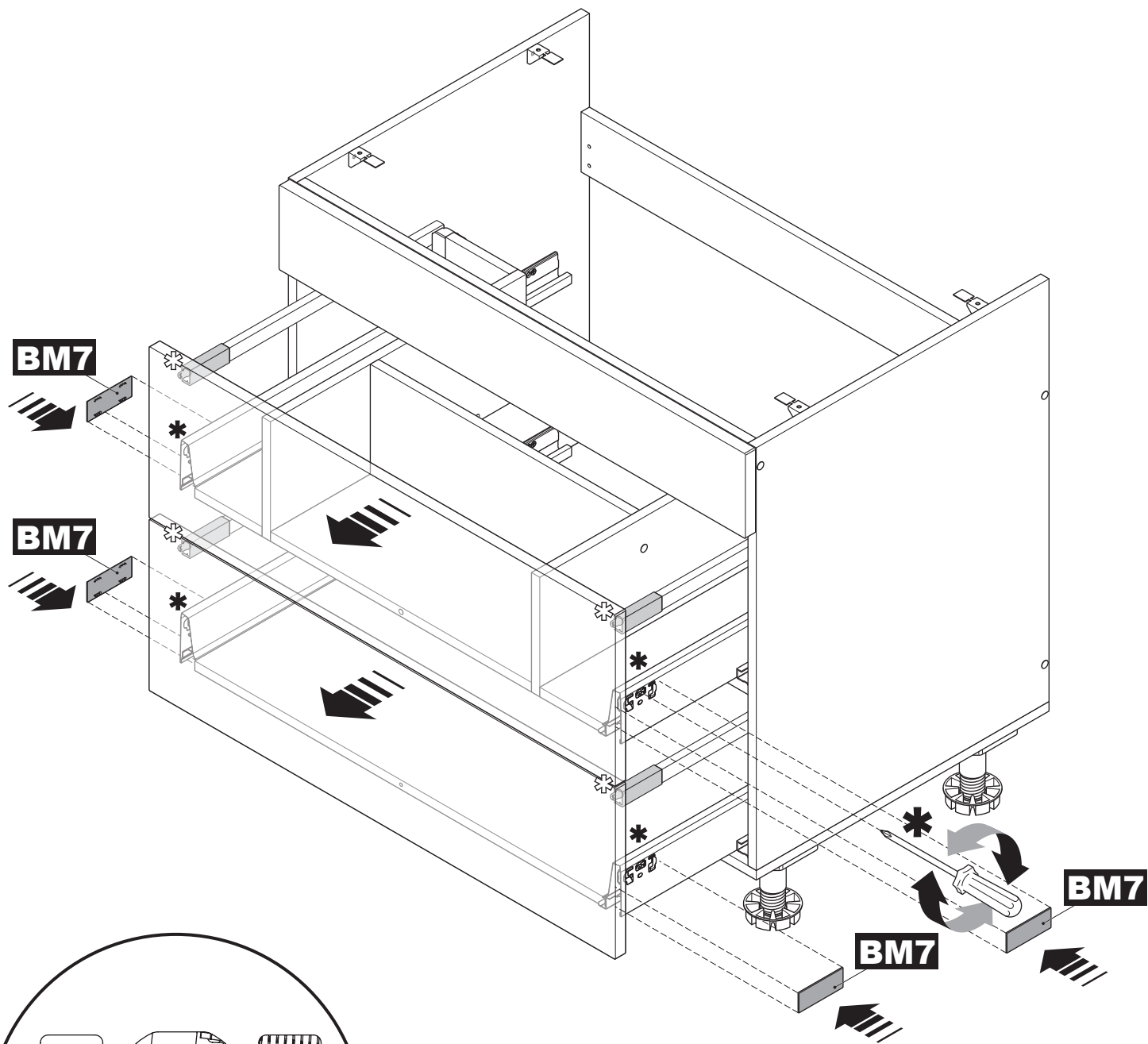


4 **A** **B** **C**



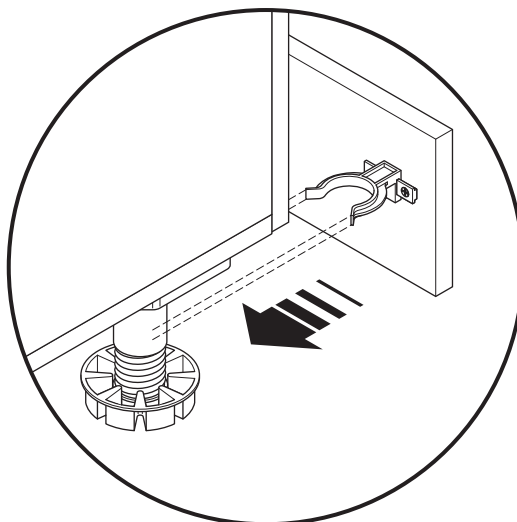
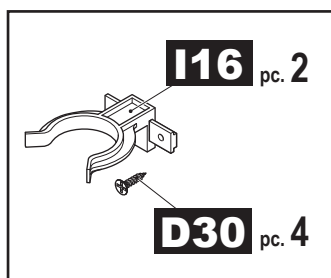
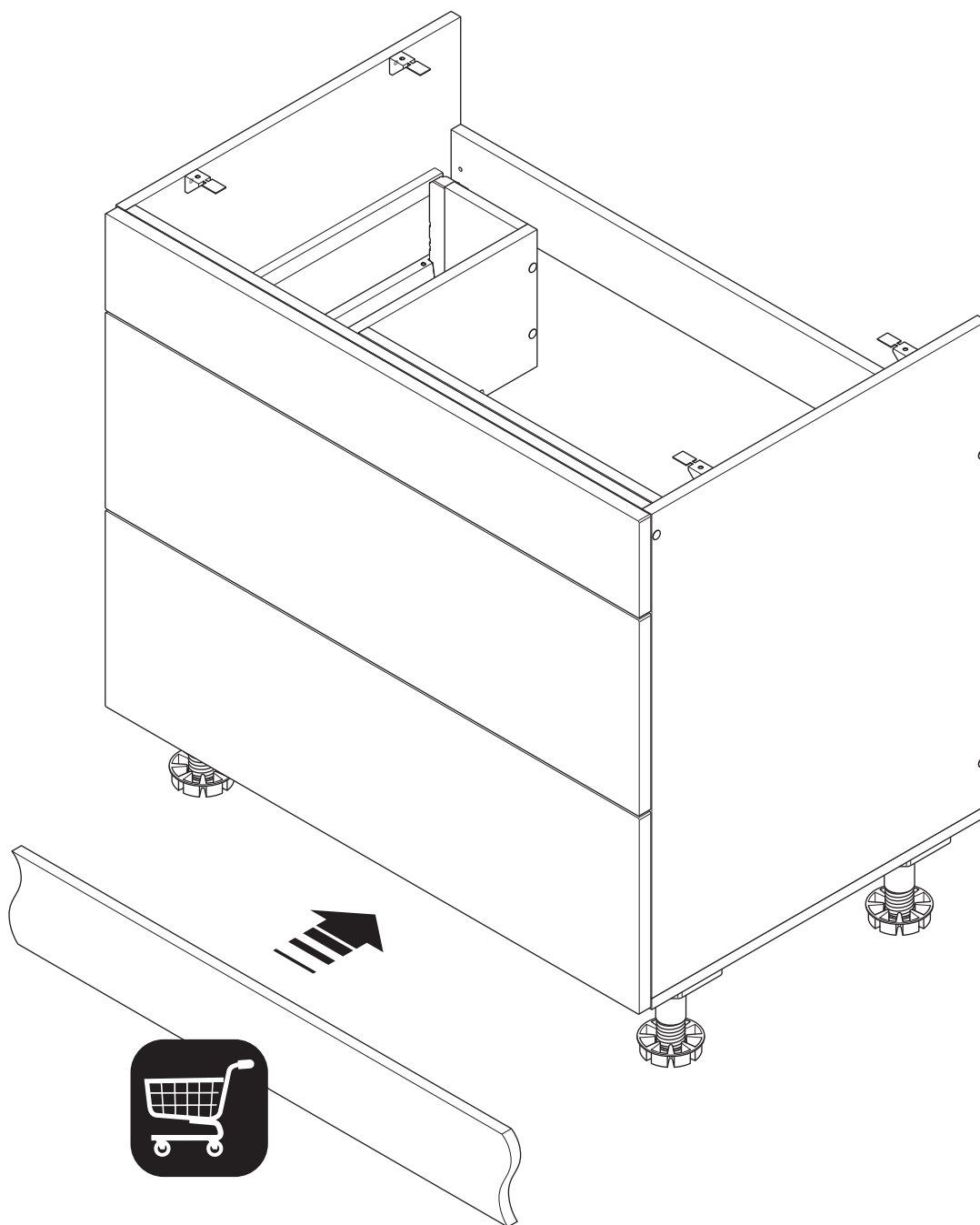


5 **A** **B** **C**





6 **A** **B** **C**





Kitchen Cabinets and Stones Limited