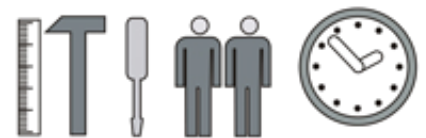
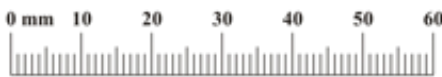
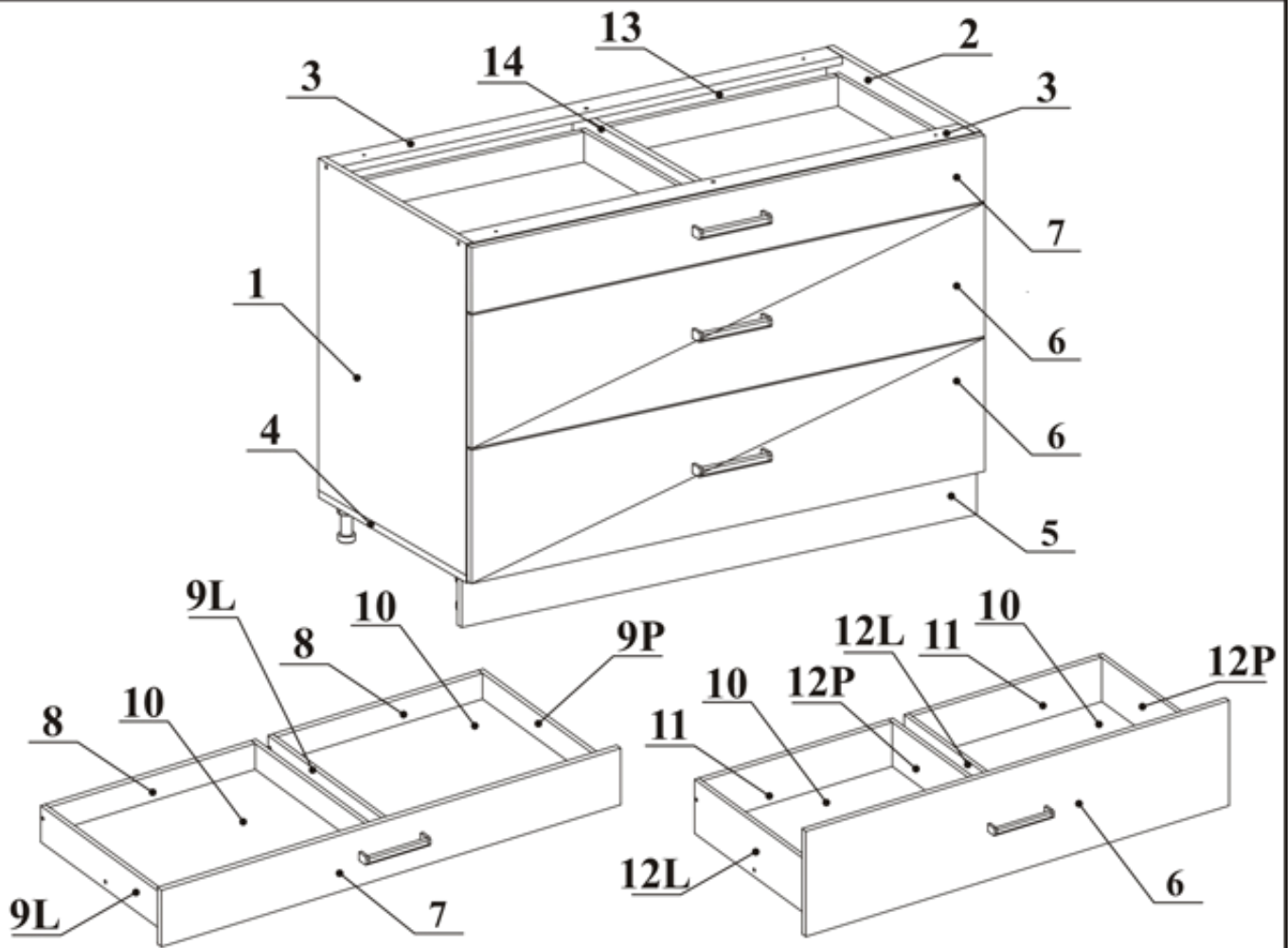


## Assembly Instructions for cabinets: S90SZ3, S120SZ3 EXEL

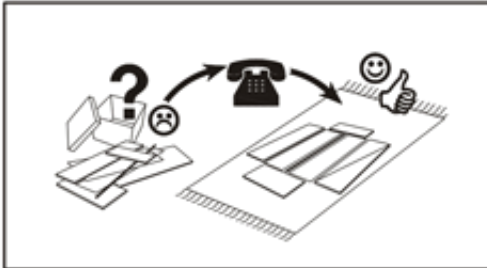


120 min

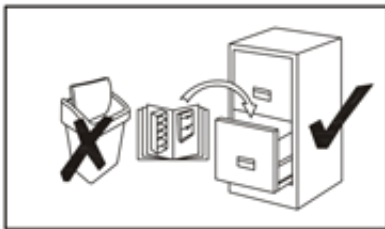
Check all the items are in your box according to the list on this manual. If you are missing anything, please check all other boxes first and then send us an email with a list of the parts you need.

A1 X66 Ø8x36	B7 X12 Ø15x10,3	B4 X12	G5 X12	I13 X6 L-150 mm	I14 X3
B11 X39 Ø7x50	G4 X39	D10 X54 USØ3,5x13	D50 X24 ESØ6,3x10	B3 S90SZ3X32 S120SZ3X38 Ø1,4x25	ZN X3
D26 X6 M4x22	G2 X1	UP6 X4 UPØ4x30	H7 X6 L-500mm.	G16 X6	D9 X6 USØ3x20

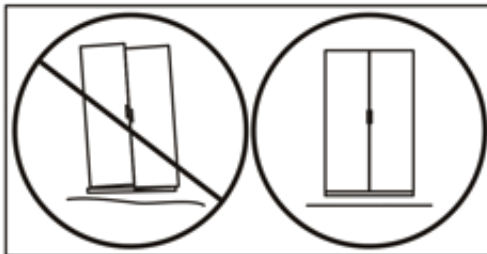
S90SZ3,S120SZ3 EXEL



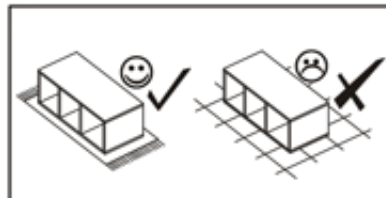
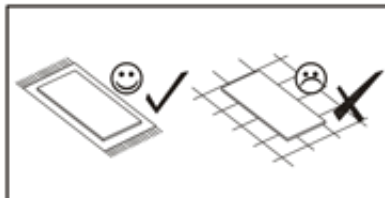
Check all the items are in your box according to the list on this manual. If you are missing anything, please check all other boxes first and then send us an email with a list of the parts you need.



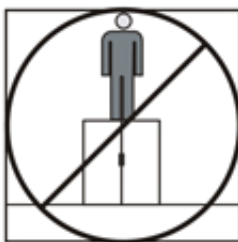
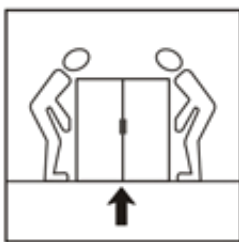
Keep your product assembly manual in a safe place until your kitchen is finished.



Be sure to assemble your cabinets on a flat surface and keep them straight and square.



Assemble your cabinets on a rug or a surface that will not scratch or damage them.



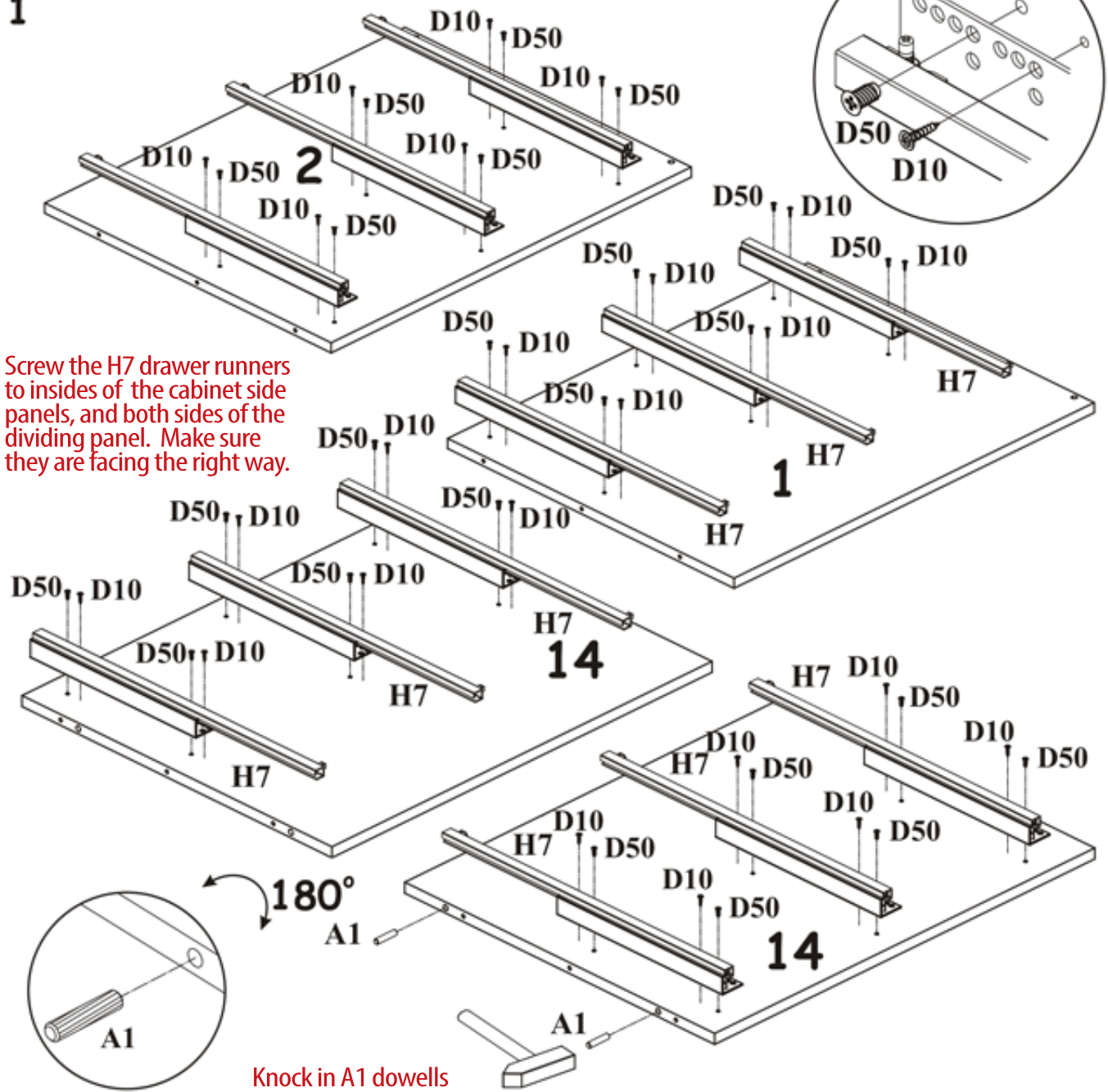
Do not push cabinets into place. Get someone to help you lift the cabinets into place, or you could risk damaging the feet.  
Do not stand on the cabinets.



Once protective film on thermal wrap doors is removed, do not clean for 7 days. This allows the surface to harden. Only clean the cabinets with a small amount of warm water or non harsh chemicals.

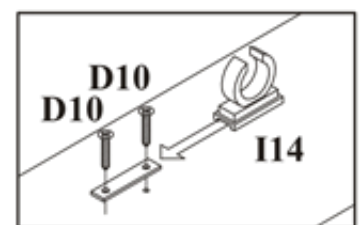
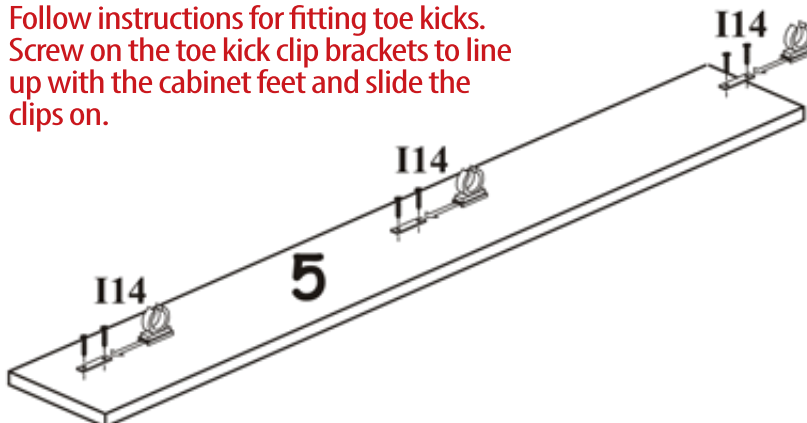
S90SZ3,S120SZ3 EXEL

1



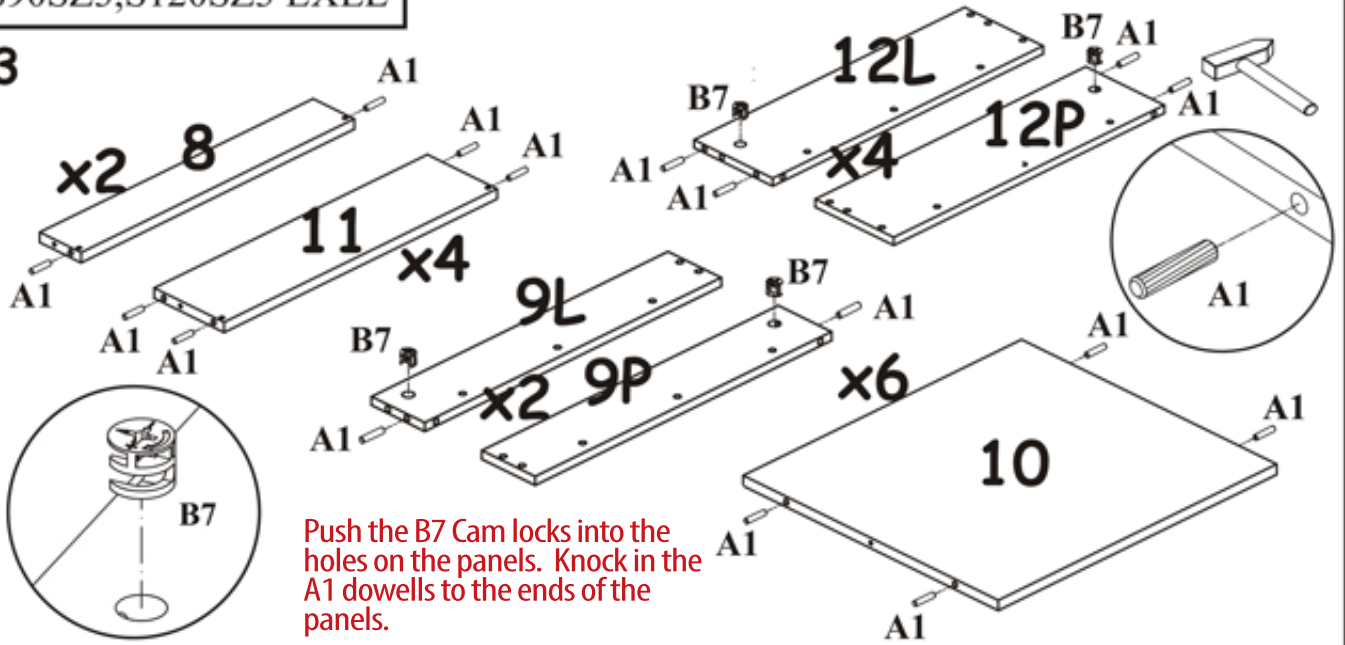
2

Follow instructions for fitting toe kicks. Screw on the toe kick clip brackets to line up with the cabinet feet and slide the clips on.



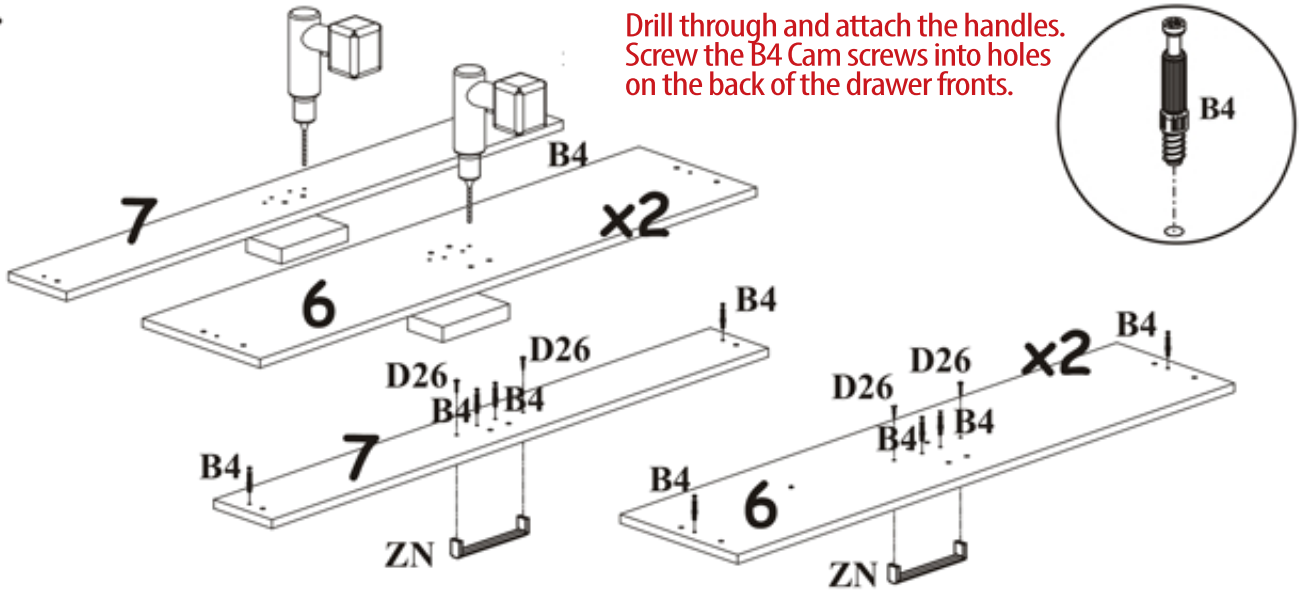
S90SZ3,S120SZ3 EXEL

3



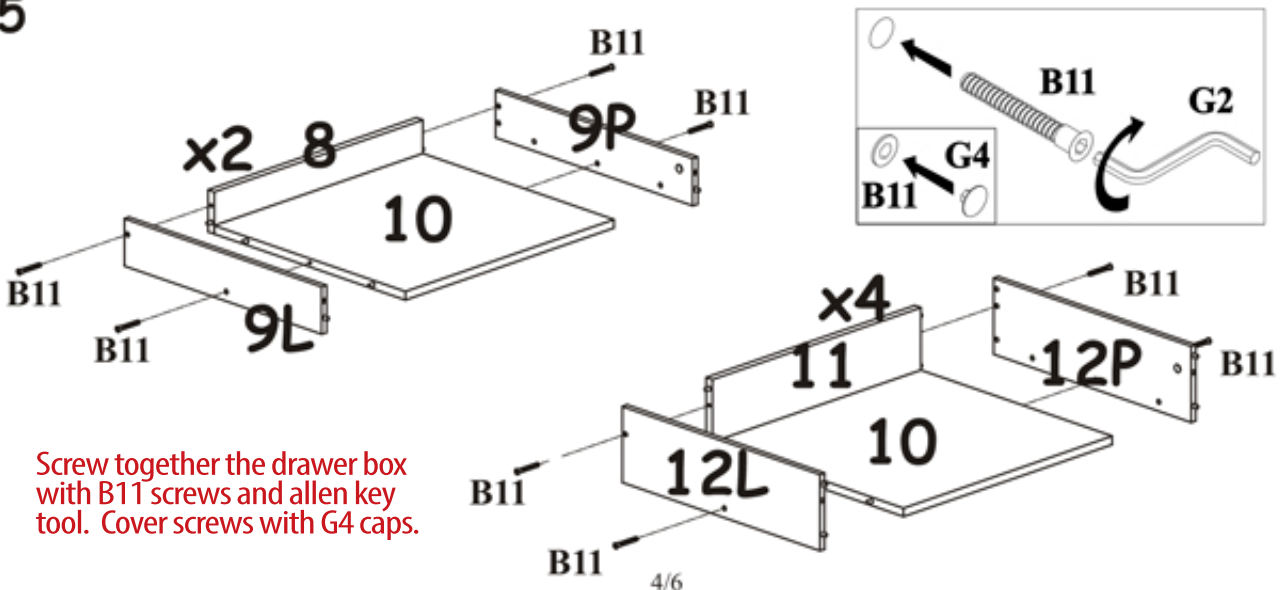
Push the B7 Cam locks into the holes on the panels. Knock in the A1 dowells to the ends of the panels.

4



Drill through and attach the handles. Screw the B4 Cam screws into holes on the back of the drawer fronts.

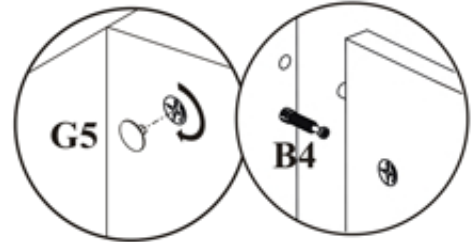
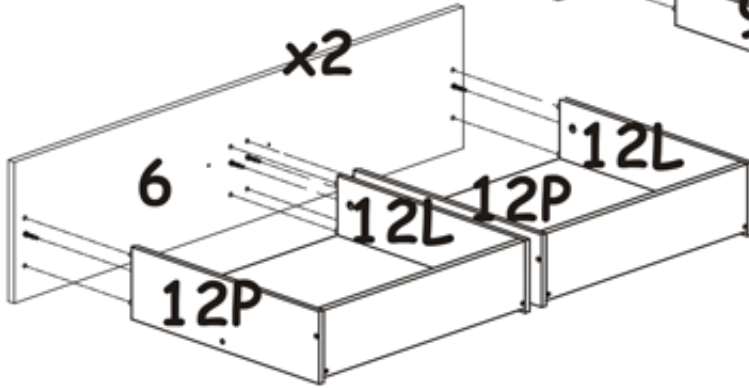
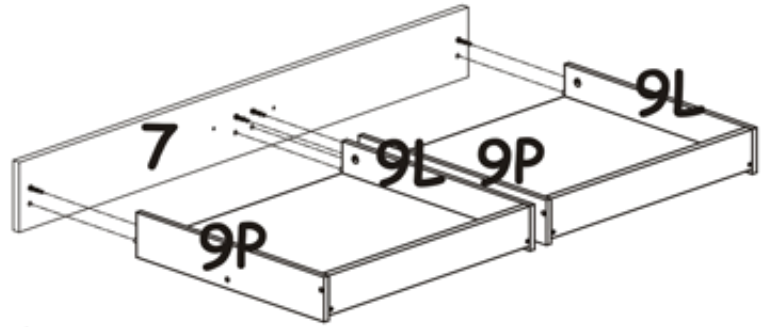
5



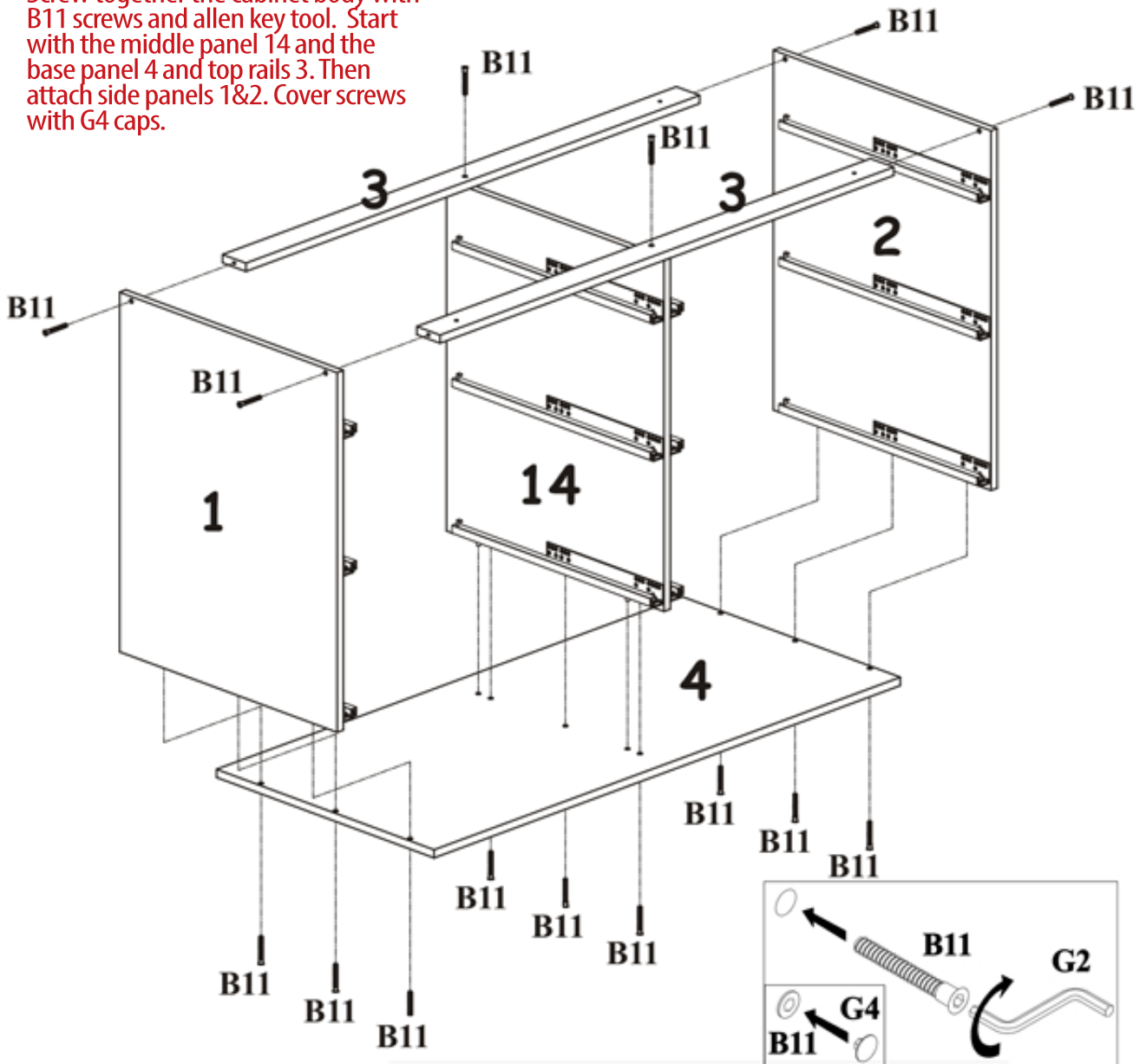
Screw together the drawer box with B11 screws and allen key tool. Cover screws with G4 caps.

S90SZ3,S120SZ3 EXEL

**6** Push the drawer front onto the drawer box, so that the B4 Cam screws slide into the corresponding holes in the drawer edges. Now tighten B7 Cam locks and cover with G5 caps.



**7** Screw together the cabinet body with B11 screws and allen key tool. Start with the middle panel 14 and the base panel 4 and top rails 3. Then attach side panels 1&2. Cover screws with G4 caps.

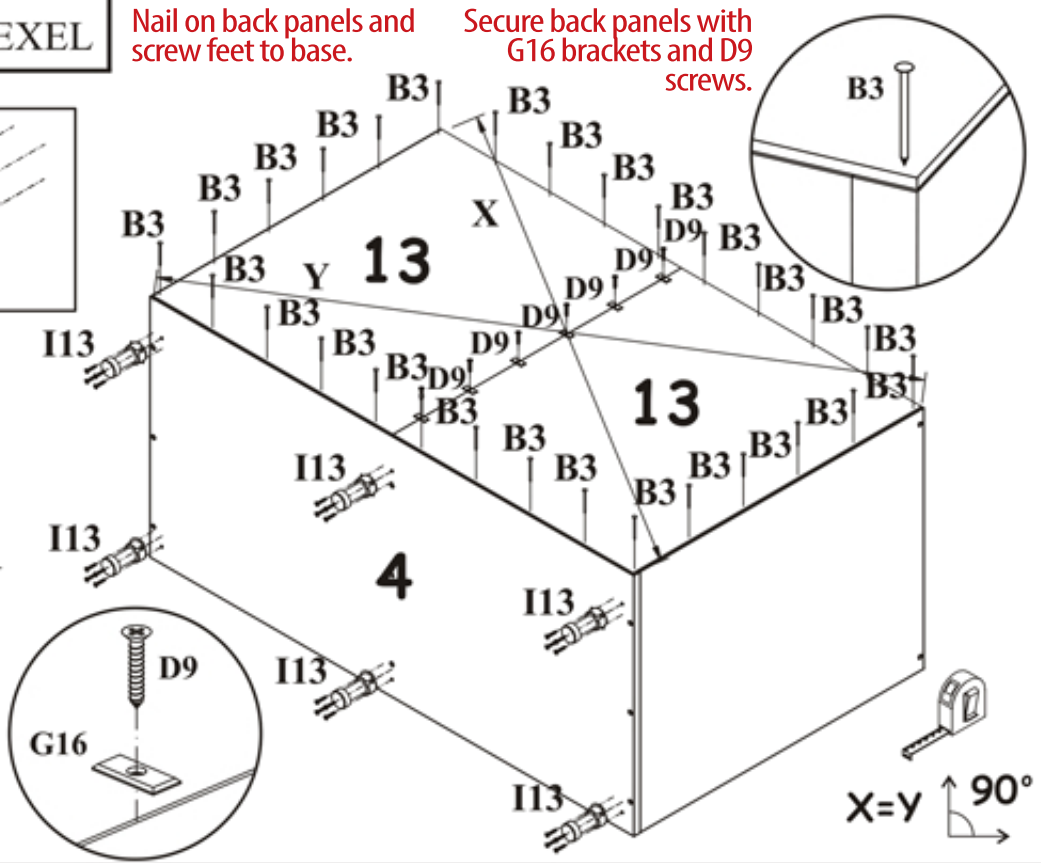
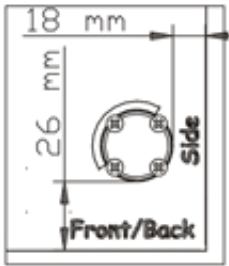
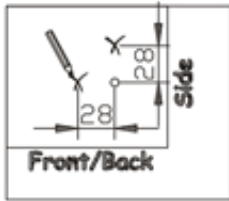
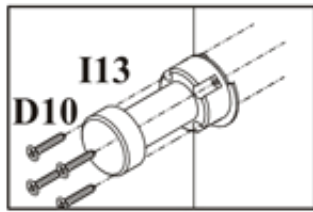


S90SZ3,S120SZ3 EXEL

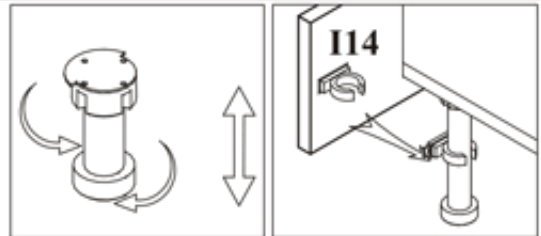
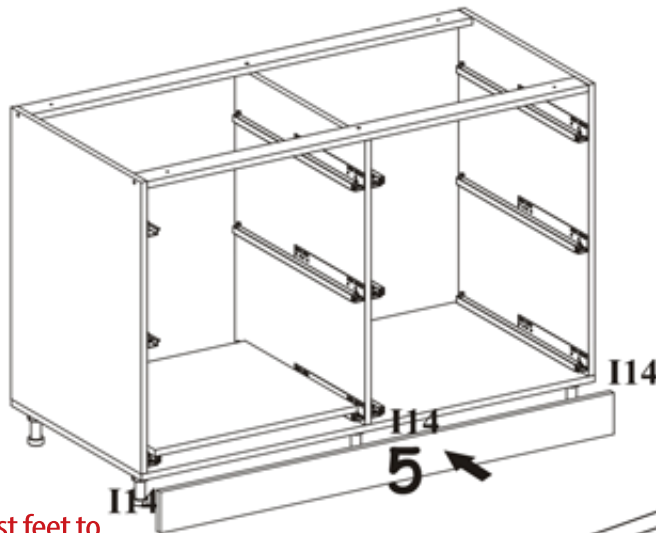
Nail on back panels and screw feet to base.

Secure back panels with G16 brackets and D9 screws.

8



9



Pull drawer runners out to full extension. Lift draw into place, by first sliding the back of the drawer to the backs of the runners. Next push the front of the drawer down so that the peg on the drawer runner pushes up into the holes on the underside of the cabinet.

Adjust feet to make cabinet level and follow instructions for fitting the toe kicks.

