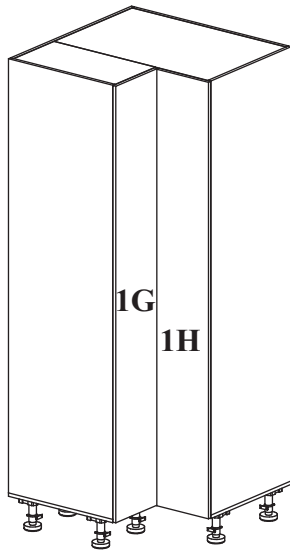
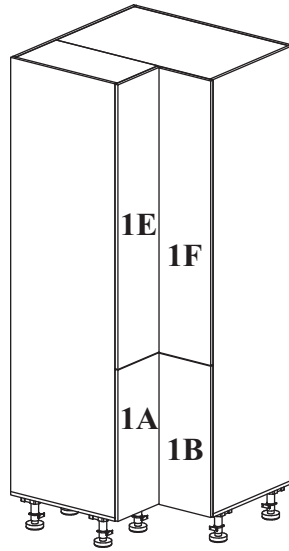


EURO S90/90/222/*D

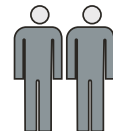
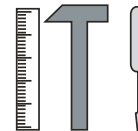
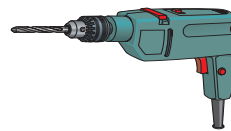
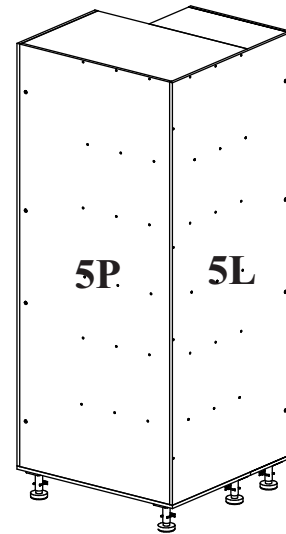
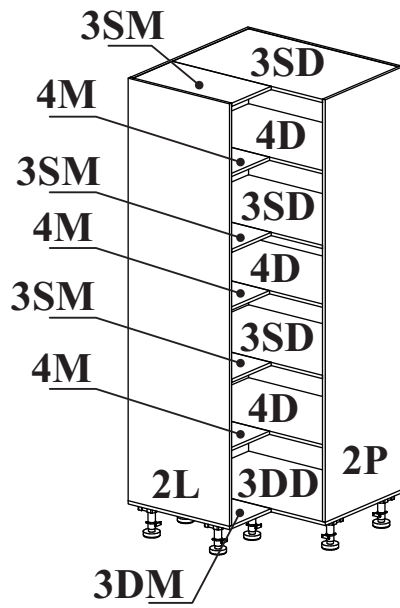
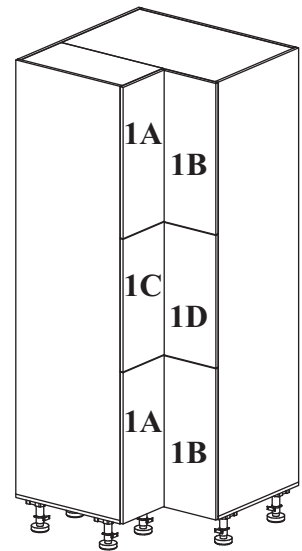
S90/90/222/2D



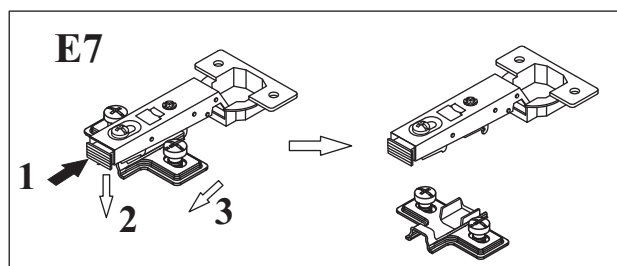
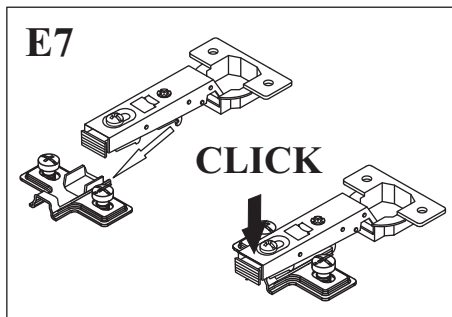
S90/90/222/4D



S90/90/222/6D

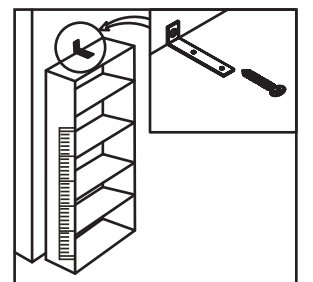
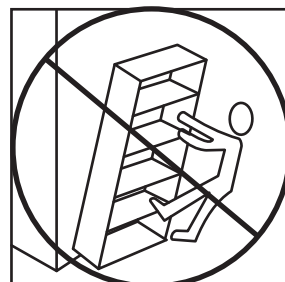
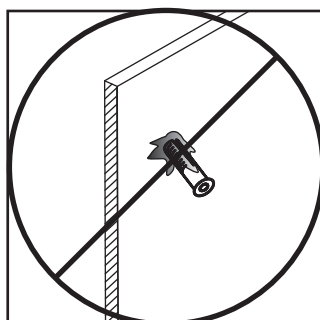
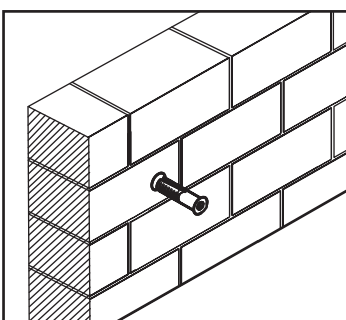
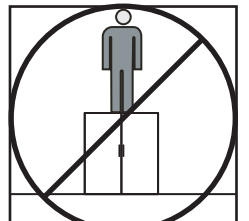
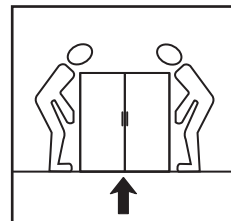
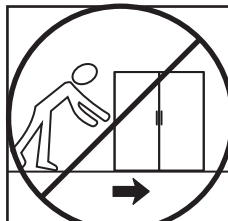
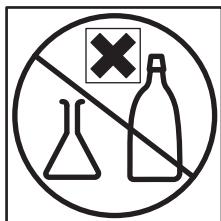
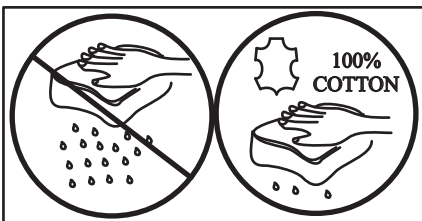
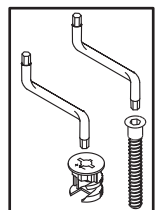
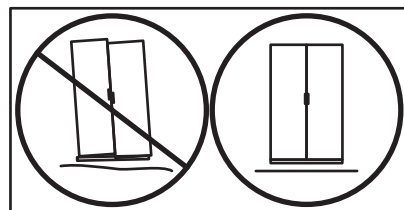
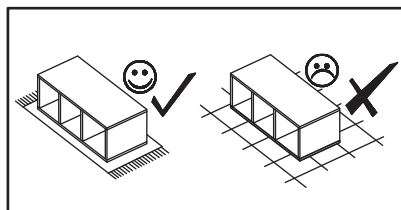
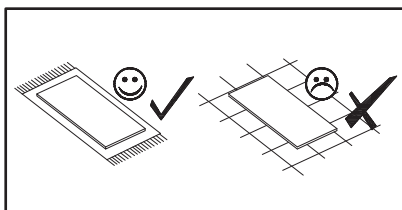
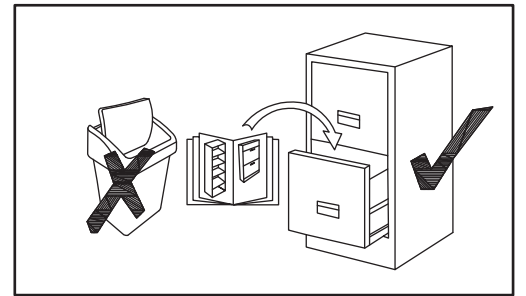
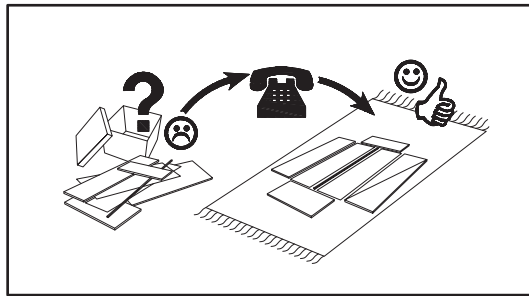
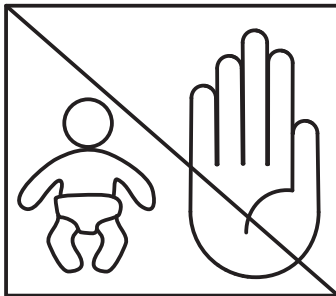
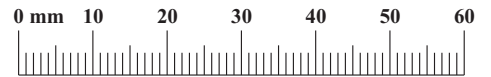


120 min

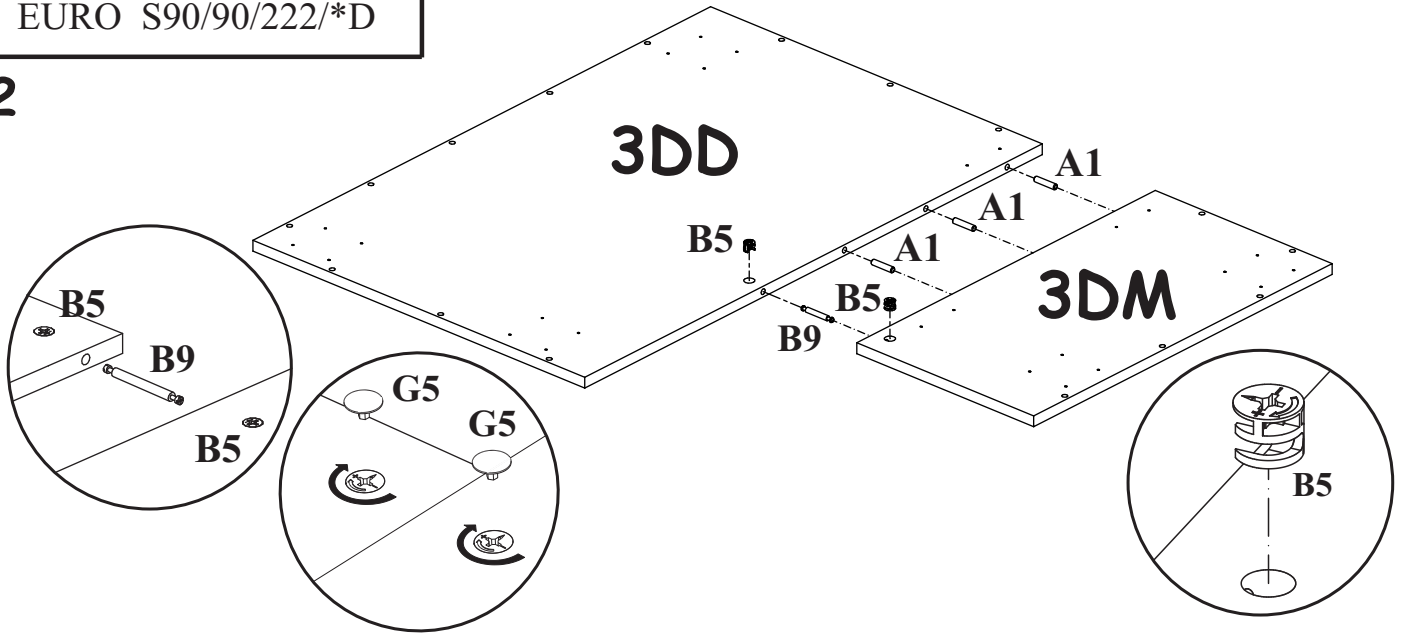


EURO S90/90/222/*D

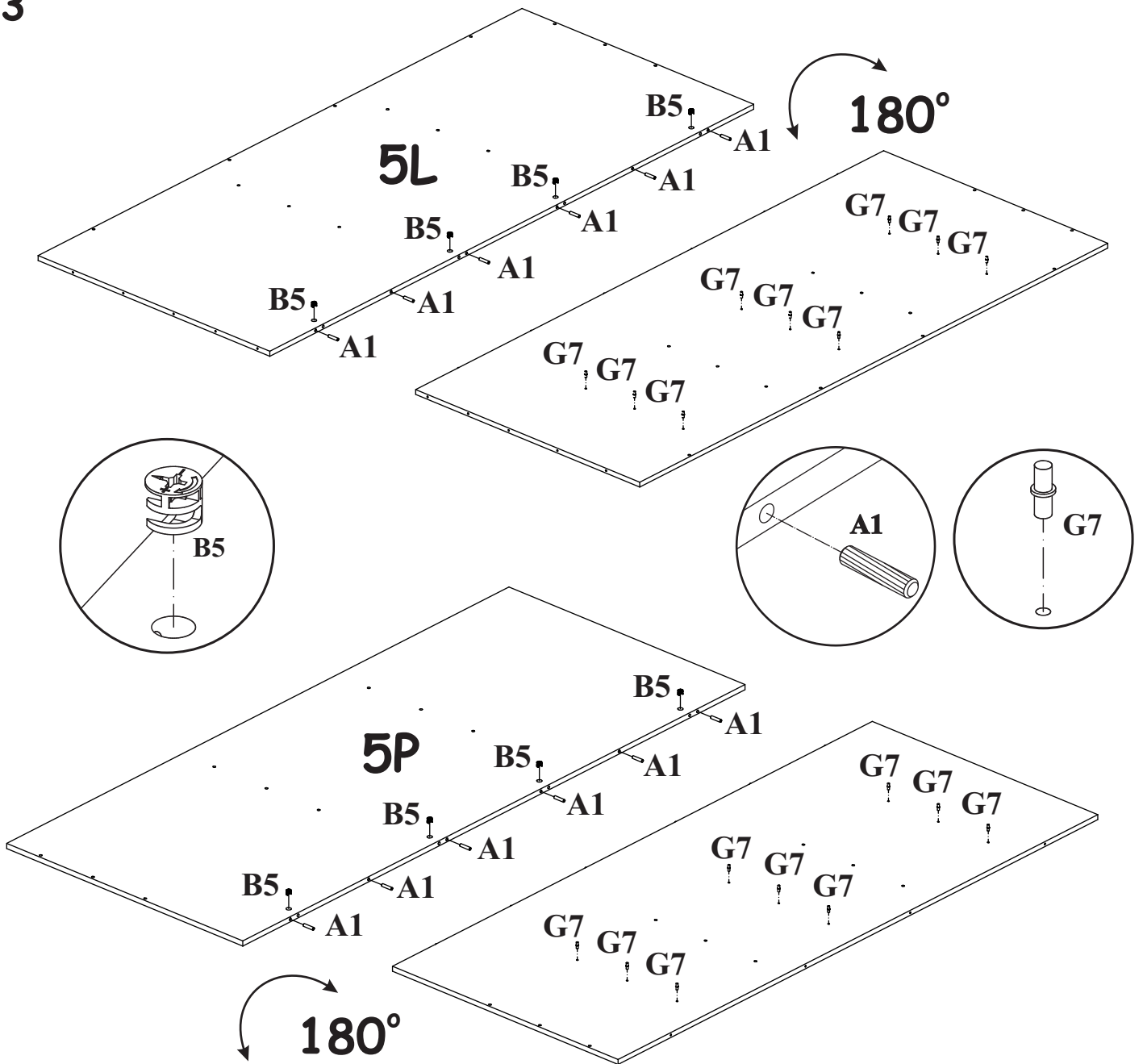
A1 X54 ø8x36	B4 X26	B5 X52 ø15x12	G5 X52	Z2 X24 ø5	G7 X30
E10 X12	E11 X12 H=0	B11 X38 ø7x50	G4 X38	D10 X24 USØ3,5x13	G2 X1
D27 X28 USØ4x35	I15 X7 L-150 mm	I16 X4	D30 X32 USØ3,5x16	G3 X12 ø35	B9 X13 ø7x48
AR1 X12	AR2 X12				



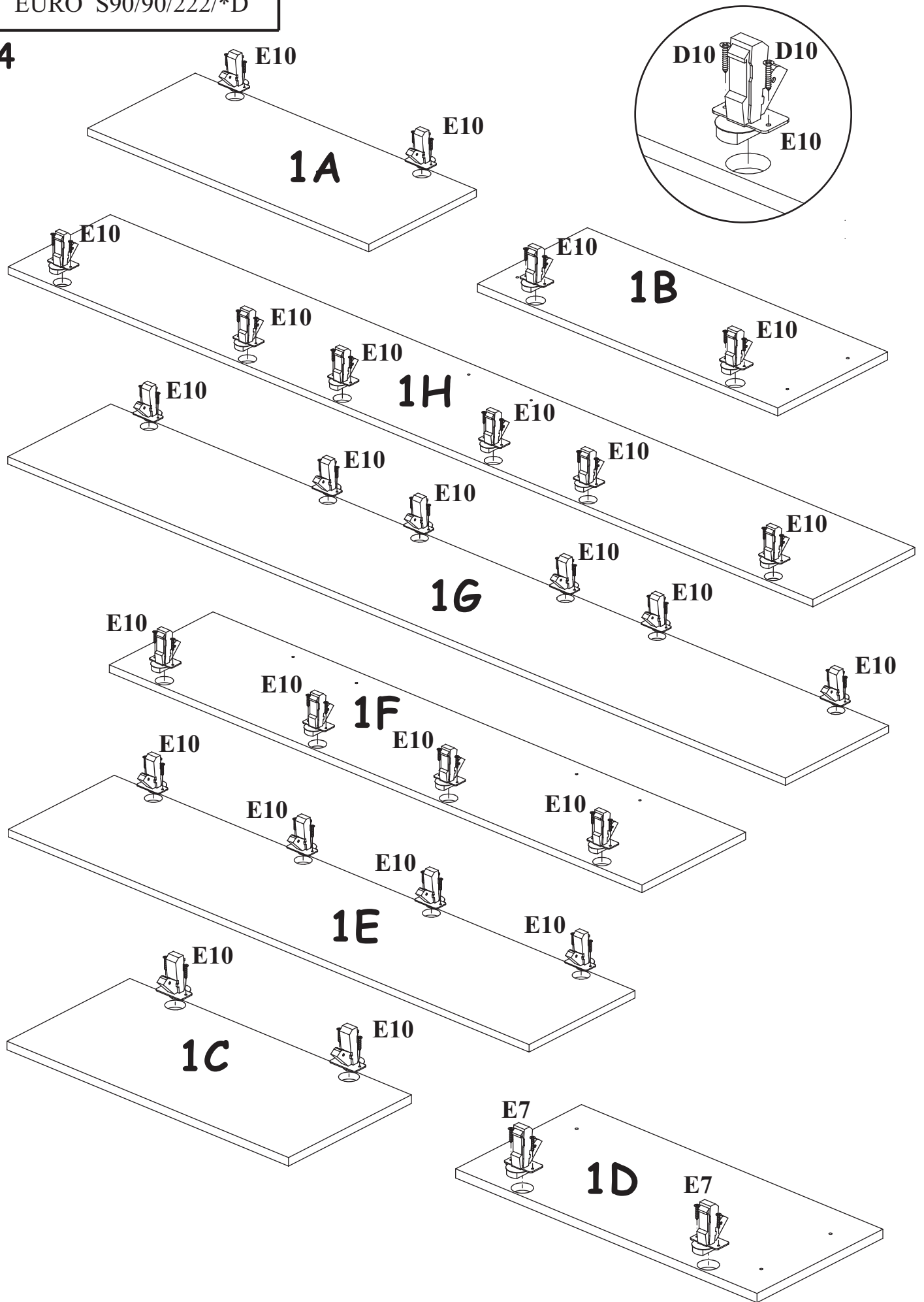
2



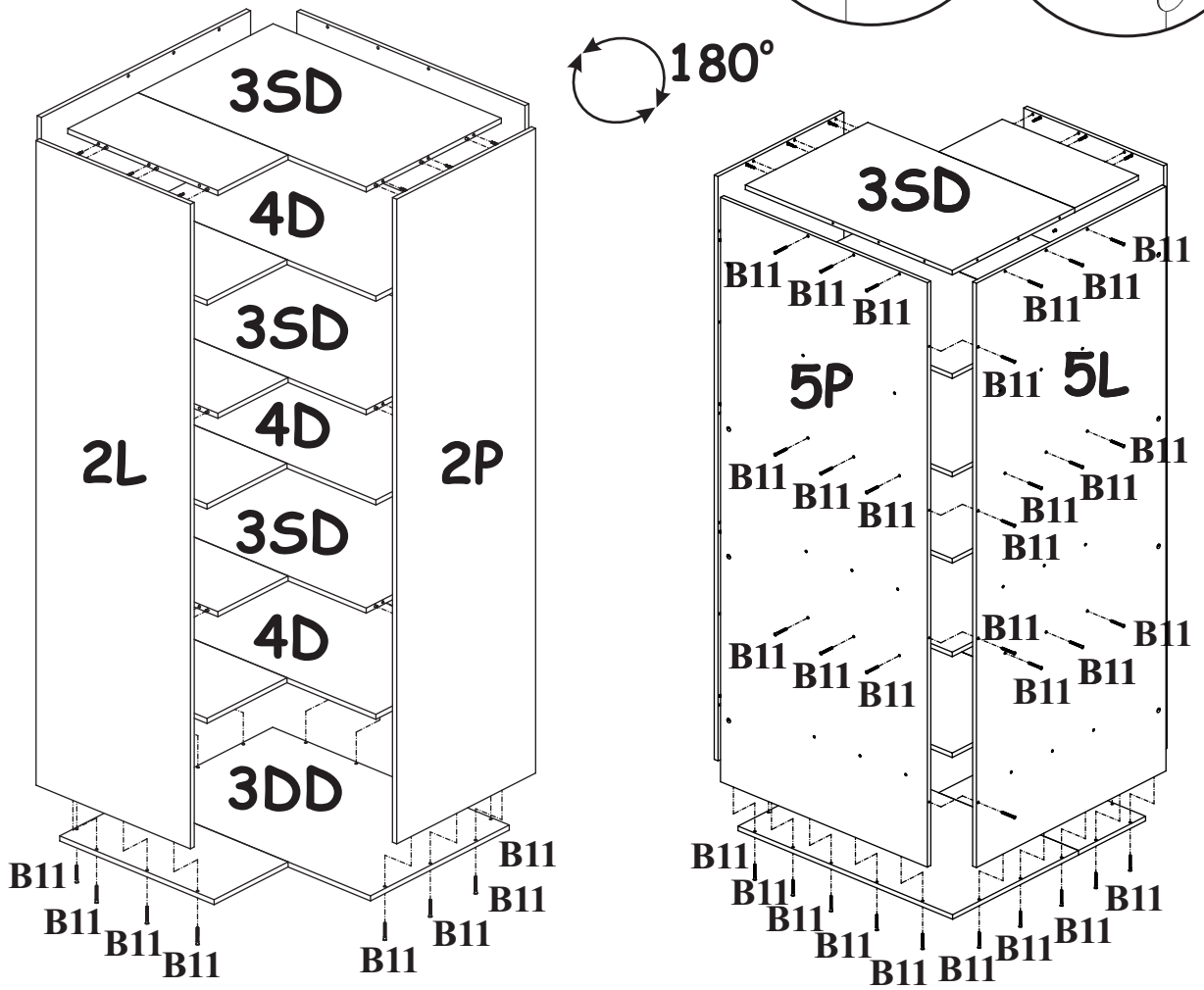
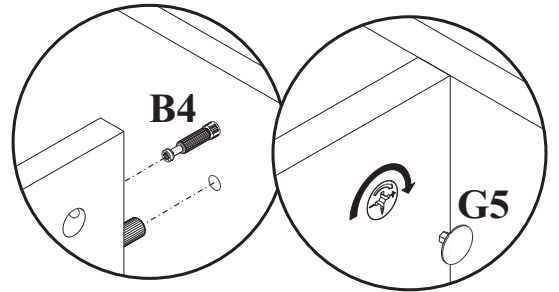
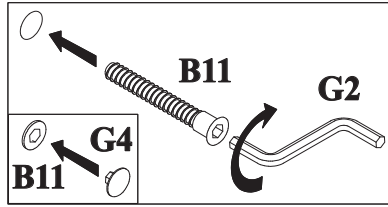
3



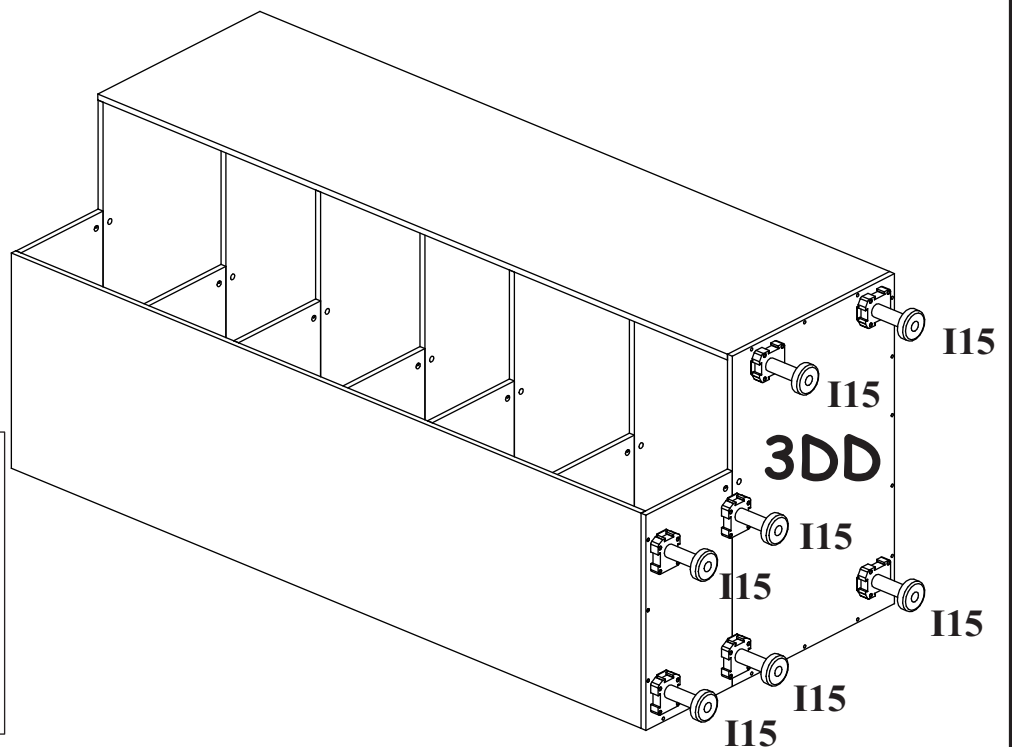
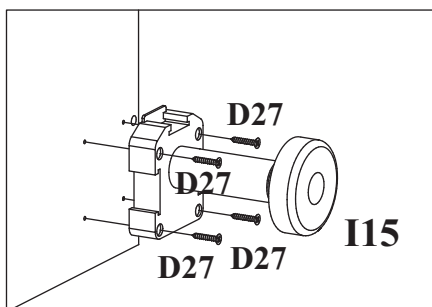
4



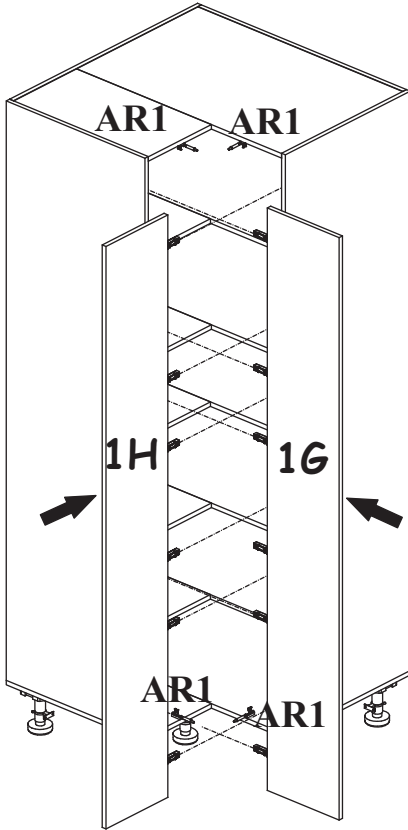
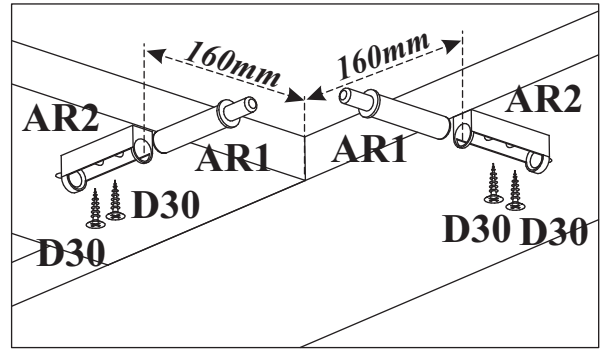
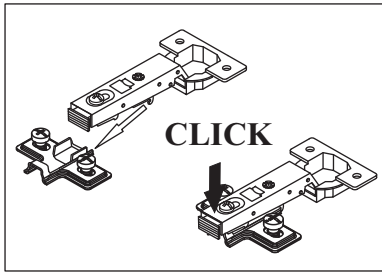
5



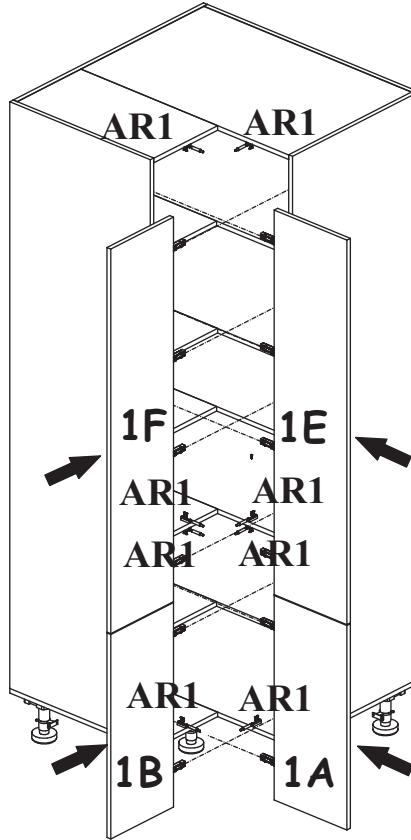
6



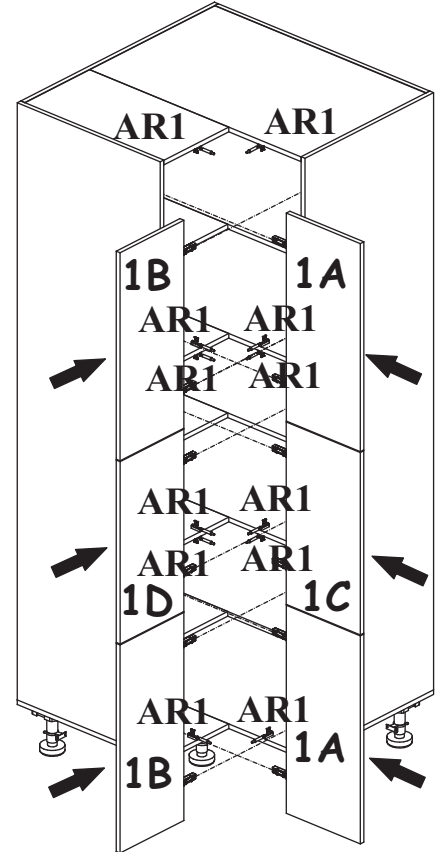
7



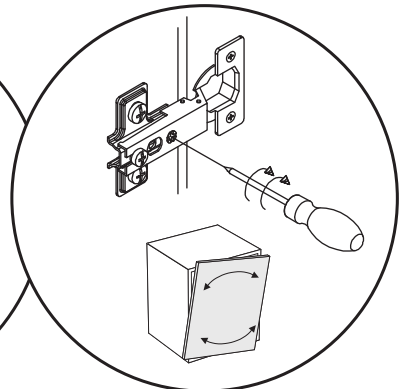
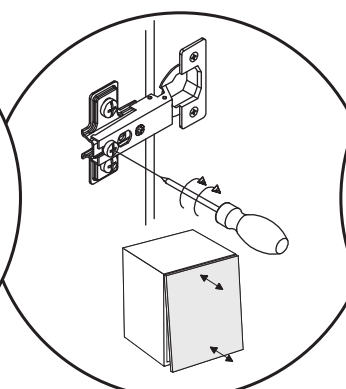
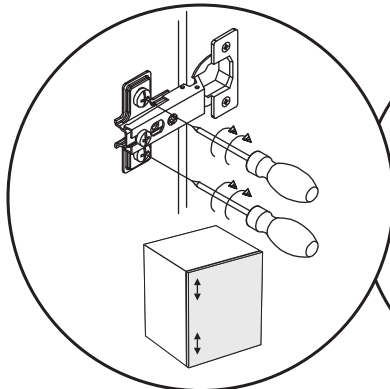
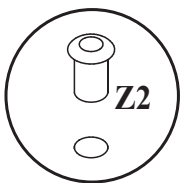
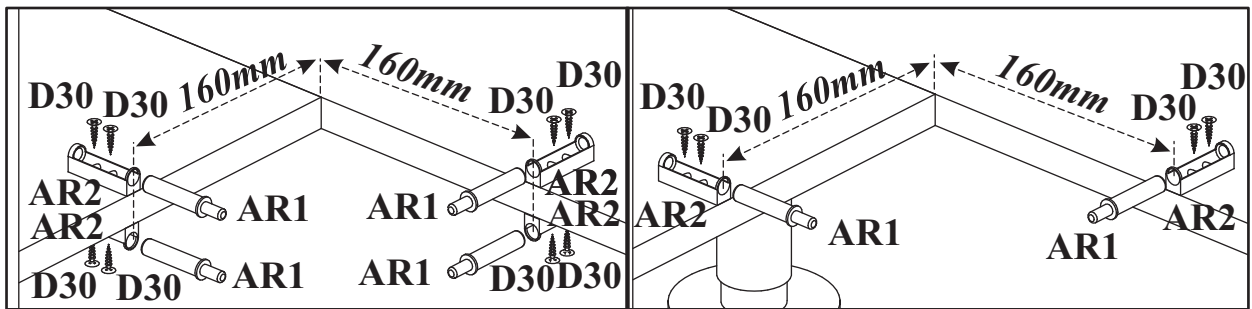
S90/90/222/2D



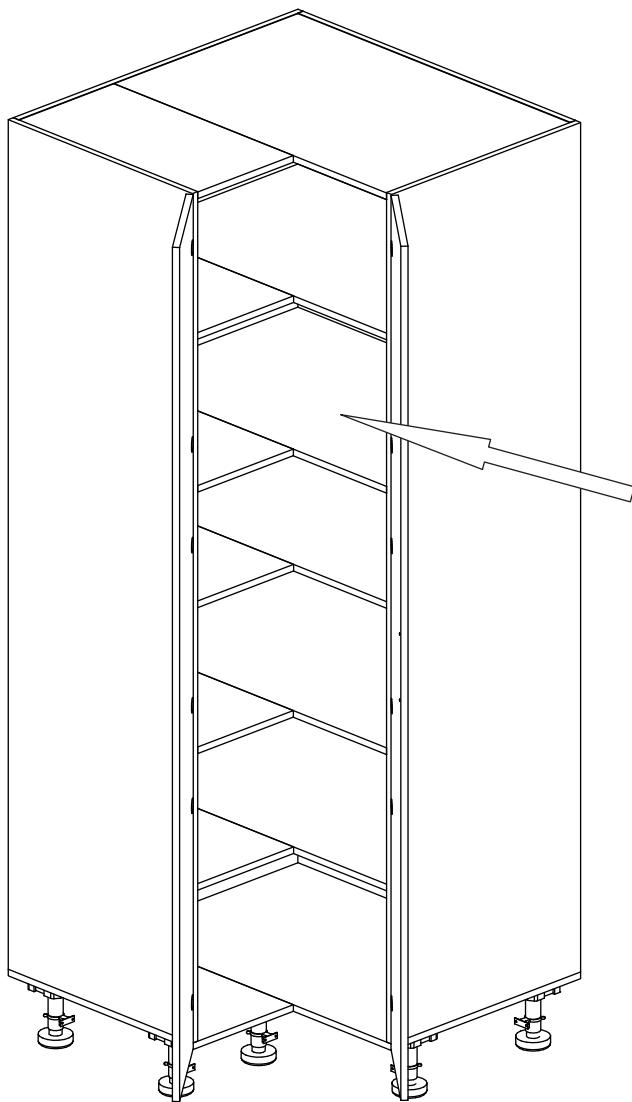
S90/90/222/4D



S90/90/222/6D



8



x2

