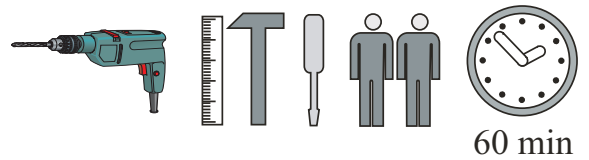
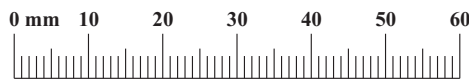
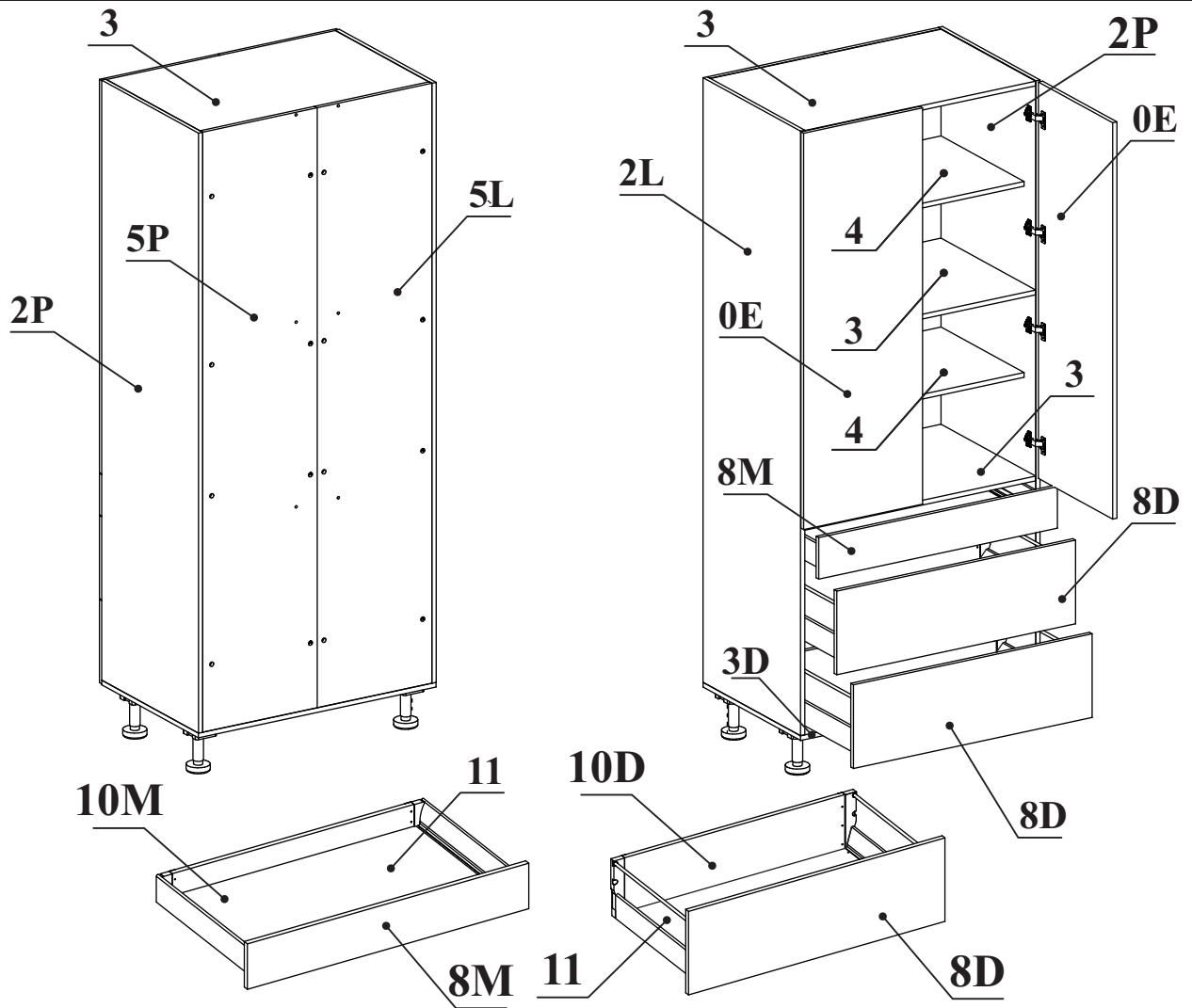
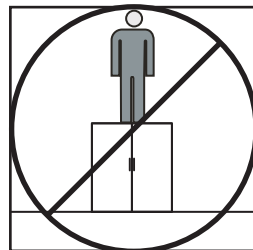
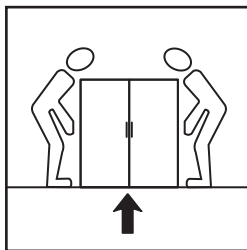
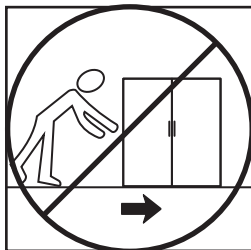
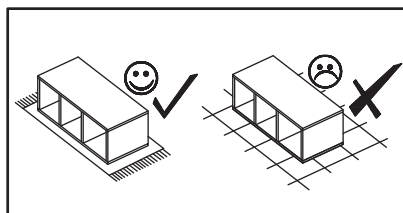
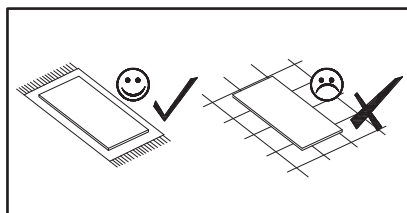
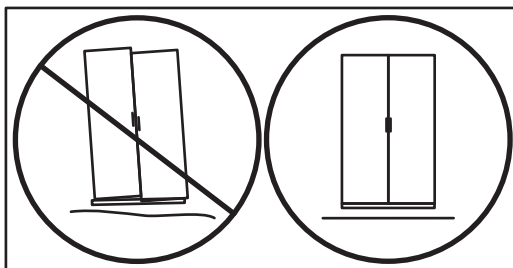
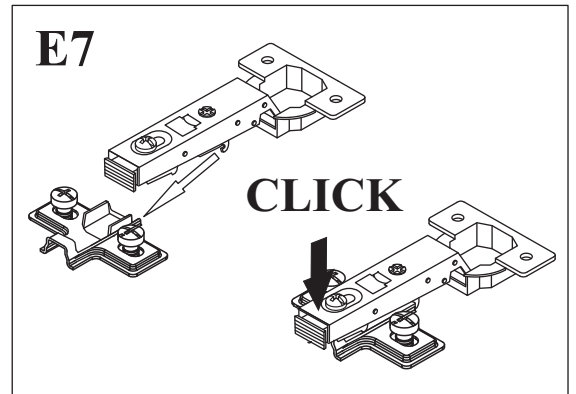
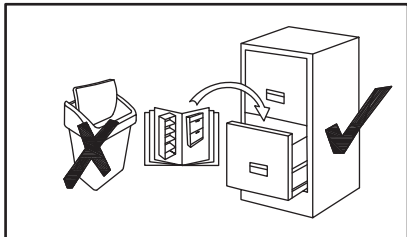
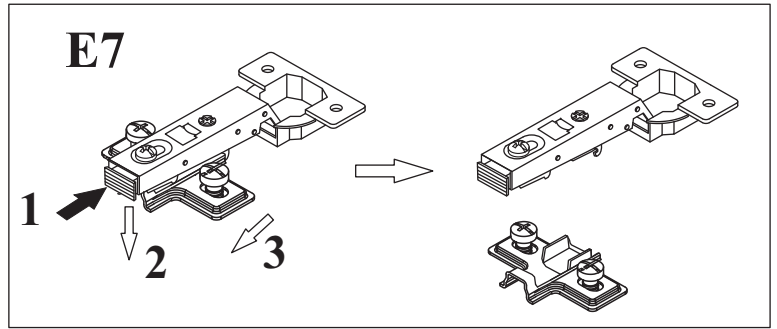
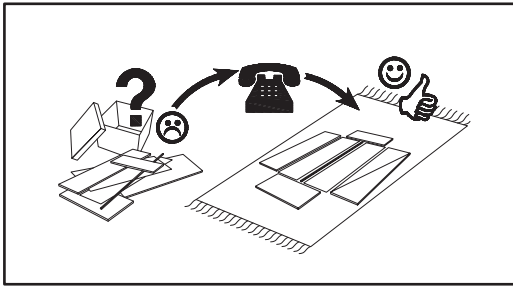
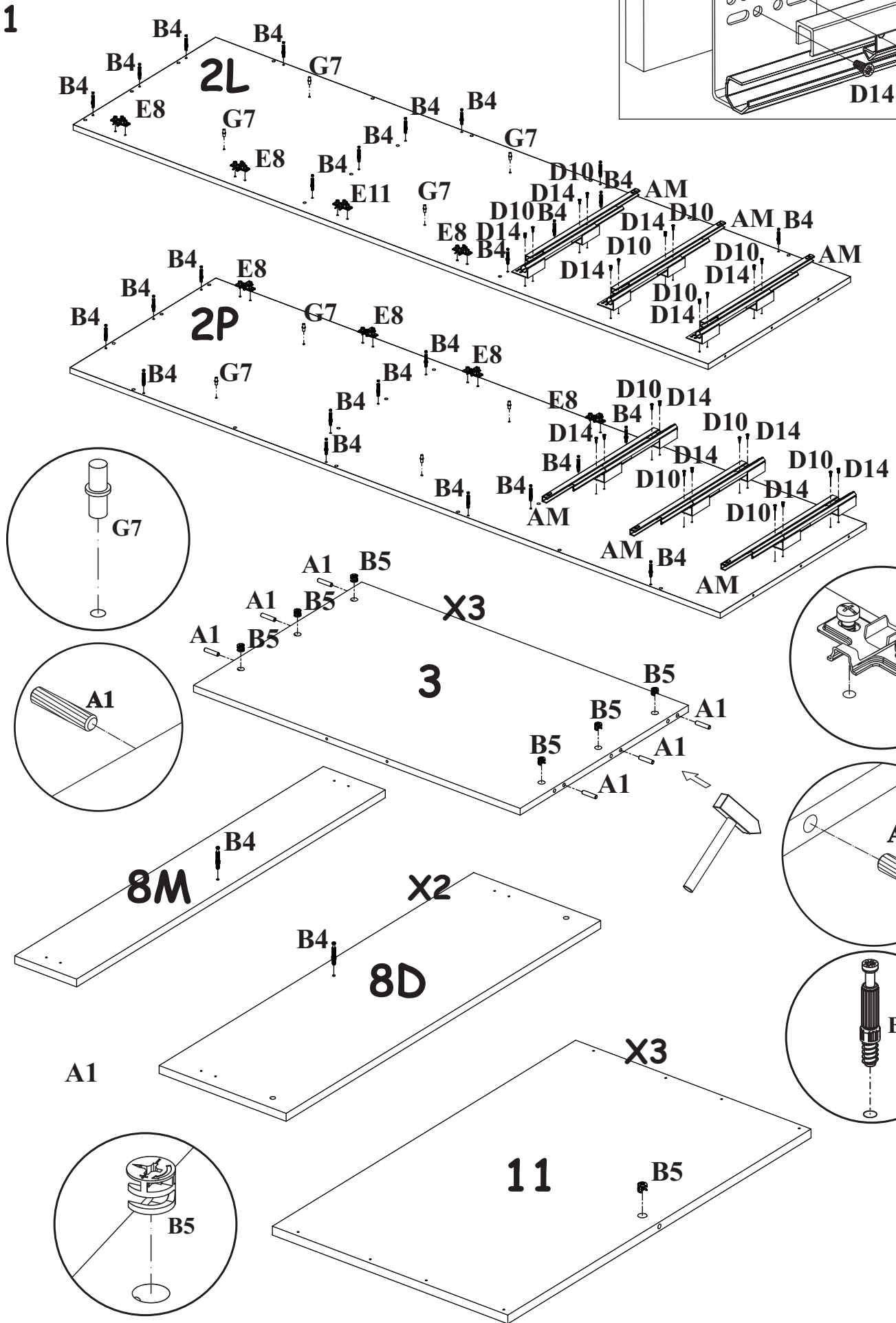
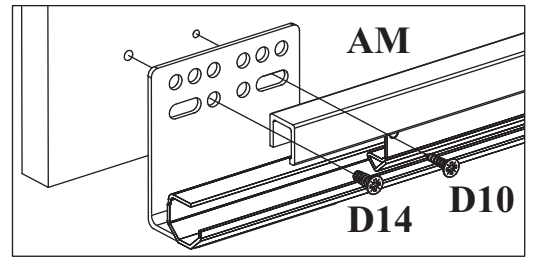


EURO S90-222-60-2DSZ3A

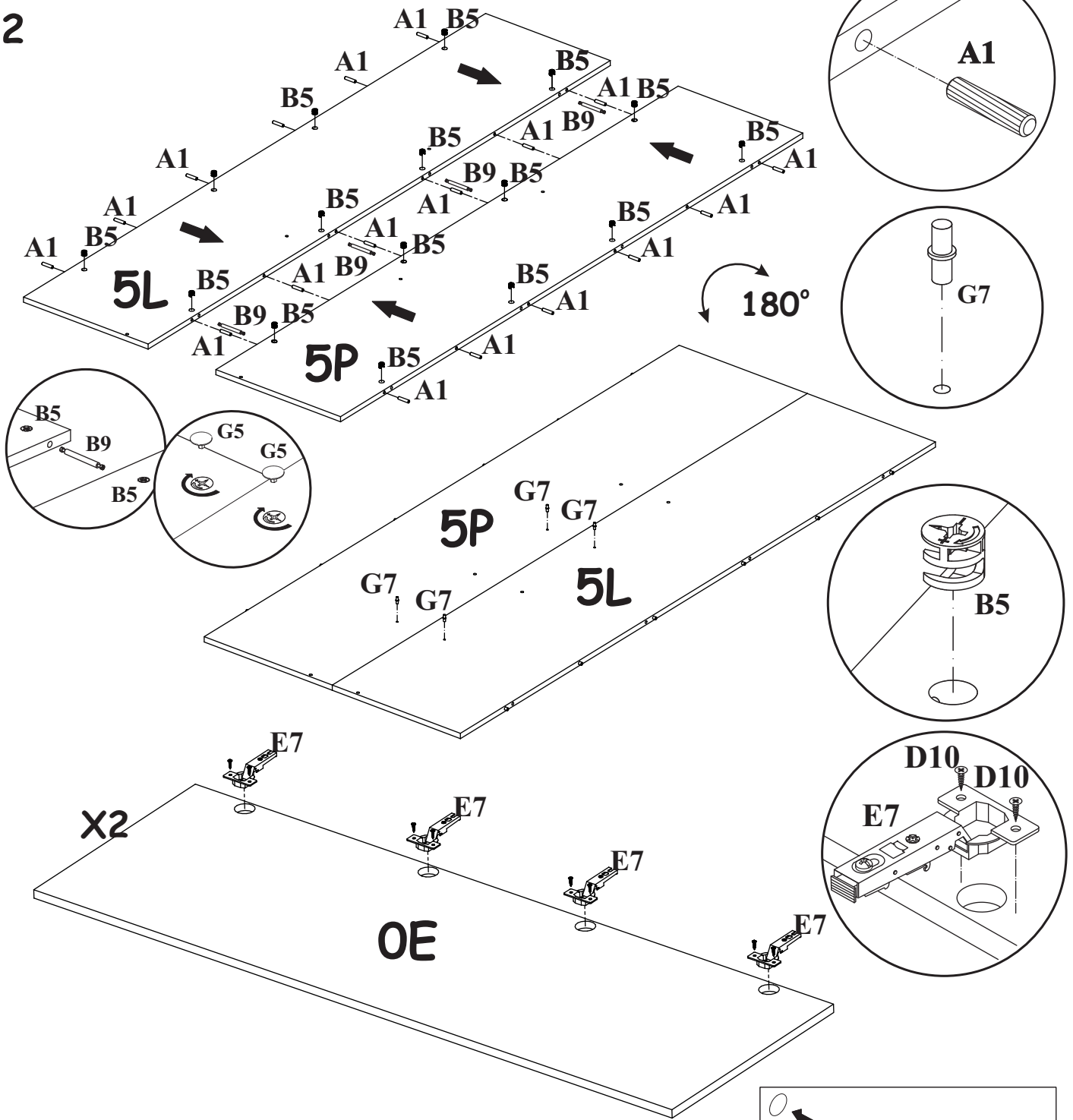


A1 X36 ø8x36	B4 X29	B5 X37 ø15x12	G5 X37	B9 X4 ø7x48	D30 X12 USØ3,5x16
E7 X8	E8 X8	B11 X17 ø7x50	G4 X17	D10 X28 USØ3,5x13	G2 X1
AM3 X1 SET	G3 X6 ø35	G7 X12	Z2 X14 ø5	I15 X4 L-150 mm	I16 X6
AM X3	AM2 X2 SET	RE X2 SET	D14 X12 ESØ6,3x13	D11 X20 USØ3,5x25	D27 X16 USØ4x35

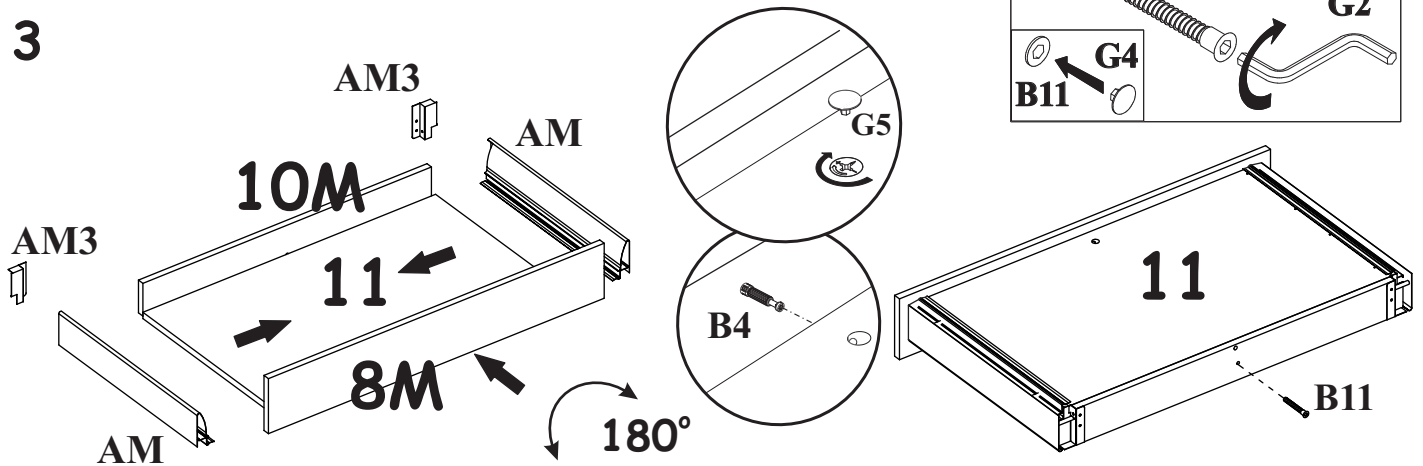


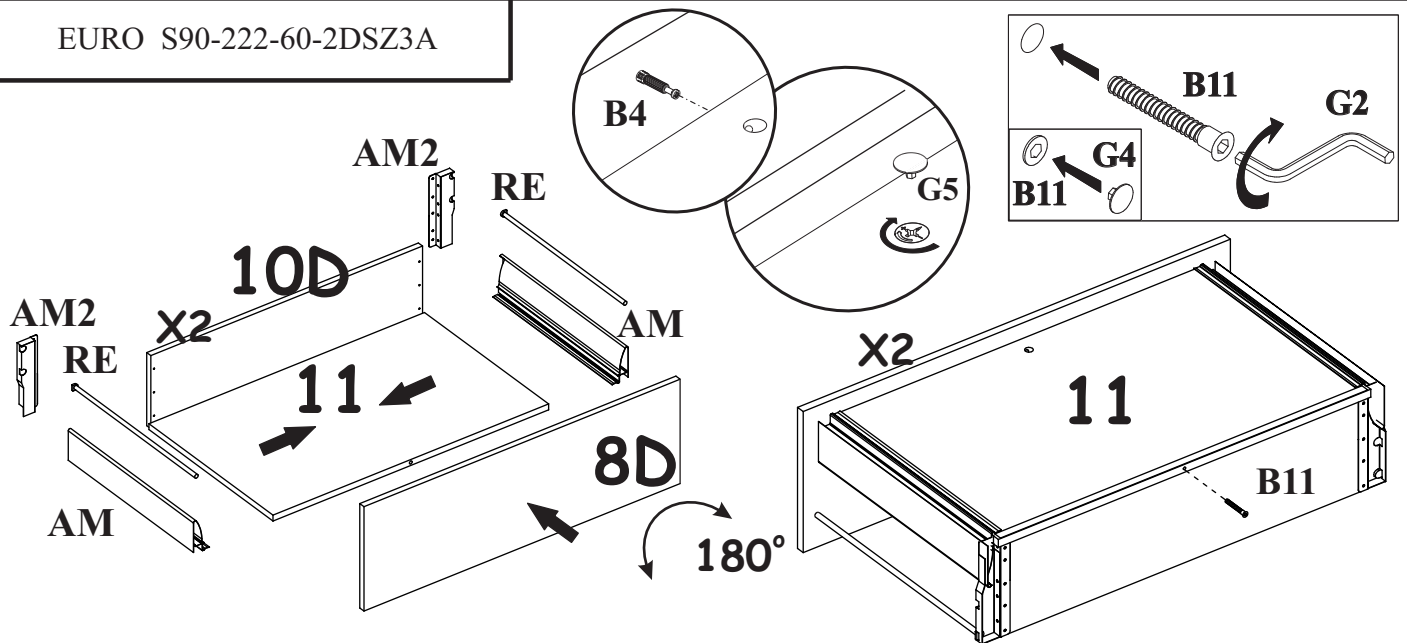


2

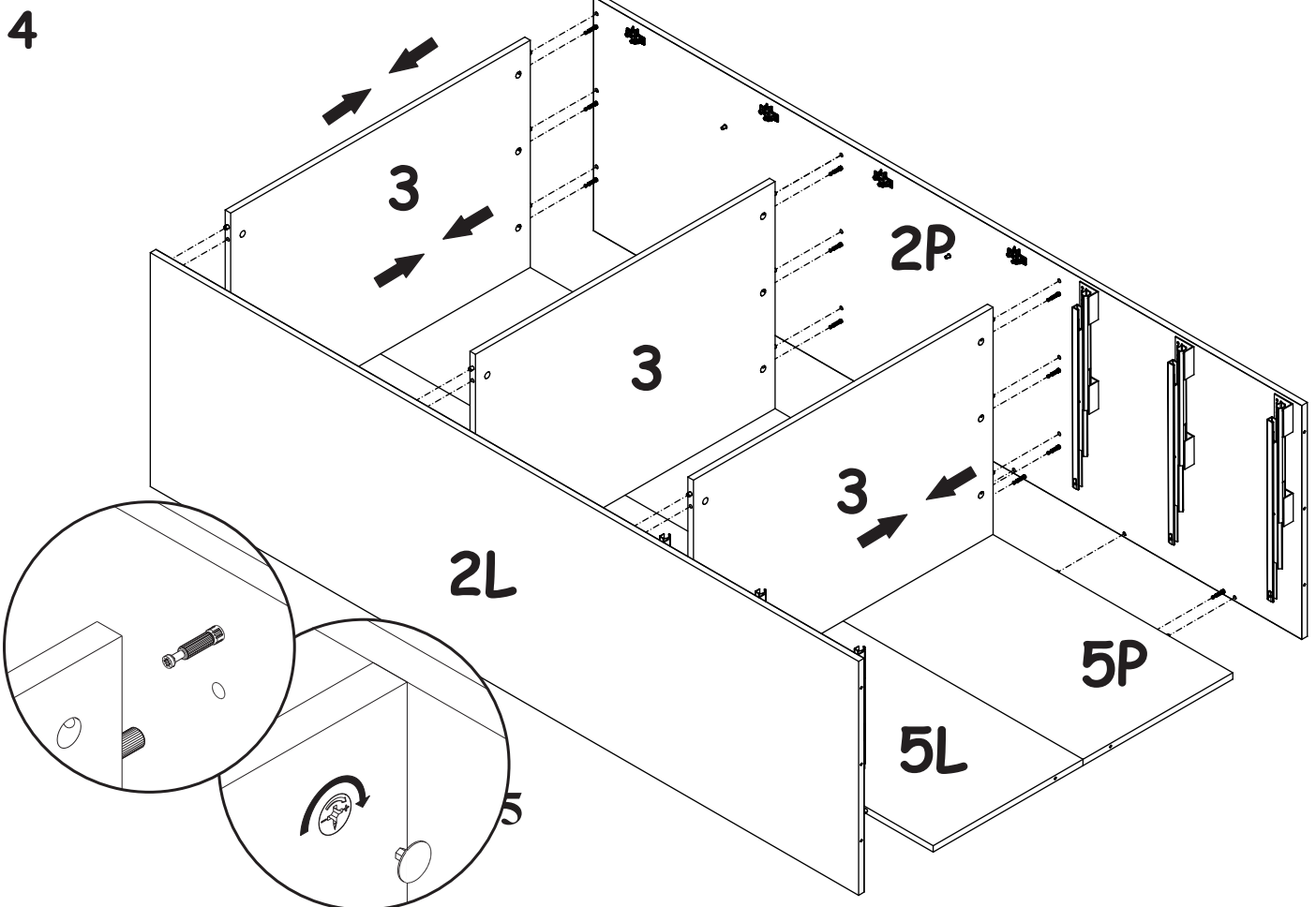
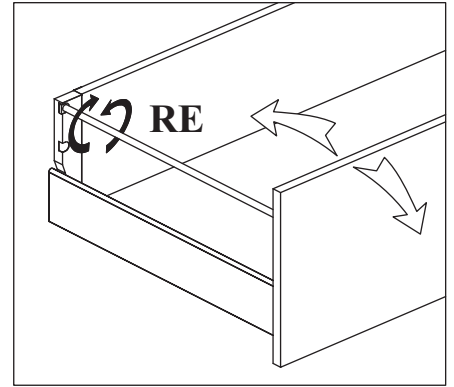
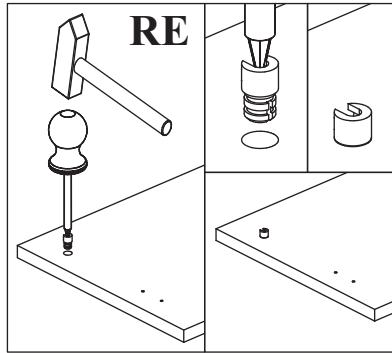
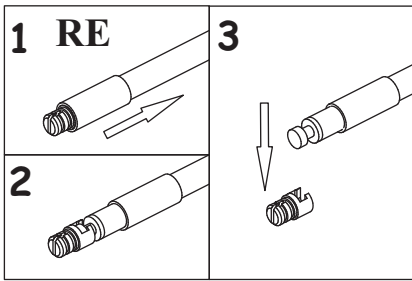


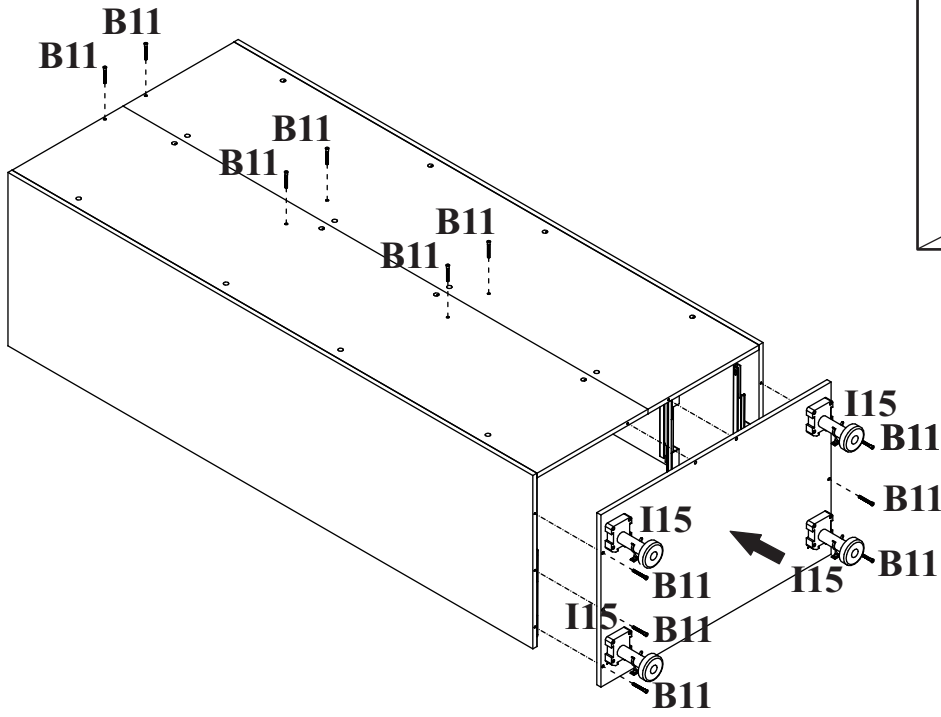
3



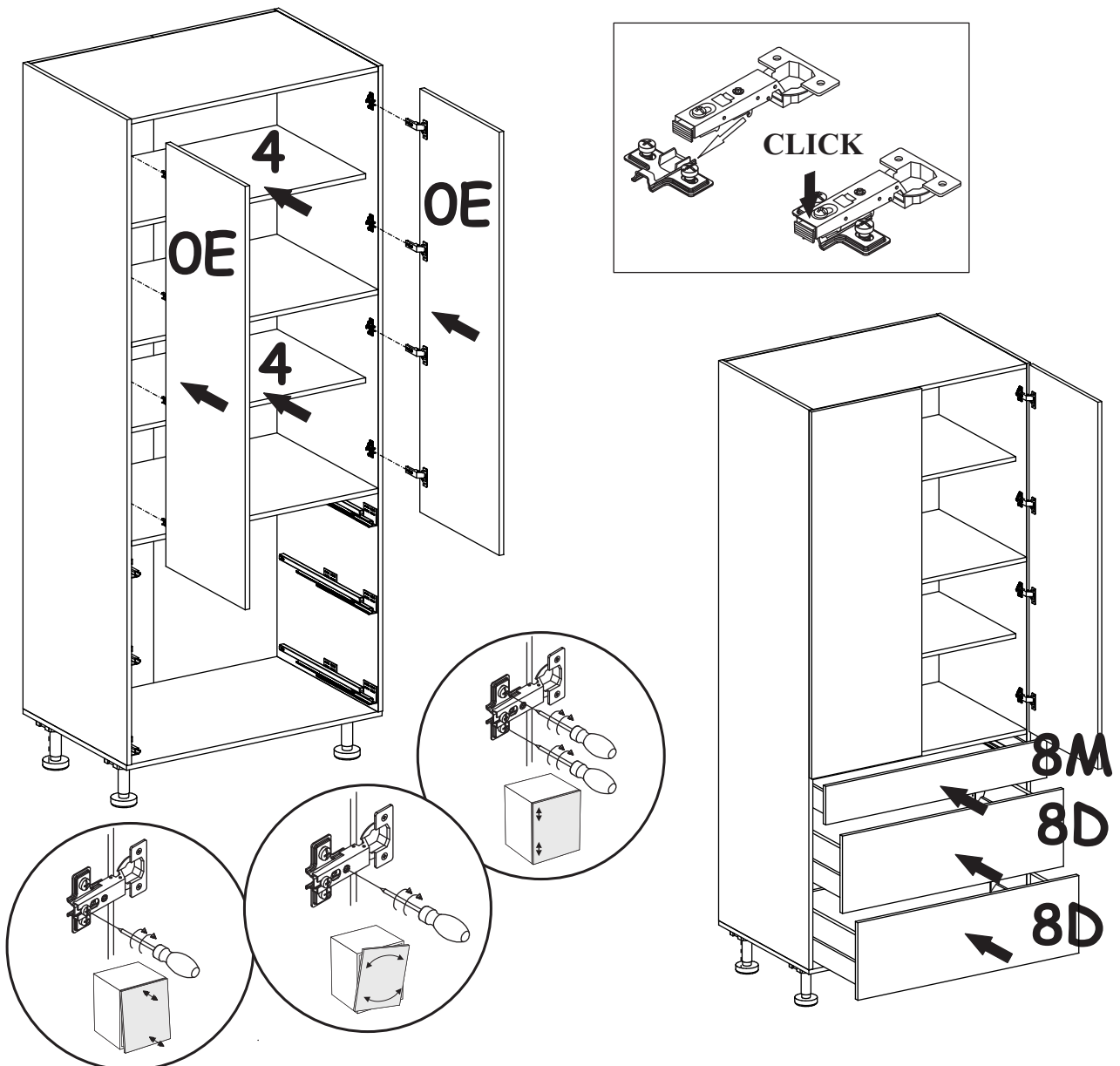


See additional installation instructions

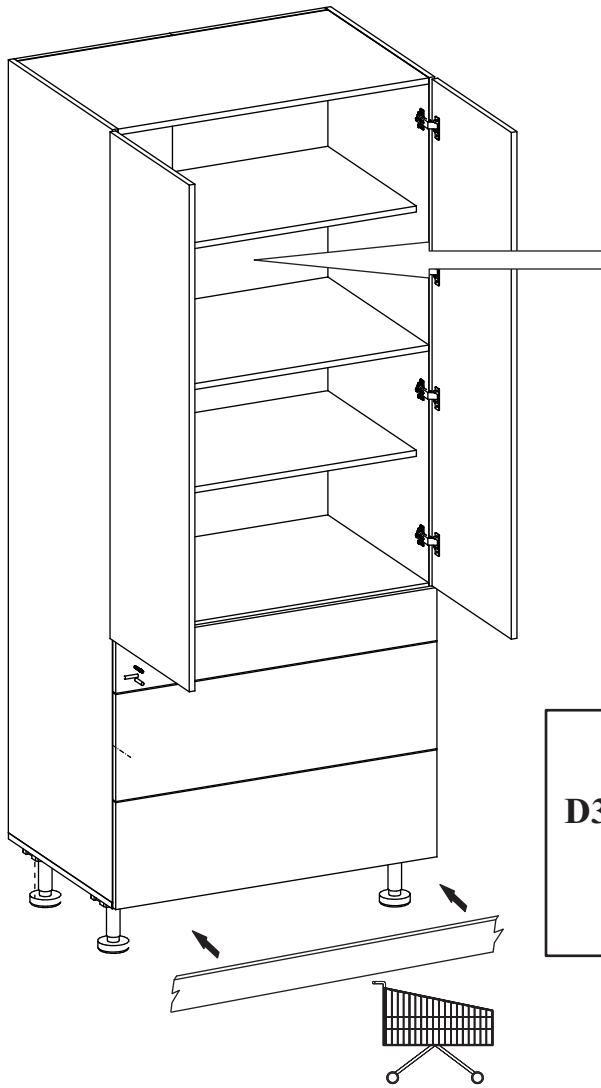




5



6



x2

