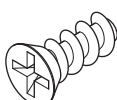
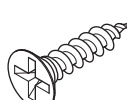
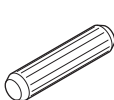
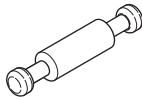
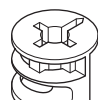
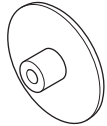


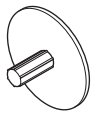
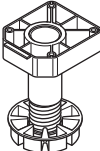
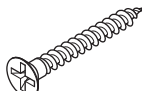
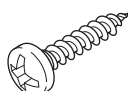
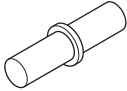
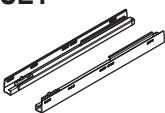
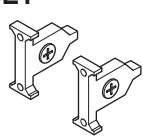
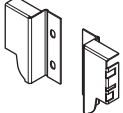
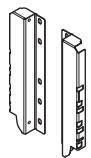

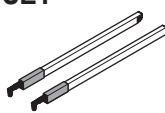
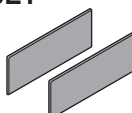
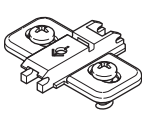
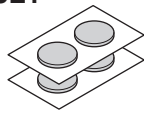
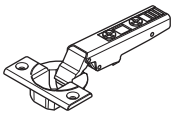
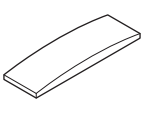
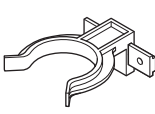
 B4 pc. 29	 D8 pc. 18	 D30 pc. 86	 A1 pc. 36	 B9 pc. 4	 B5 pc. 37	 G5 pc. 37
 B11 pc. 17	 G2 pc. 1	 G4 pc. 17	 I15 pc. 4	 D27 pc. 16	 D18 pc. 12	 G7 pc. 12
 BM1 pc. 3	 BM2 pc. 3	 BM3 pc. 1	 BM4 pc. 2	 BM5 pc. 3	 BM6 pc. 2	 BM7 pc. 3
 E8 pc. 8	 I03 pc. 2	 E7 pc. 8	 F01 pc. 8	 I16 pc. 2		

Symbology



Phases of assembly



Elements



Hardware and tools



Reference to the detail



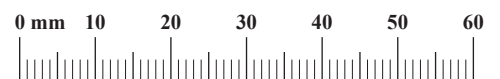
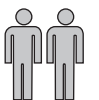
Screw to fix

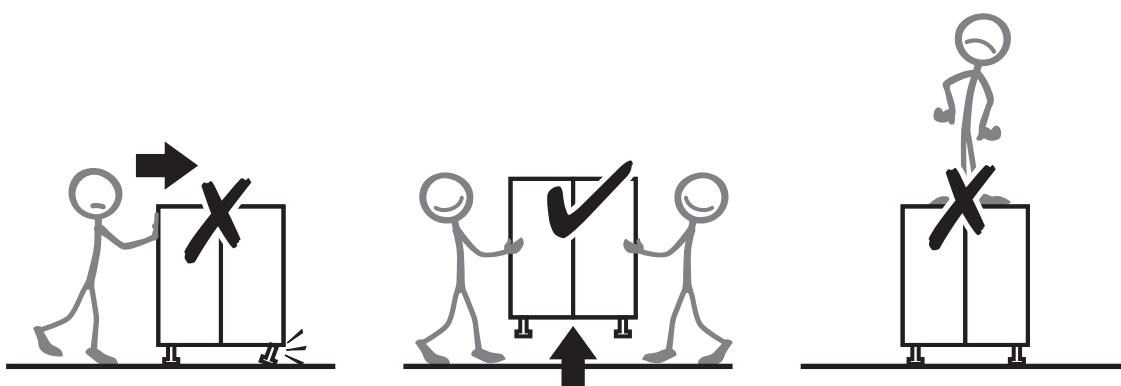
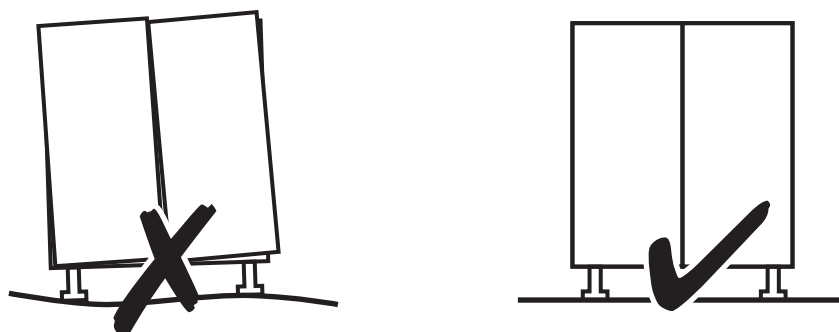
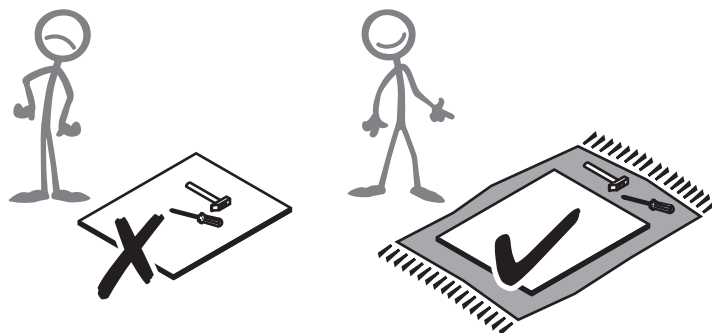
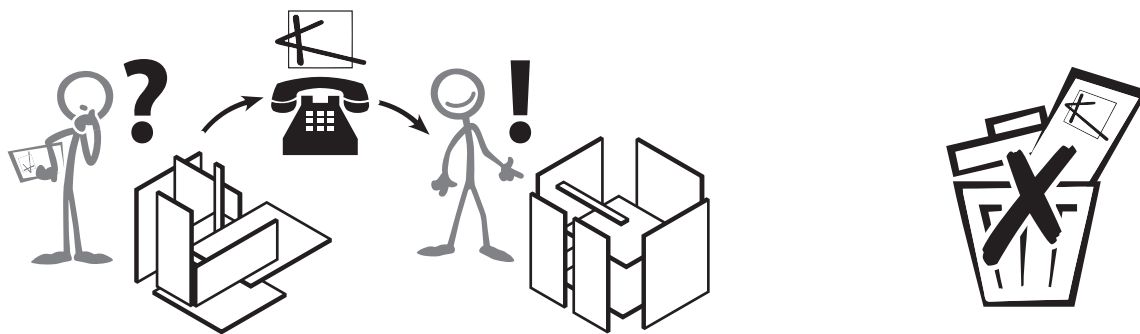


Movement direction



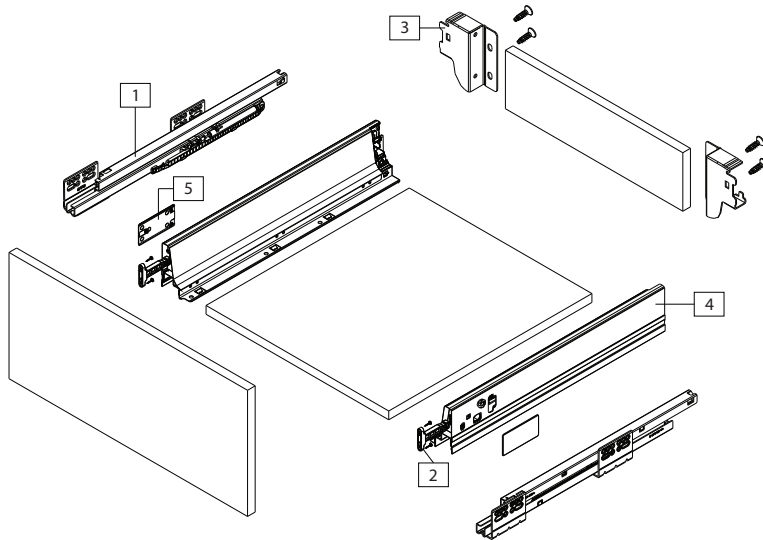
90 min





Profile

Lower drawer



1 - BM1, runner (left & right)

2 - BM5, front fixing bracket

3 - BM3, fixing bracket (left & right)

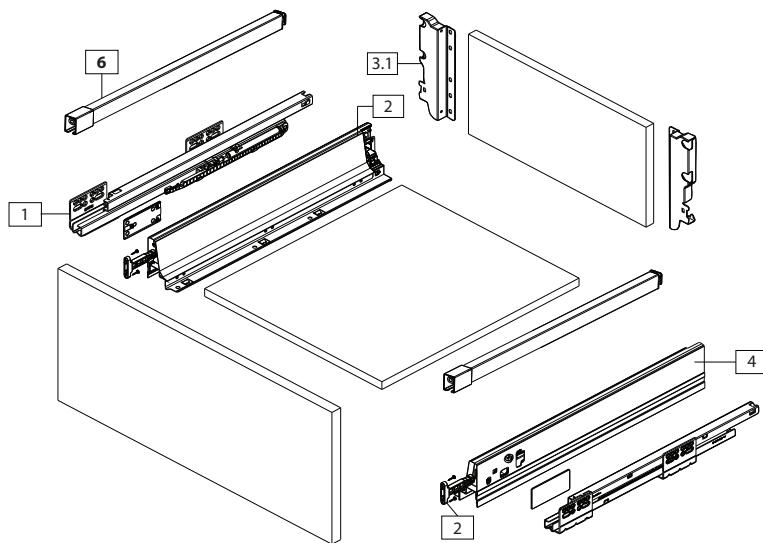
3.1 - BM4, tall fixing bracket (left & right)

4 - BM5, drawer sides (left & right)

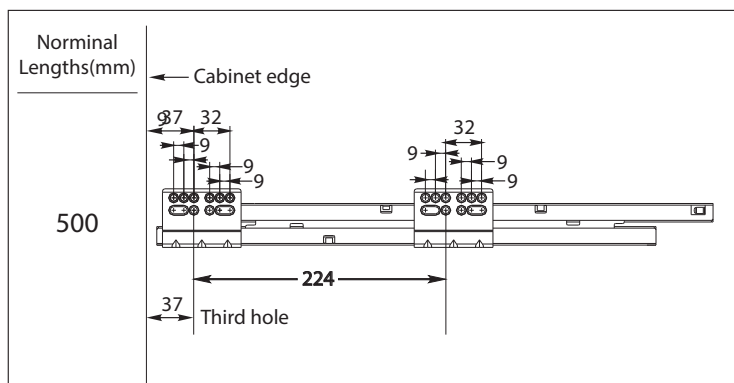
5 - BM7, cover caps

6 - BM6, square side rails (left & right)

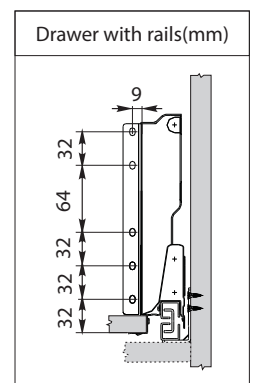
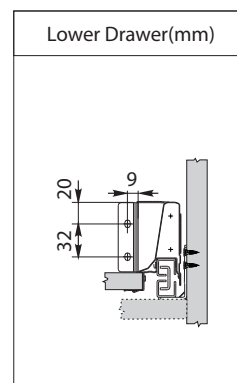
Drawer with rails



Screw Positions of the Slides

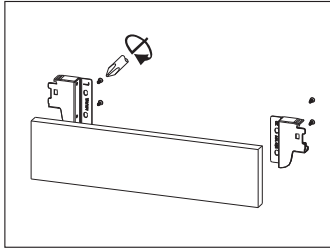


Back installation dimensions

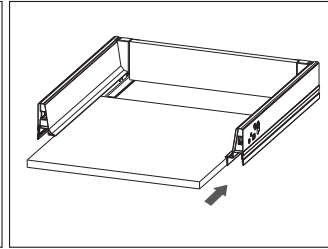
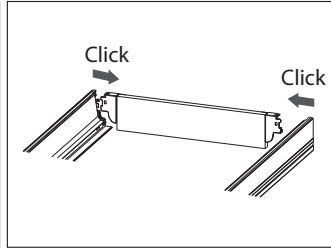


Assembly

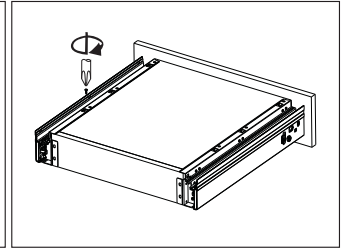
Installation Instruction



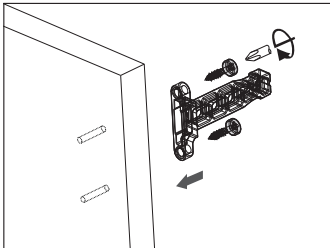
Assembly - Back



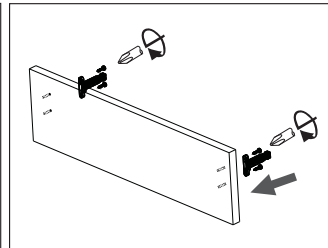
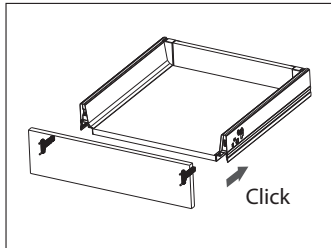
Assembly - Bottom



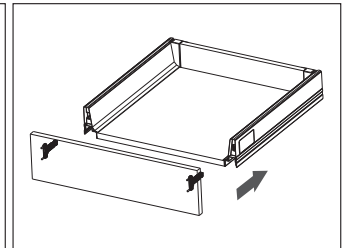
Fix Screws



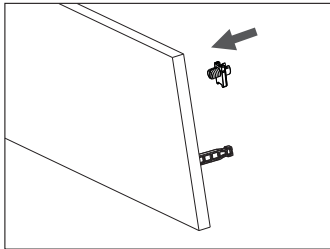
Assembly - Front



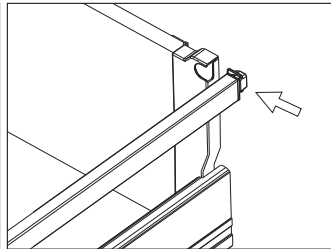
Assembly - Front



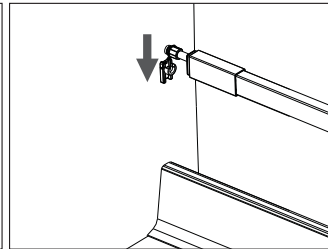
Drawer with rails



Assembly - Front

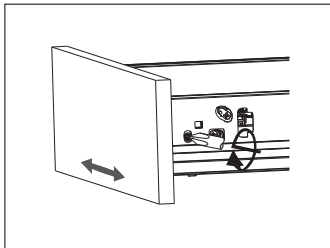


Assembly - Back

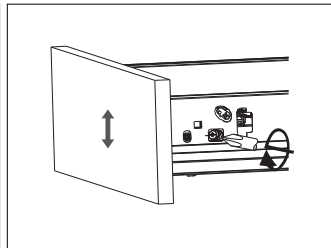


Fit the front

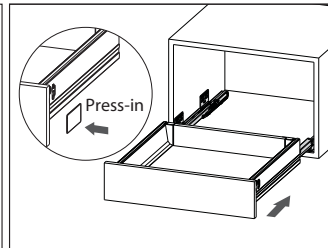
Adjustment



Left & Right adjustment

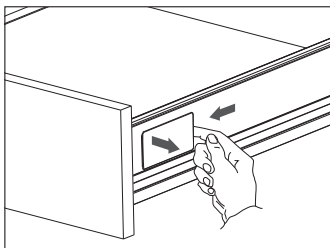


Up & Down adjustment

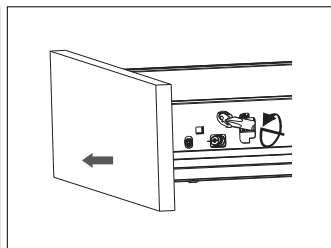


Slide into the cabinet

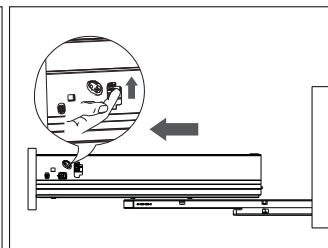
Removal



Tip up the cover and pull out



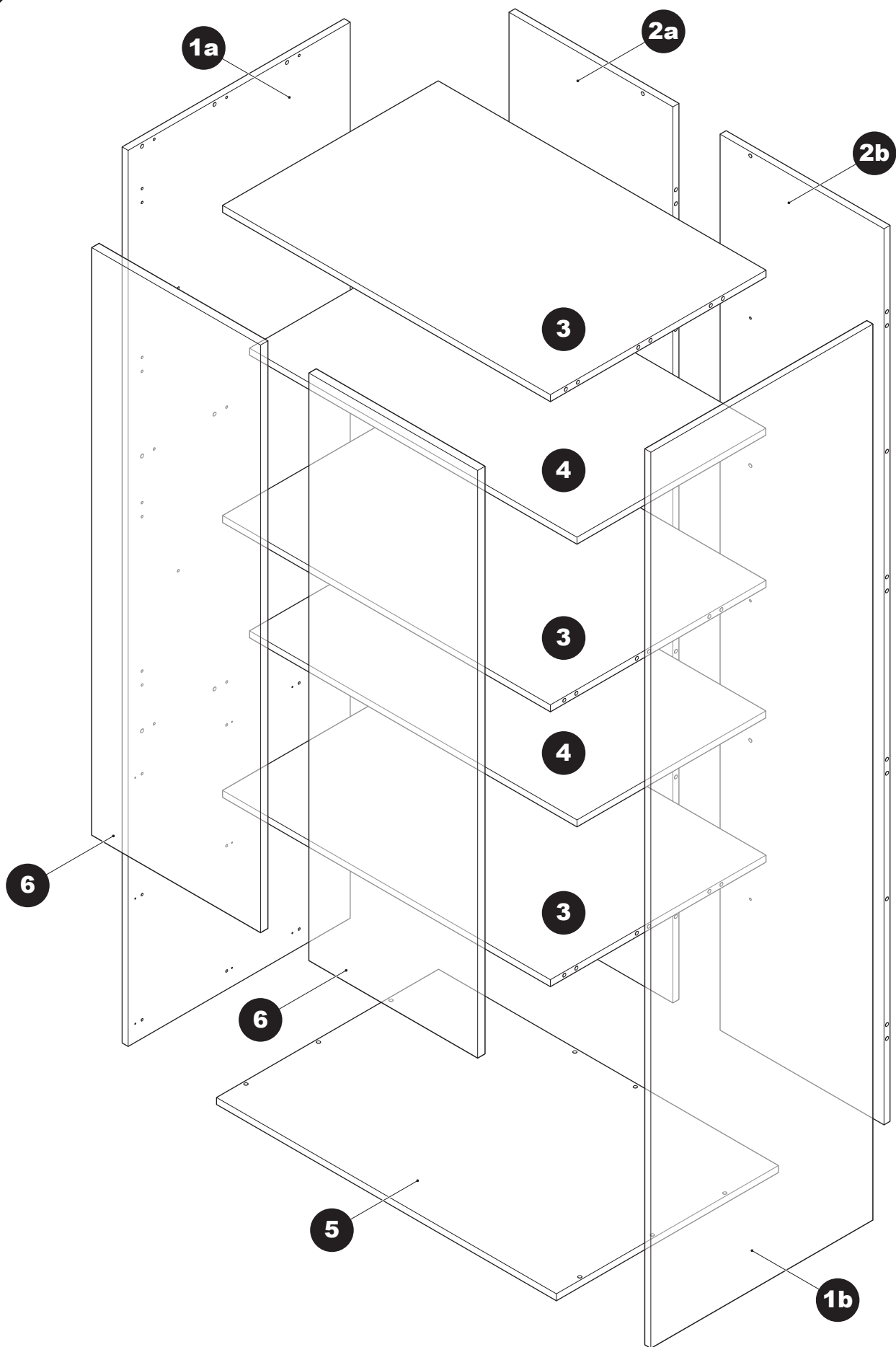
Turn screw driver to release the drawer front



Lift the release handle and pull out the drawer

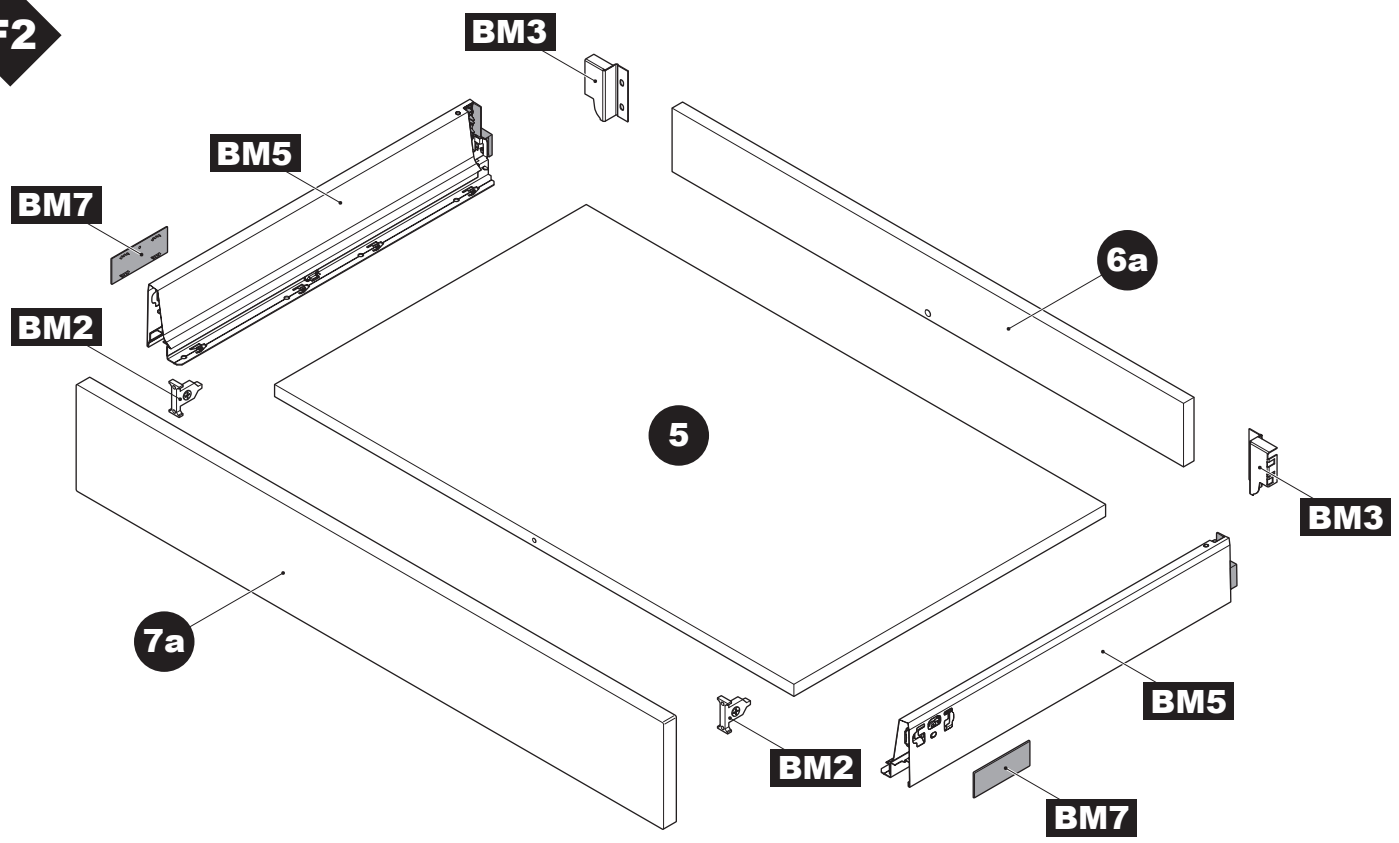


F1

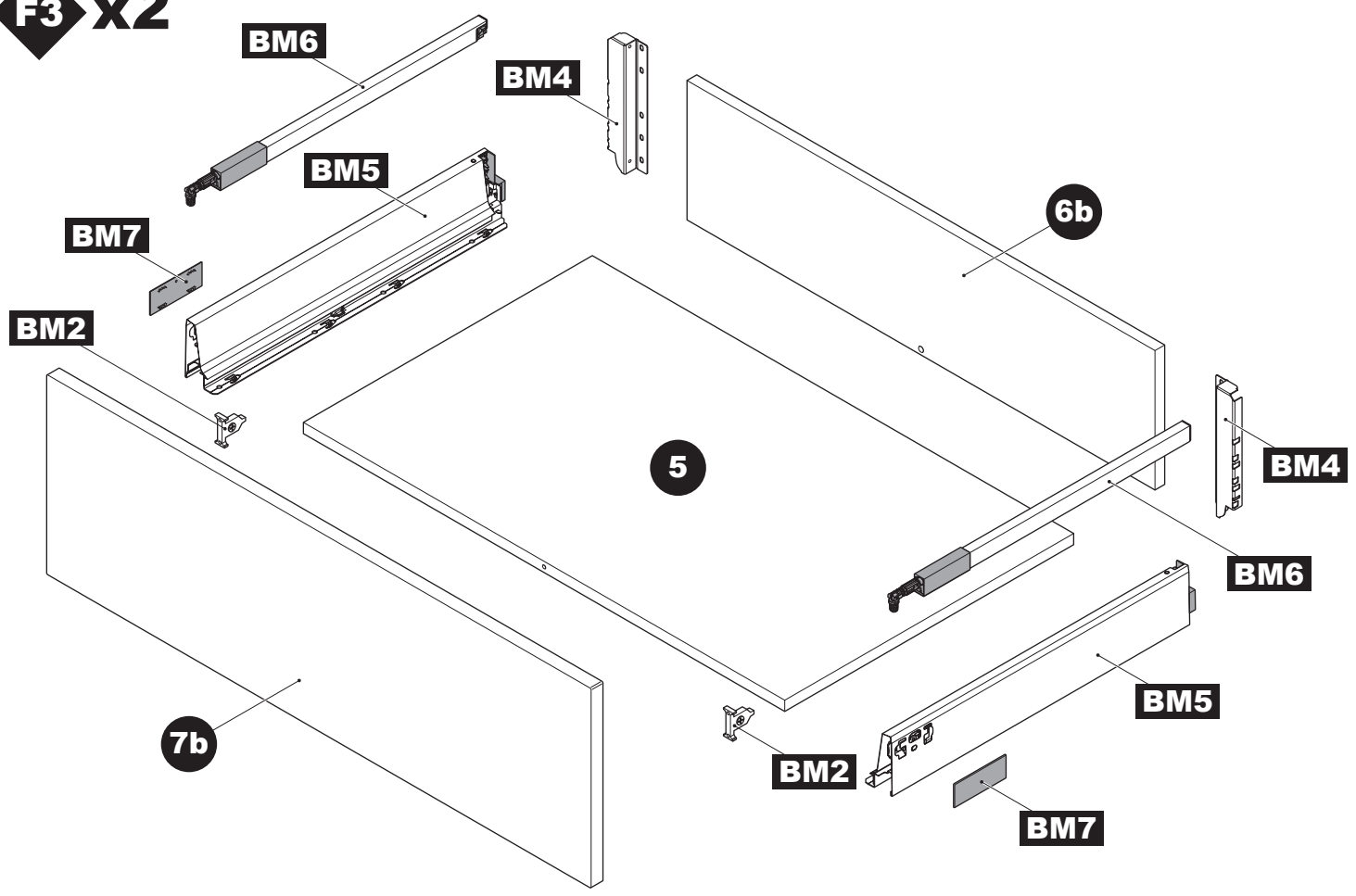




F2

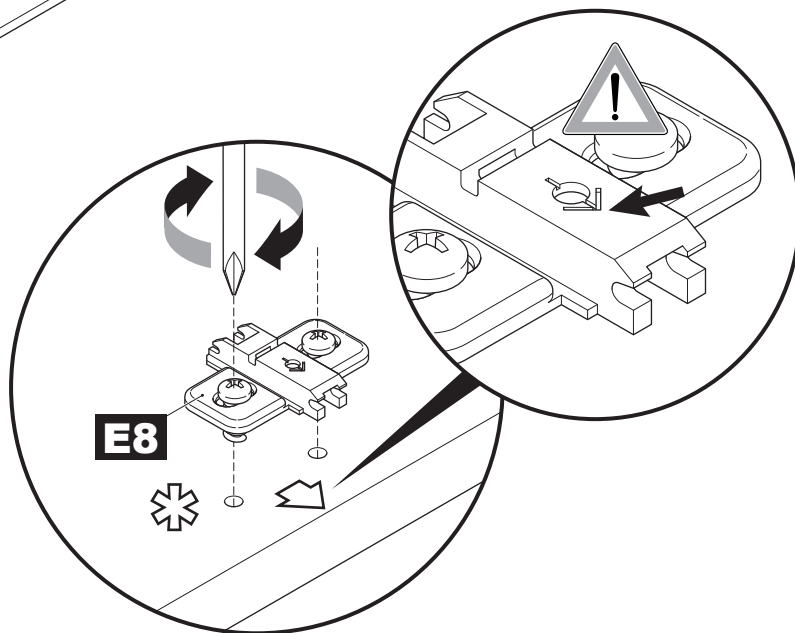
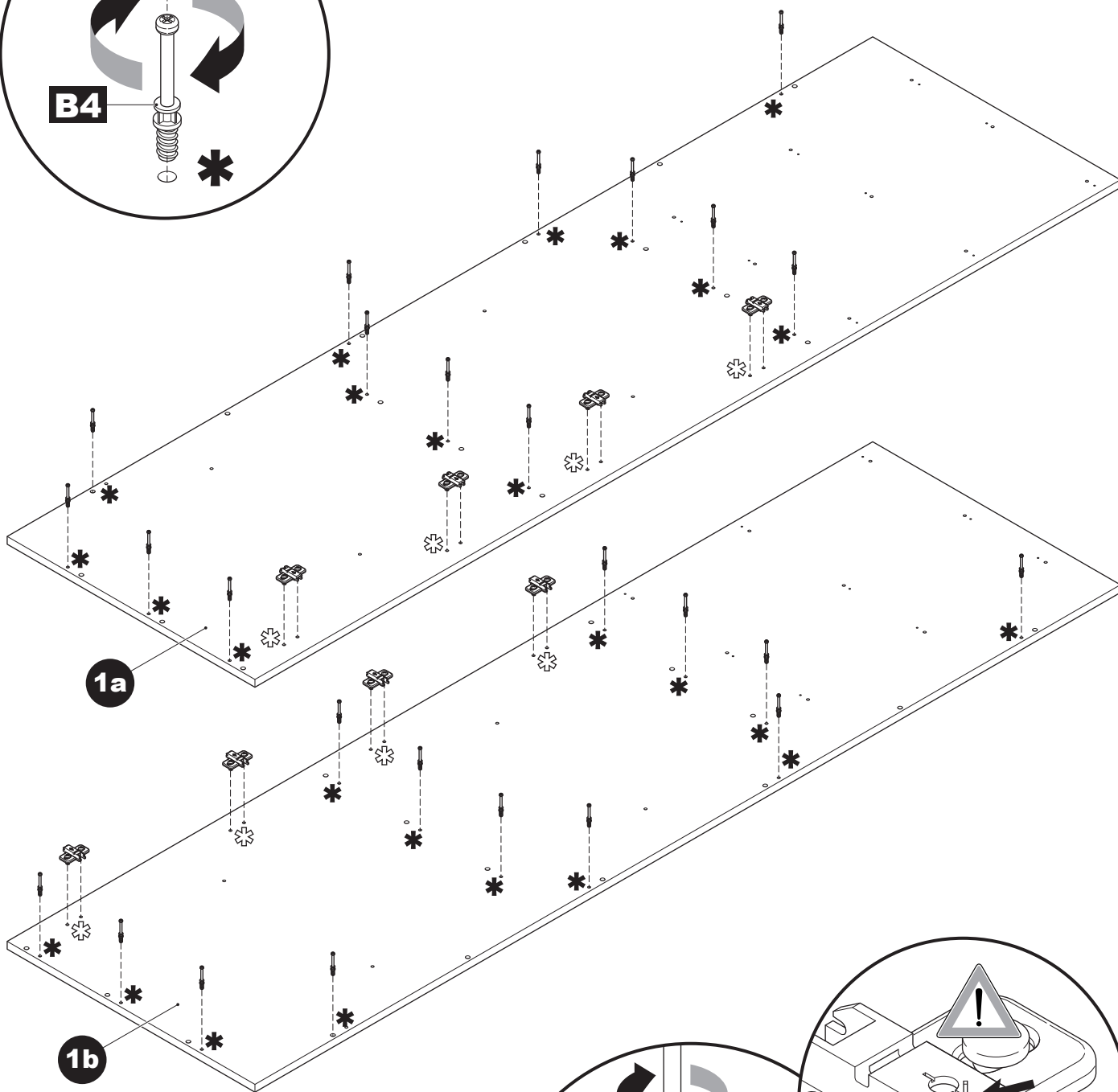
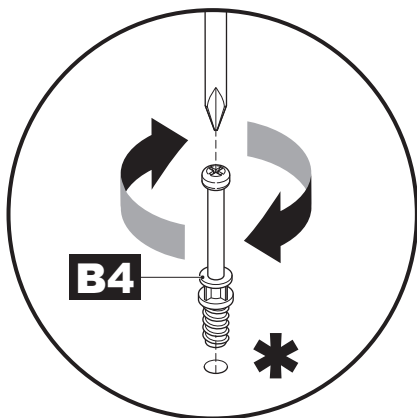


F3 x2



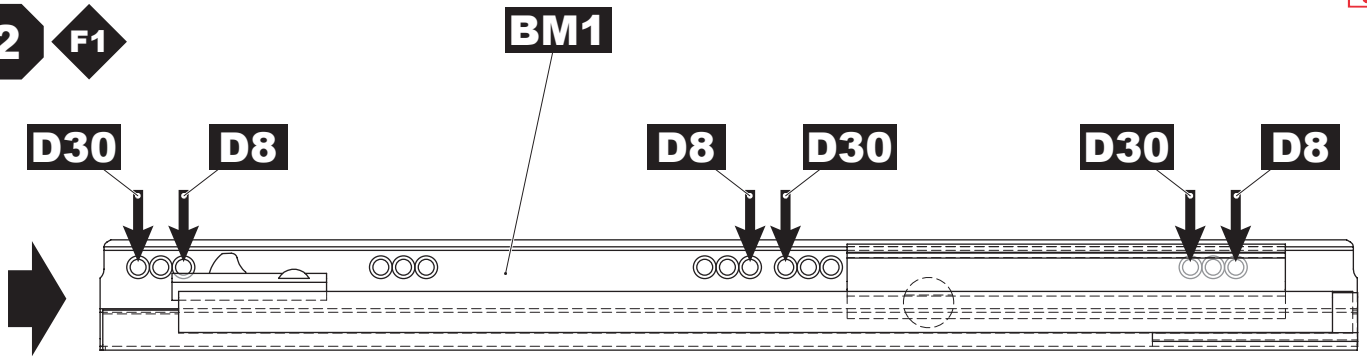


1 **F1**

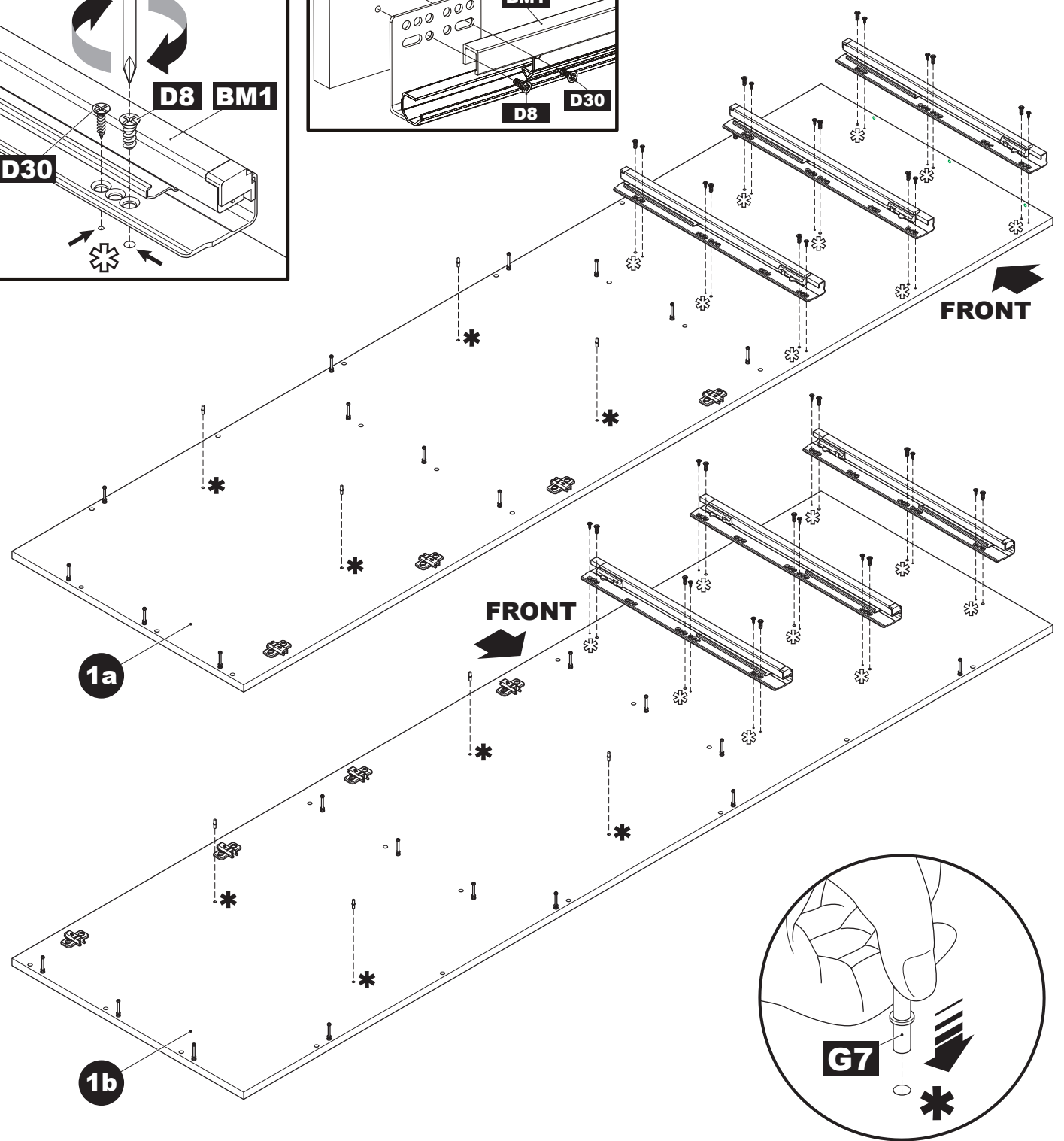
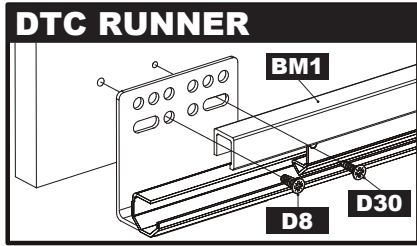
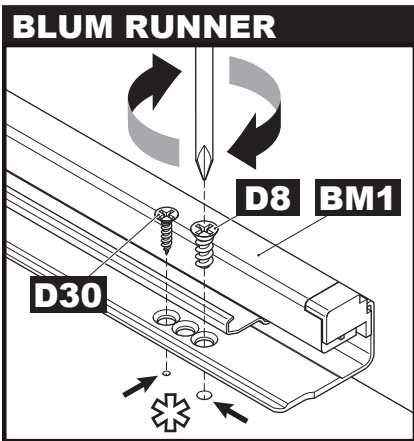




2 **F1**

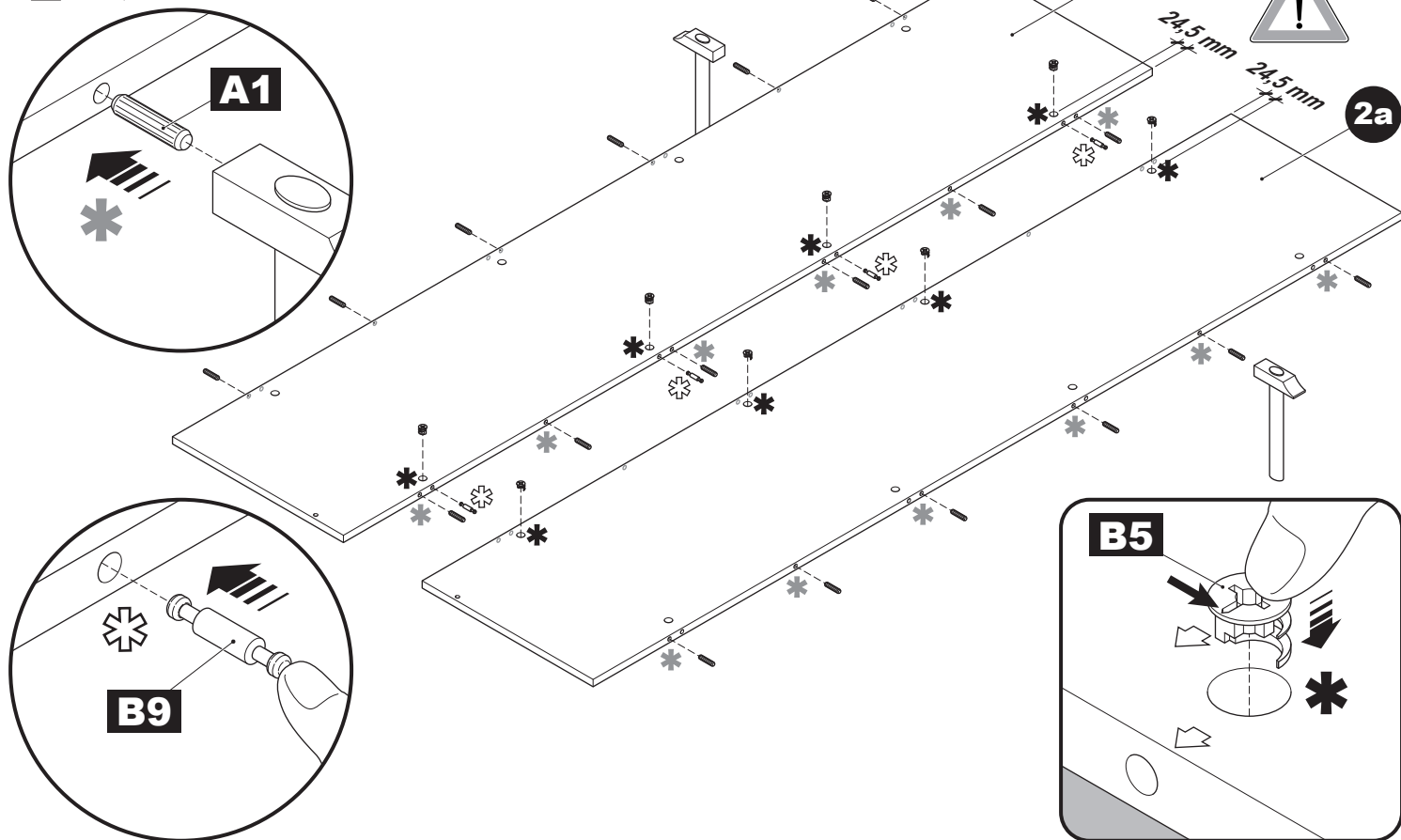


FRONT

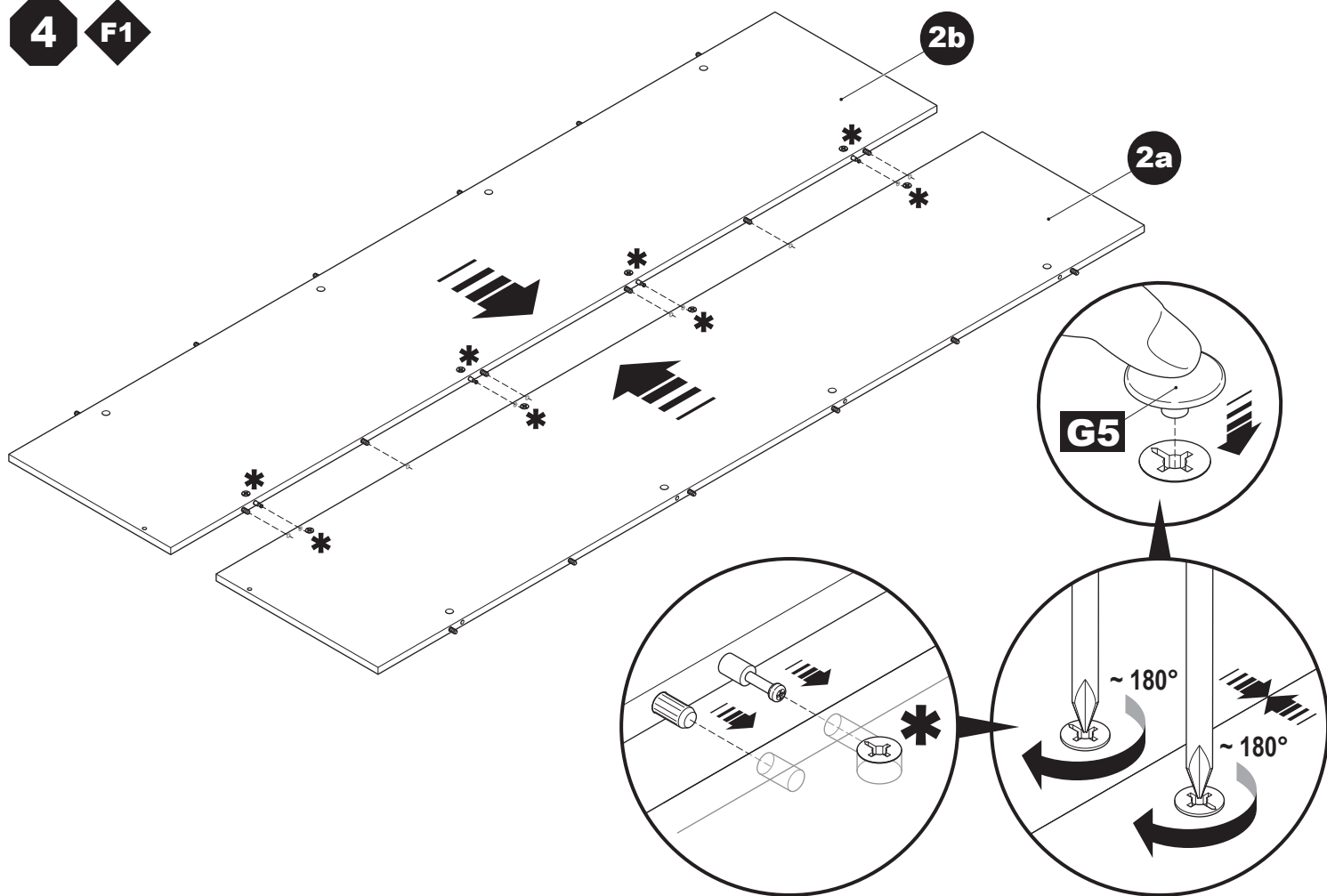




3 **F1**

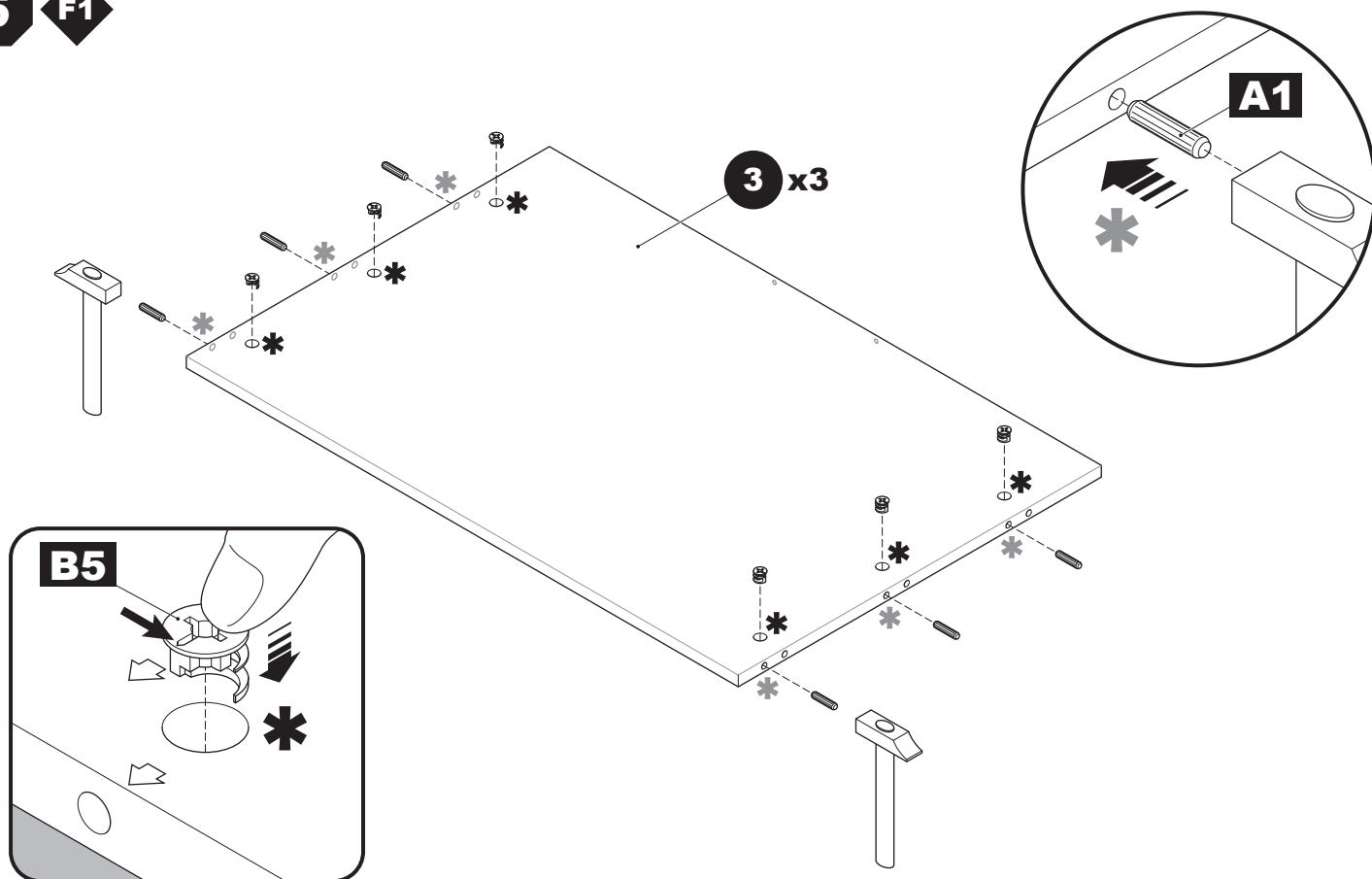


4 **F1**

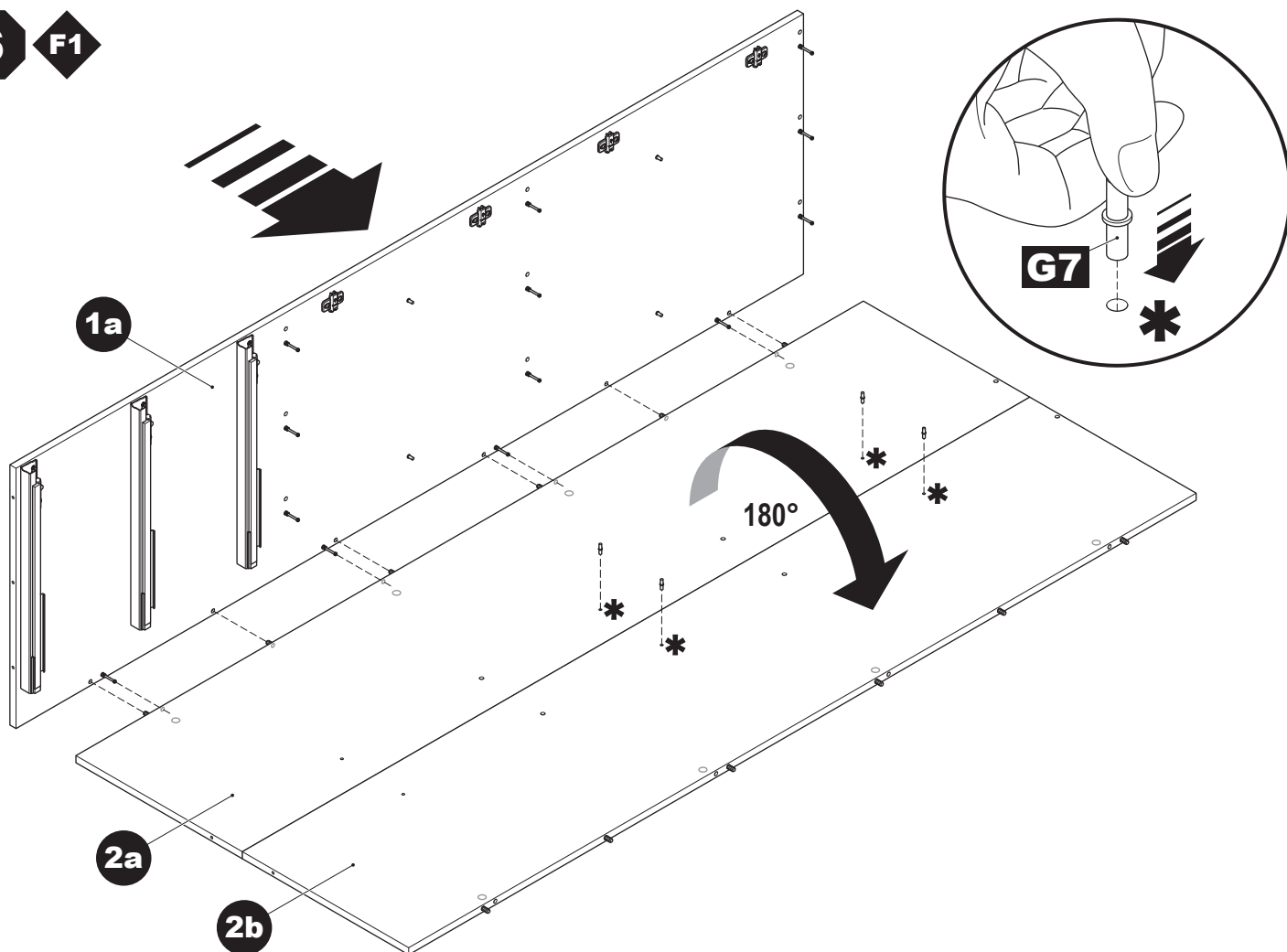




5 **F1**

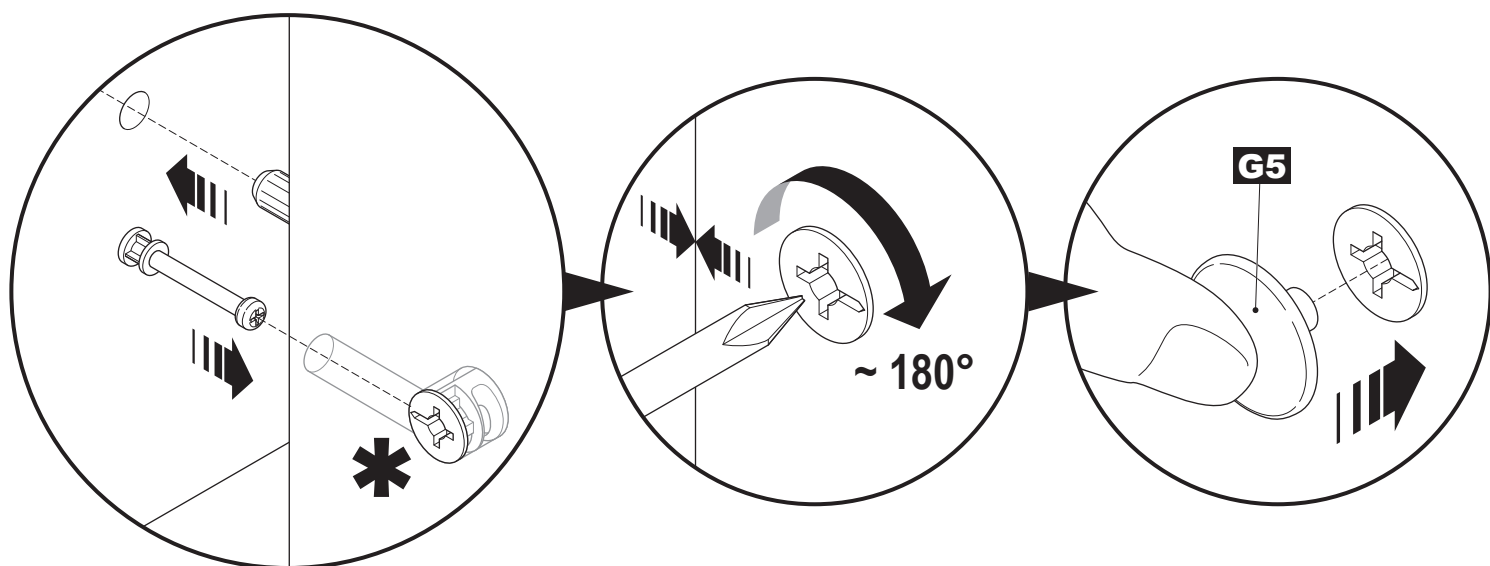
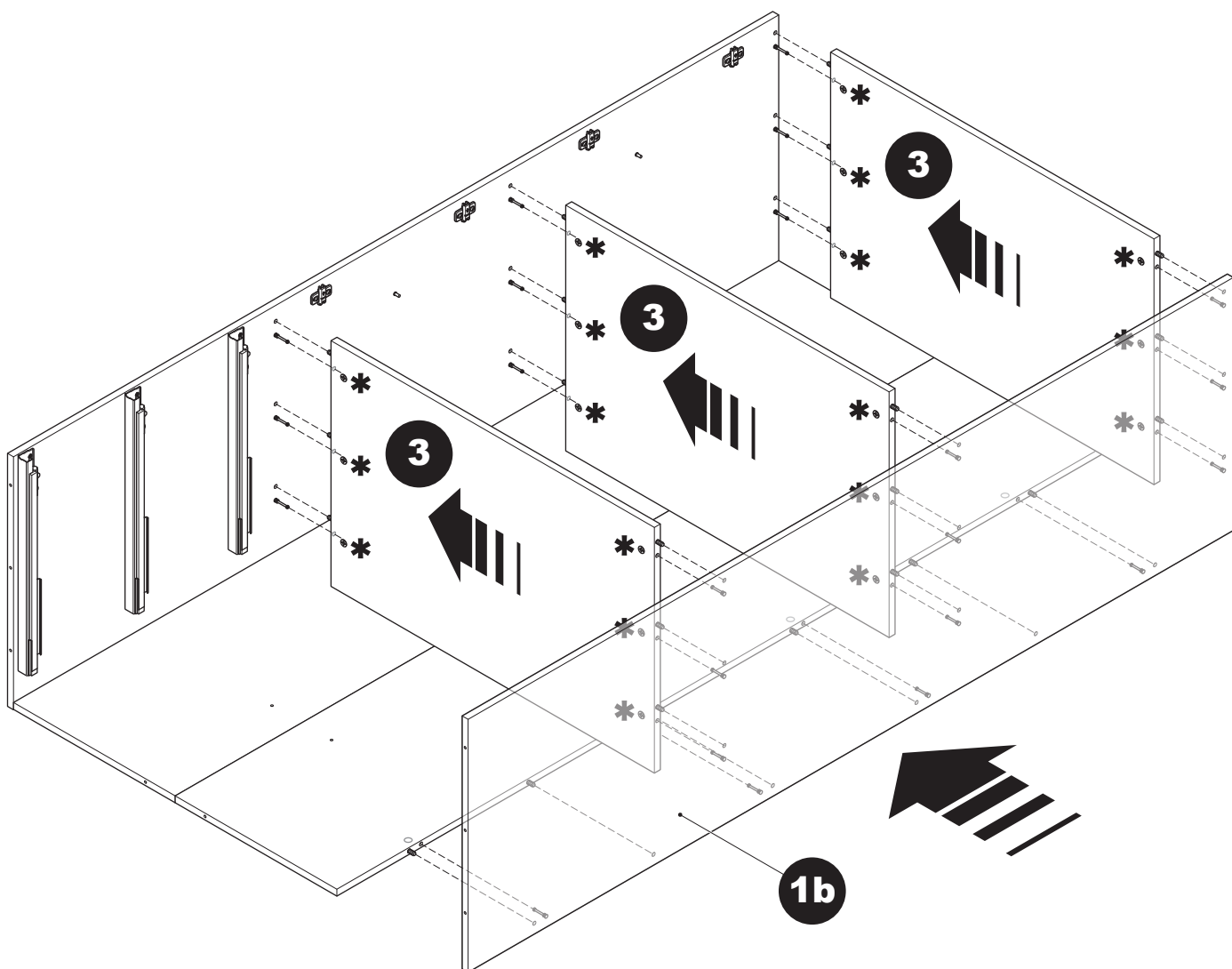


6 **F1**



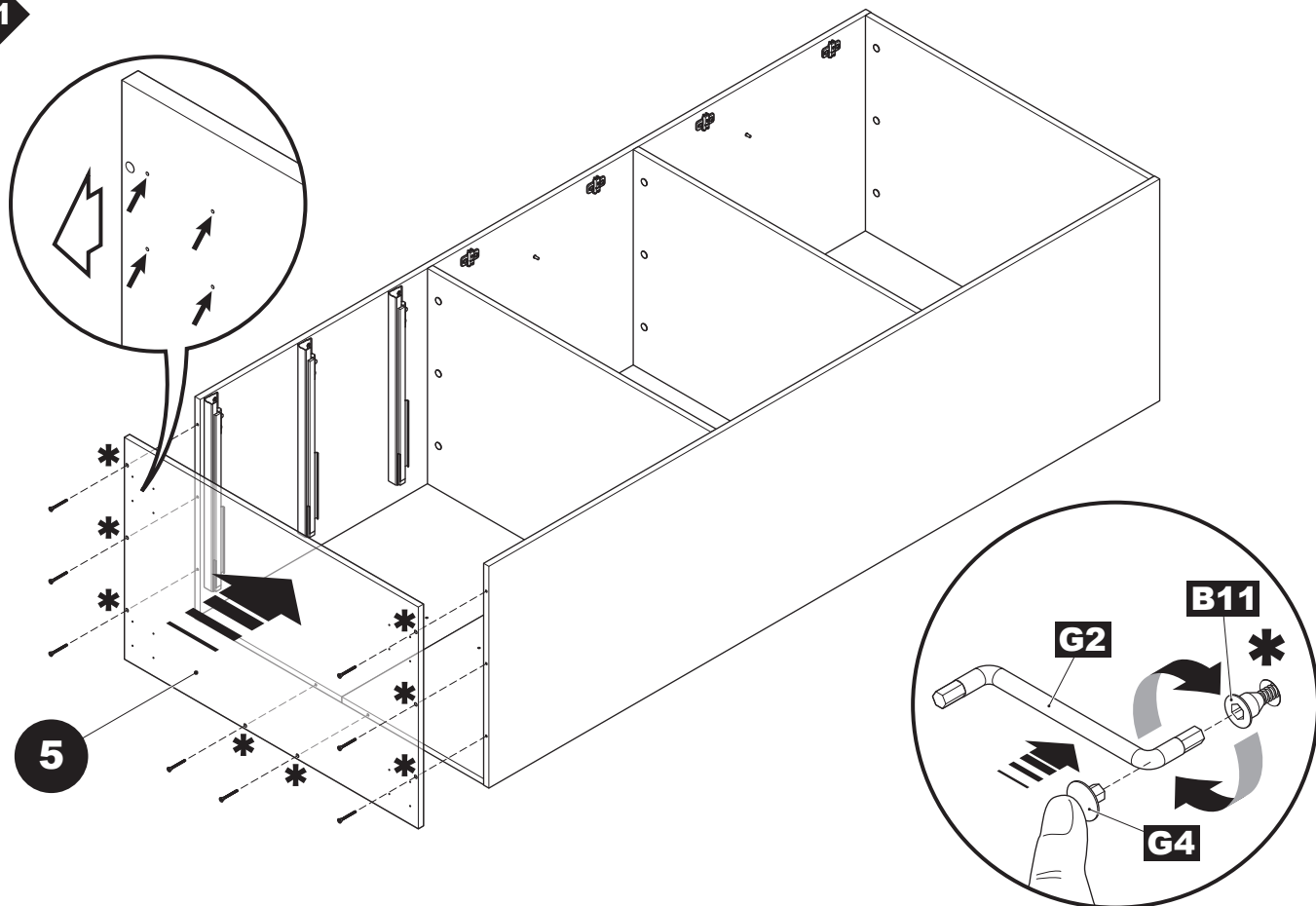


7 **F1**

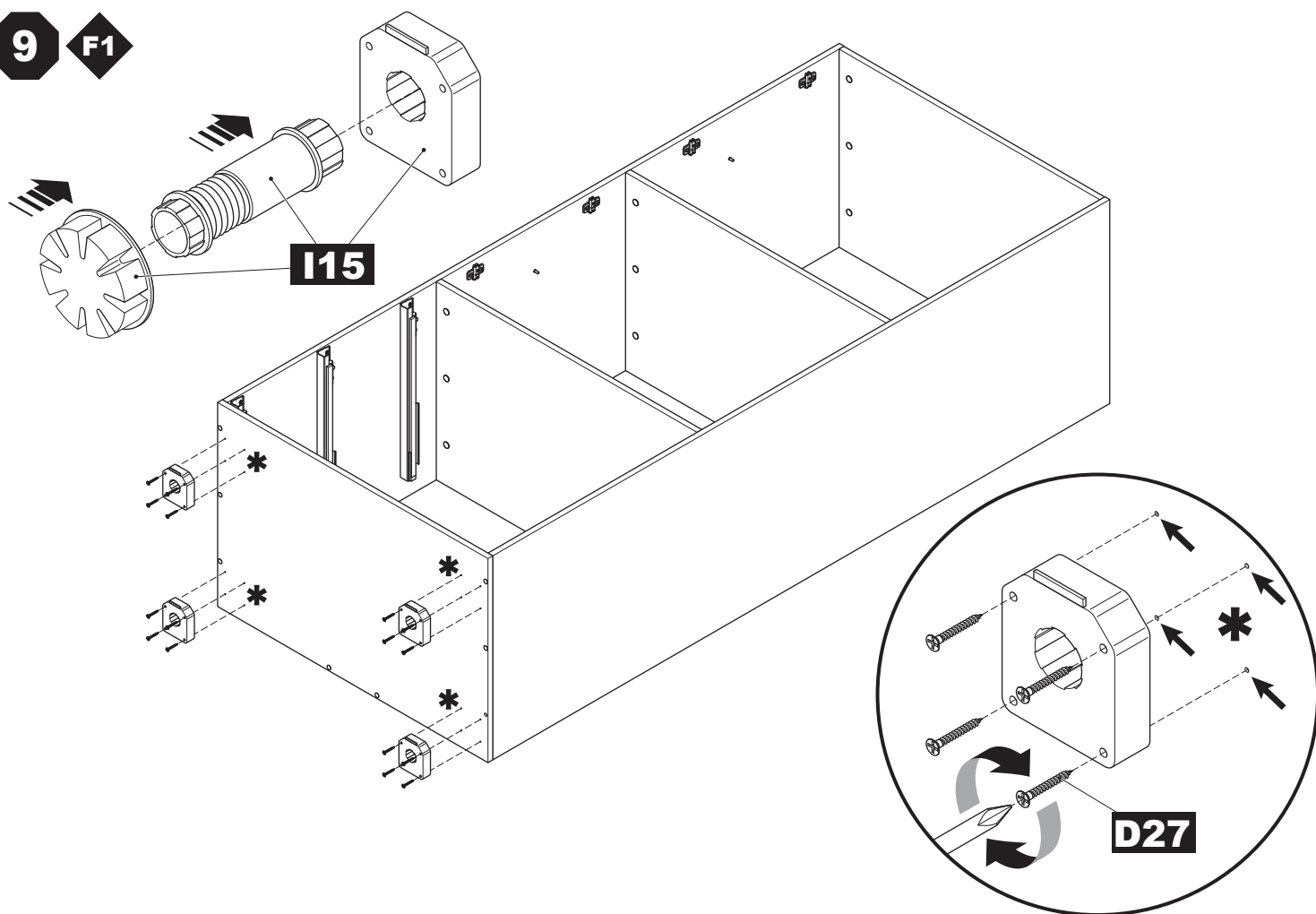




8 **F1**

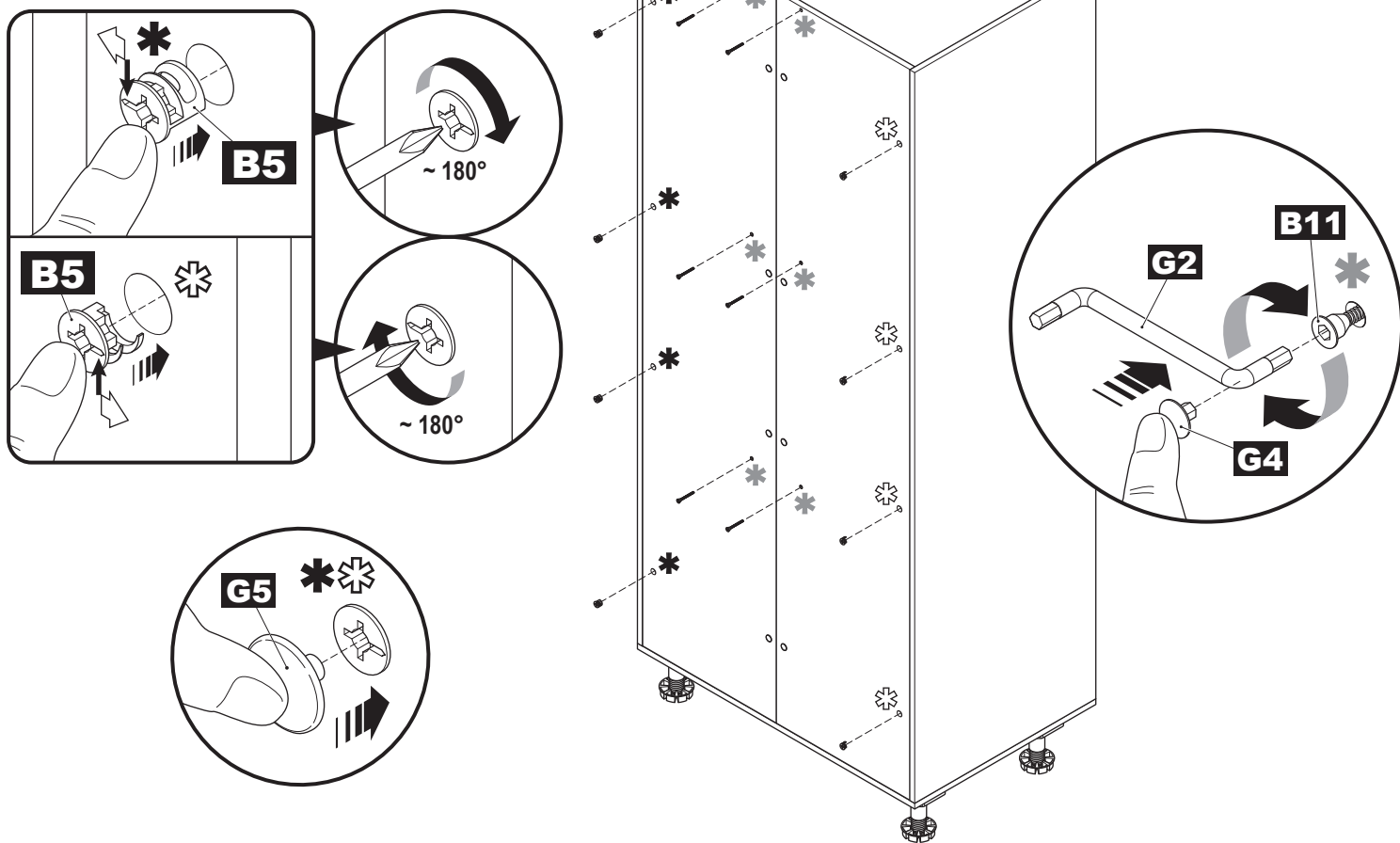


9 **F1**

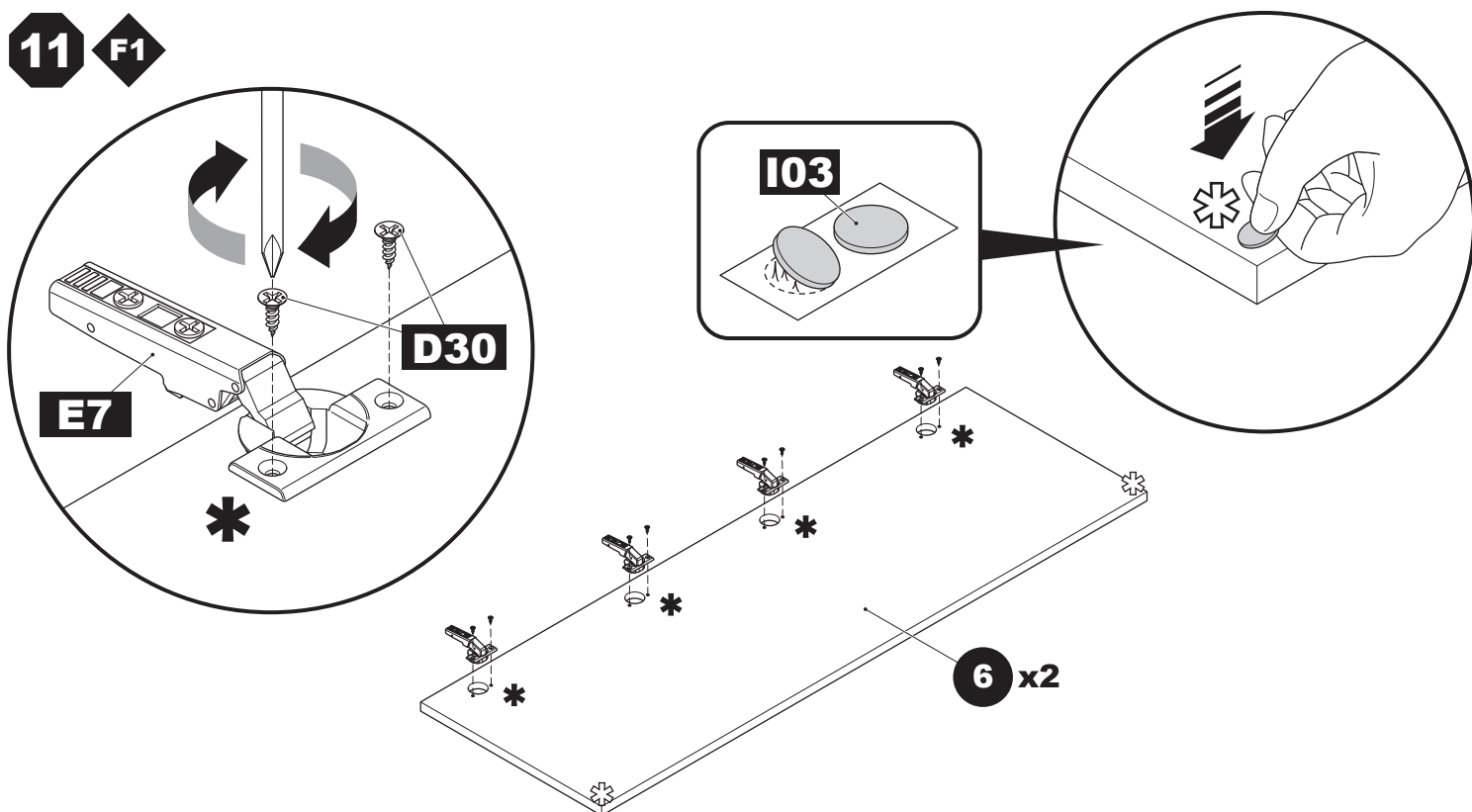




10 **F1**

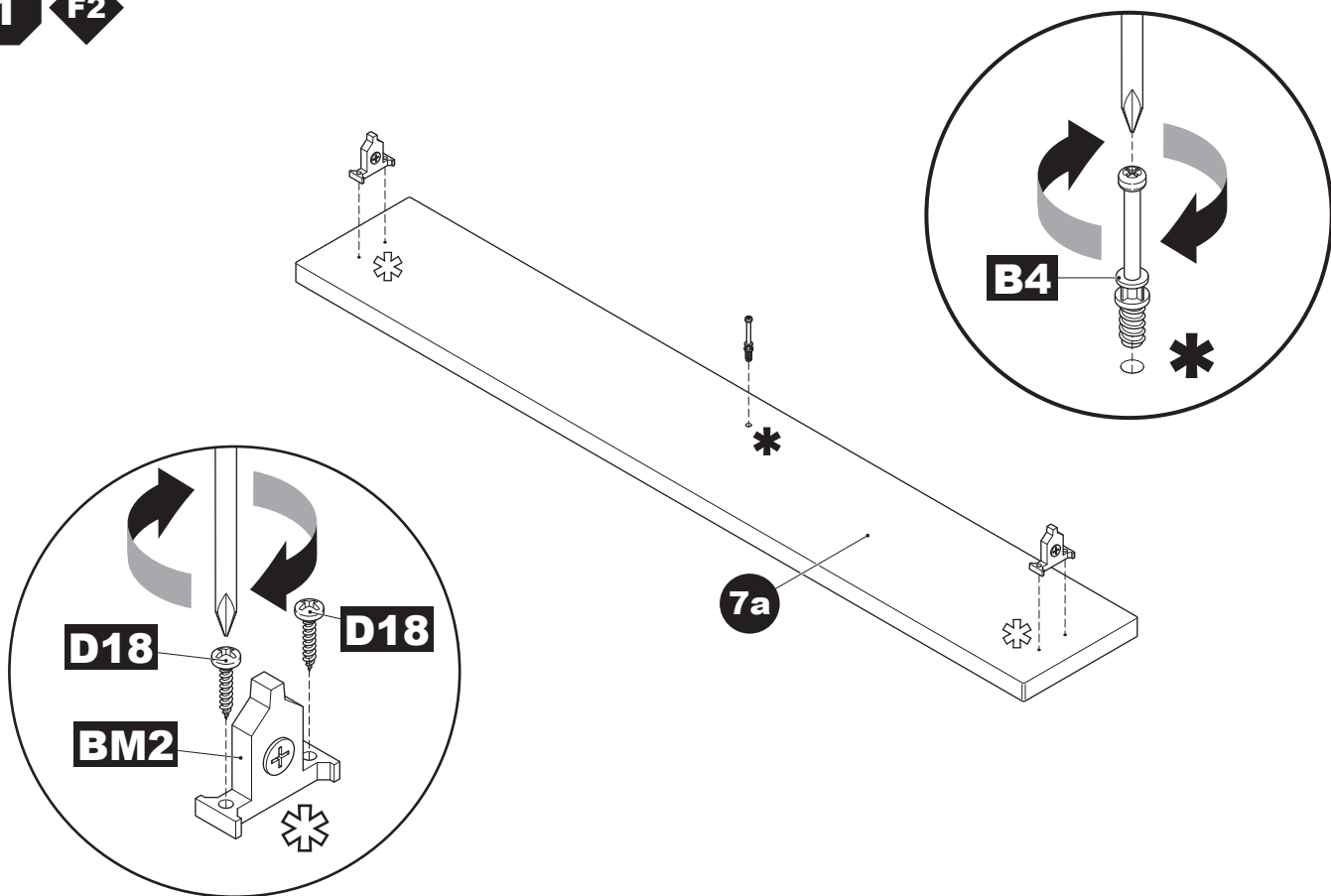


11 **F1**

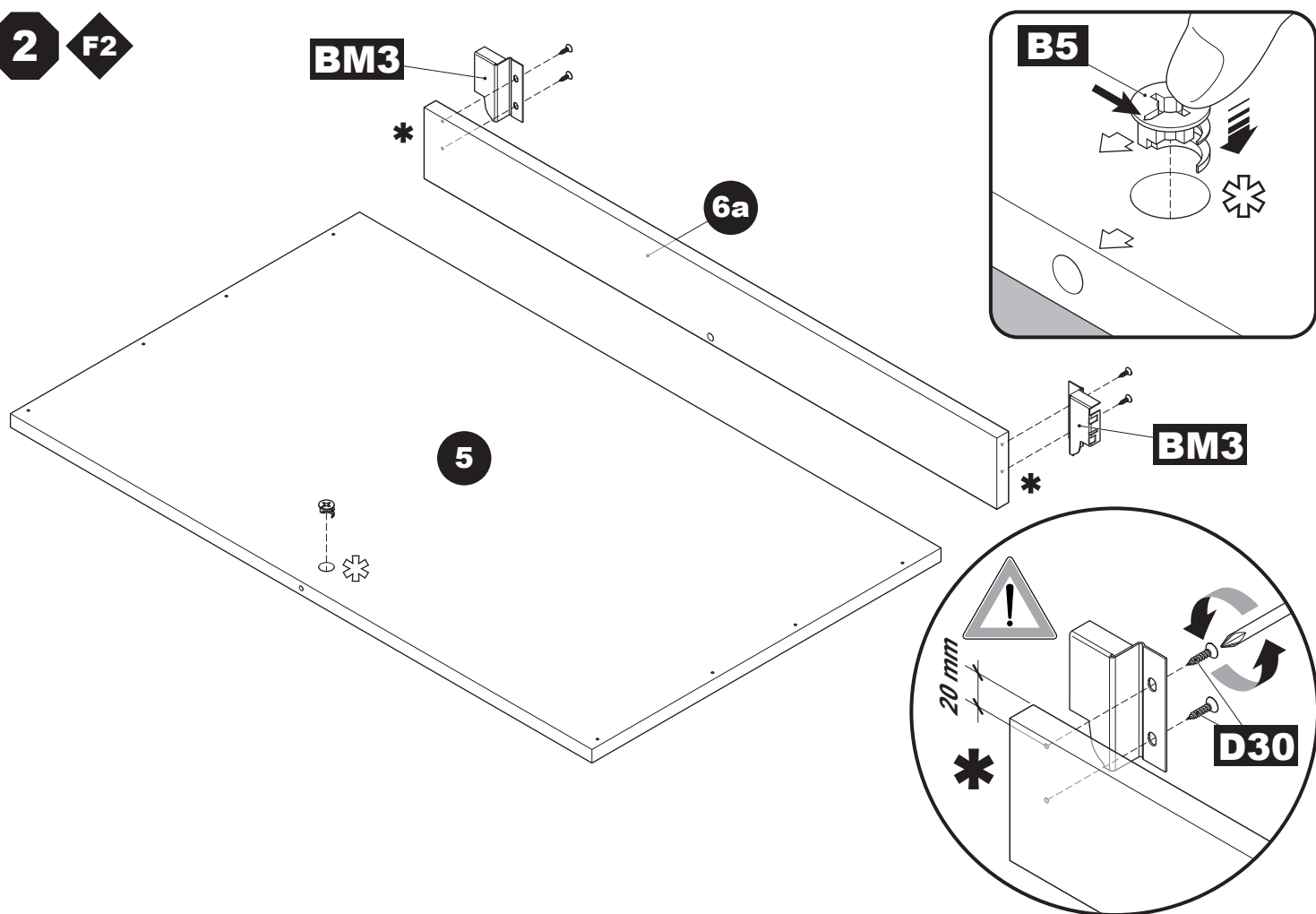




1 **F2**

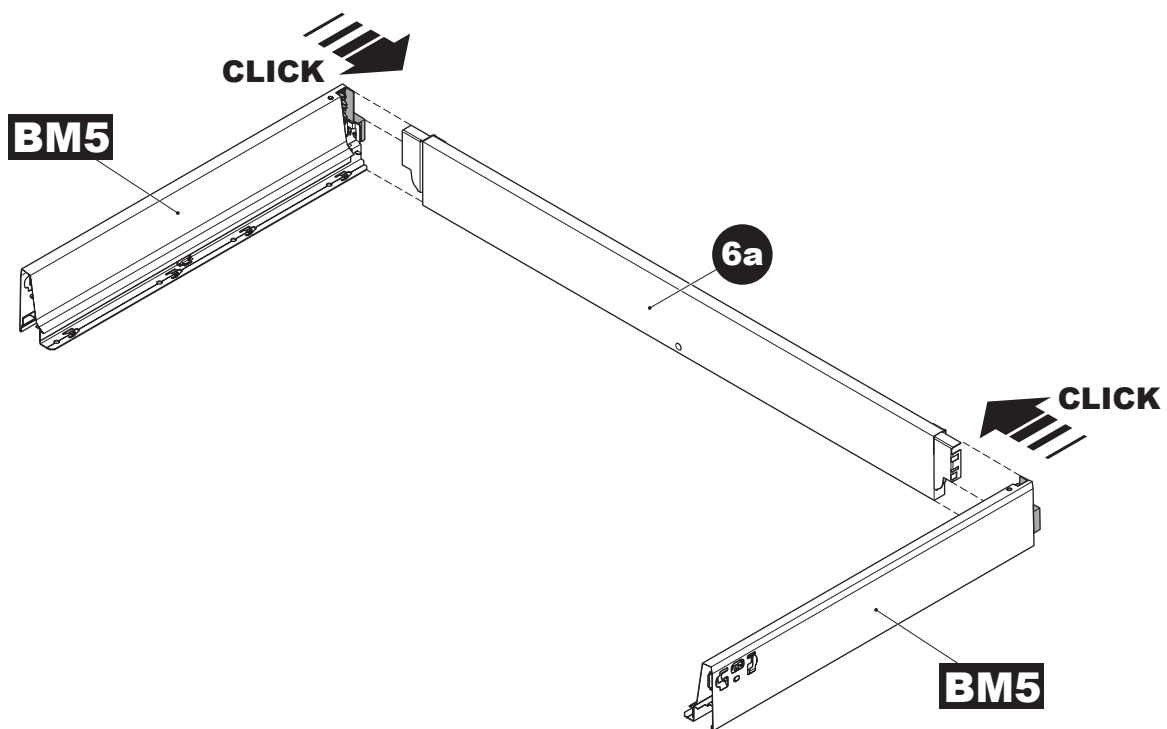


2 **F2**

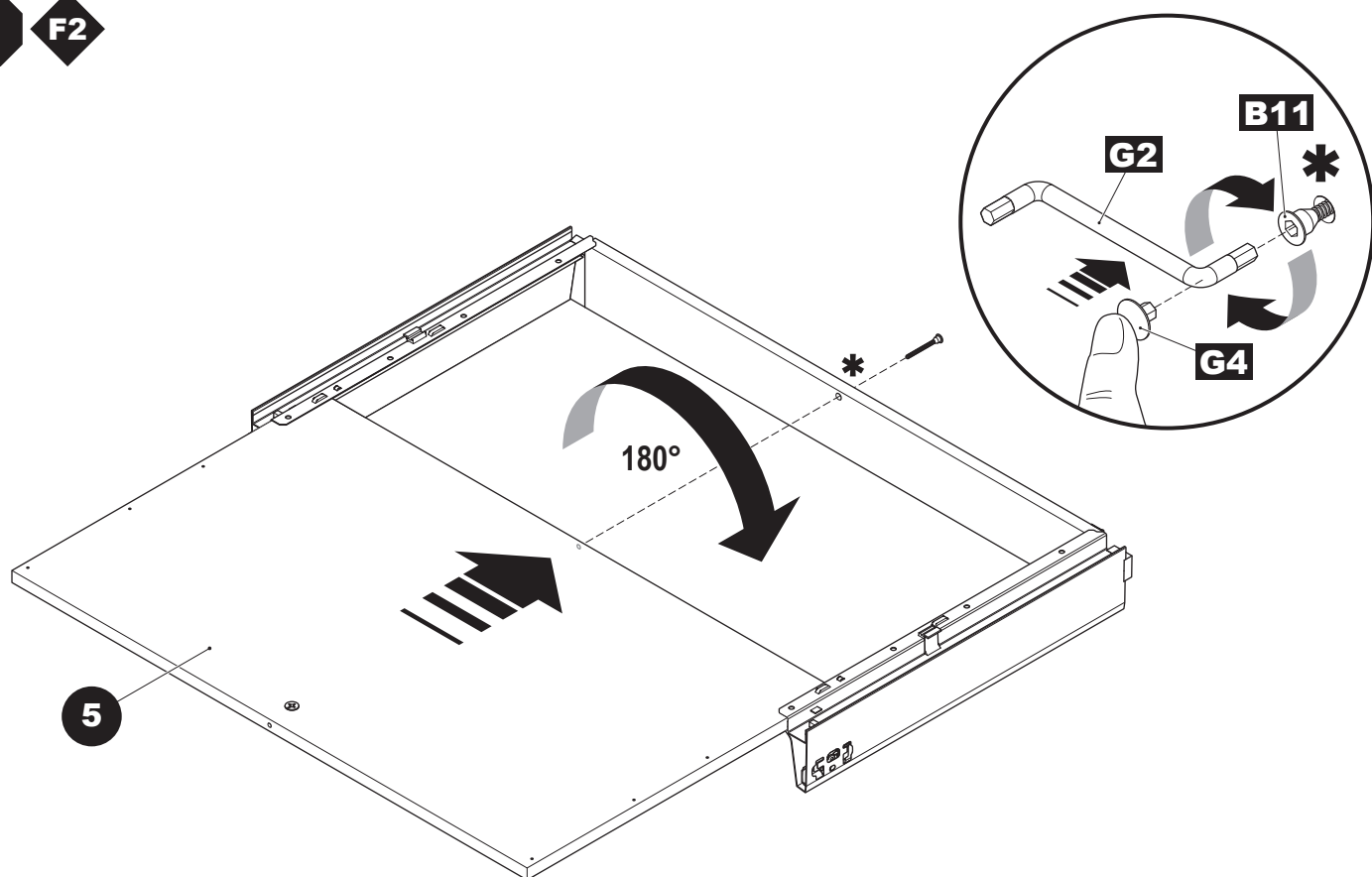




3 **F2**

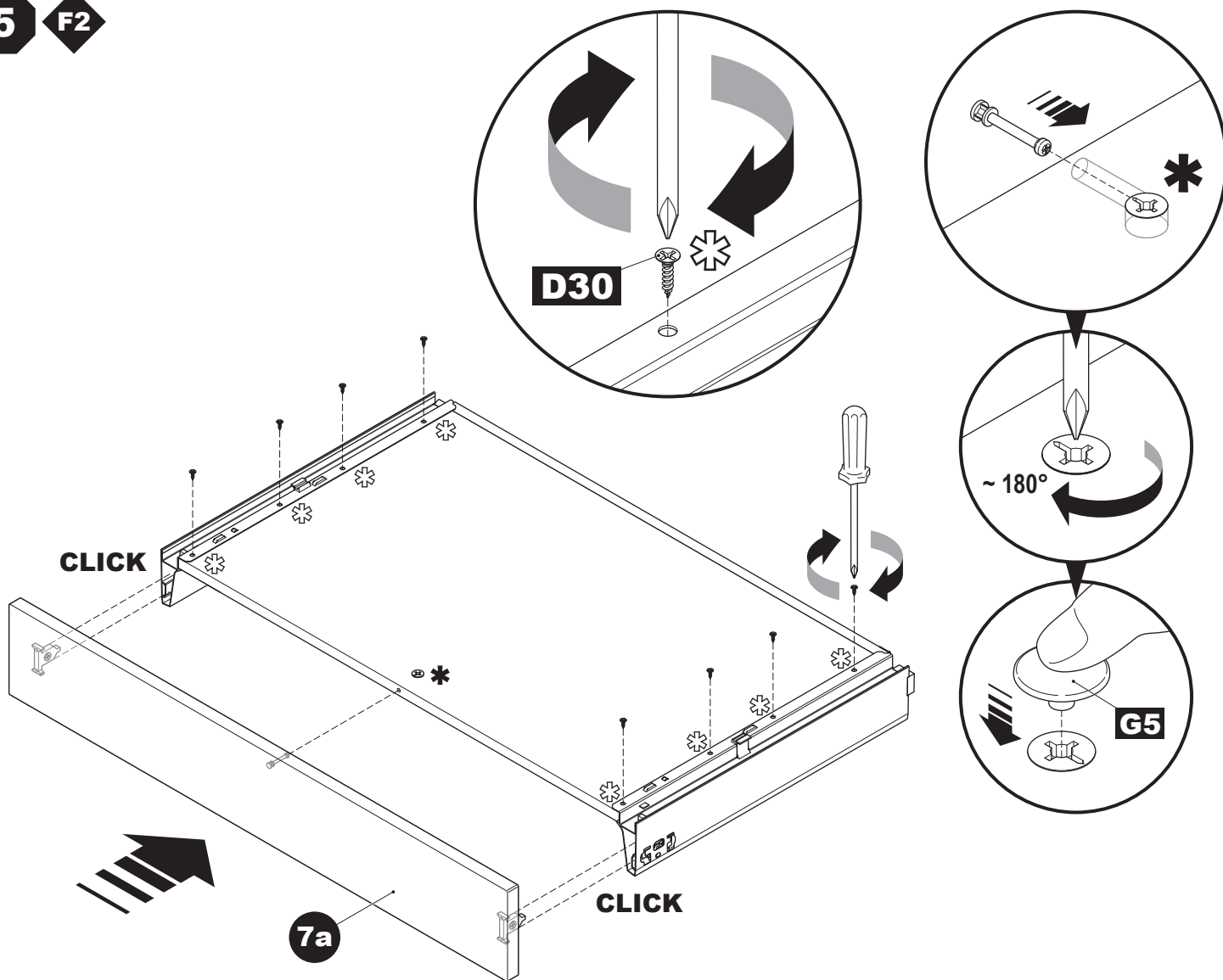


4 **F2**

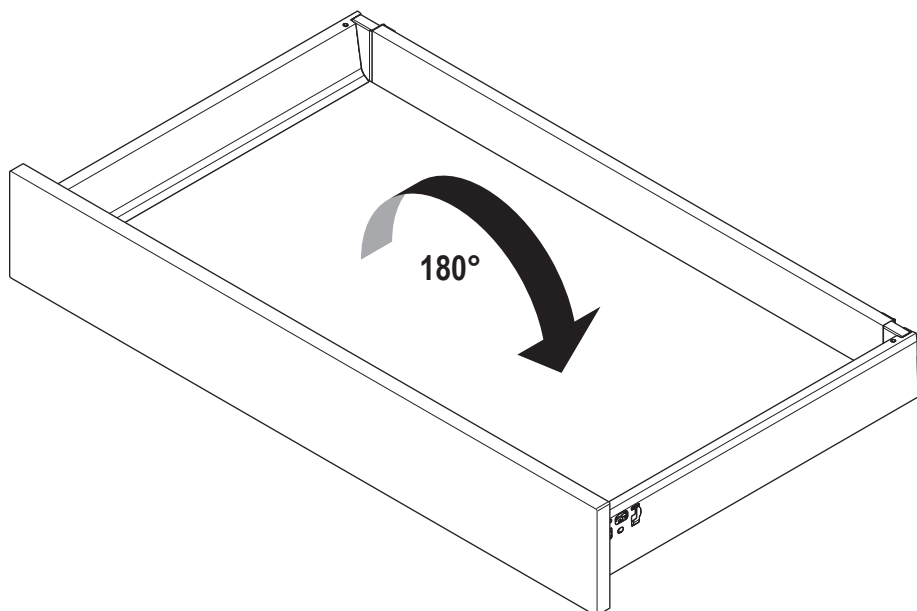




5 **F2**

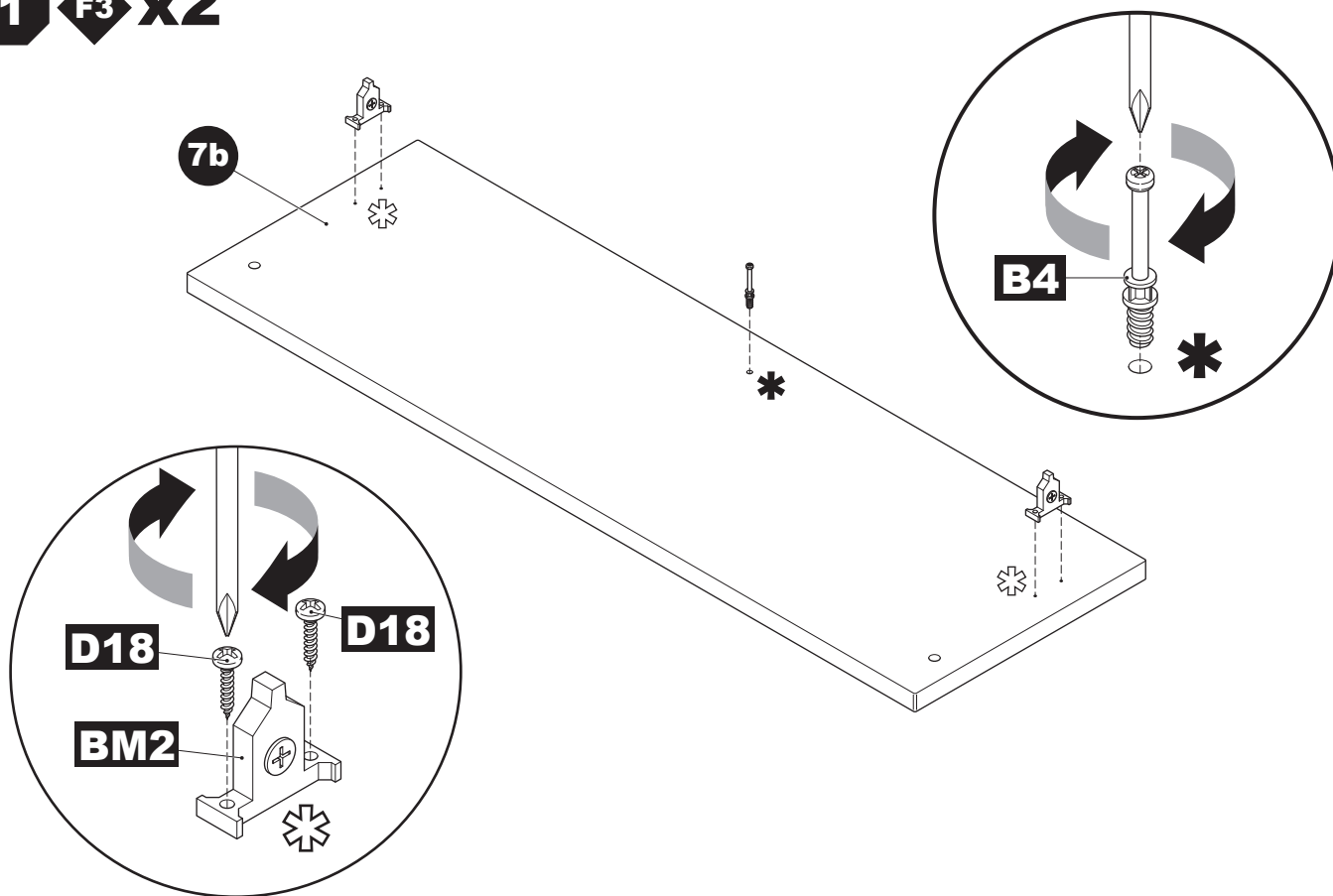


6 **F2**

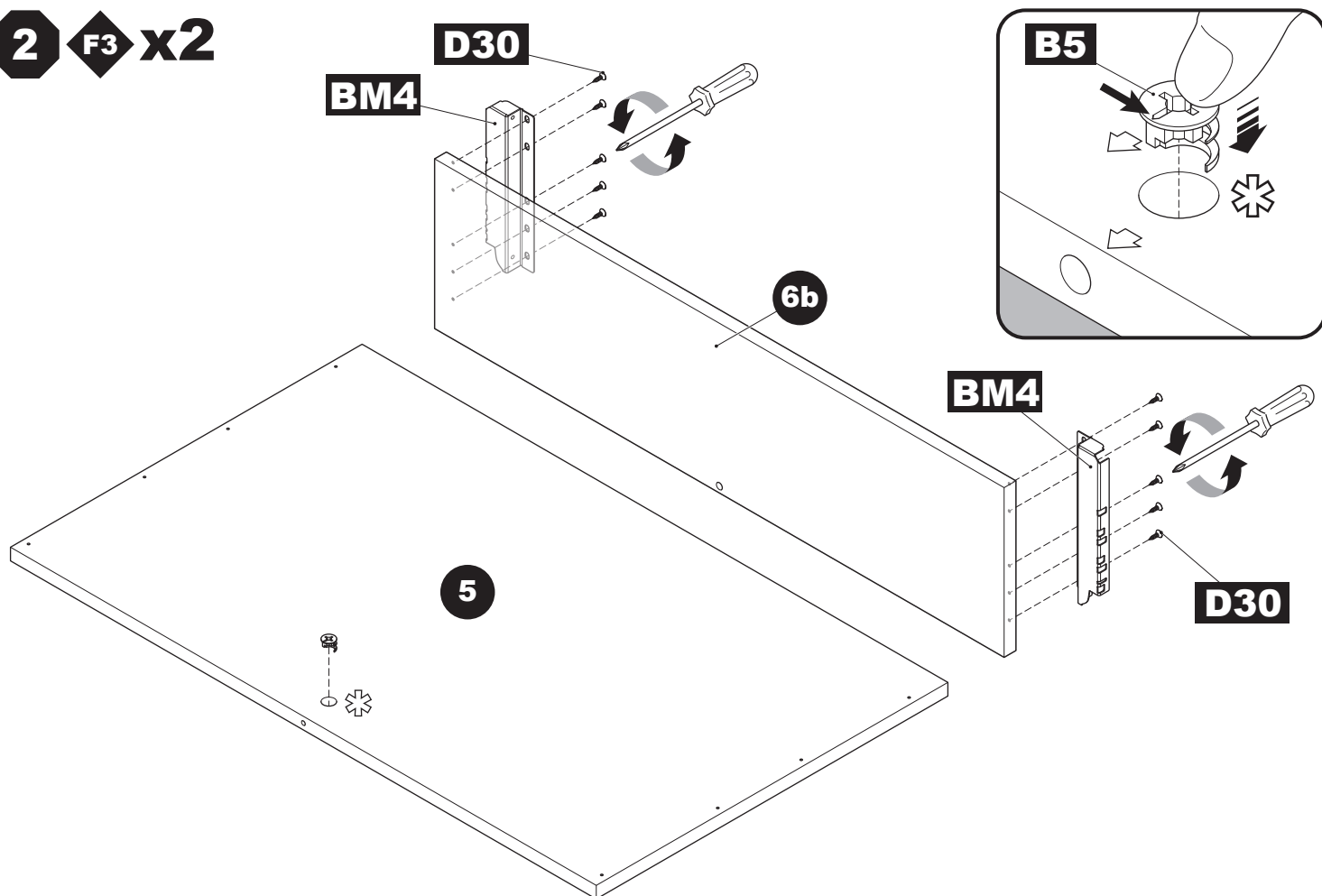




1 **F3** **x2**

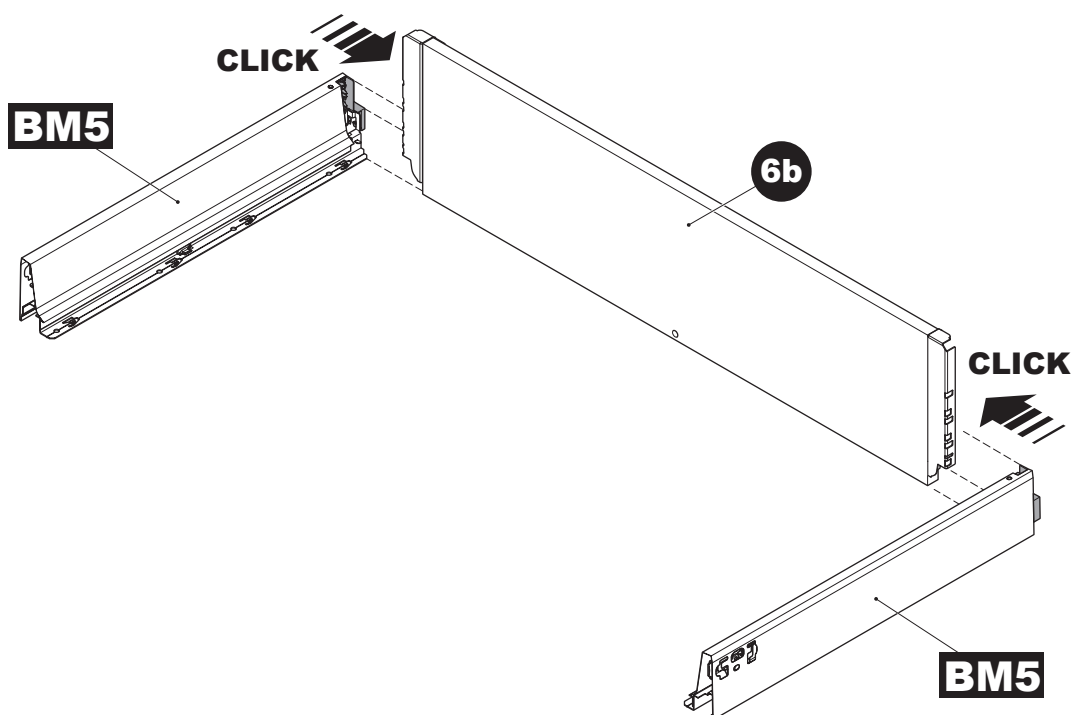


2 **F3** **x2**

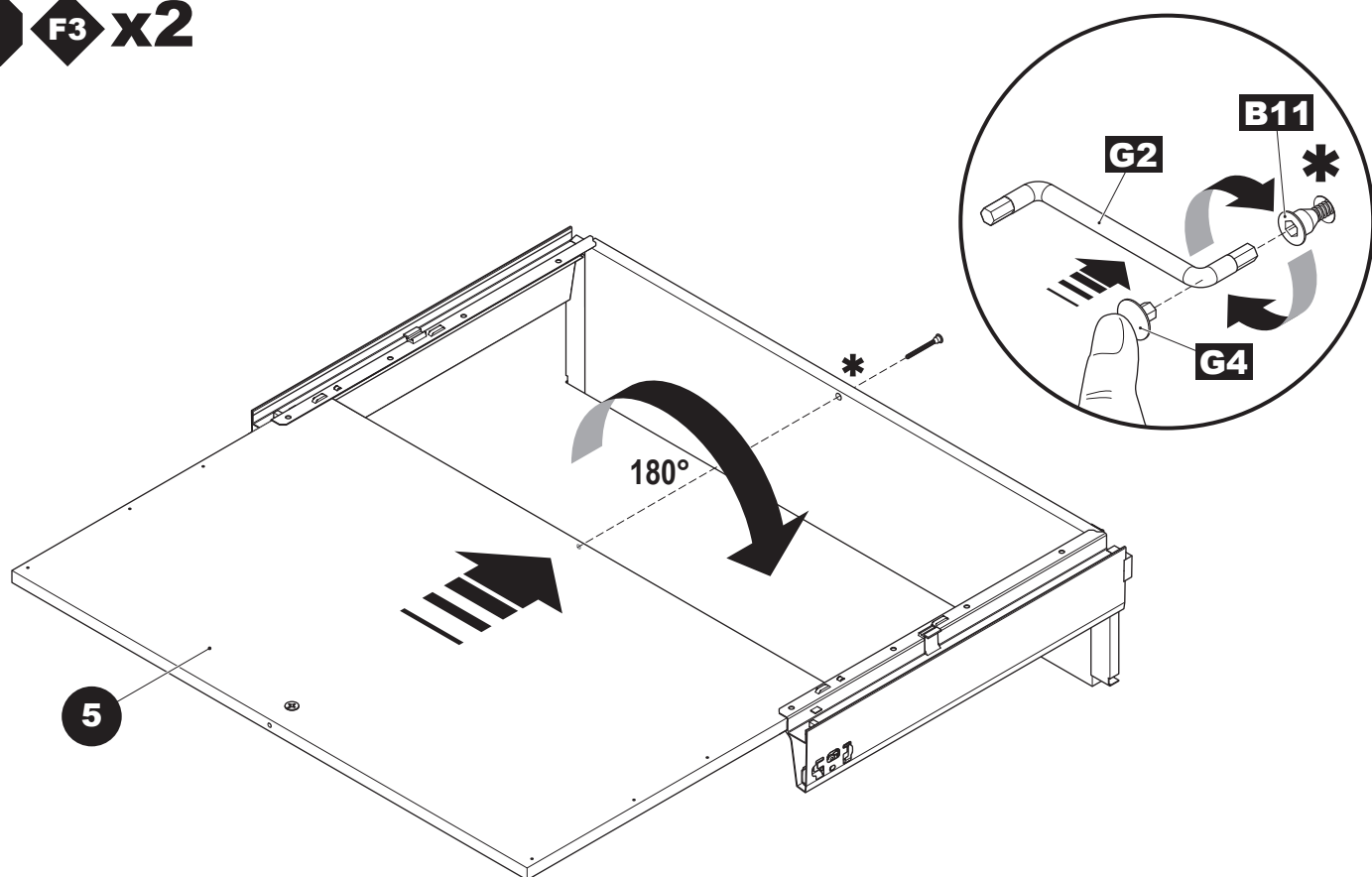




3 **F3** **x2**

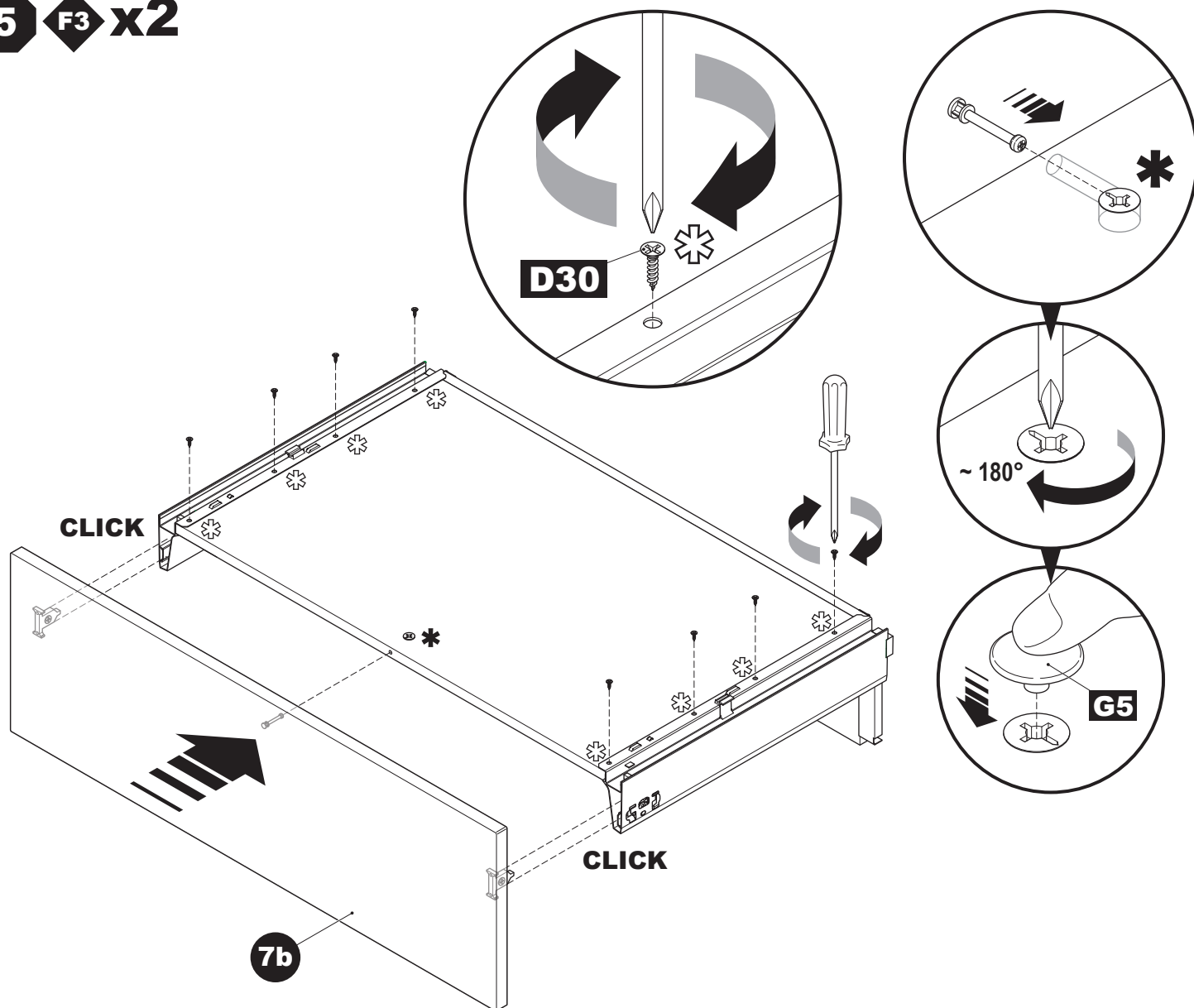


4 **F3** **x2**

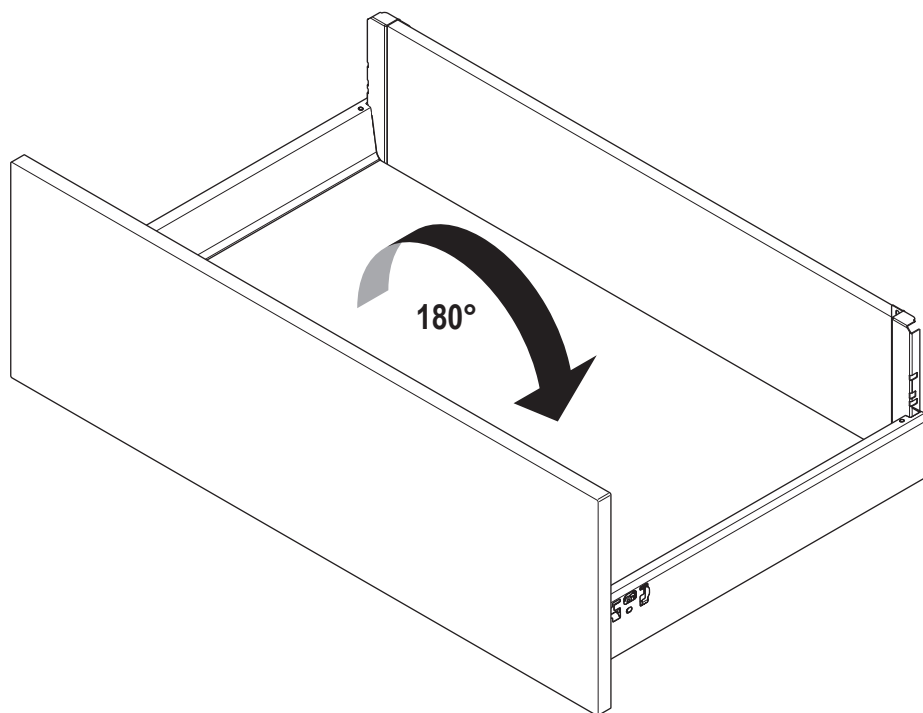




5 **F3** **x2**

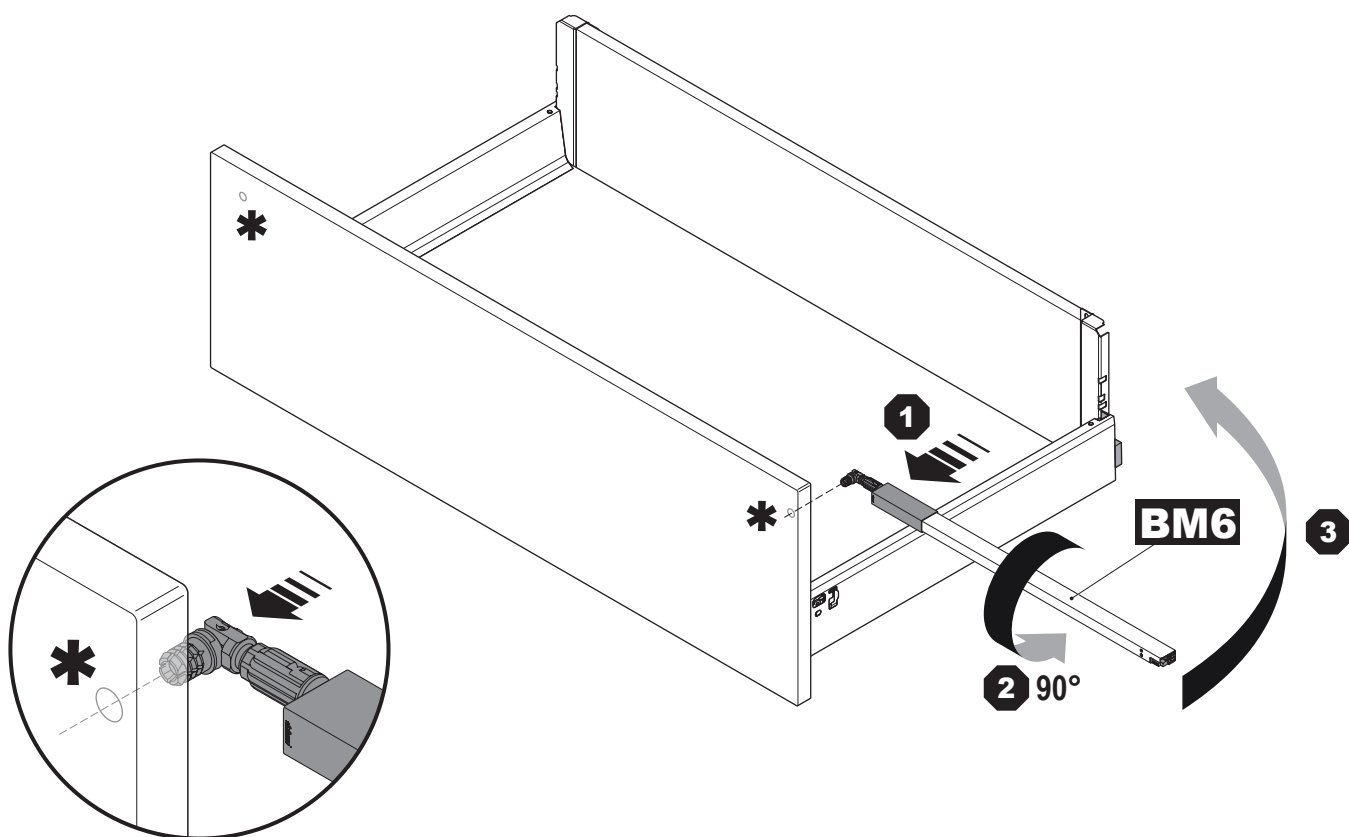


6 **F3** **x2**

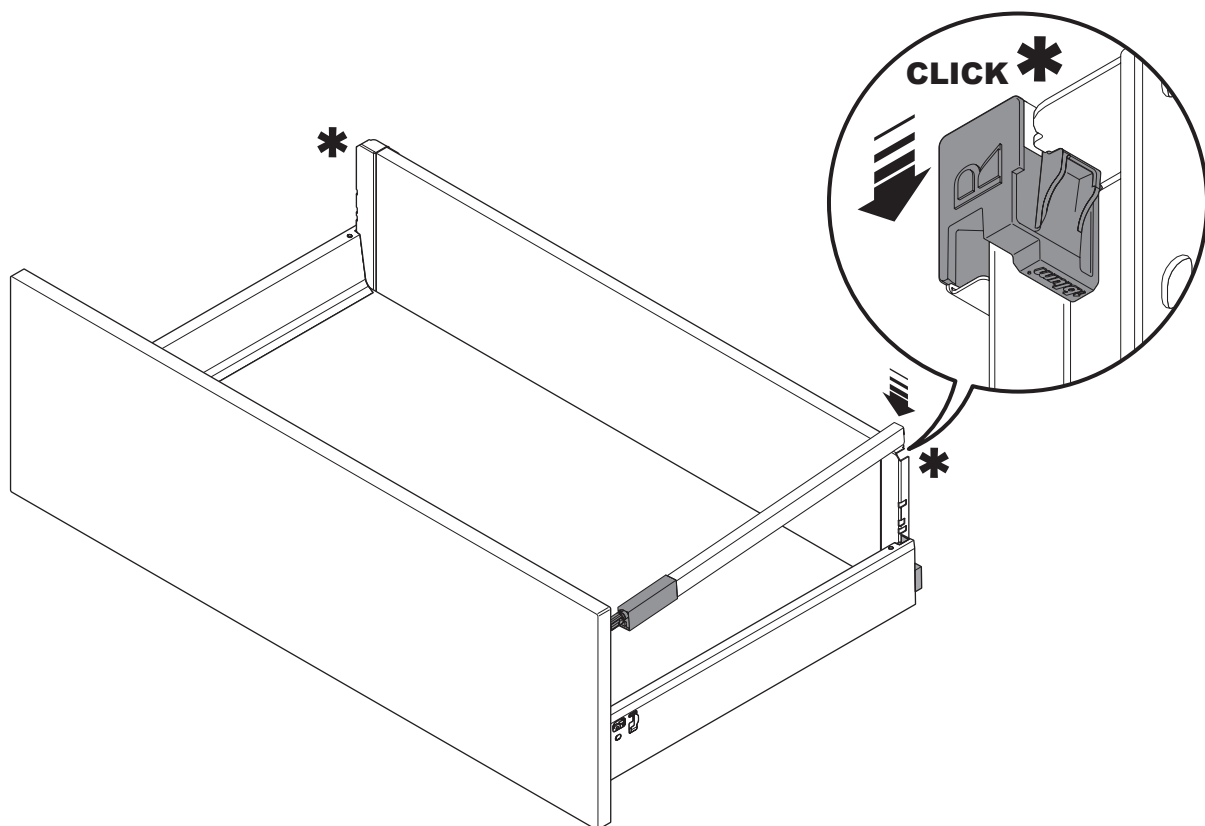




7 **F3** **x2**

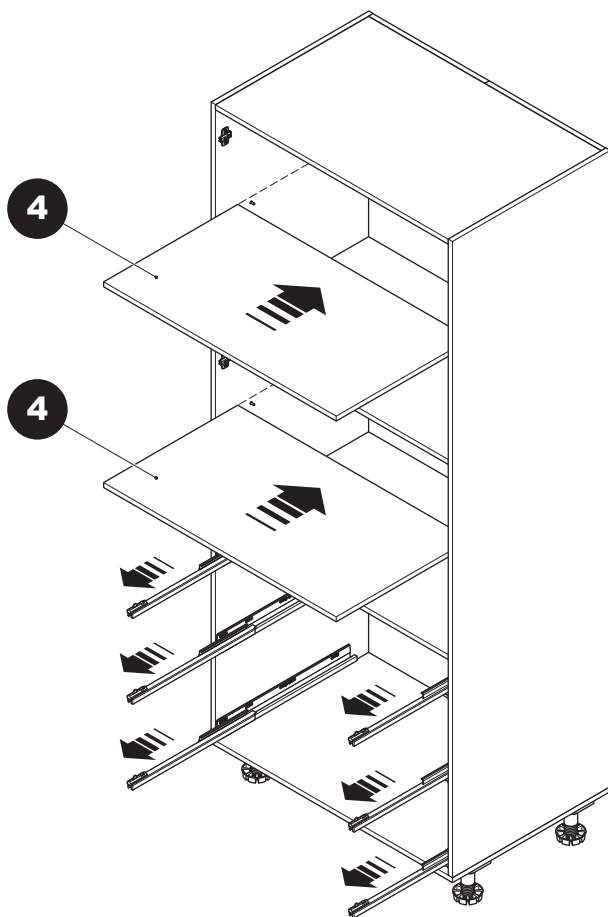


8 **F3** **x2**

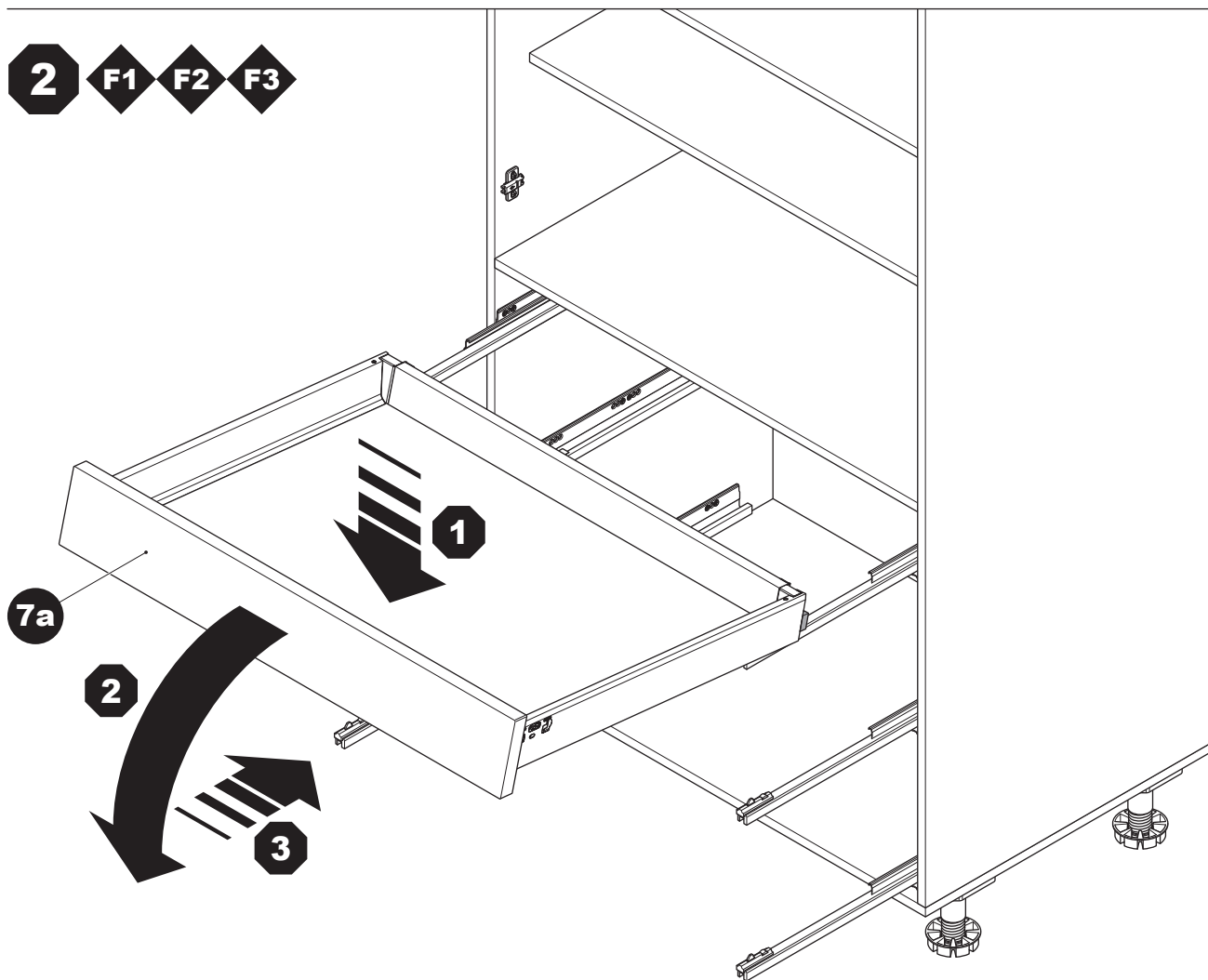




1 **F1** **F2** **F3**

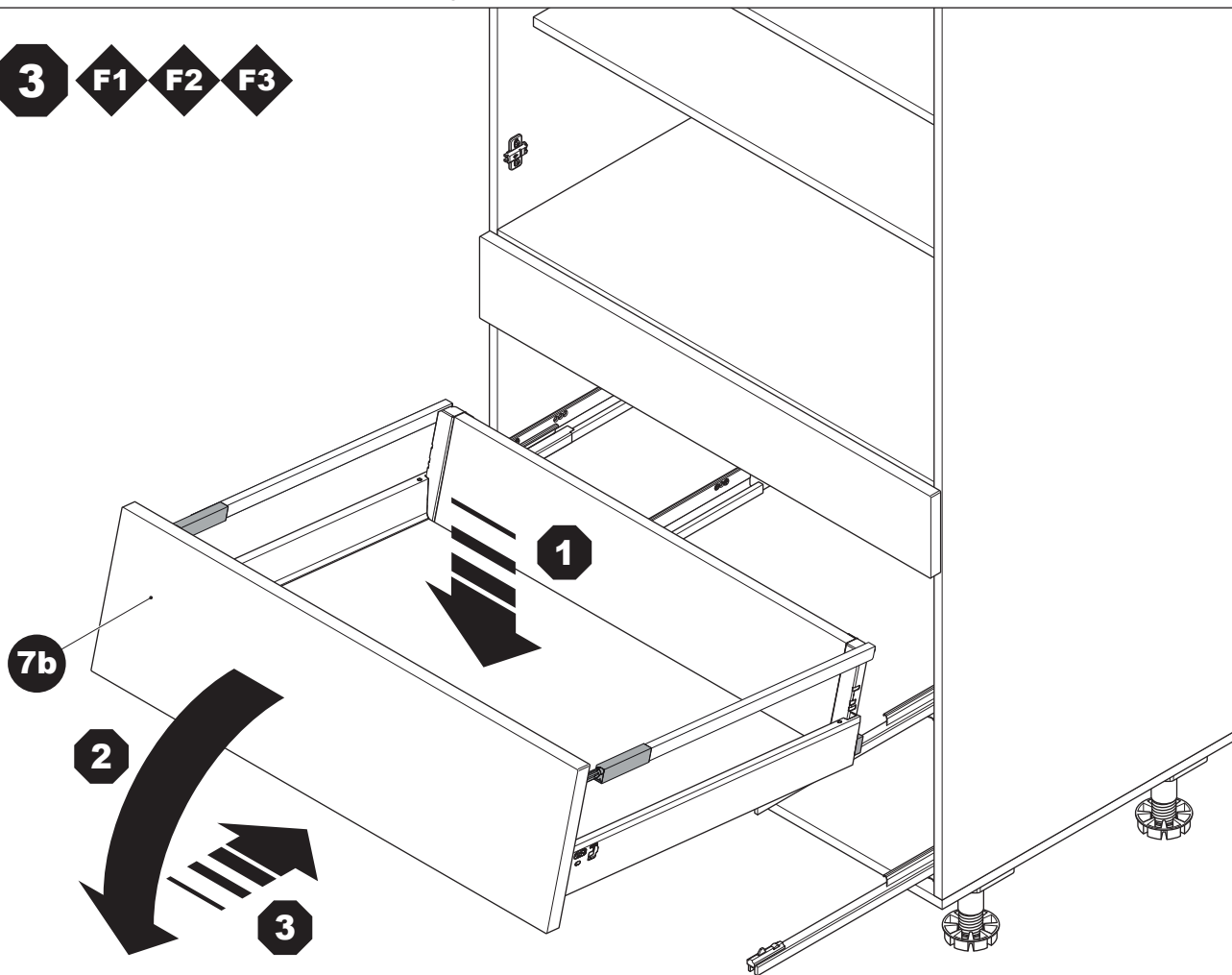


2 **F1** **F2** **F3**

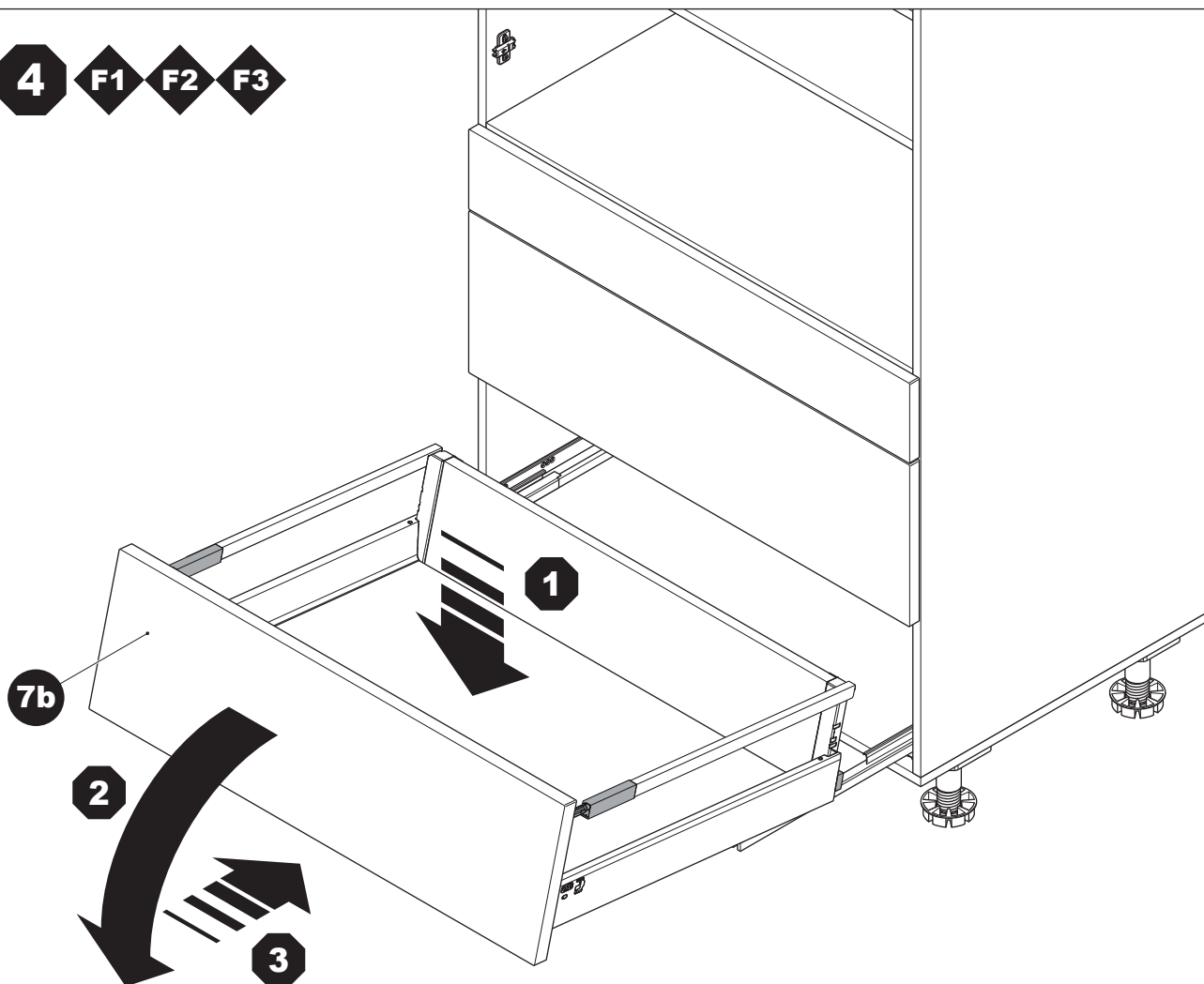




3 **F1** **F2** **F3**



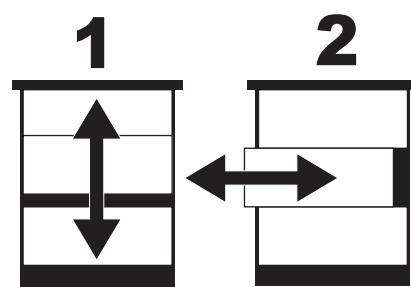
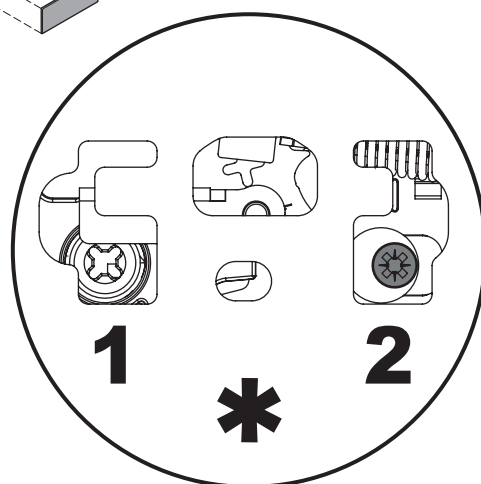
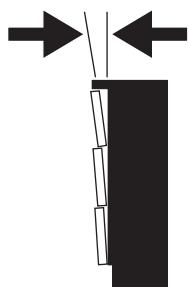
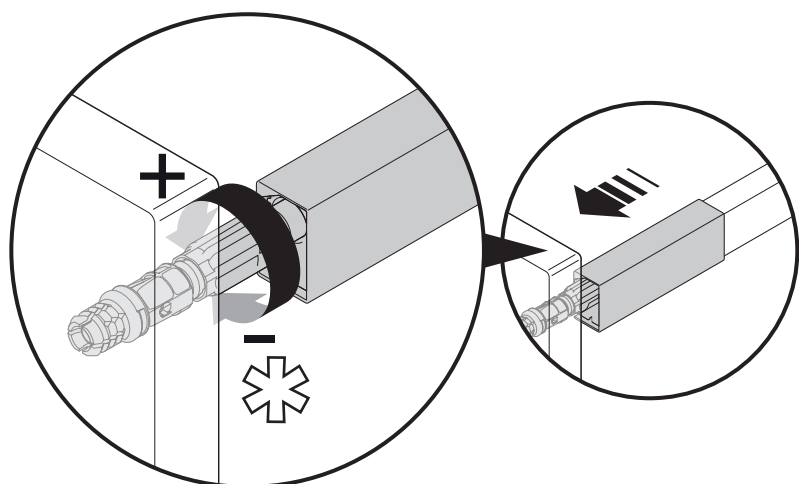
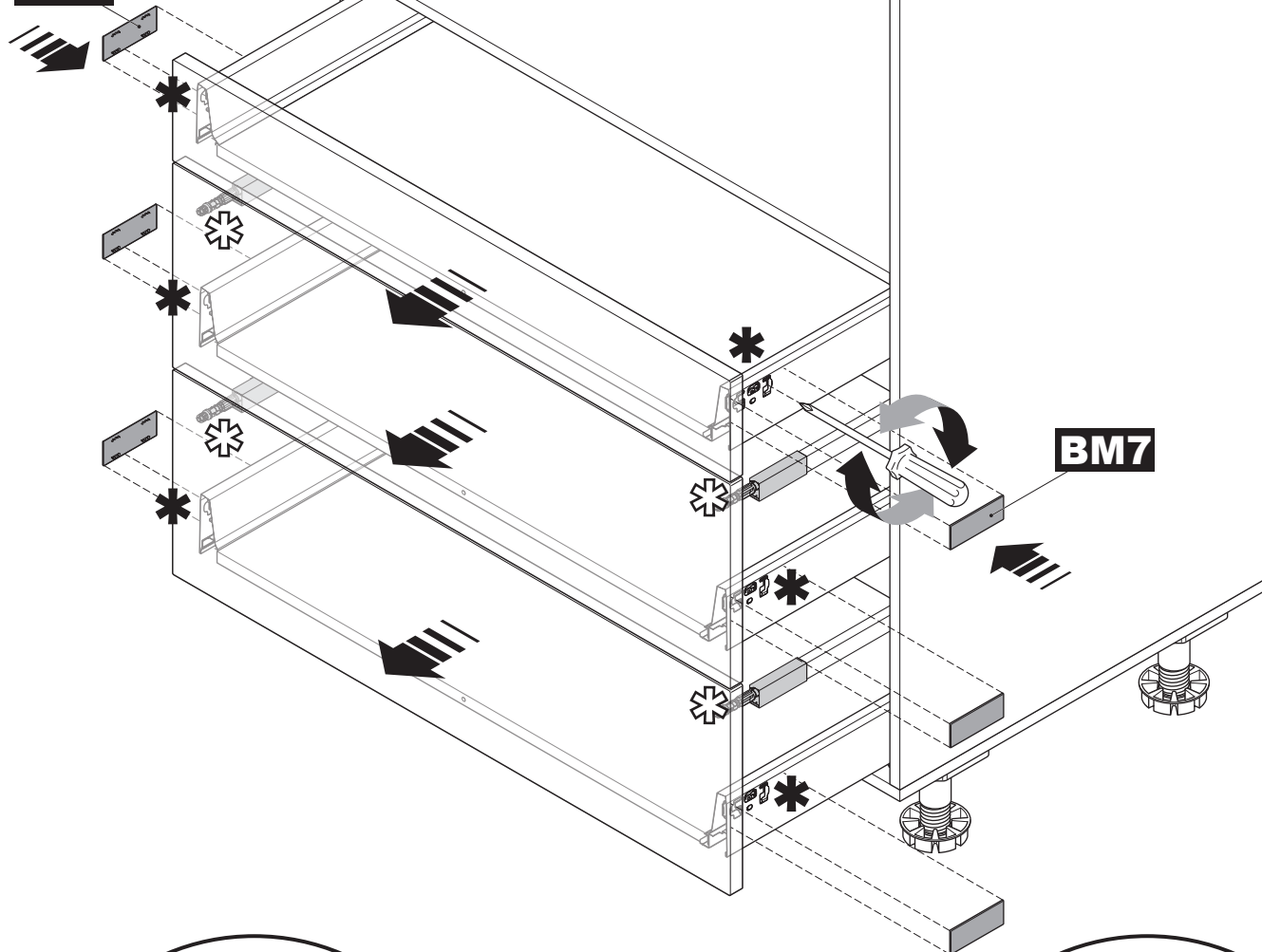
4 **F1** **F2** **F3**





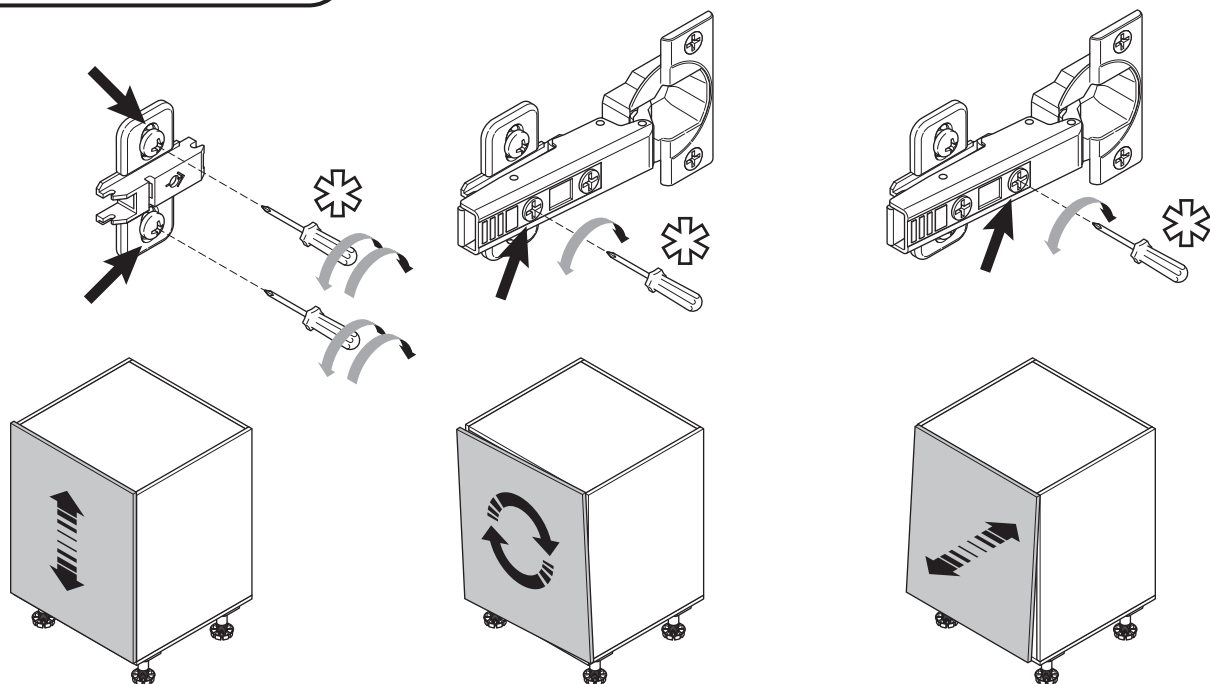
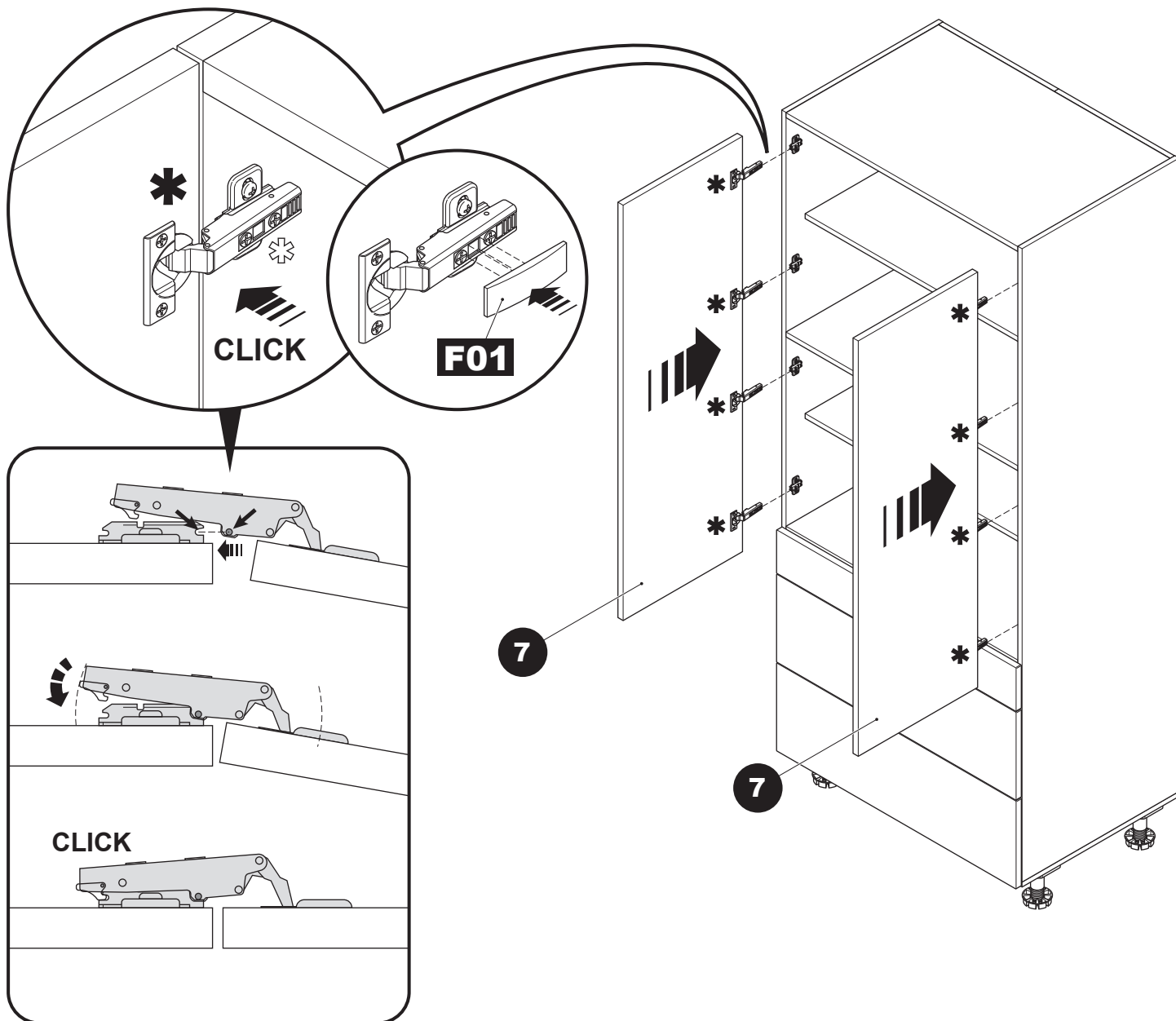
5 **F1** **F2** **F3**

BM7



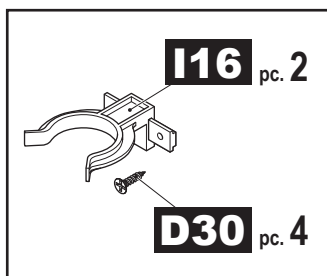
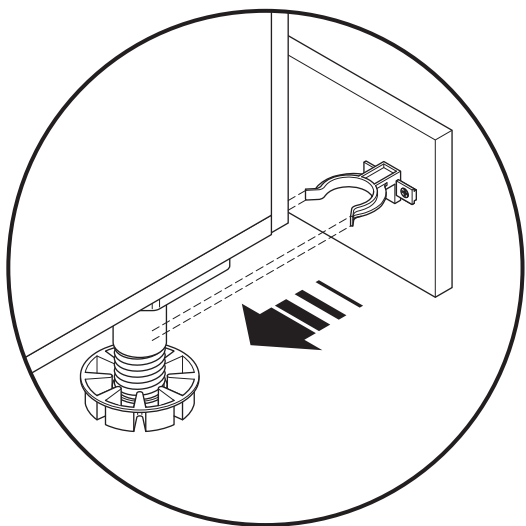
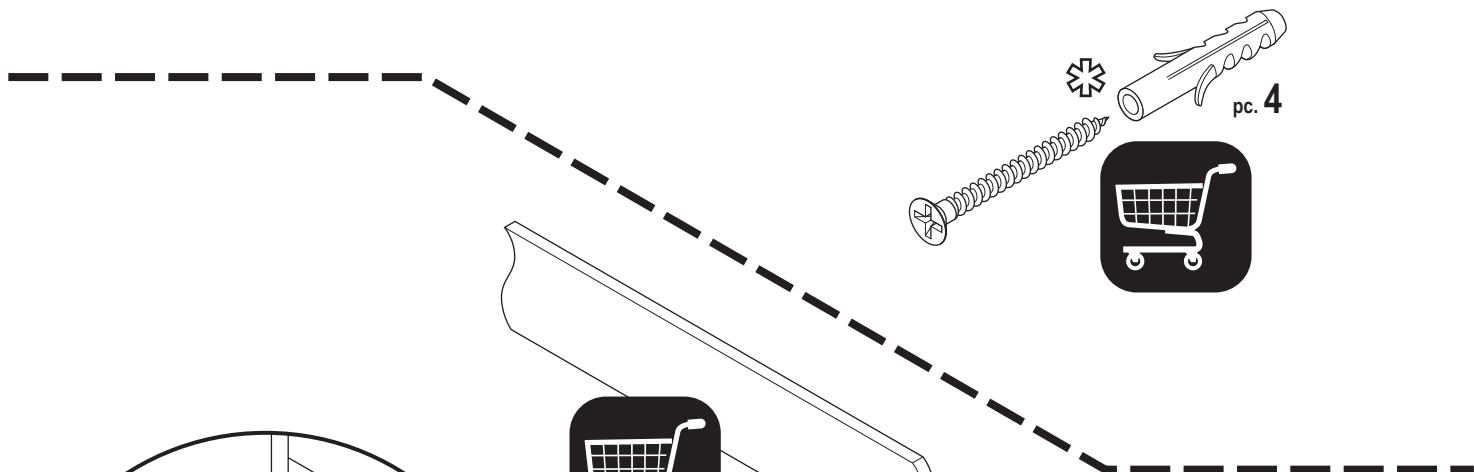
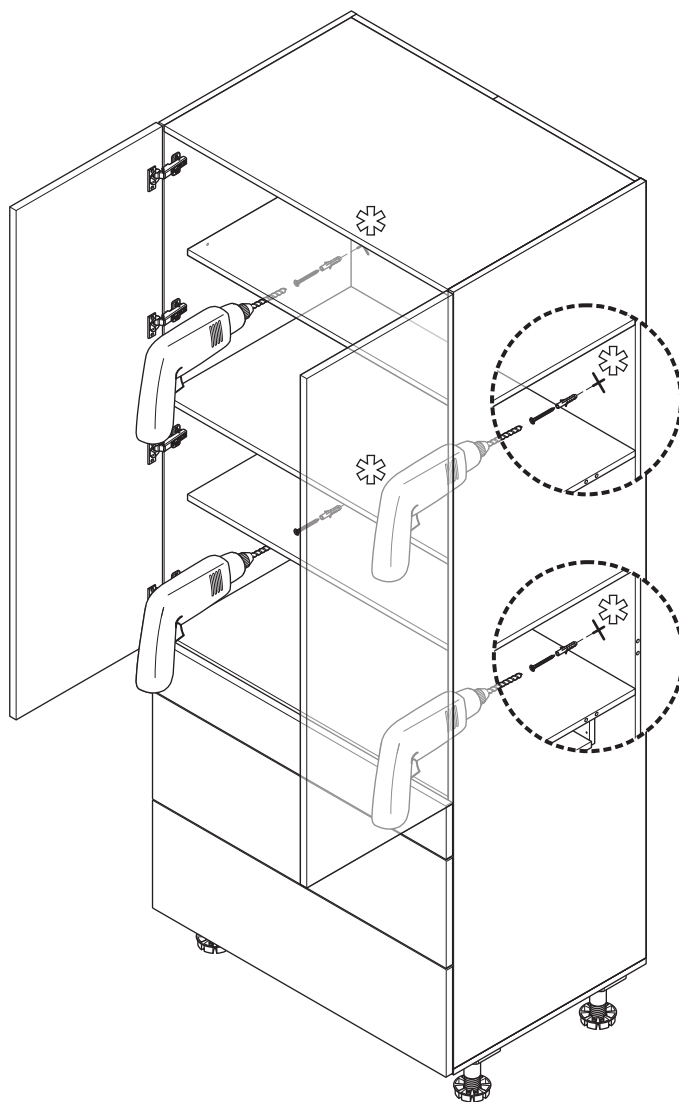


6 **F1** **F2** **F3**





7 **F1** **F2** **F3**





Kitchen Cabinets and Stones Limited