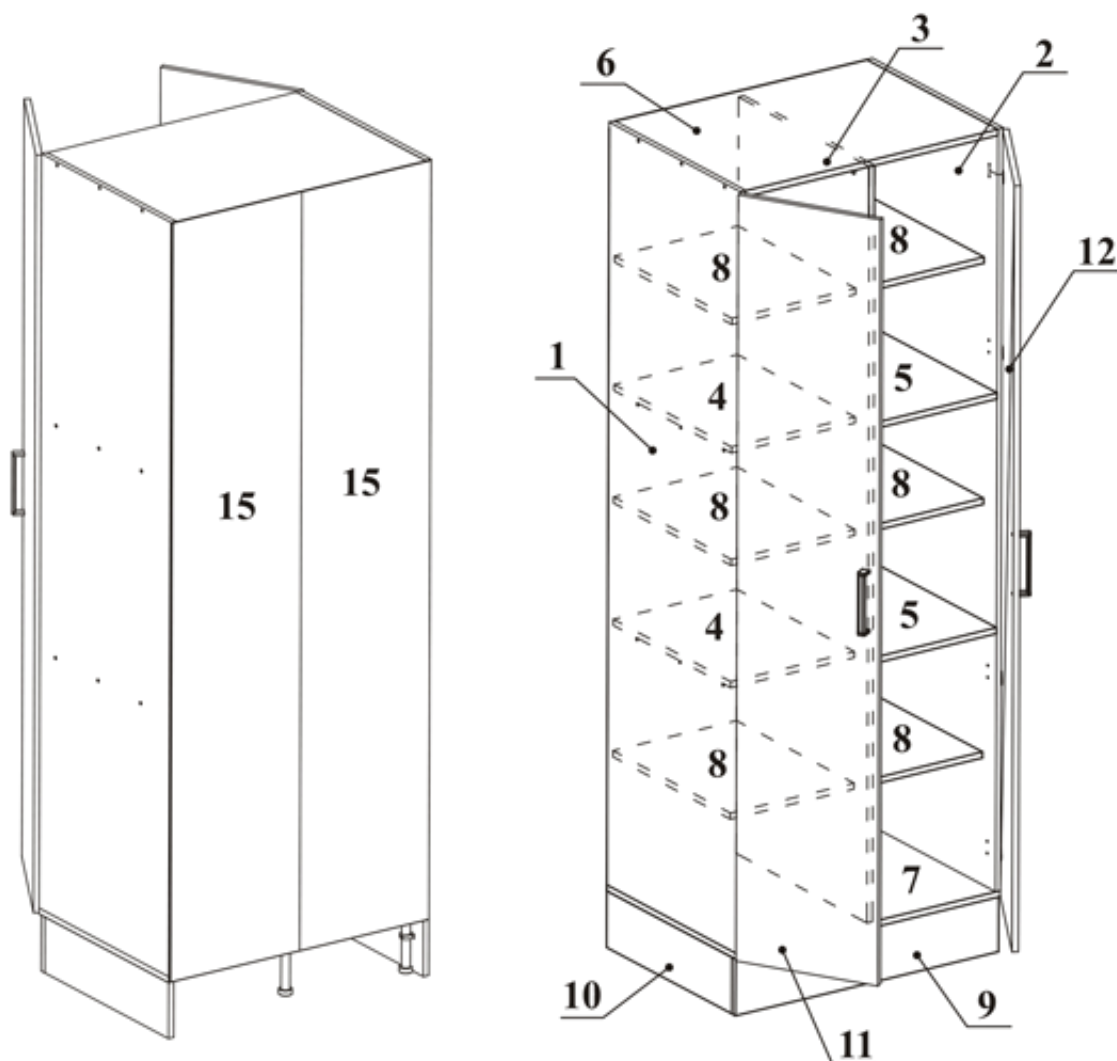
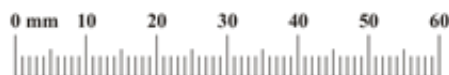


Assembly Instructions for cabinets: S80/222/60/2D

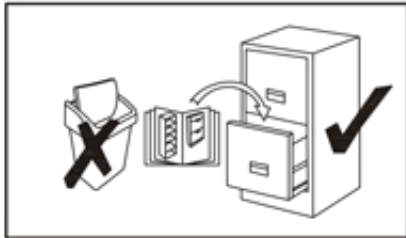
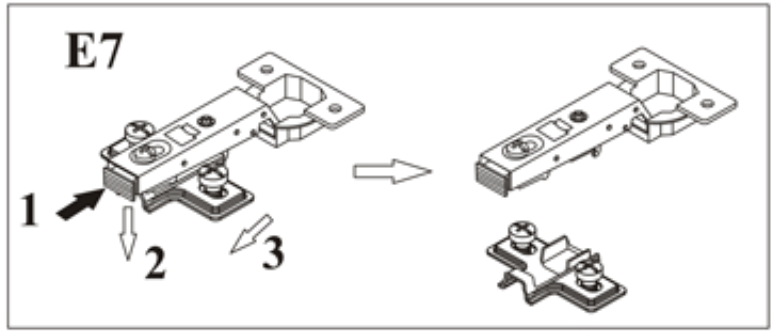
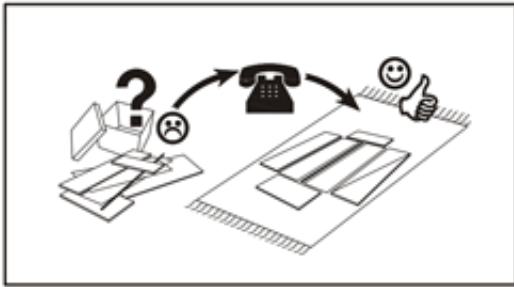


B6 X6 Ø7x78	G16 X12	D9 X12 USØ3x20	 120 min			
A1 X36 Ø8x36	ZN X2	D26 X4 M4x22	G7 X24	L1 X1	Z2 X10 Ø5	
E7 X8	E8 X8	B11 X24 Ø7x50	G4 X24	D10 X52 USØ3,5x13	G2 X1	
B3 X60 Ø1,4x25	I13 X6 L-150 mm.	I14 X6	B5 X18 Ø15x12	B4 X6	G5 X18	

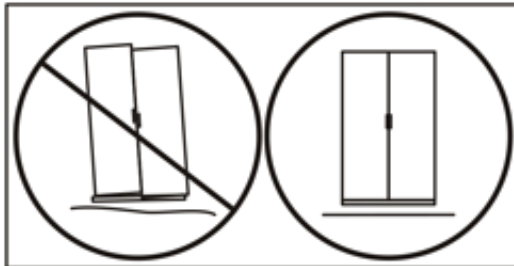
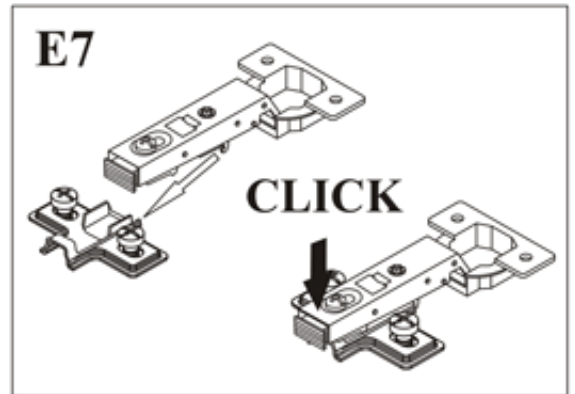
Check all the items are in your box according to the list on this manual. If you are missing anything, please check all other boxes first and then send us an email with a list of the parts you need.



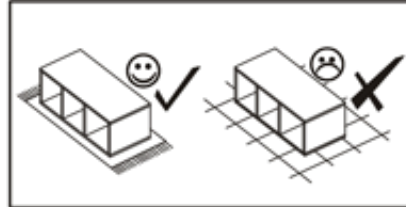
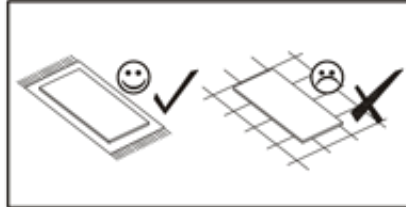
S80/222/60/2D



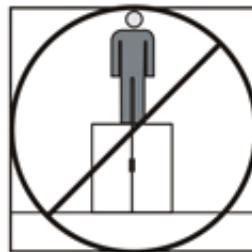
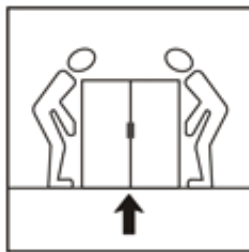
Keep your product assembly manual in a safe place until your kitchen is finished.



Be sure to assemble your cabinets on a flat surface and keep them straight and square.



Assemble your cabinets on a rug or a surface that will not scratch or damage them.



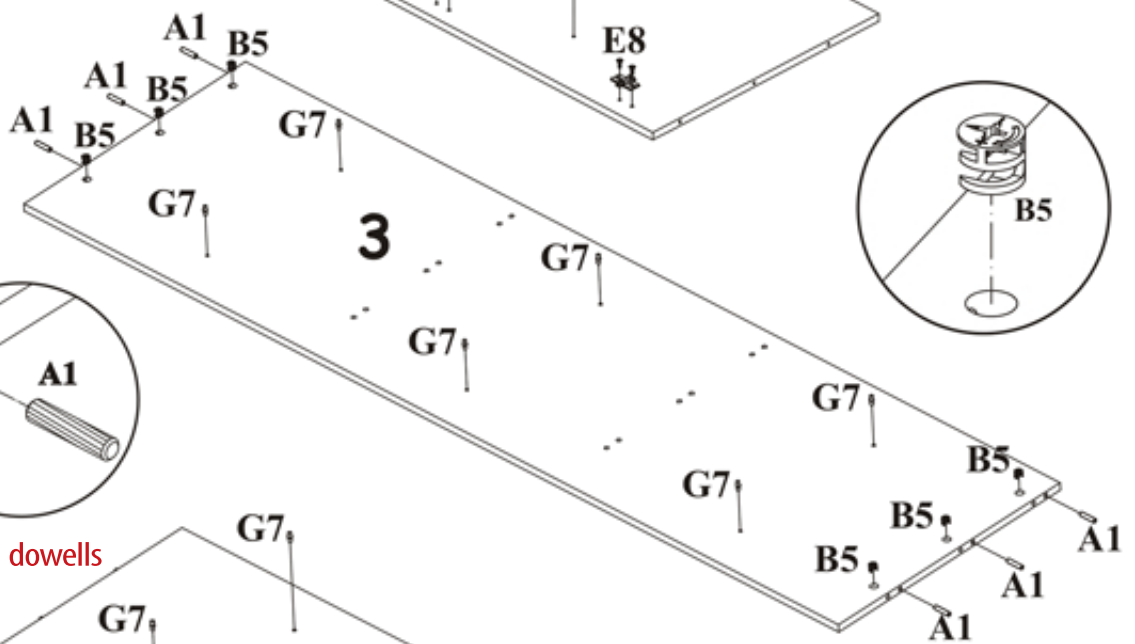
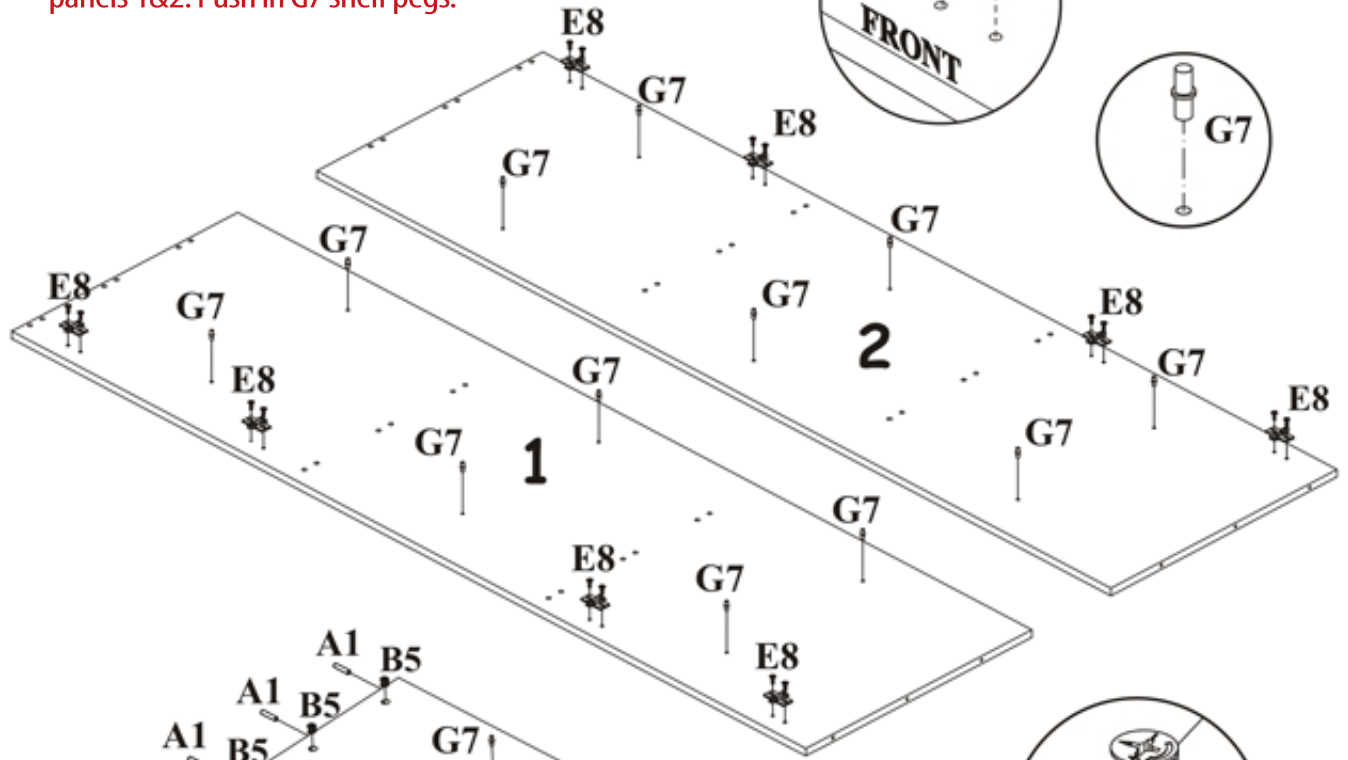
Do not push cabinets into place. Get someone to help you lift the cabinets into place, or you could risk damaging the feet. Do not stand on the cabinets.



Once protective film on thermal wrap doors is removed, do not clean for 7 days. This allows the surface to harden. Only clean the cabinets with a small amount of warm water or non harsh chemicals.

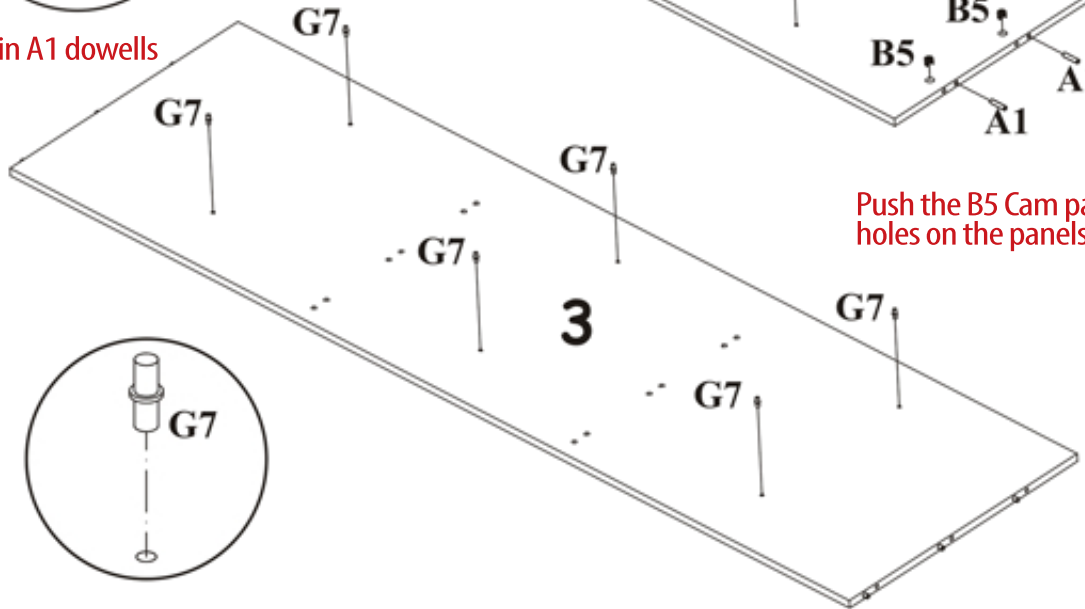
S80/222/60/2D

1 Screw on E8 hinge clips to pantry side panels 1&2. Push in G7 shelf pegs.



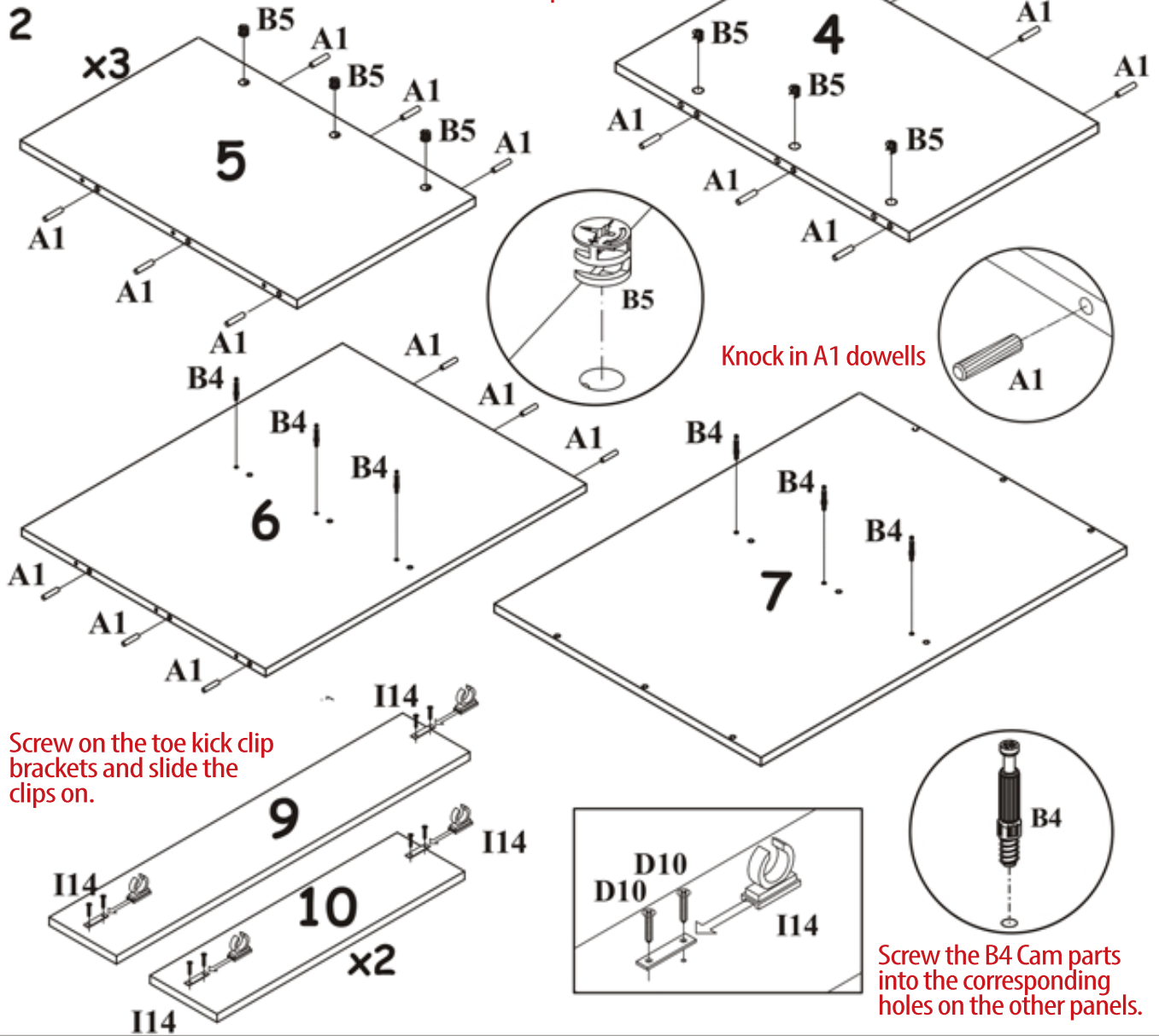
Knock in A1 dowells

Push the B5 Cam parts into the holes on the panels.



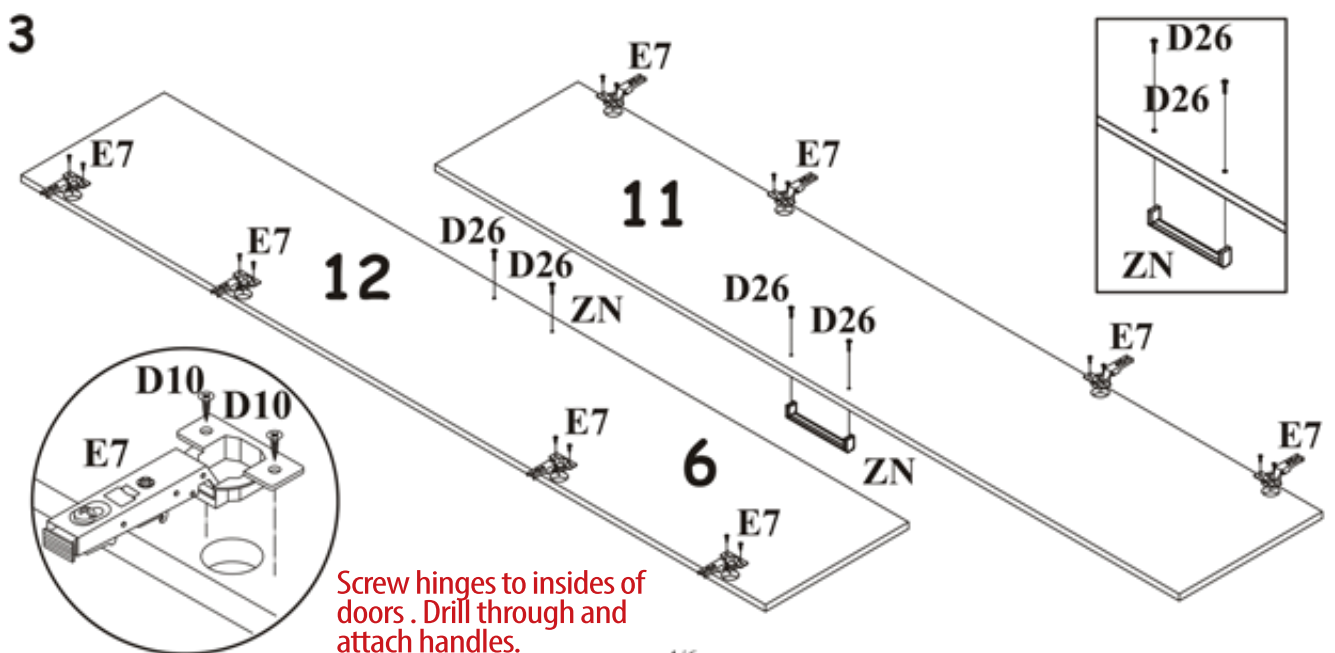
S80/222/60/2D

Push the B5 Cam parts into the holes on the panels.



Screw on the toe kick clip brackets and slide the clips on.

Screw the B4 Cam parts into the corresponding holes on the other panels.



Screw hinges to insides of doors. Drill through and attach handles.

S80/222/60/2D

4

Screw together cabinet frame with B11 screws and allen key tool. Use B6 cam screws for the shelves.

Start by fixing together a side panel and the middle panel with the 2 shelves between. Then attached the other 2 shelves and side panel. Now attach the top and bottom panels.

5

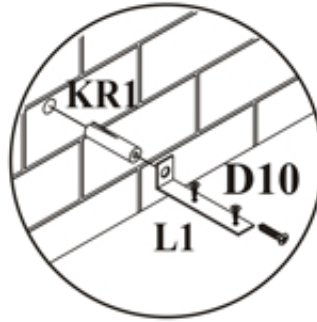
Nail on back panels and screw feet to base.

Screw G16 brackets to keep back panels straight.

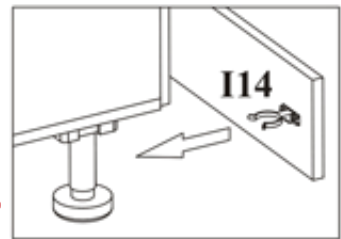
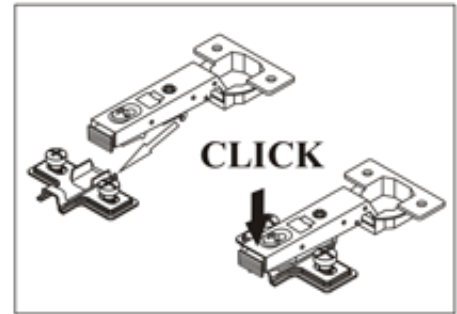
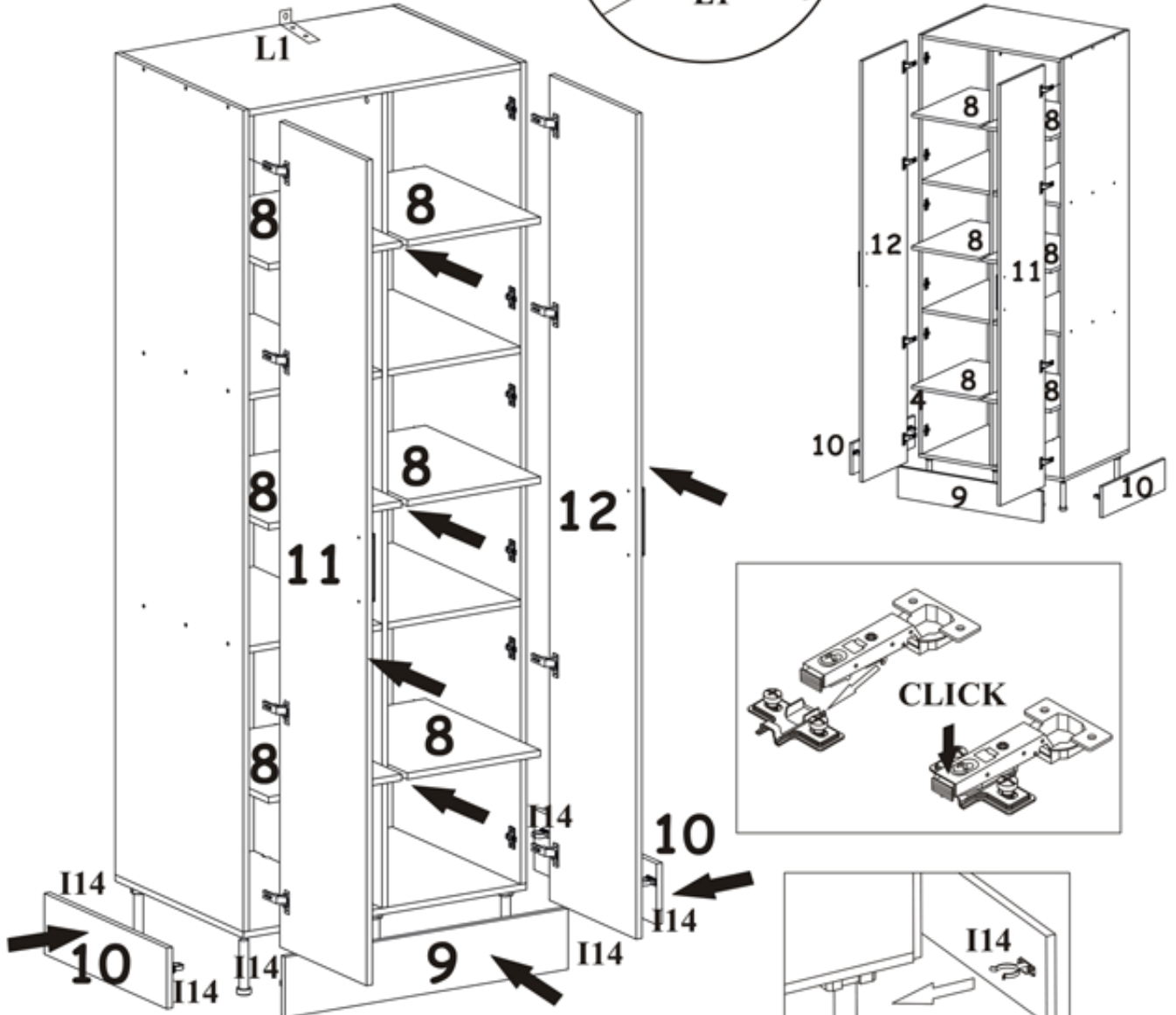
S80/222/60/2D

6

Attach the doors by clipping the hinges onto the hinge clips. Use a phillips head screwdriver to adjust the tilt and rotation of the doors to make them level.



If necessary, screw cabinet to wall with the L1 bracket.



Adjust the feet to make the cabinet top level, then clip the toe kick into place.

