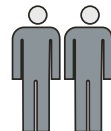
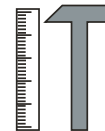
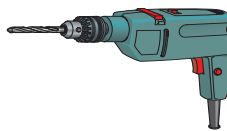
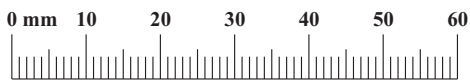
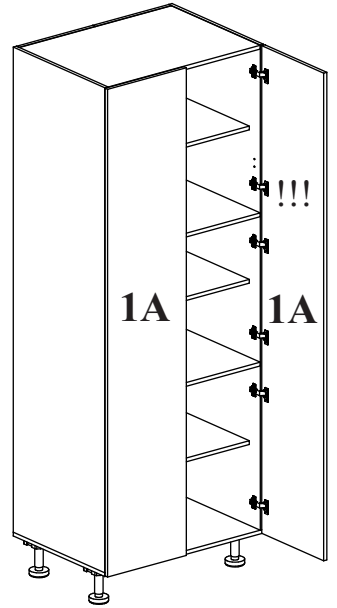
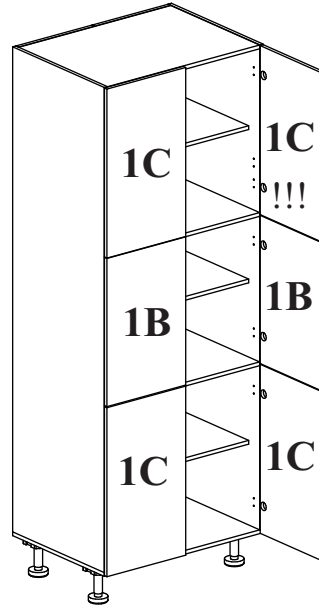
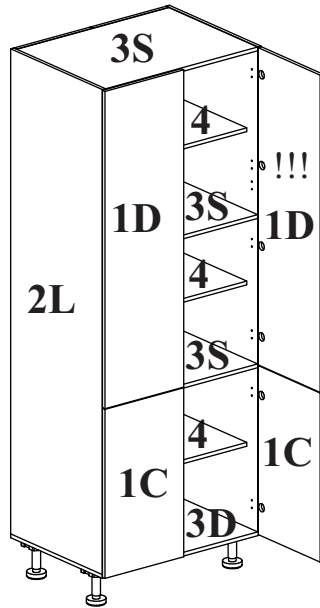
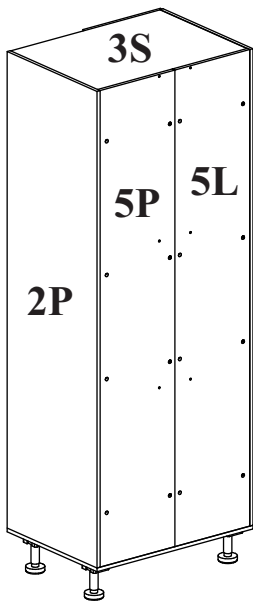


EURO S80/222/60/*D

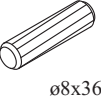
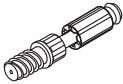



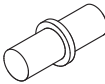
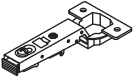
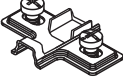





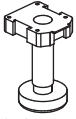



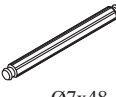
S80/222/60/4D

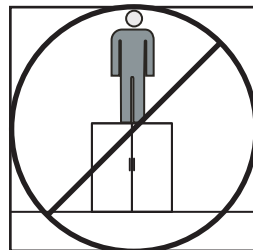
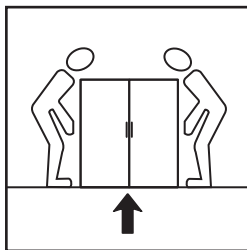
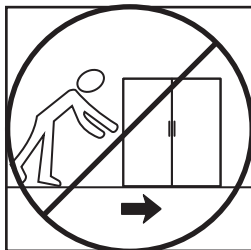
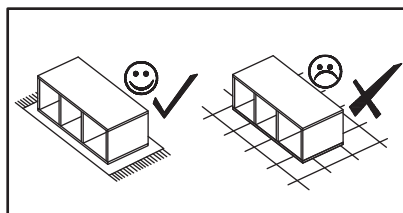
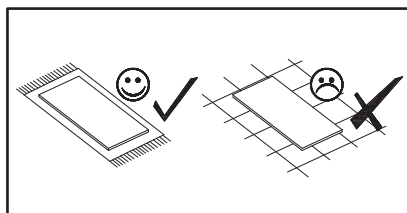
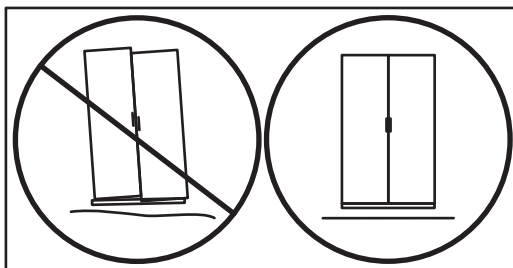
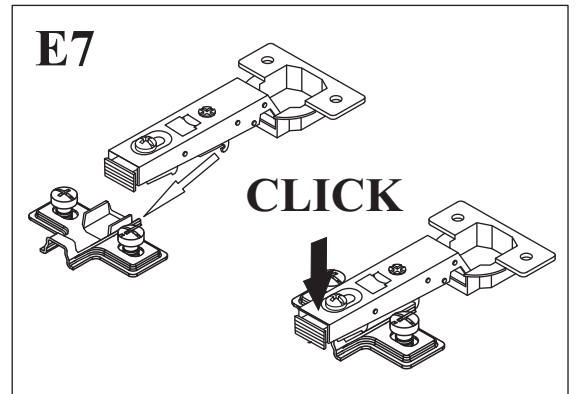
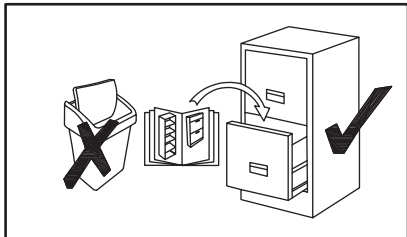
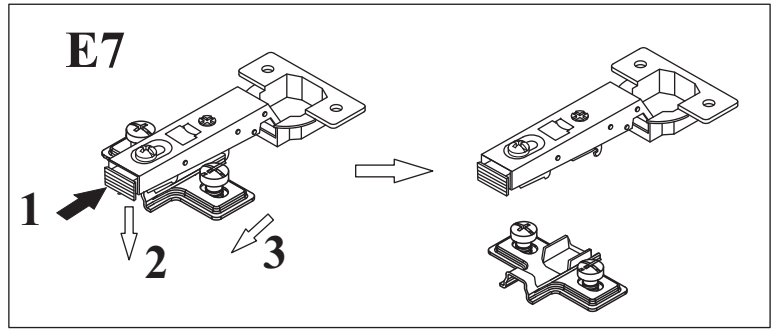
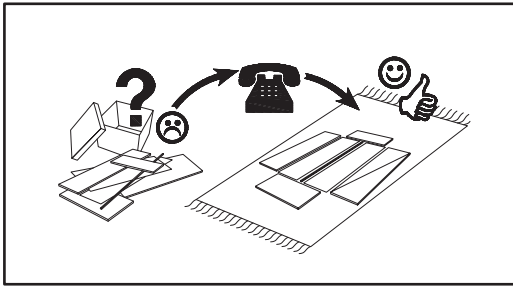
S80/222/60/6D

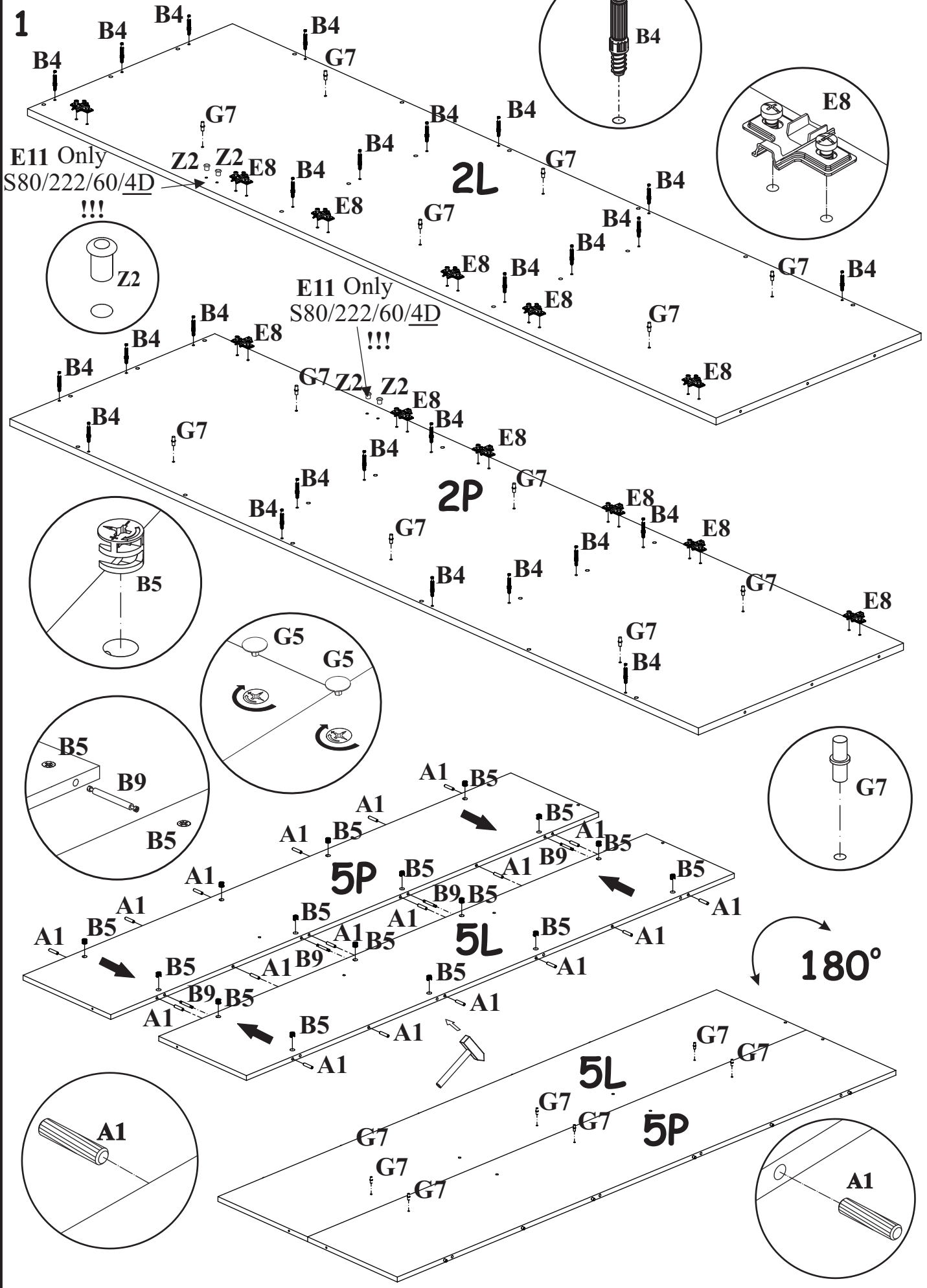
S80/222/60/2D



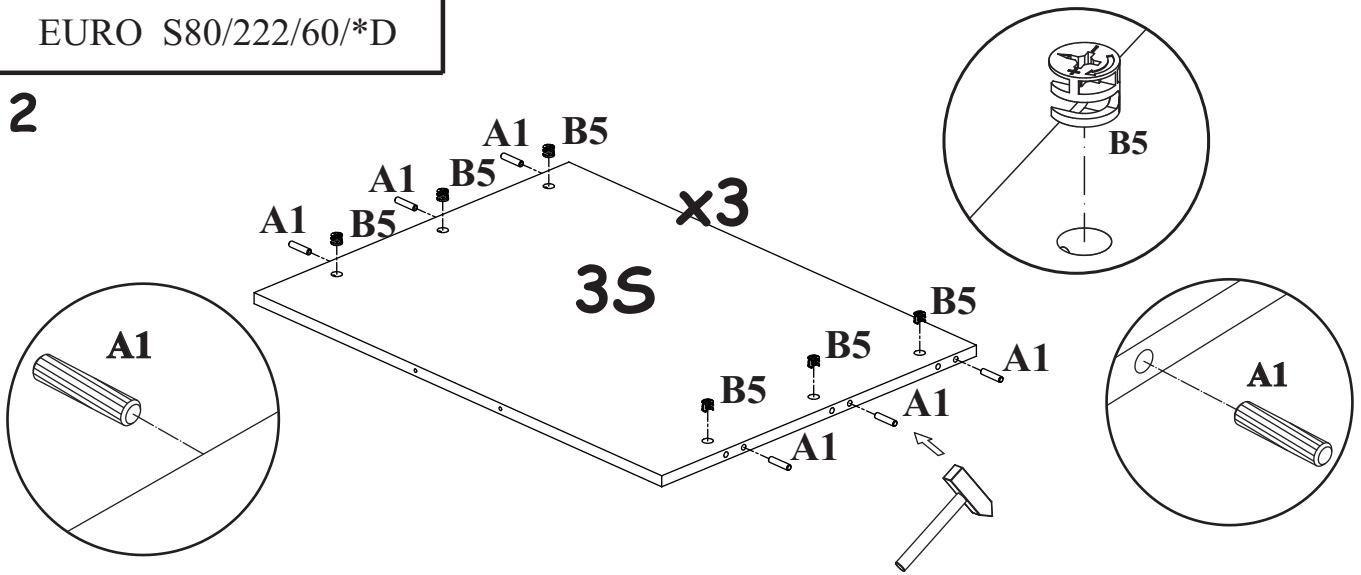
90 min

A1 X36 	B4 X22 	B5 X30 	G5 X30 	Z2 X28 	G7 X18 
E7 X12 	E8 X12 	B11 X14 	G4 X14 	D10 X24 	G2 X1 
D27 X16 	I15 X4 	I16 X6 	D30 X12 	G3 X12 	B9 X4 

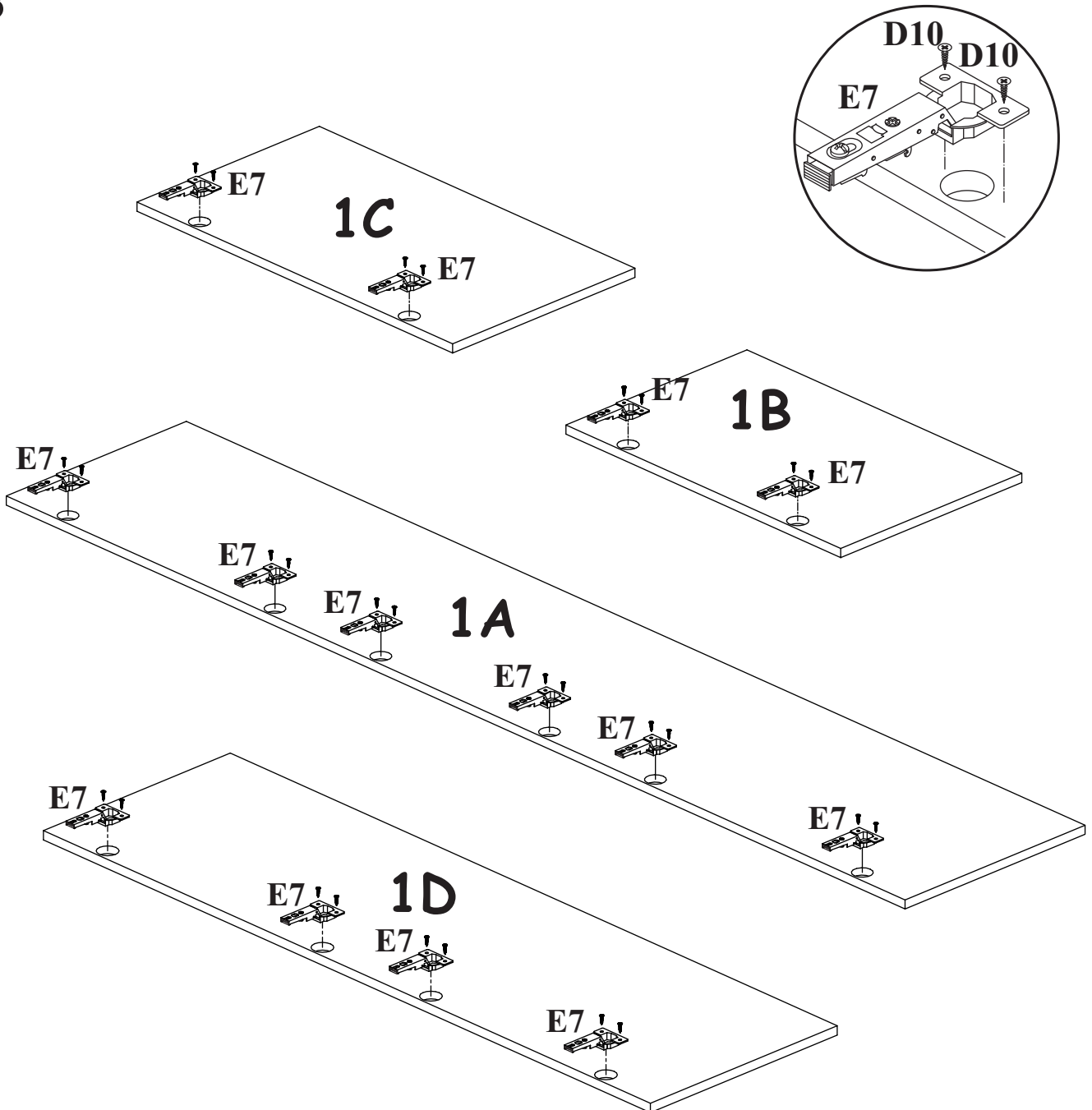




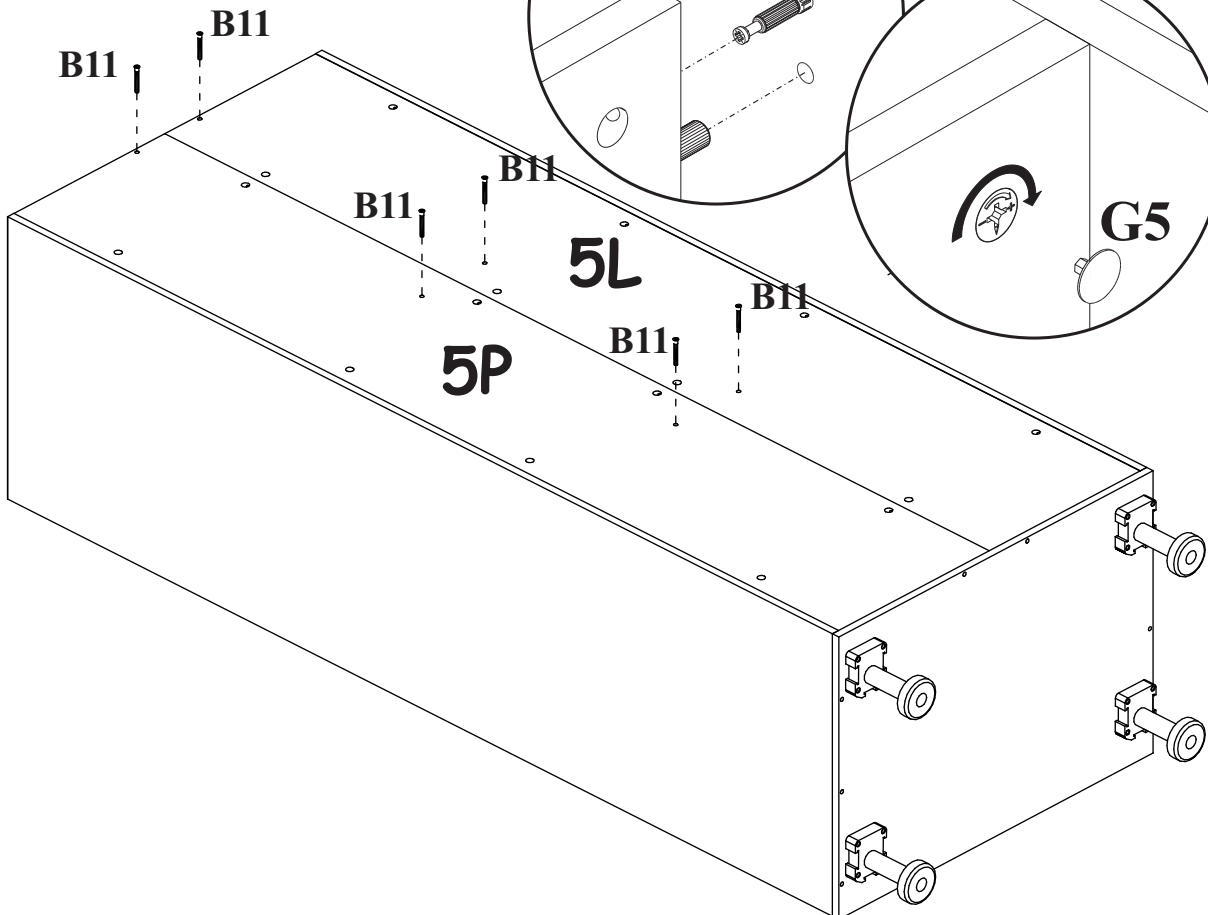
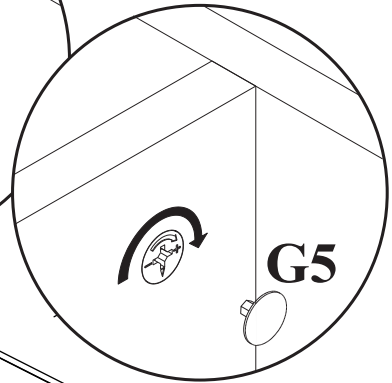
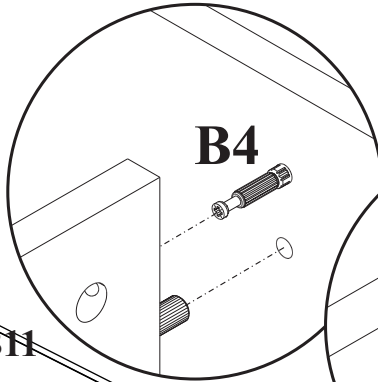
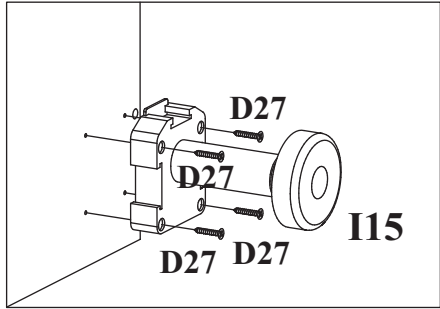
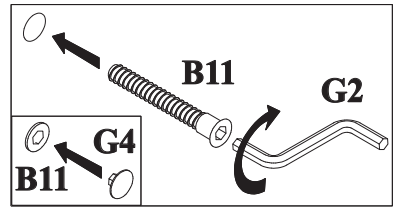
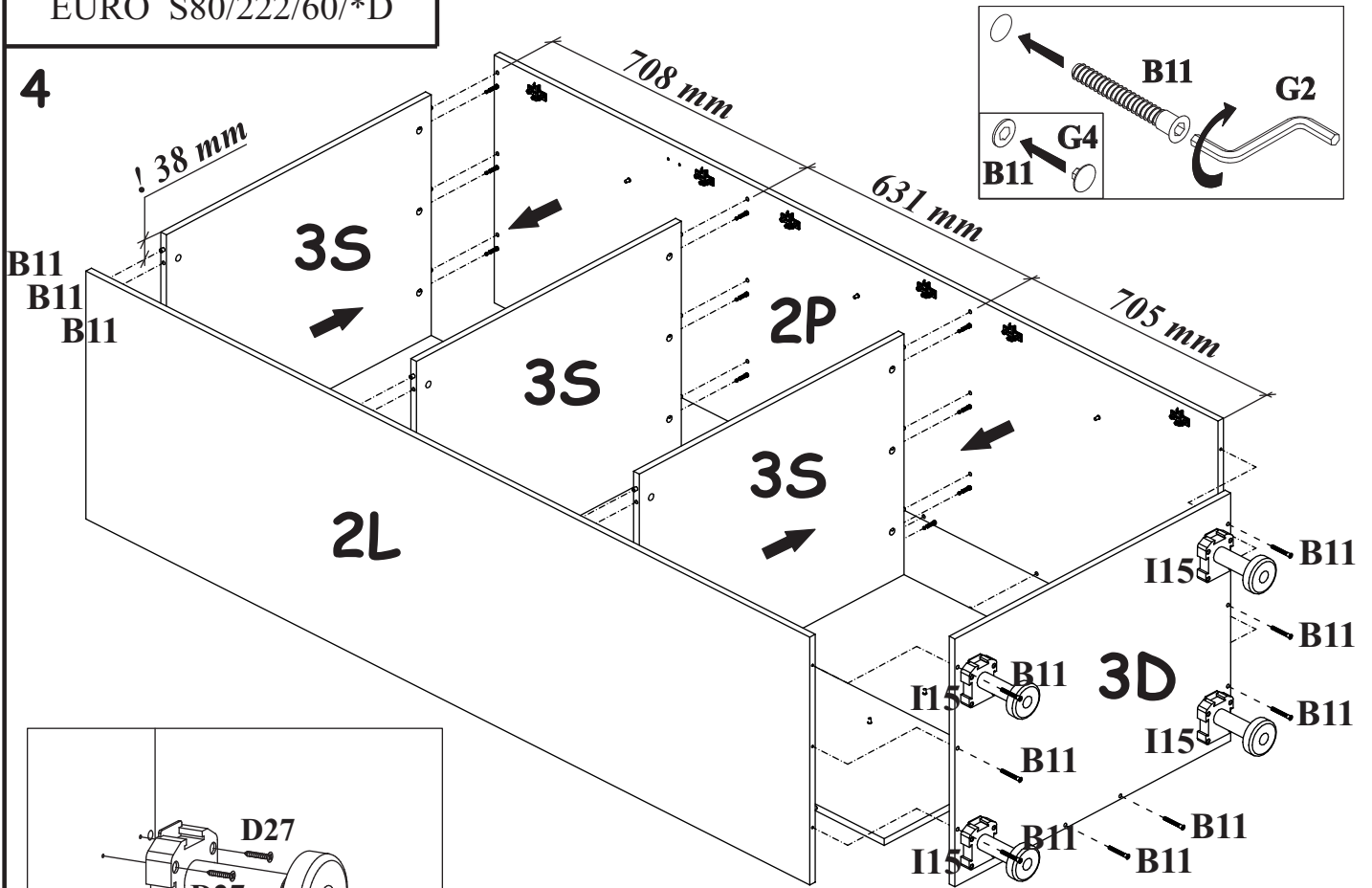
2



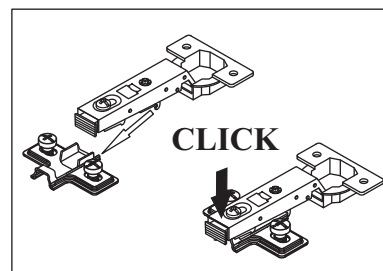
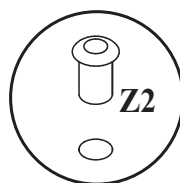
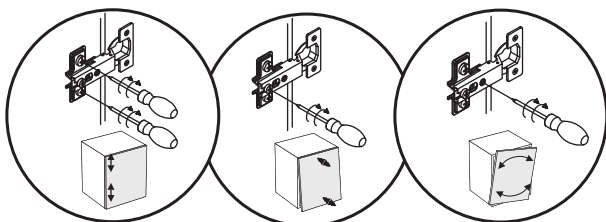
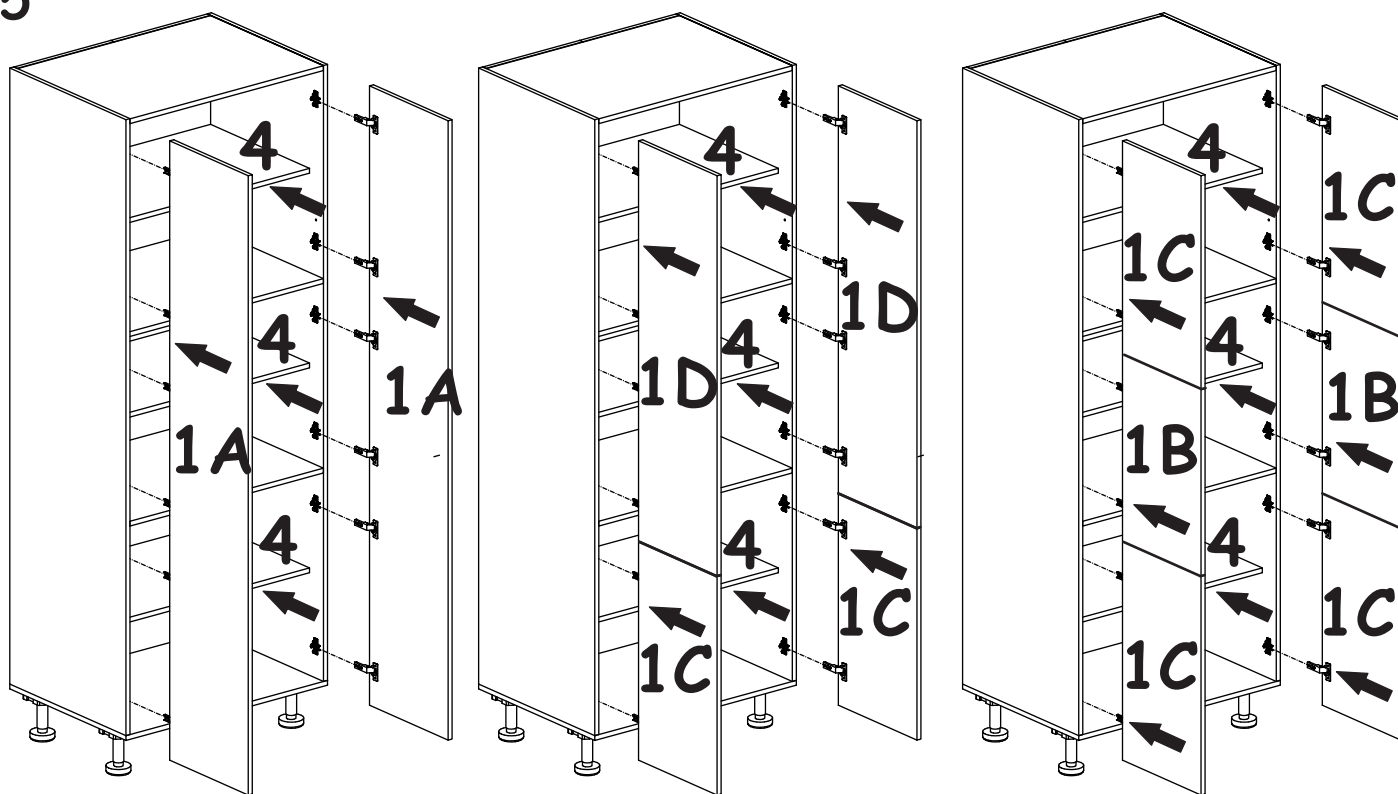
3



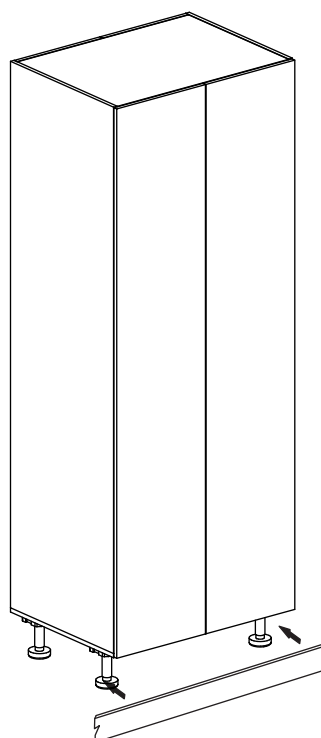
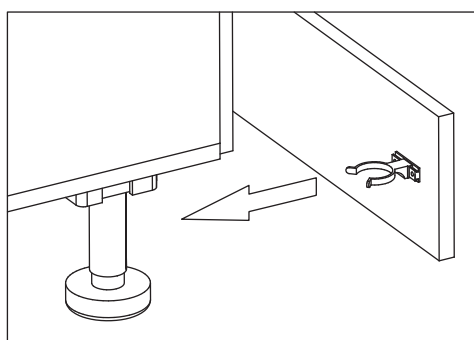
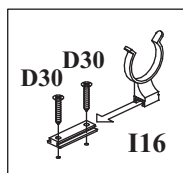
4



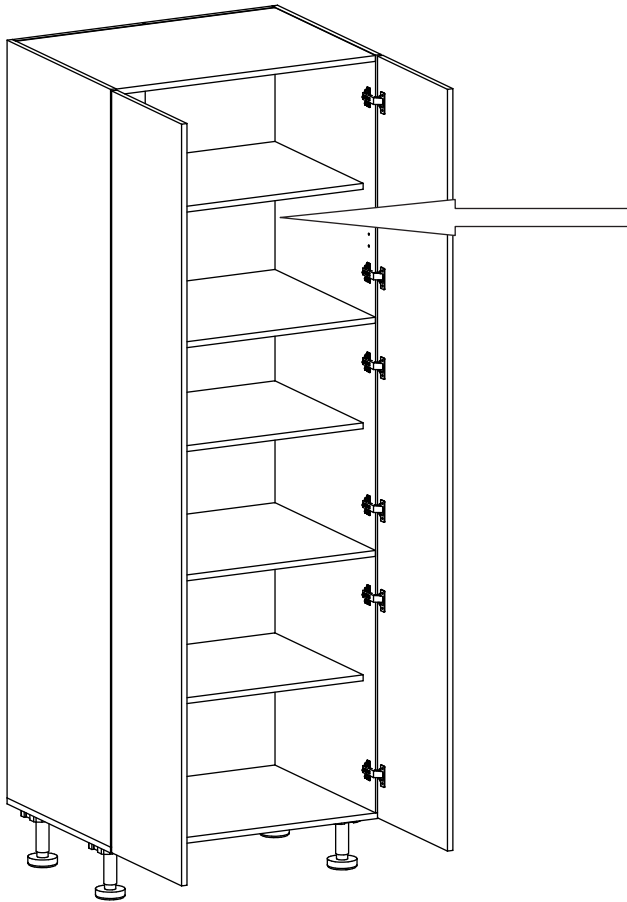
5



6



7



x2

