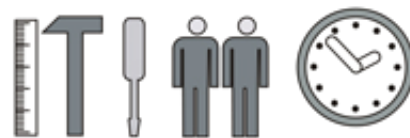
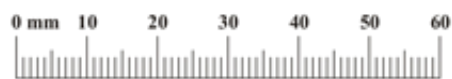
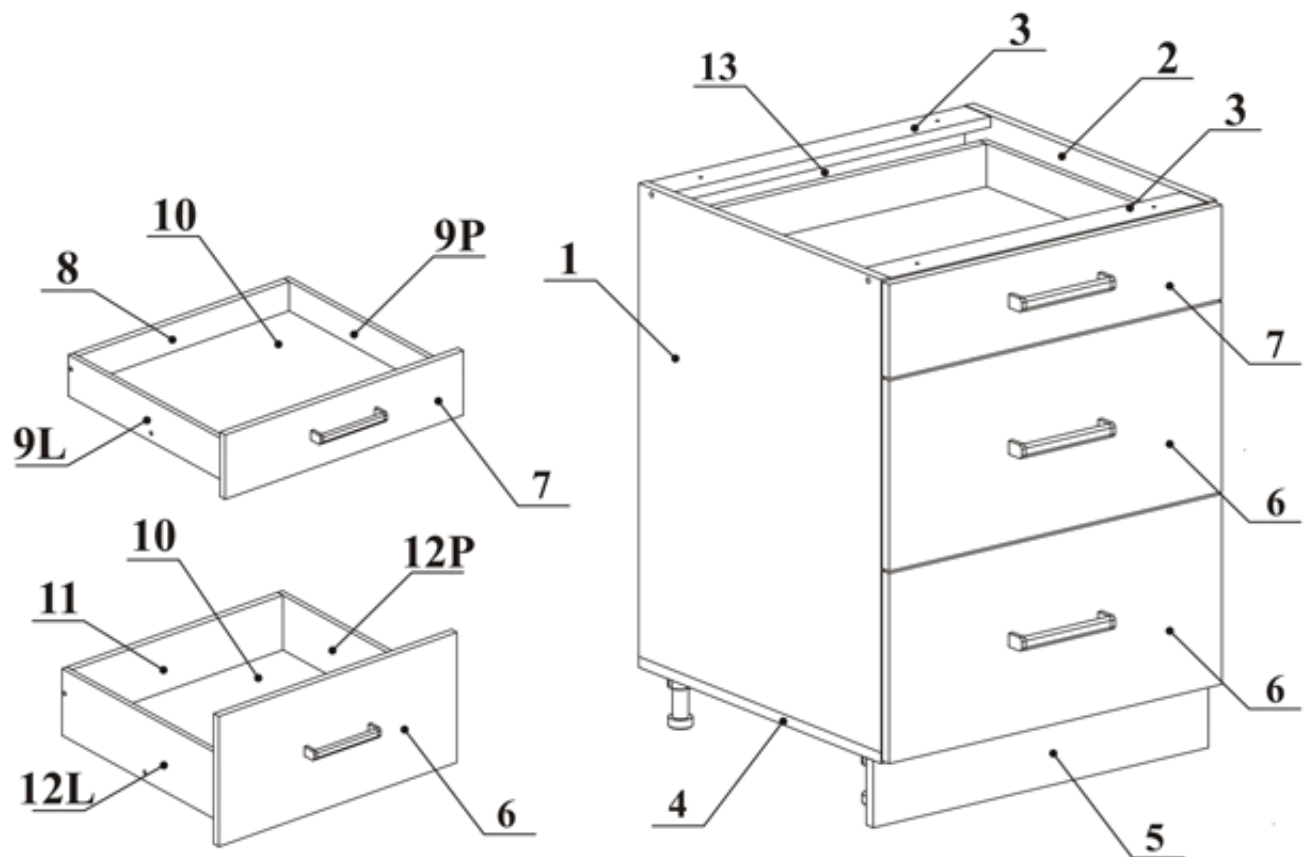


Assembly Instructions for cabinets: S60SZ3, S80SZ3 EXEL



90 min

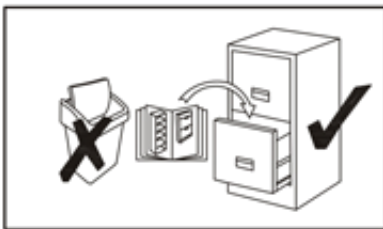
Check all the items are in your box according to the list on this manual. If you are missing anything, please check all other boxes first and then send us an email with a list of the parts you need.

A1 X32 	B7 X6 	B4 X6 	G5 X6 	I13 X4 	I14 X2 
B11 X22 	G4 X22 	D10 X32 	D14 X12 	B3 	ZN X3 
D26 X6 	G2 X1 	UP6 X4 	H7 X3 	G8 X1 	

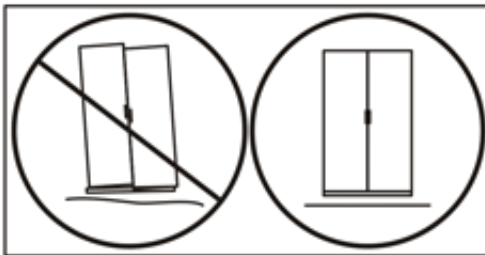
S60SZ3,S80SZ3 EXEL



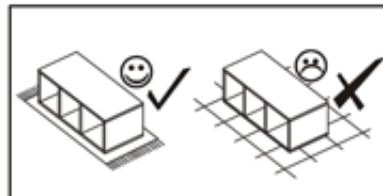
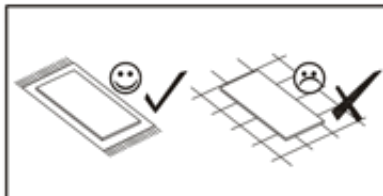
Check all the items are in your box according to the list on this manual. If you are missing anything, please check all other boxes first and then send us an email with a list of the parts you need.



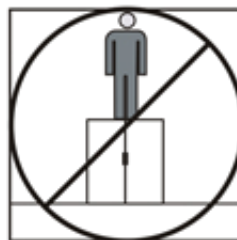
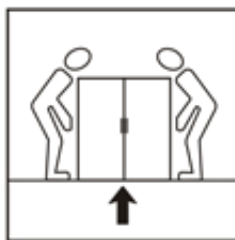
Keep your product assembly manual in a safe place until your kitchen is finished.



Be sure to assemble your cabinets on a flat surface and keep them straight and square.



Assemble your cabinets on a rug or a surface that will not scratch or damage them.



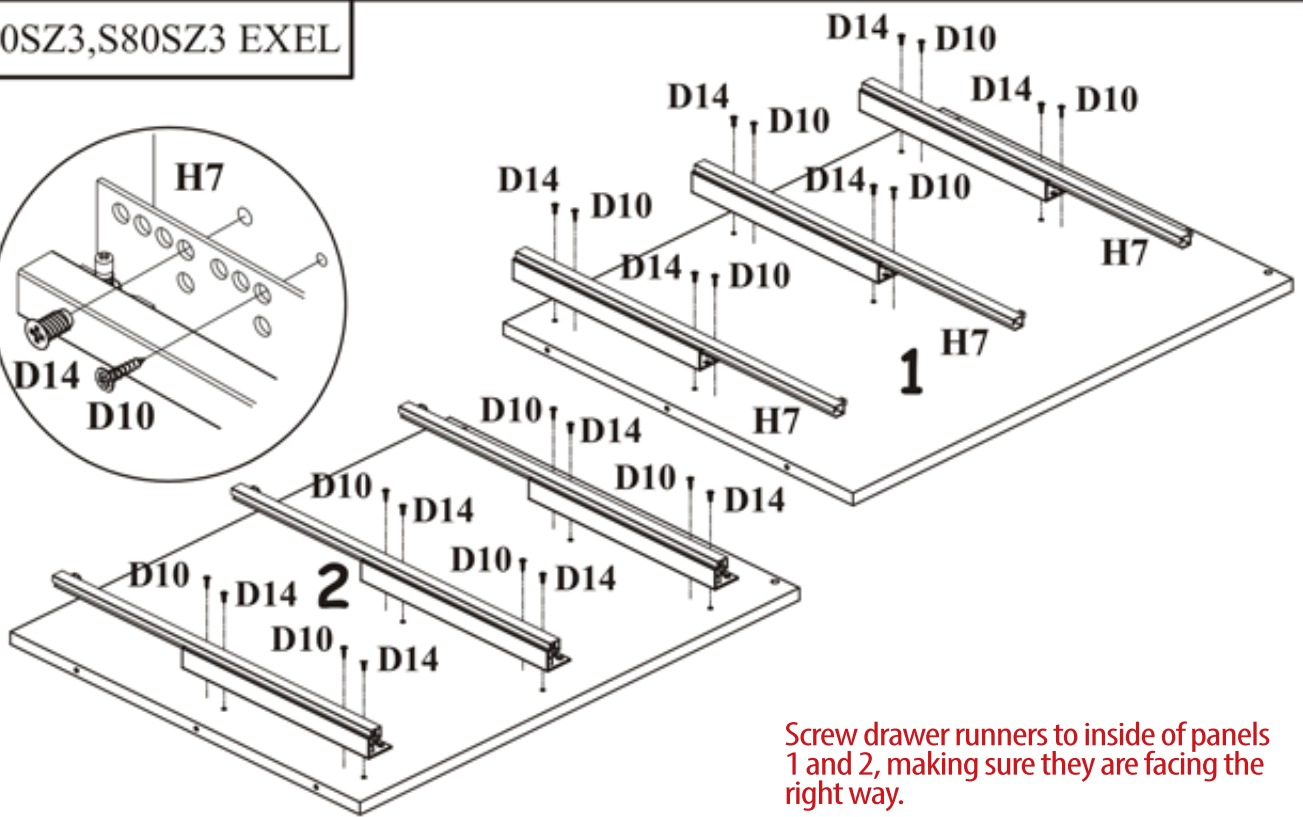
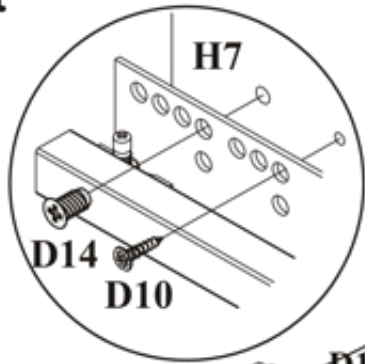
Do not push cabinets into place. Get someone to help you lift the cabinets into place, or you could risk damaging the feet.
Do not stand on the cabinets.



Once protective film on thermal wrap doors is removed, do not clean for 7 days. This allows the surface to harden. Only clean the cabinets with a small amount of warm water or non harsh chemicals.

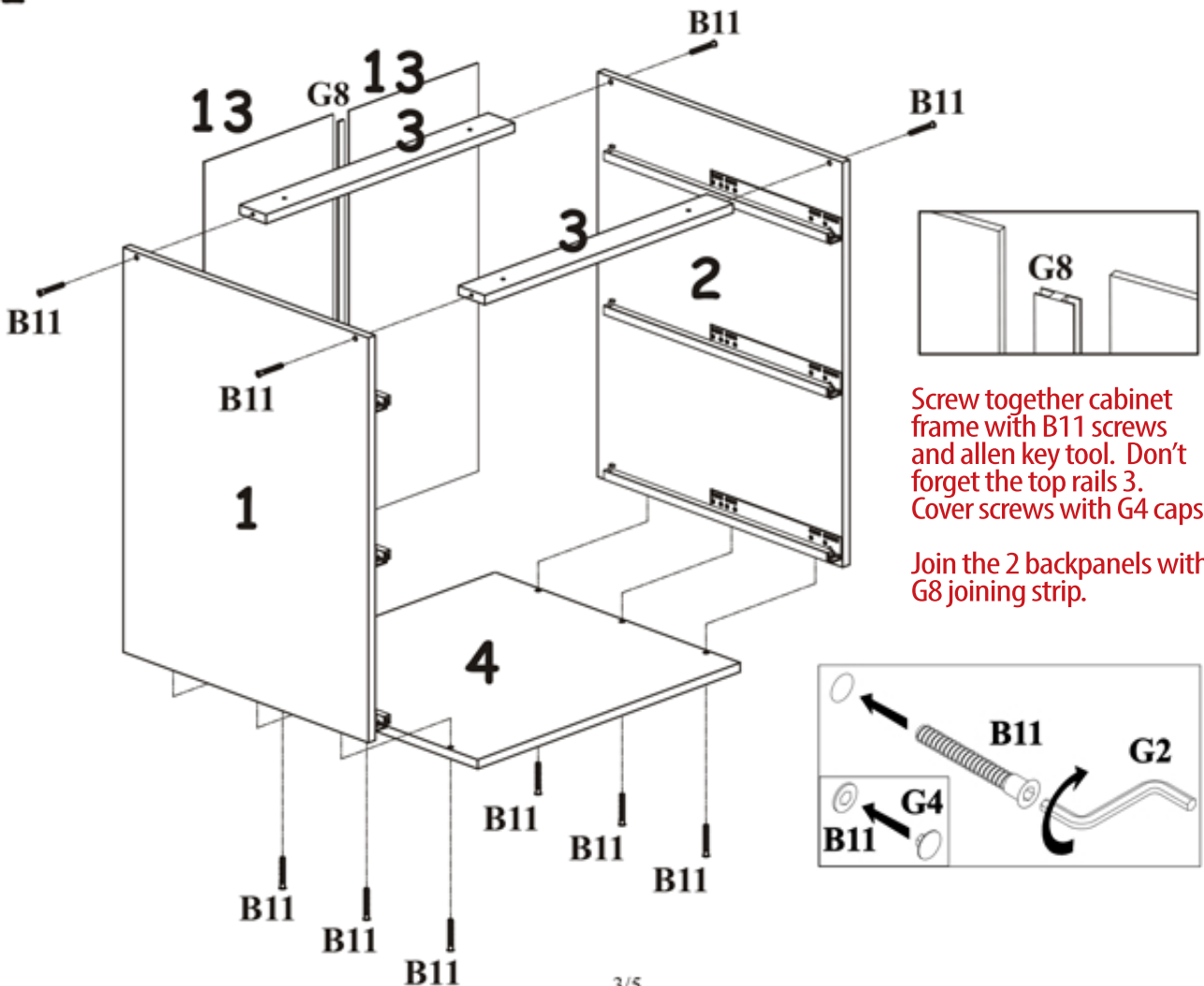
S60SZ3,S80SZ3 EXEL

1



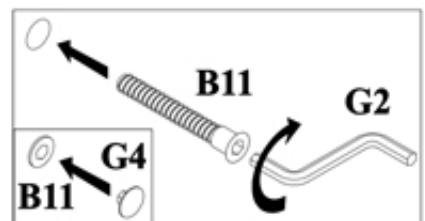
Screw drawer runners to inside of panels 1 and 2, making sure they are facing the right way.

2

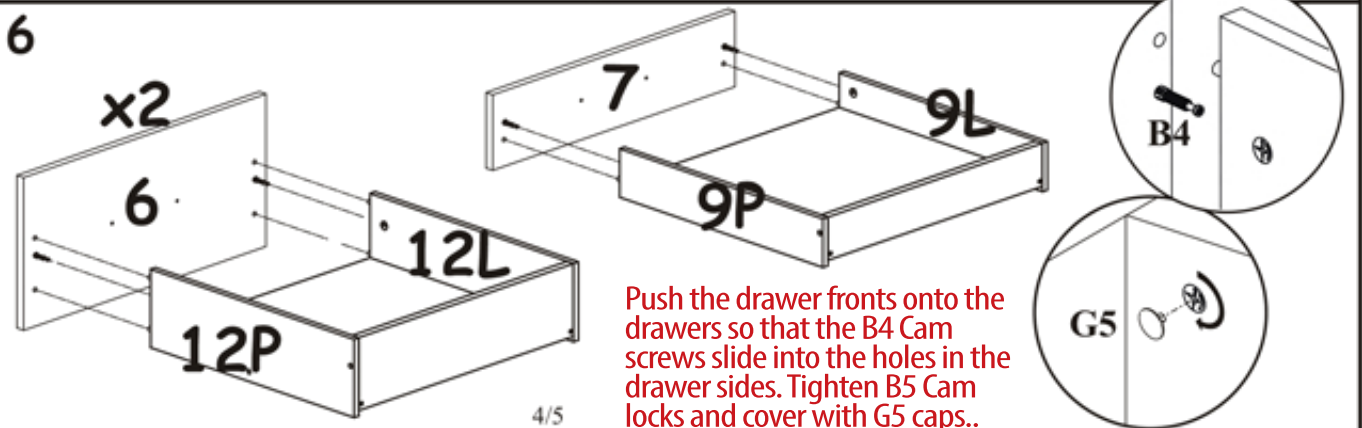
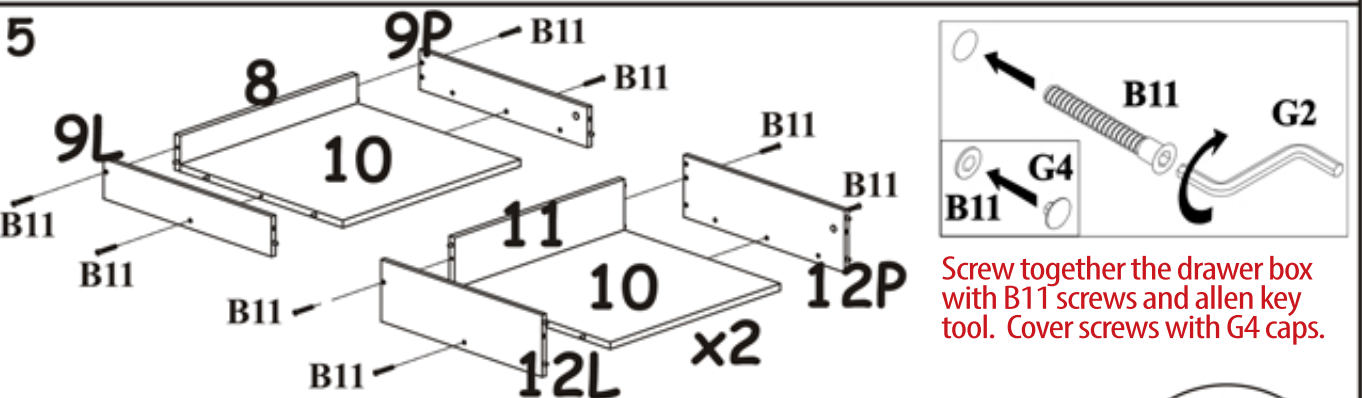
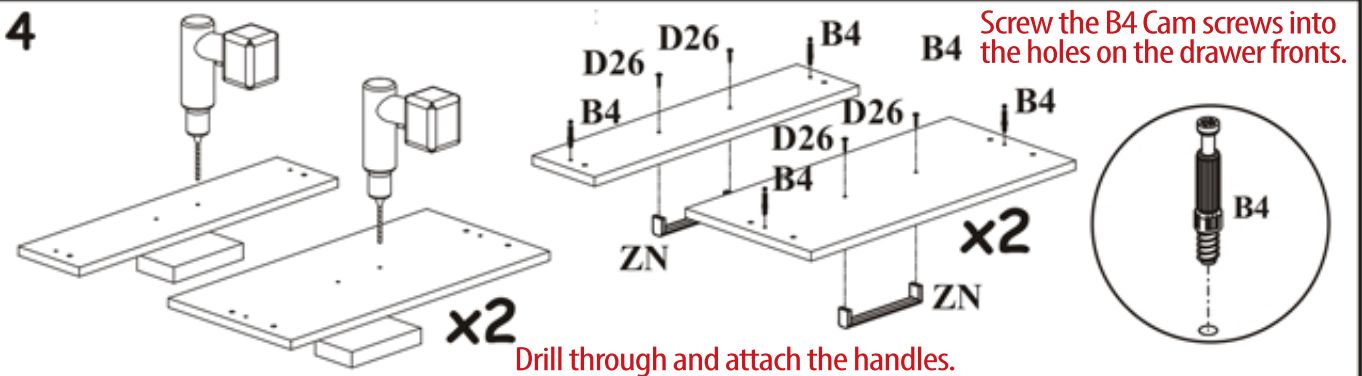
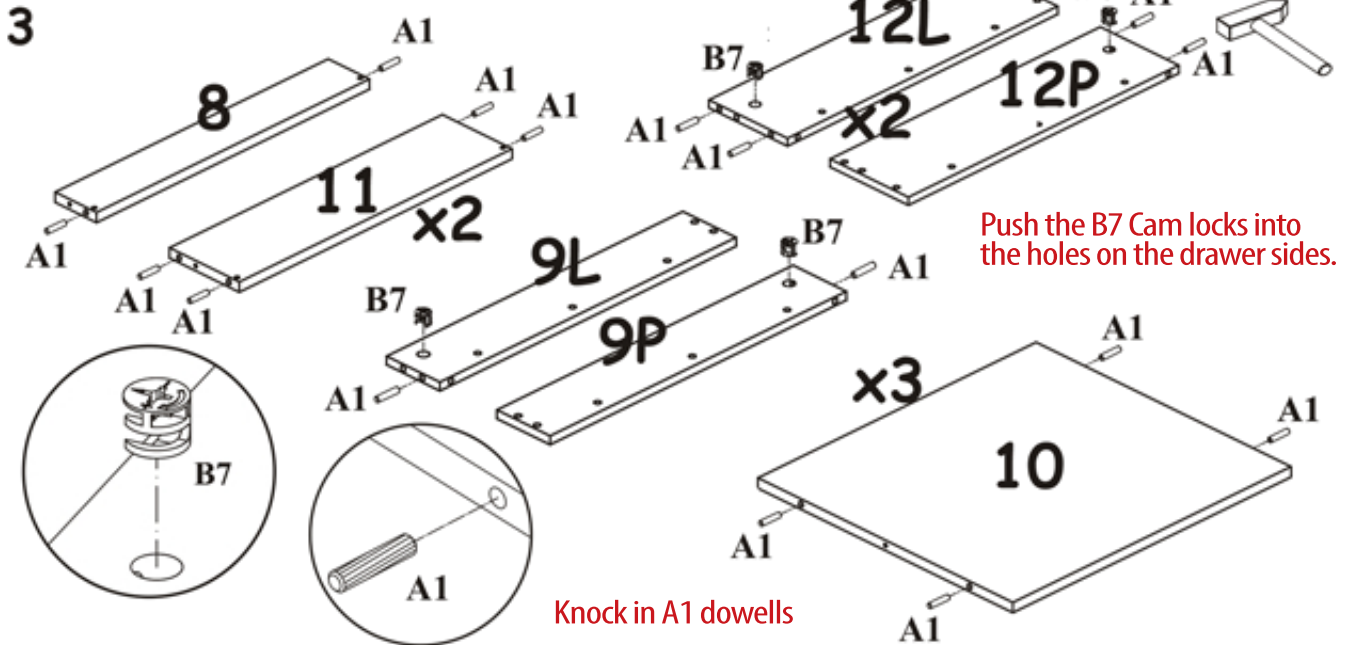


Screw together cabinet frame with B11 screws and allen key tool. Don't forget the top rails 3. Cover screws with G4 caps.

Join the 2 backpanels with G8 joining strip.

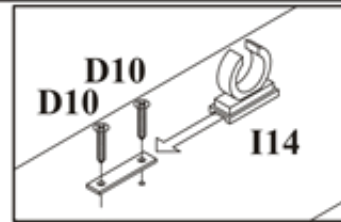
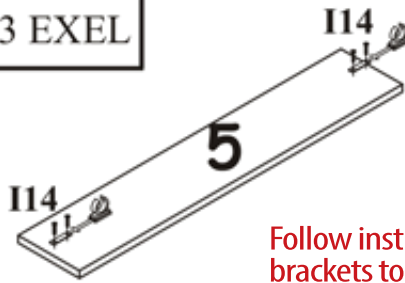


S60SZ3,S80SZ3 EXEL



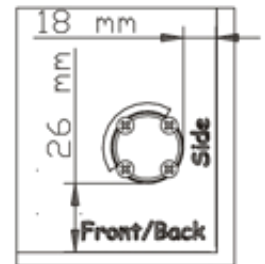
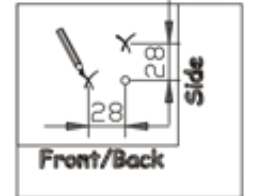
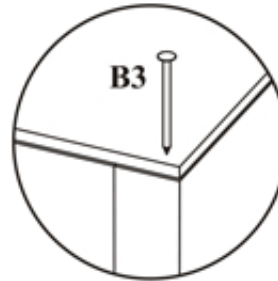
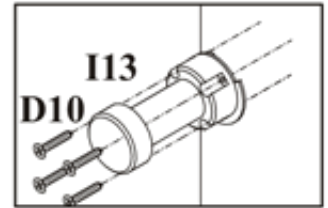
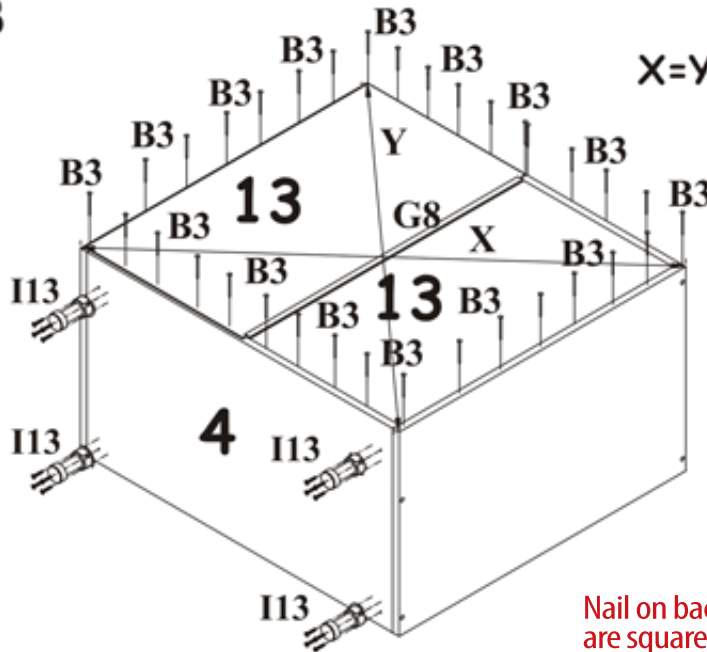
S60SZ3,S80SZ3 EXEL

7



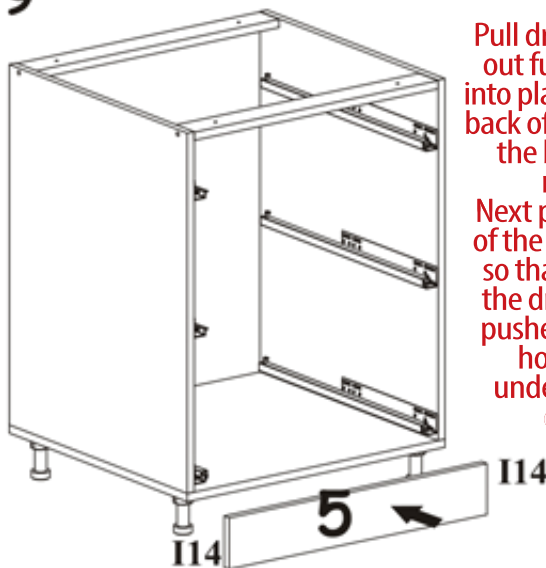
Follow instructions for fitting toe kicks. Screw on the toe kick clip brackets to line up with the cabinet feet and slide the clips on.

8



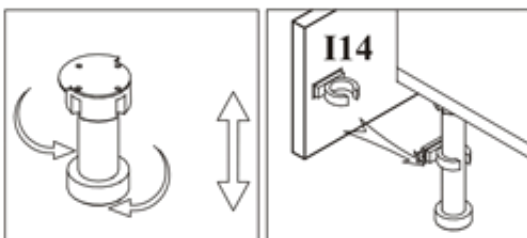
Nail on back panels making sure they are square, and screw feet to base.

9



Pull drawer runners out fully. Lift draw into place, sliding the back of the drawer to the backs of the runners. Next push the front of the drawer down so that the peg on the drawer runner pushes up into the holes on the underside of the cabinet.

Adjust the feet to make the cabinet top level, then clip the toe kick into place.



10

