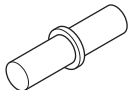
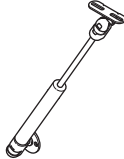

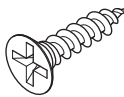
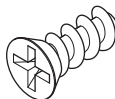
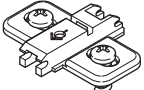
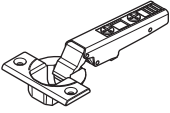
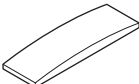
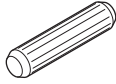
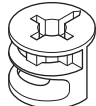
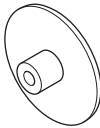
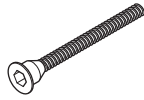
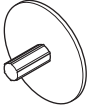
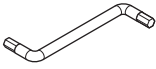
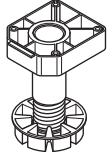
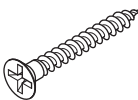
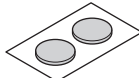
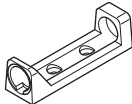
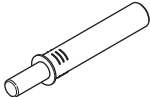
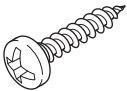
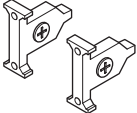
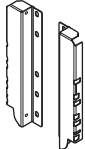
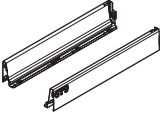
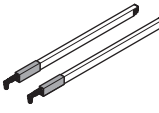
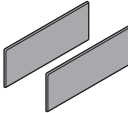
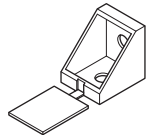

 <b>B4</b> pc. 30	 <b>G7</b> pc. 4	 <b>BP1</b> pc. 1	 <b>SET</b> <b>BM1</b> pc. 1	 <b>USØ3,5x16</b> <b>D30</b> pc. 44	 <b>Ø6x13</b> <b>D8</b> pc. 6	 <b>E8</b> pc. 2
 <b>E7</b> pc. 2	 <b>F01</b> pc. 2	 <b>Ø8x35</b> <b>A1</b> pc. 32	 <b>Ø15x12</b> <b>B5</b> pc. 30	 <b>G5</b> pc. 30	 <b>Ø7x50</b> <b>B11</b> pc. 10	 <b>G4</b> pc. 10
 <b>G2</b> pc. 1	 <b>I15</b> pc. 4	 <b>USØ4x35</b> <b>D27</b> pc. 16	 <b>I03</b> pc. 1	 <b>AR1</b> pc. 2	 <b>AR2</b> pc. 2	 <b>USØ3,5x18</b> <b>D18</b> pc. 4
 <b>SET</b> <b>BM2</b> pc. 1	 <b>SET</b> <b>BM4</b> pc. 1	 <b>SET</b> <b>BM5</b> pc. 1	 <b>SET</b> <b>BM6</b> pc. 1	 <b>SET</b> <b>BM7</b> pc. 1	 <b>KM1</b> pc. 4	 <b>I16</b> pc. 2

## Symbology



Phases of assembly



Reference to the detail



Elements



Screw partially



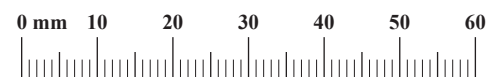
Hardware and tools

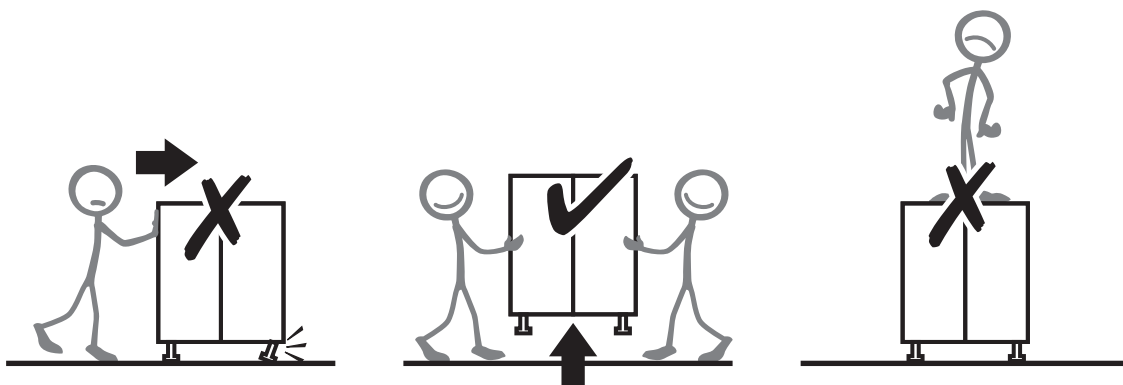
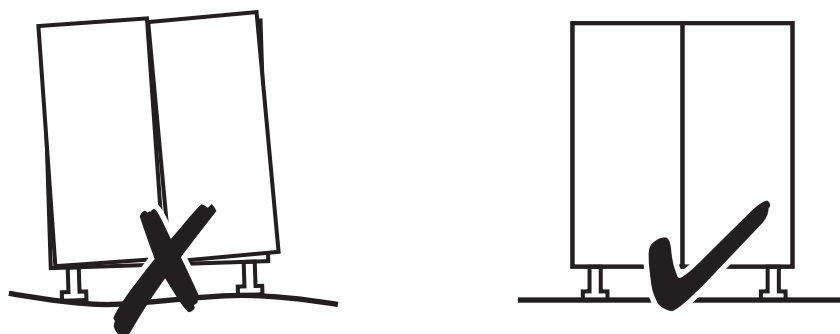
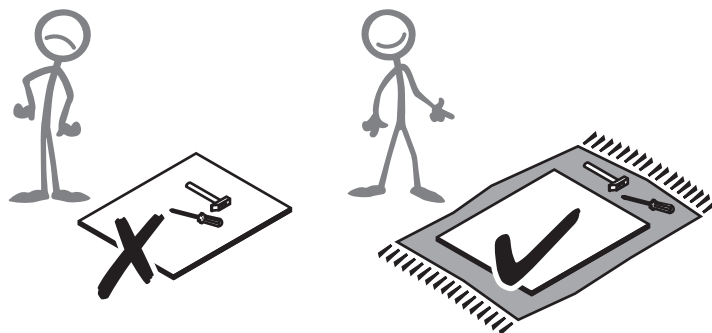
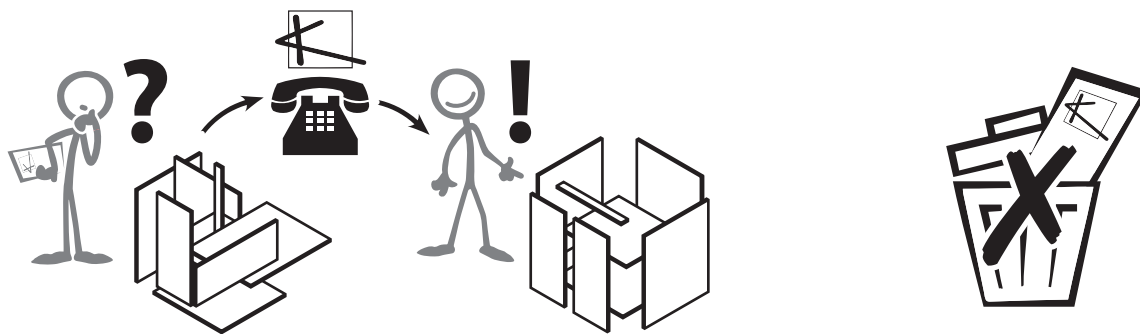


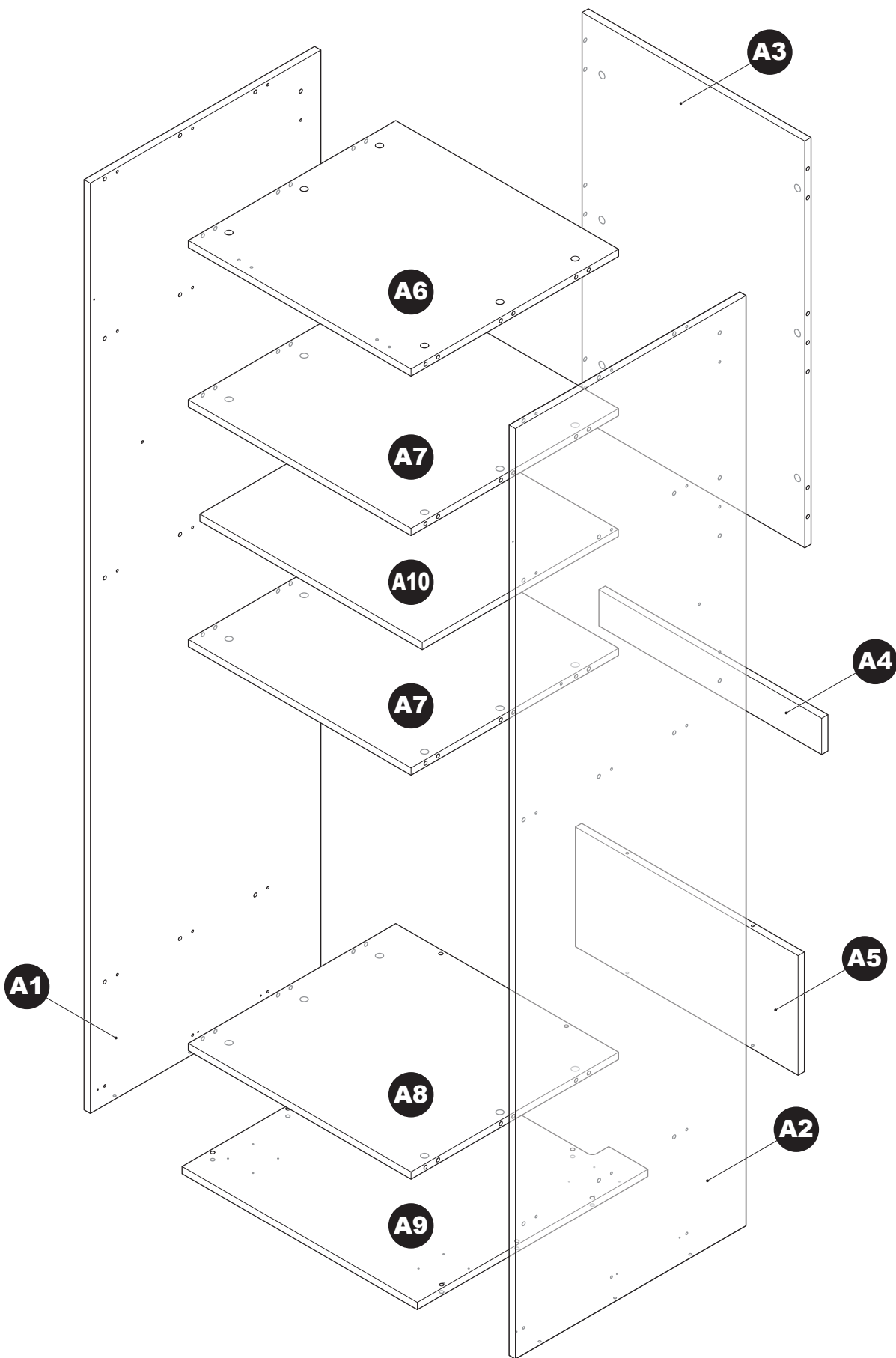
Movement direction



120 min

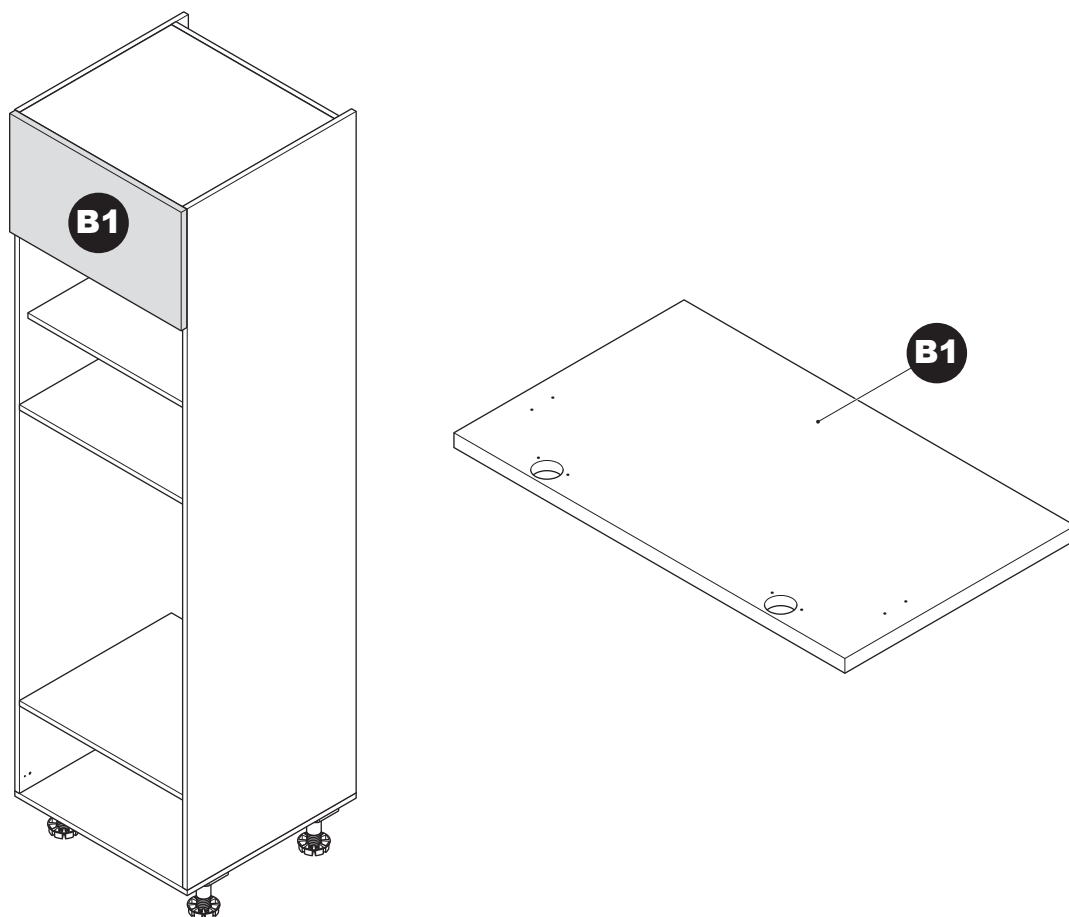




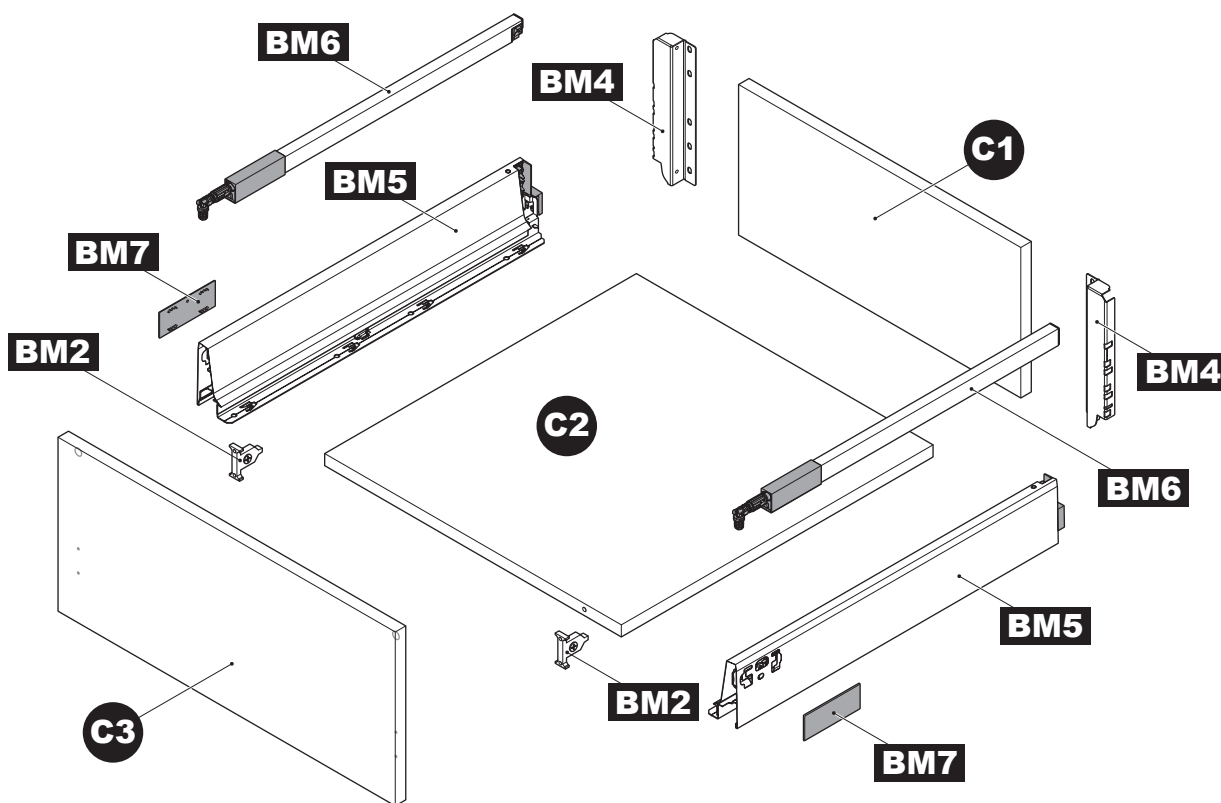




**B**

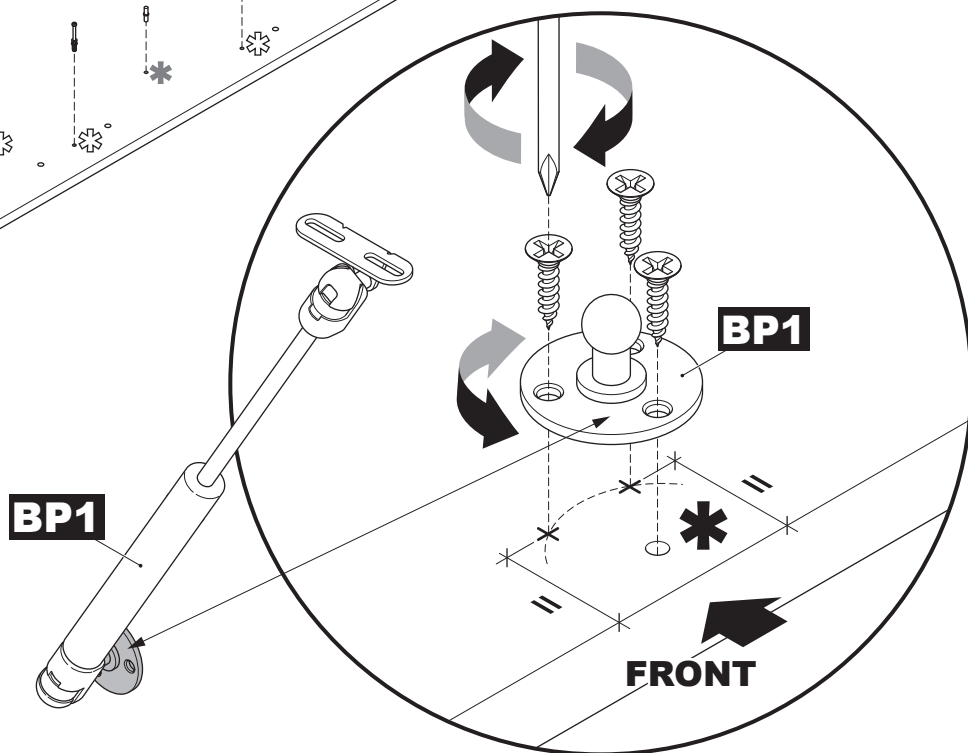
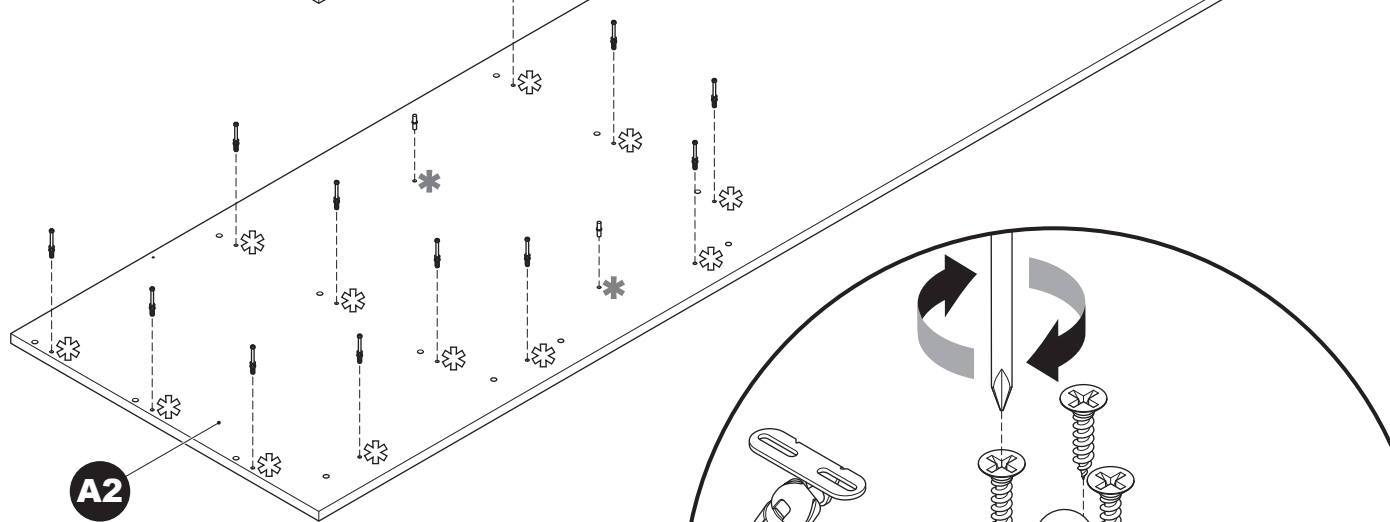
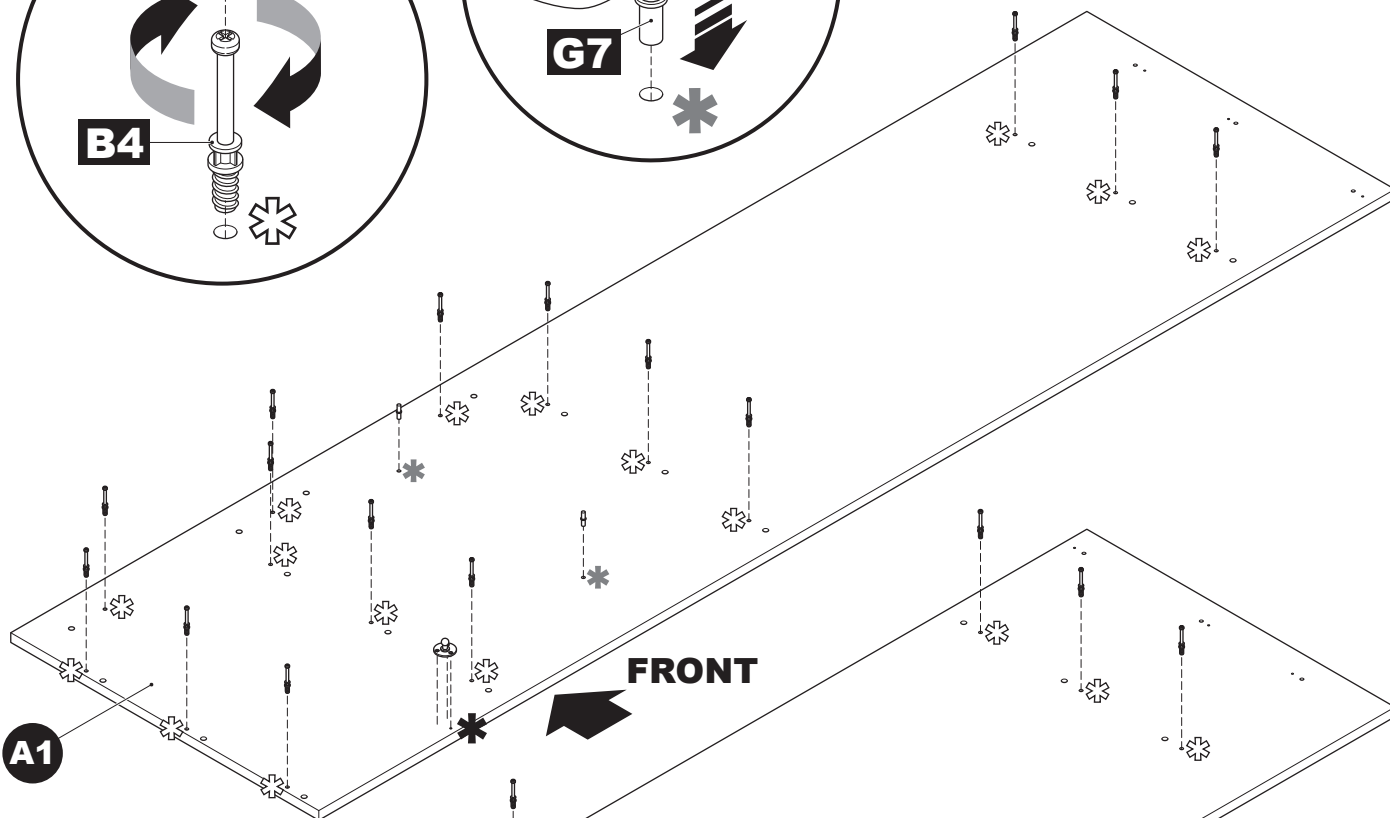
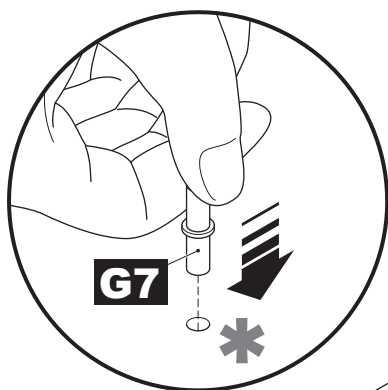
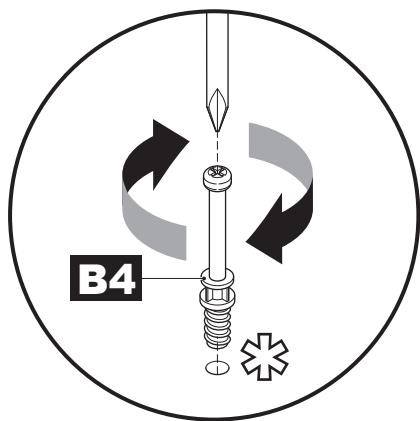


**C**





**1** **A**





**2** **A**

**BM1**

**D30**

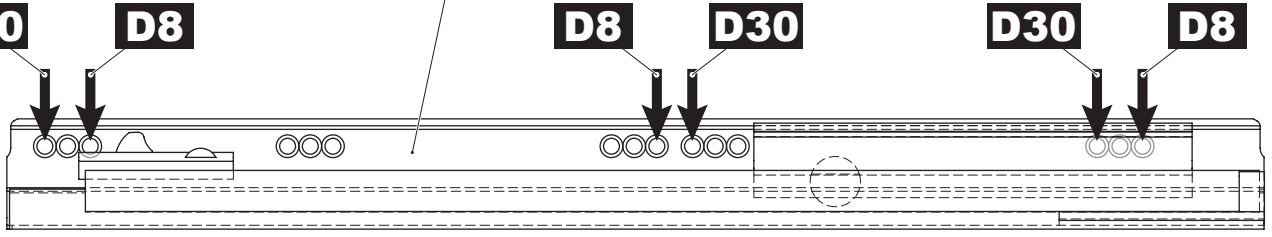
**D8**

**D8**

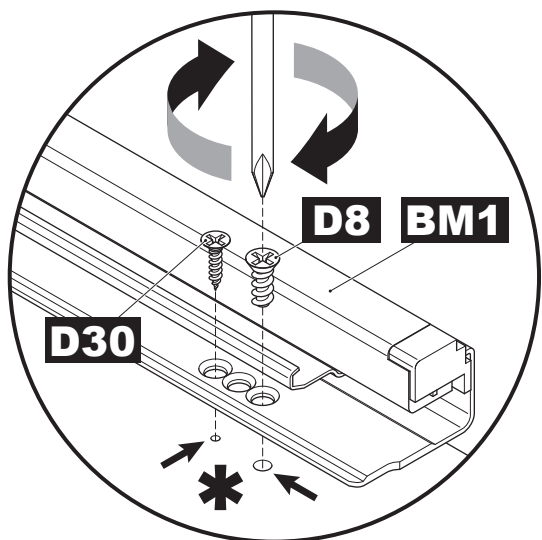
**D30**

**D30**

**D8**

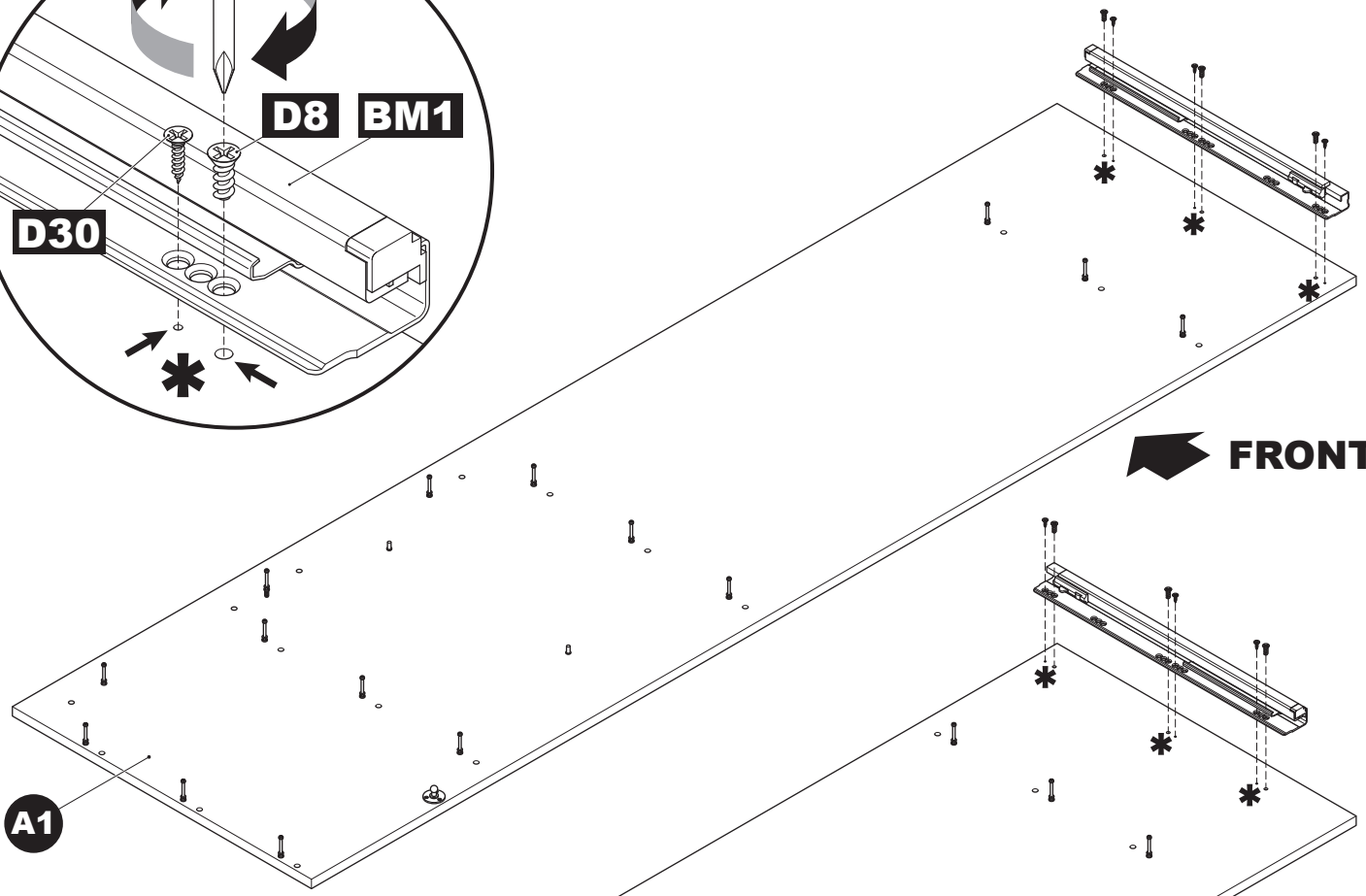


**FRONT**



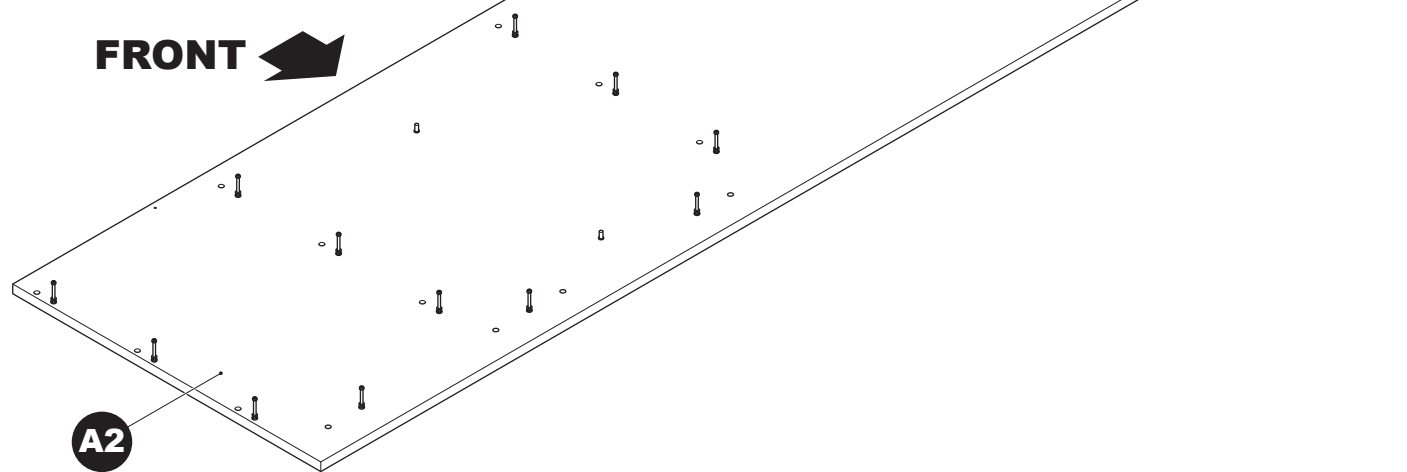
**A1**

**FRONT**



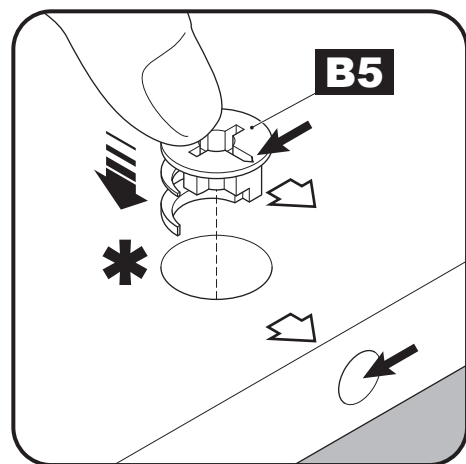
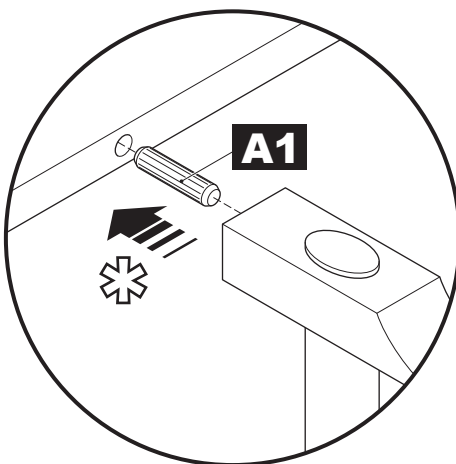
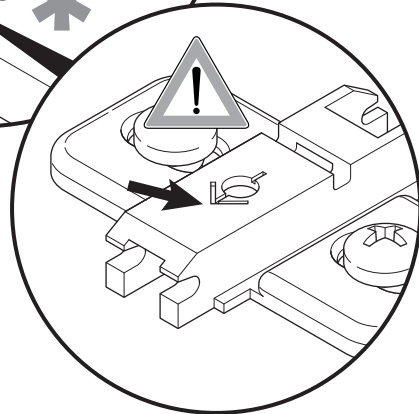
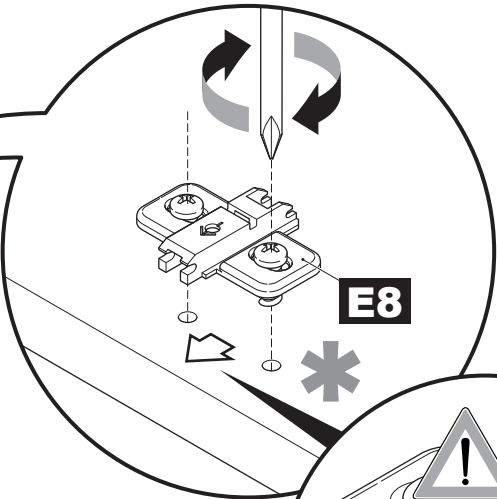
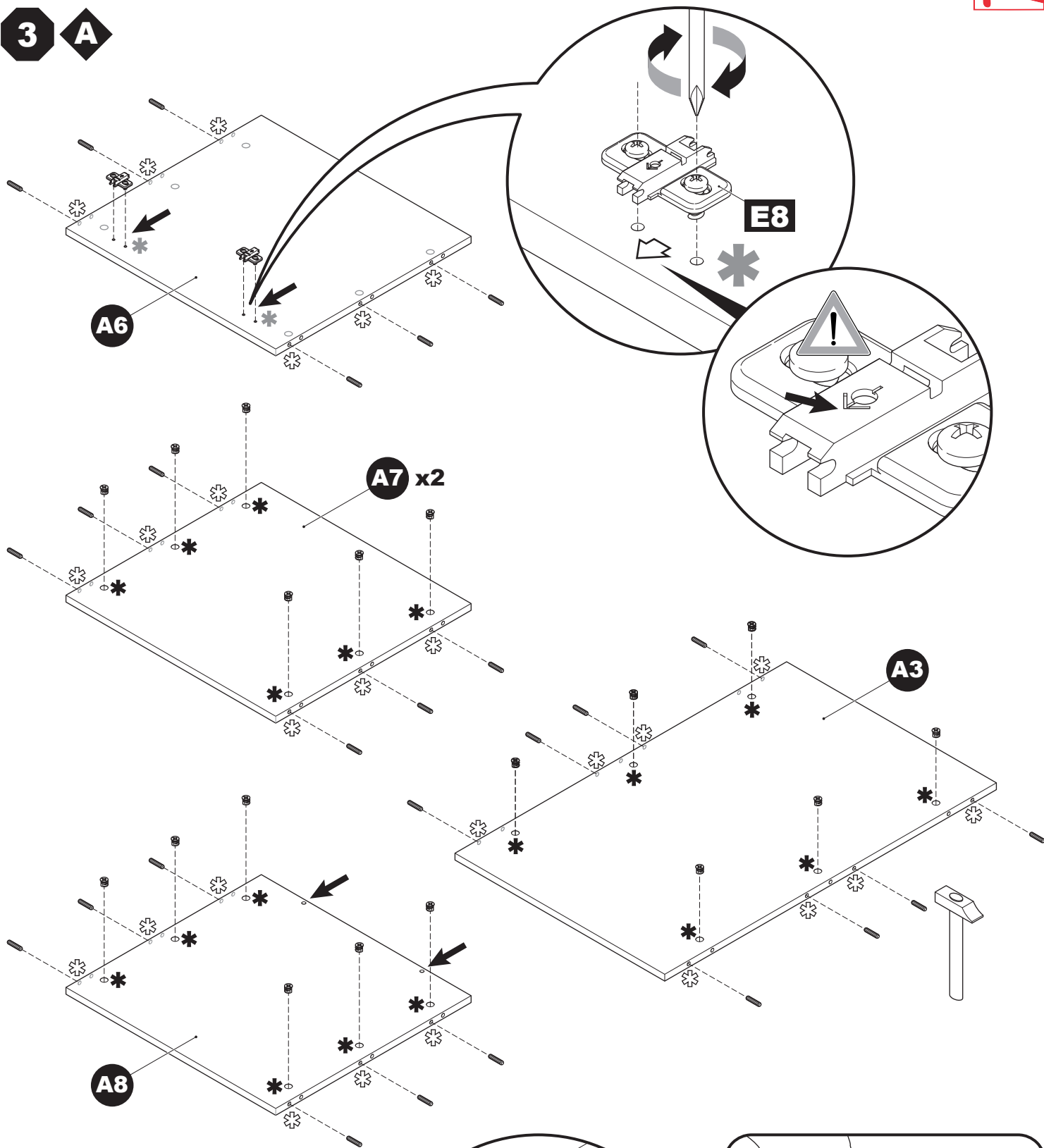
**FRONT**

**A2**



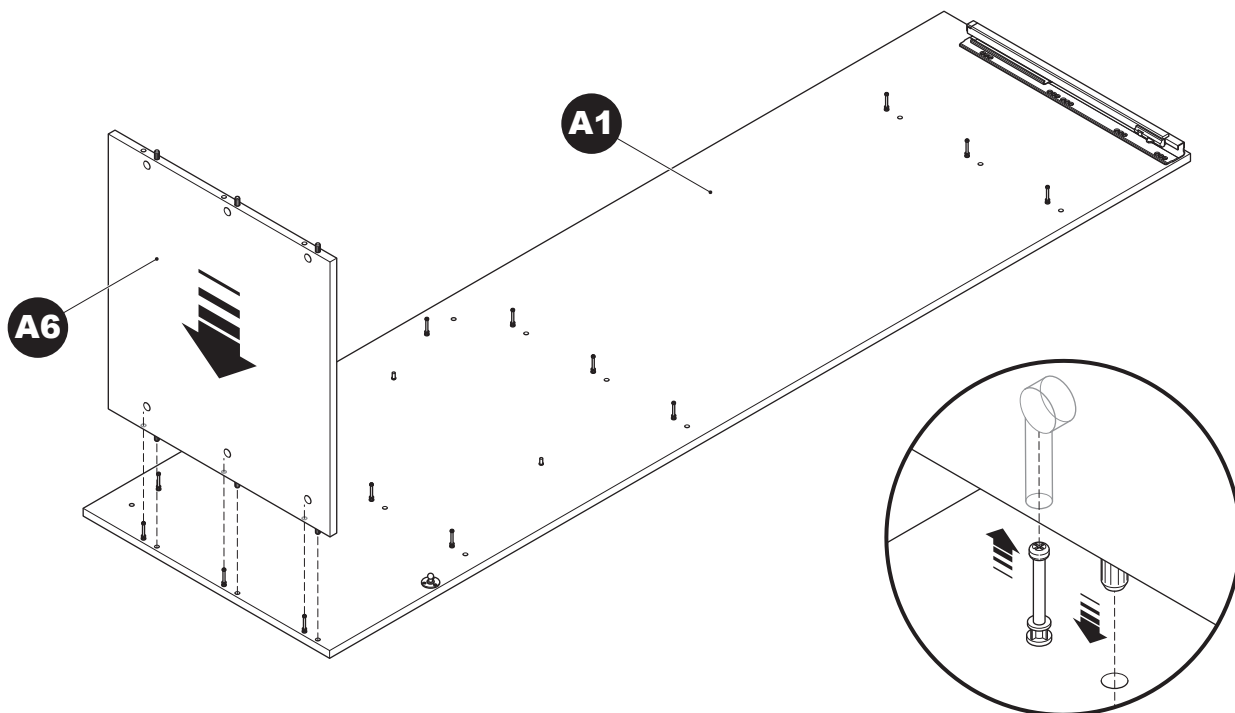


**3** **A**

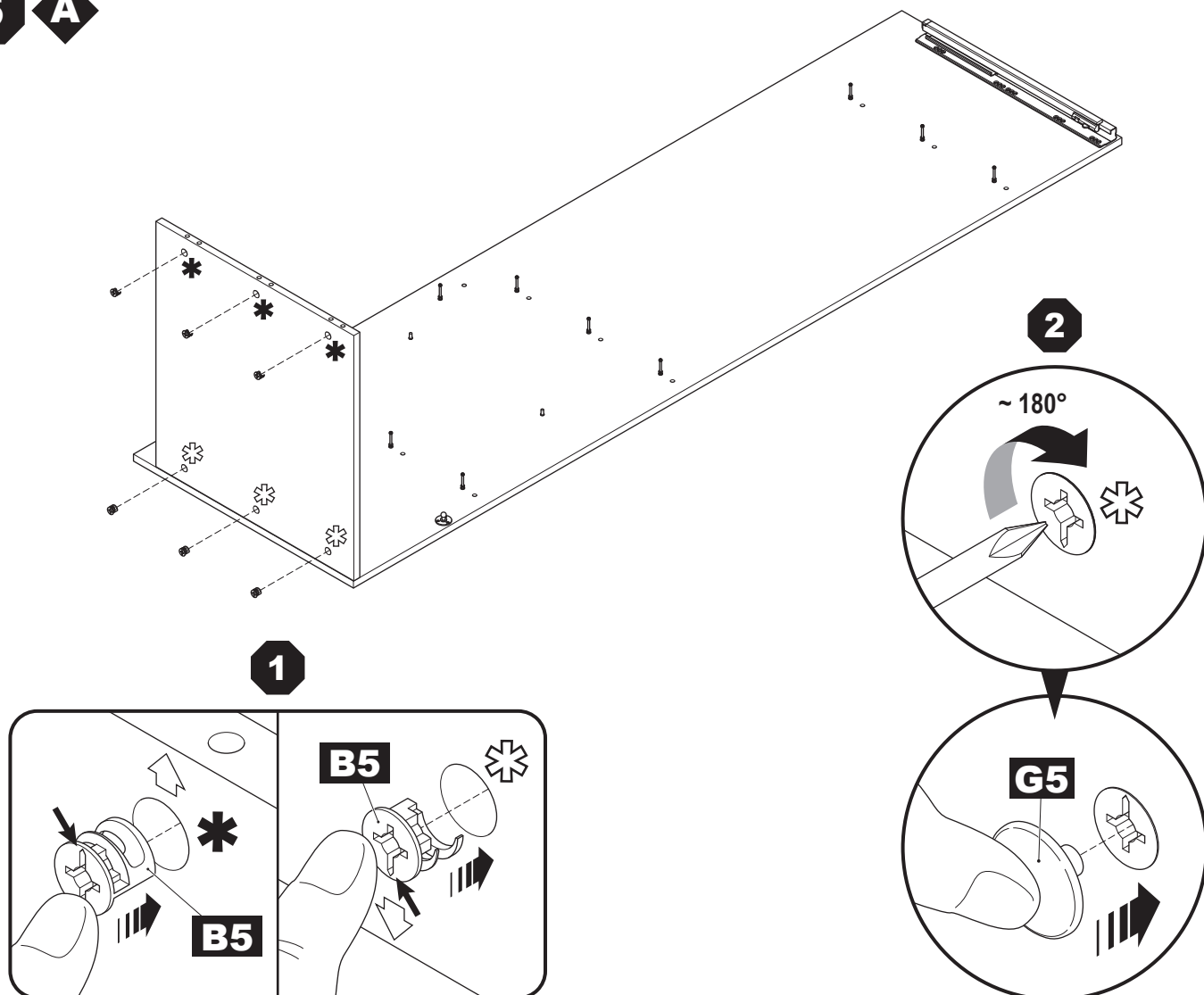




**4** **A**



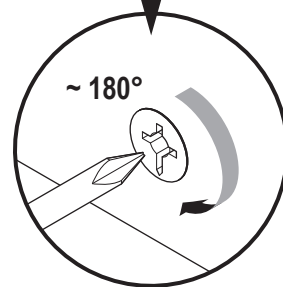
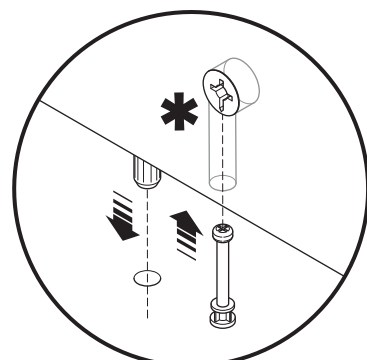
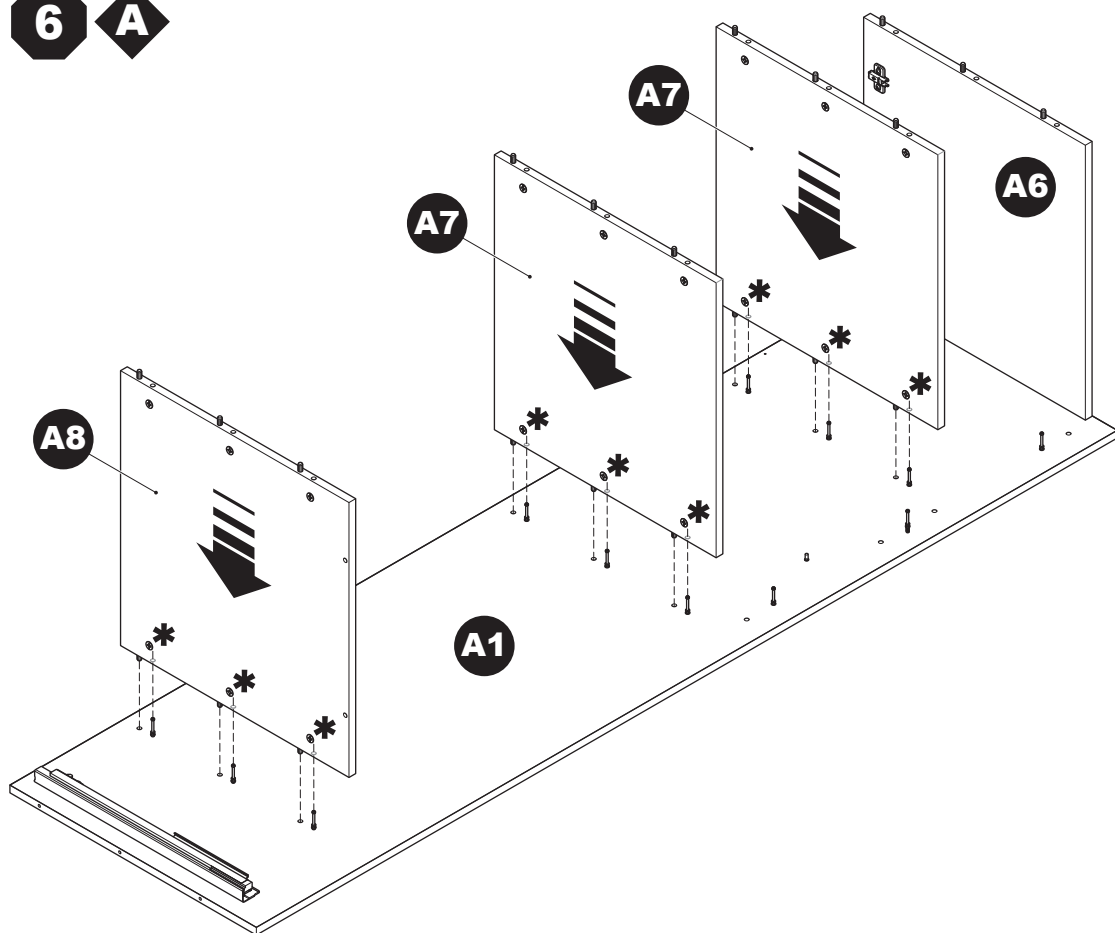
**5** **A**



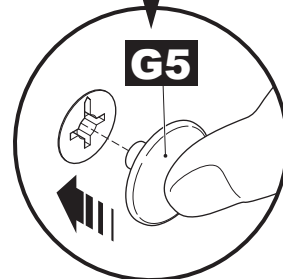
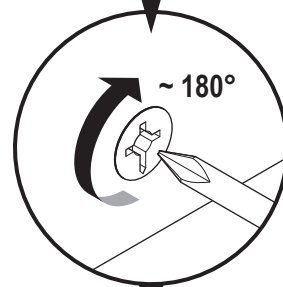
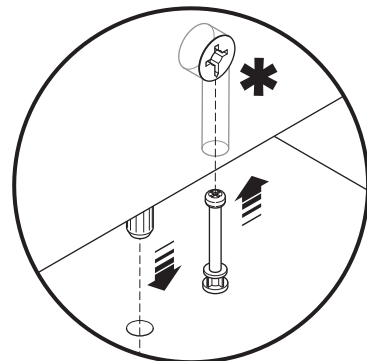
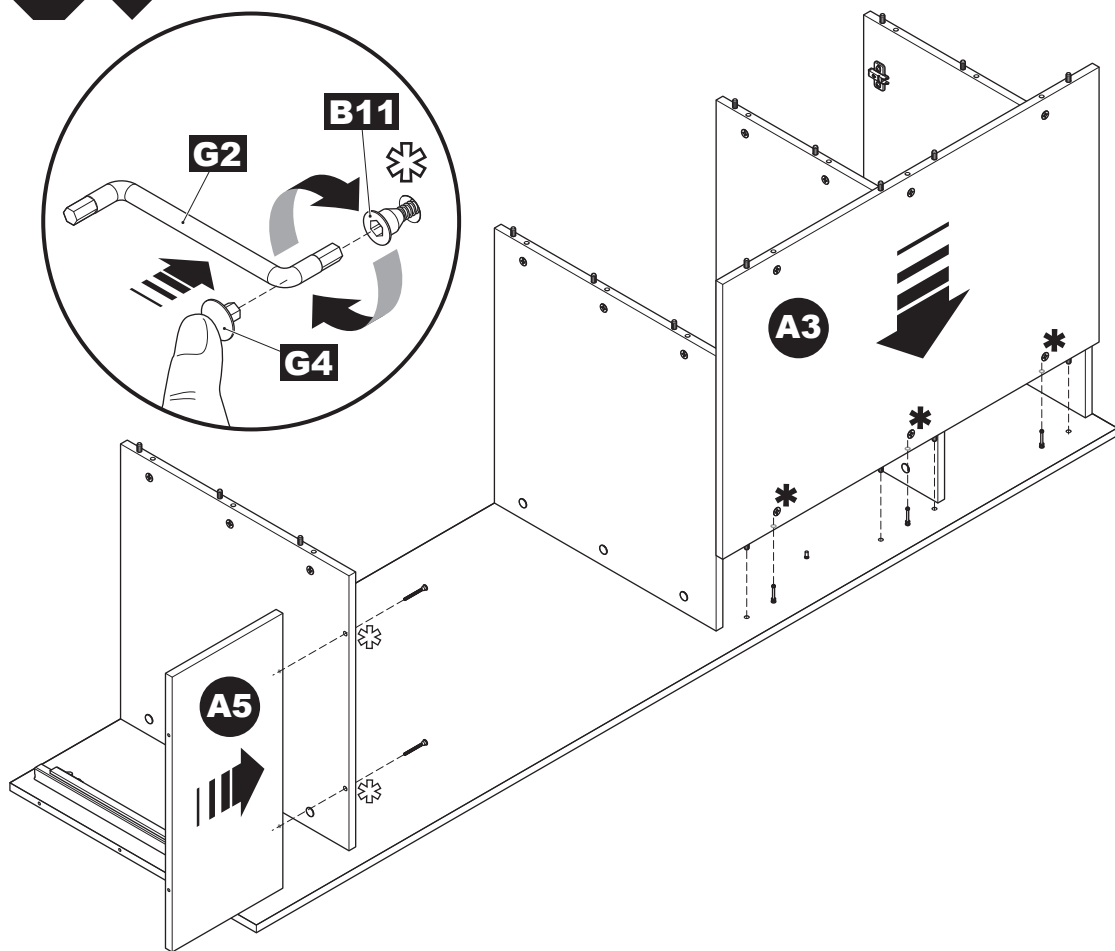




**6** **A**

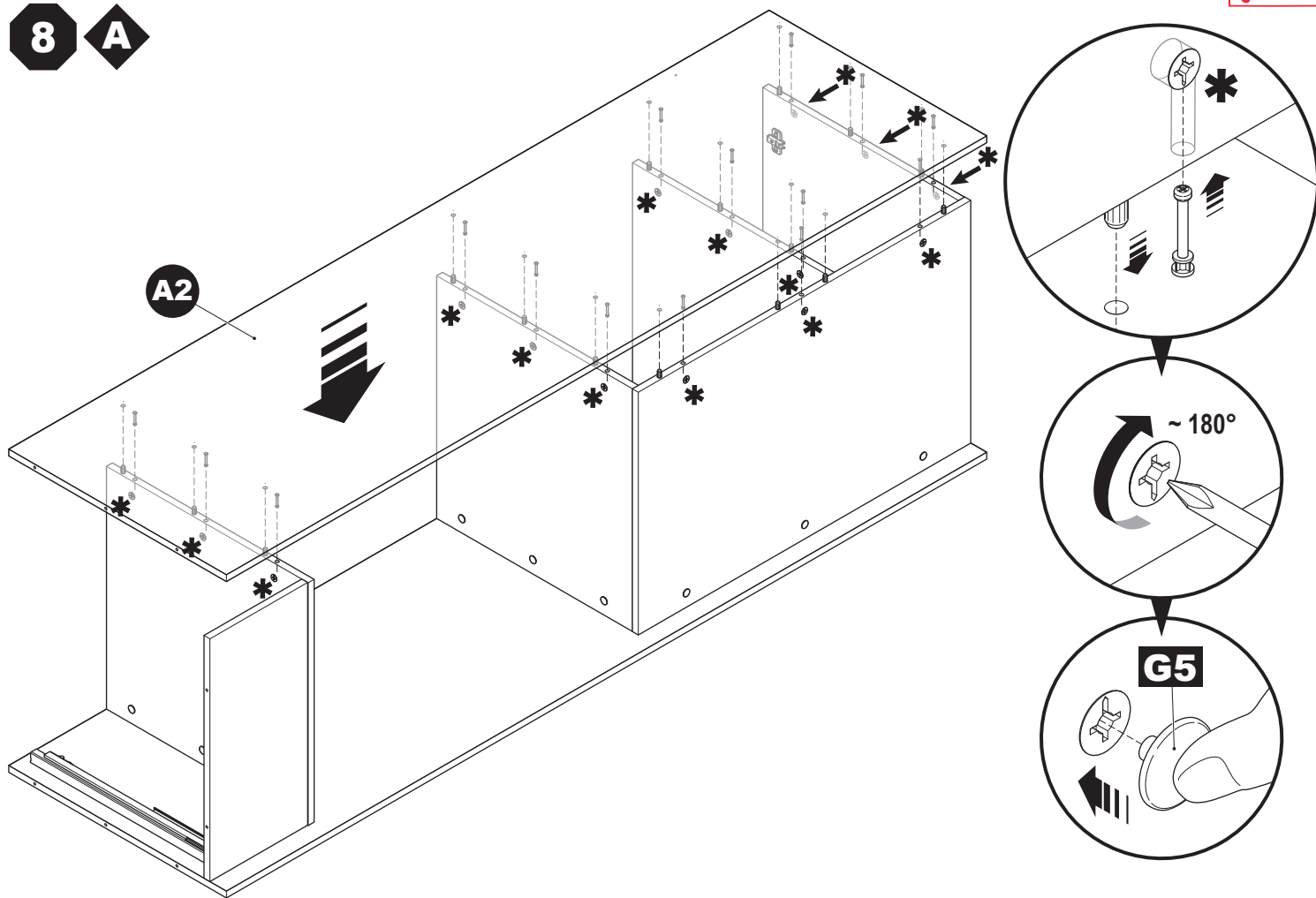


**7** **A**

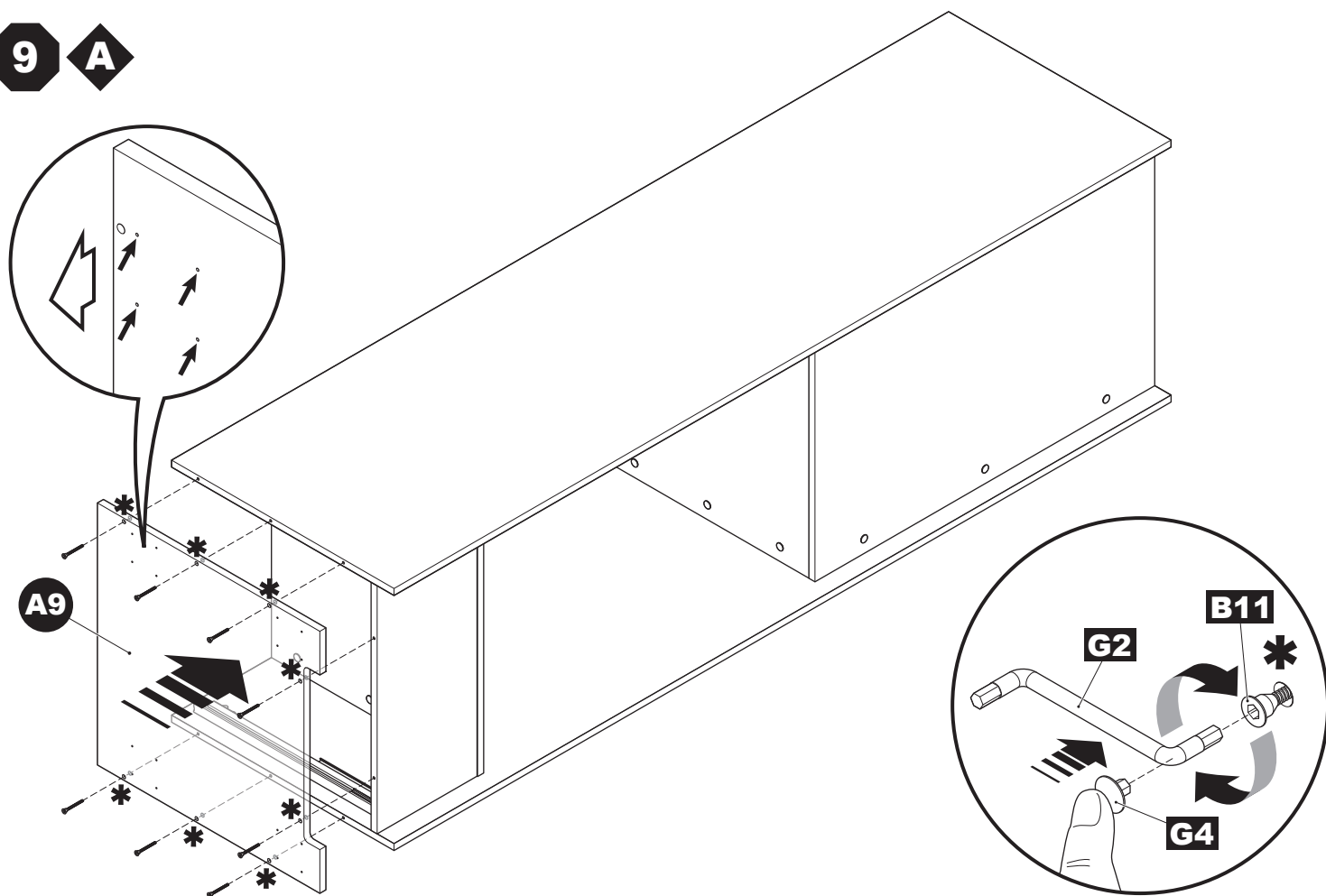




**8** **A**

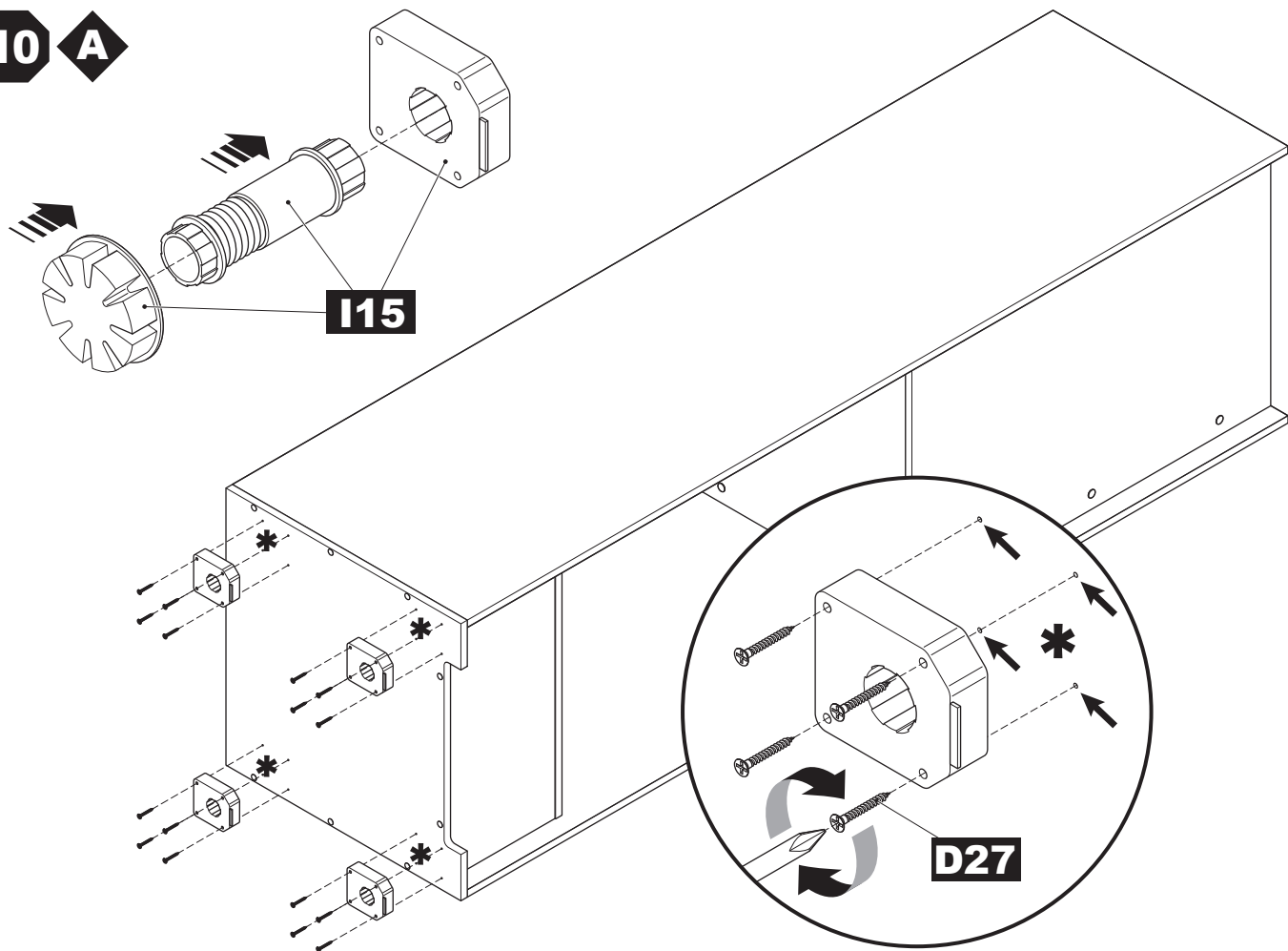


**9** **A**

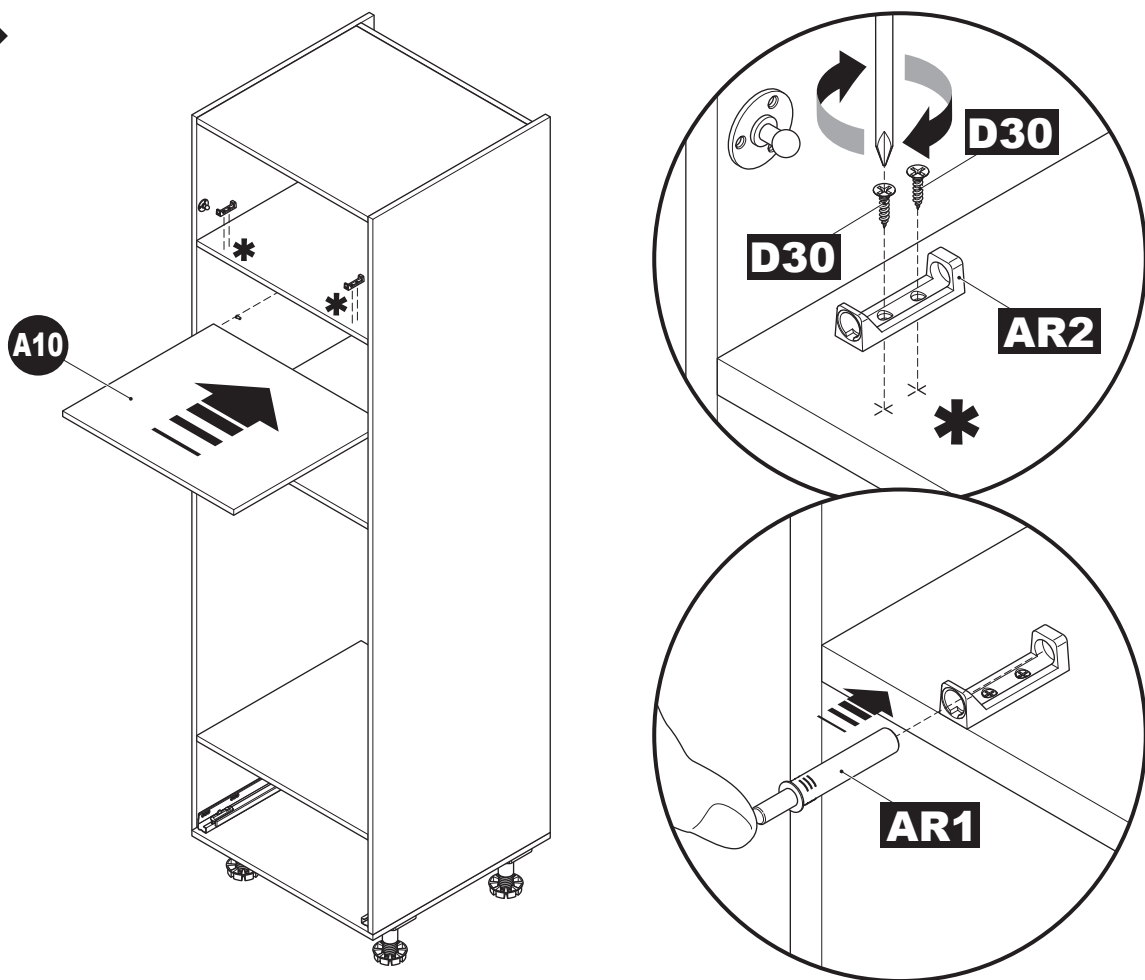




**10** **A**

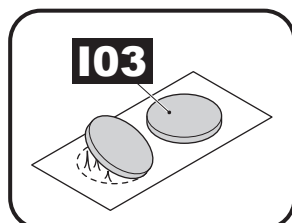
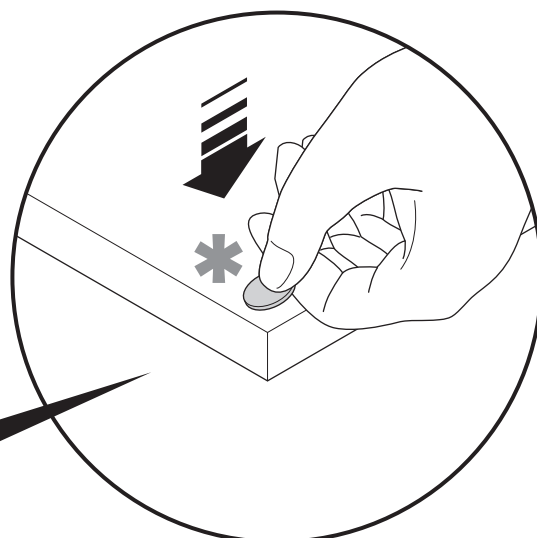
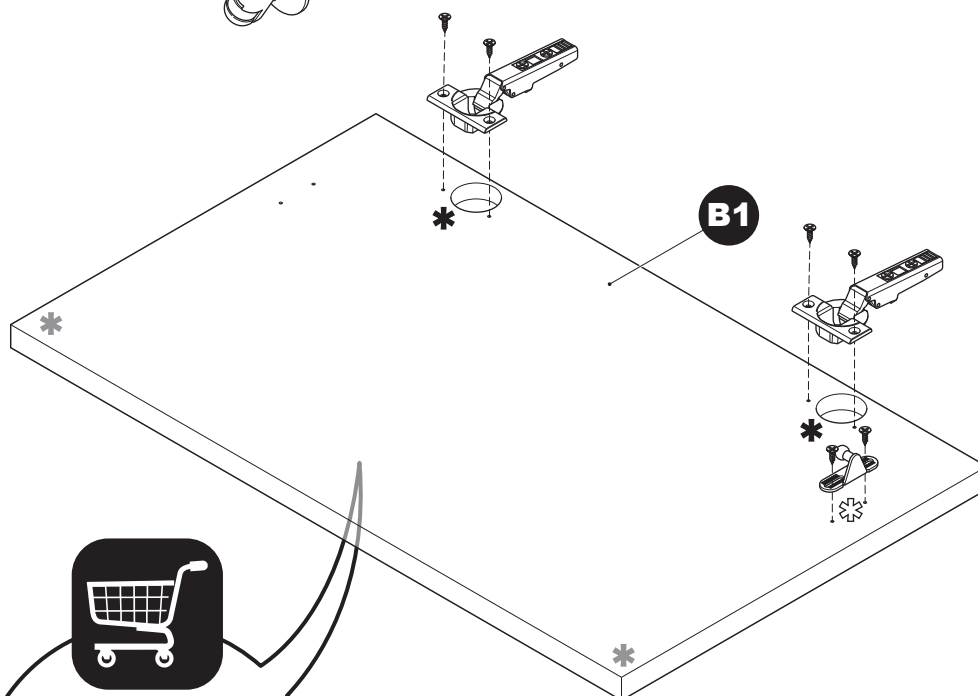
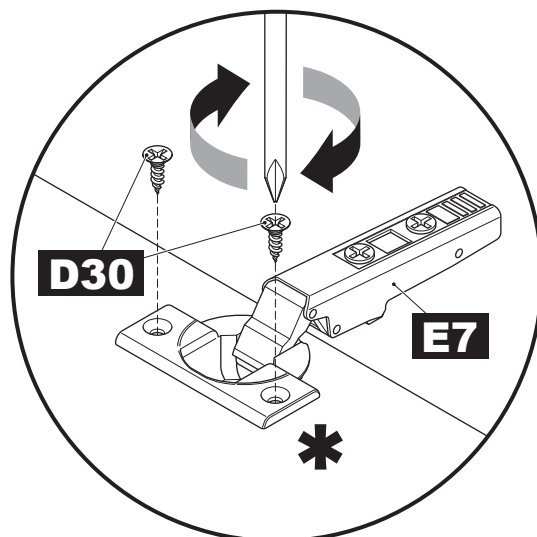
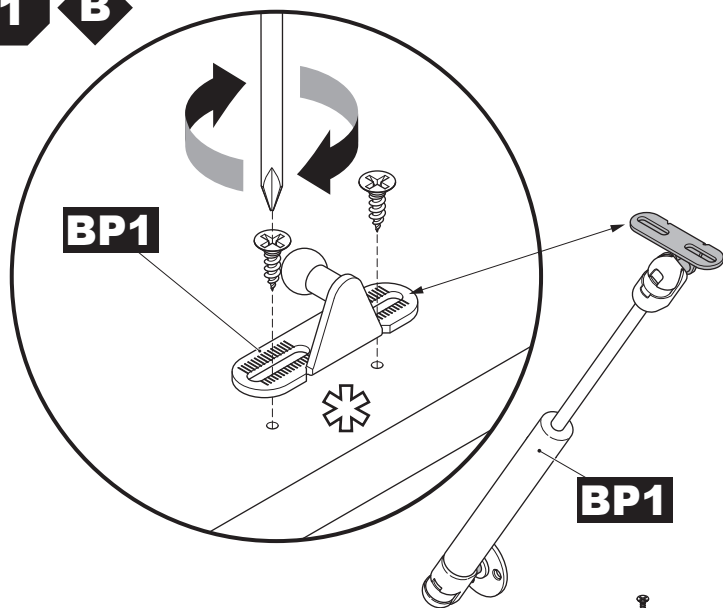


**11** **A**



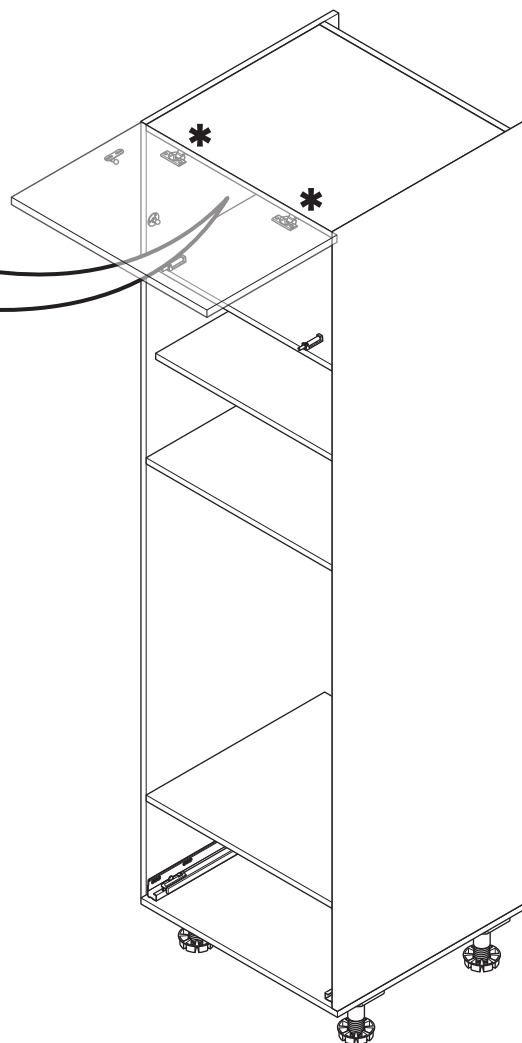
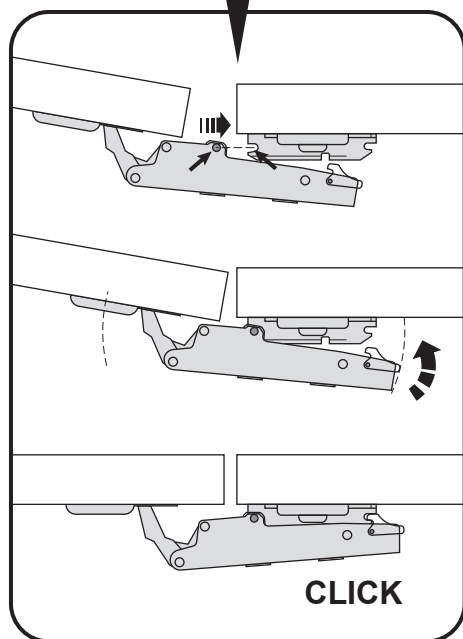
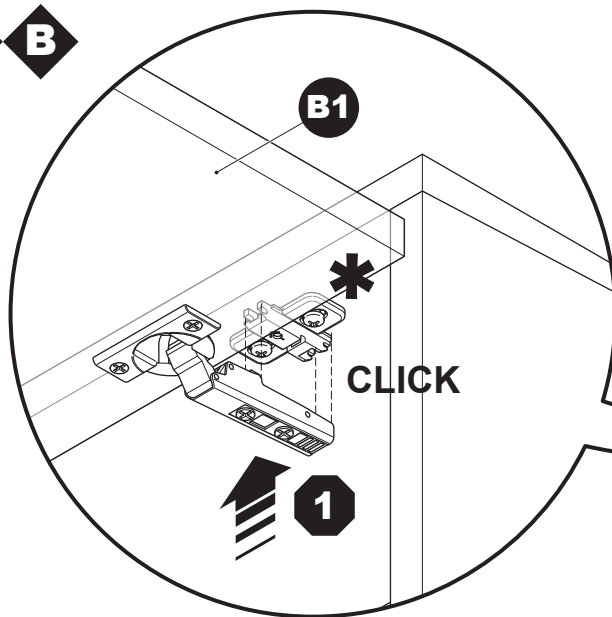


**1** **B**

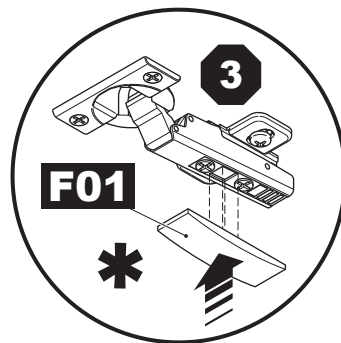
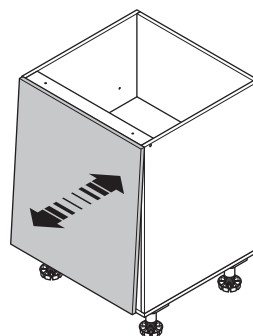
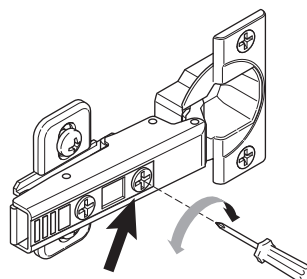
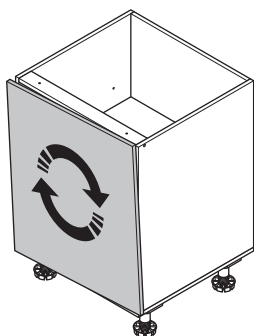
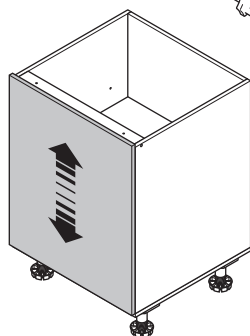
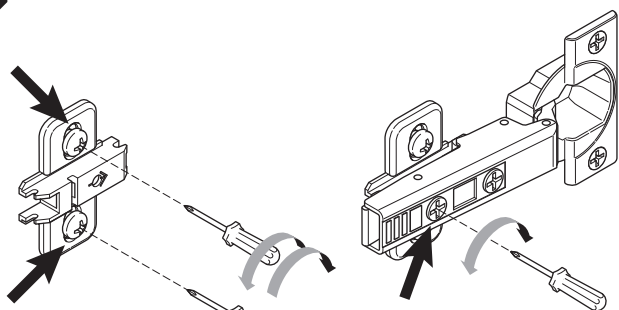




**1** **A** **B**

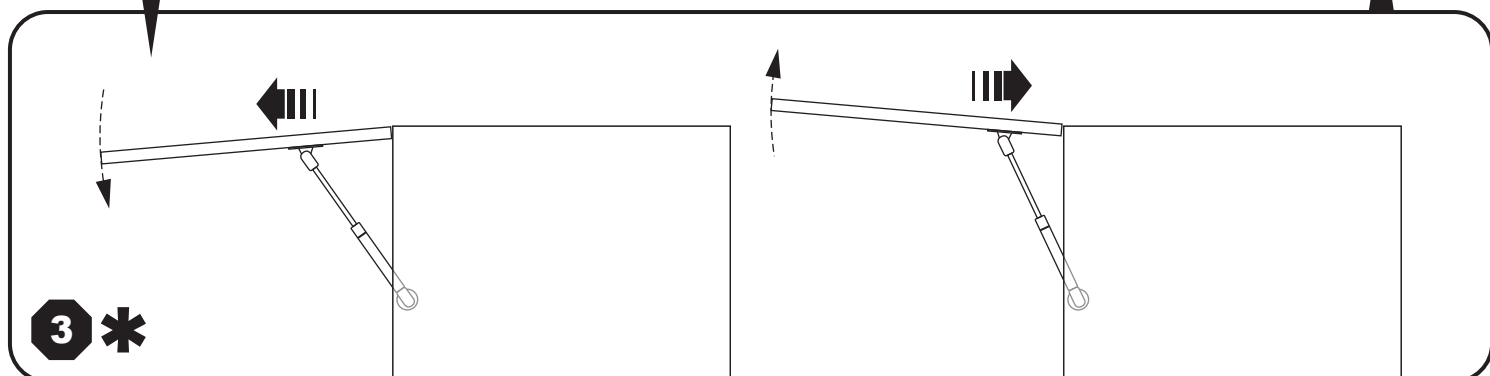
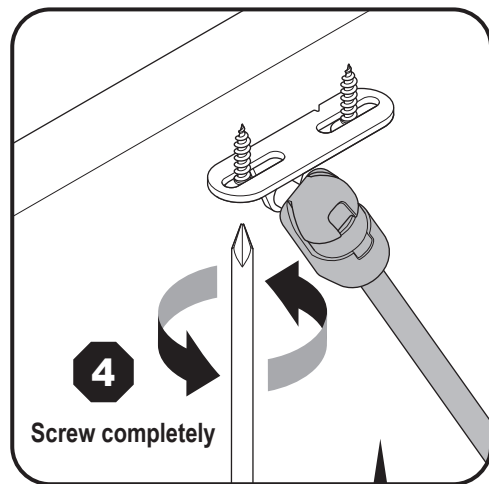
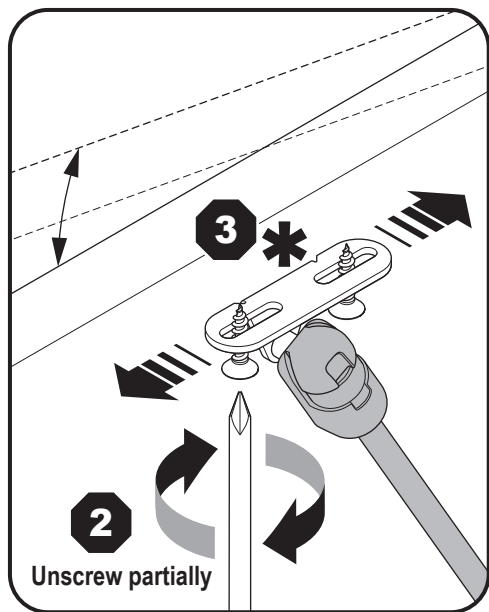
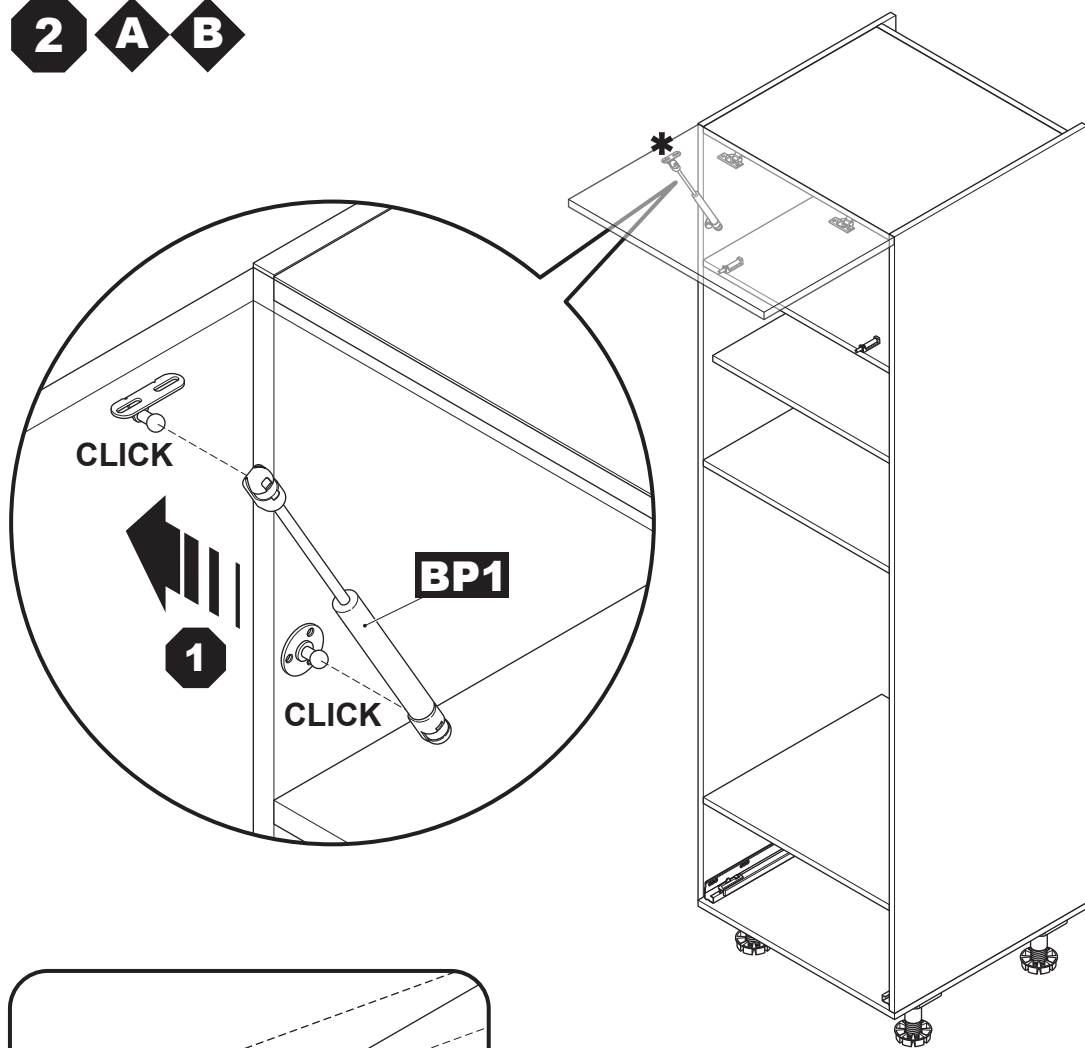


**2**



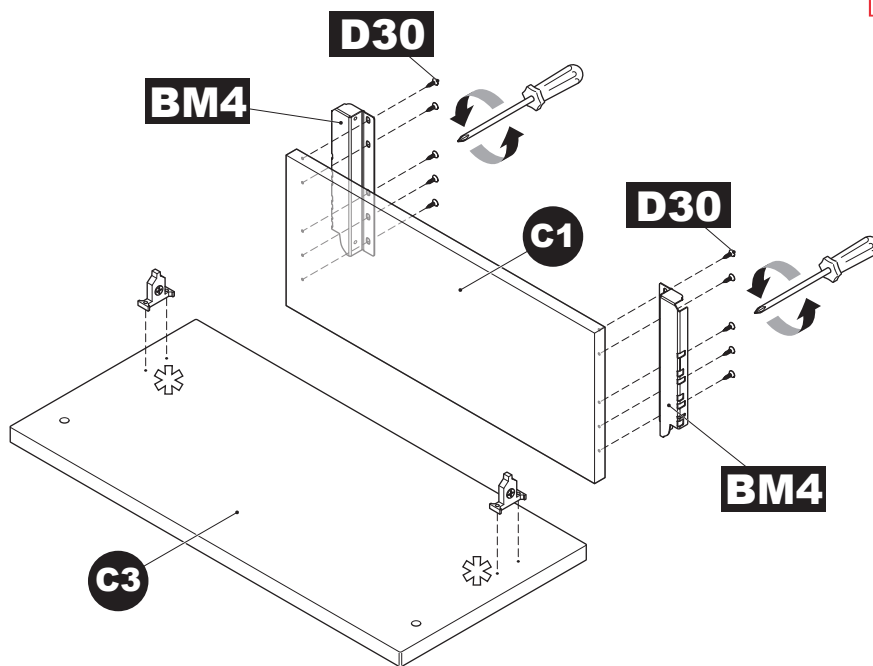
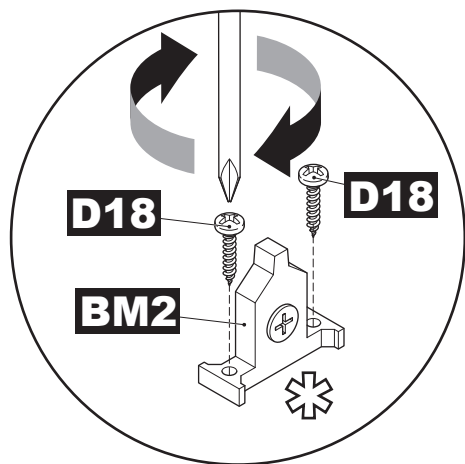


**2** **A** **B**

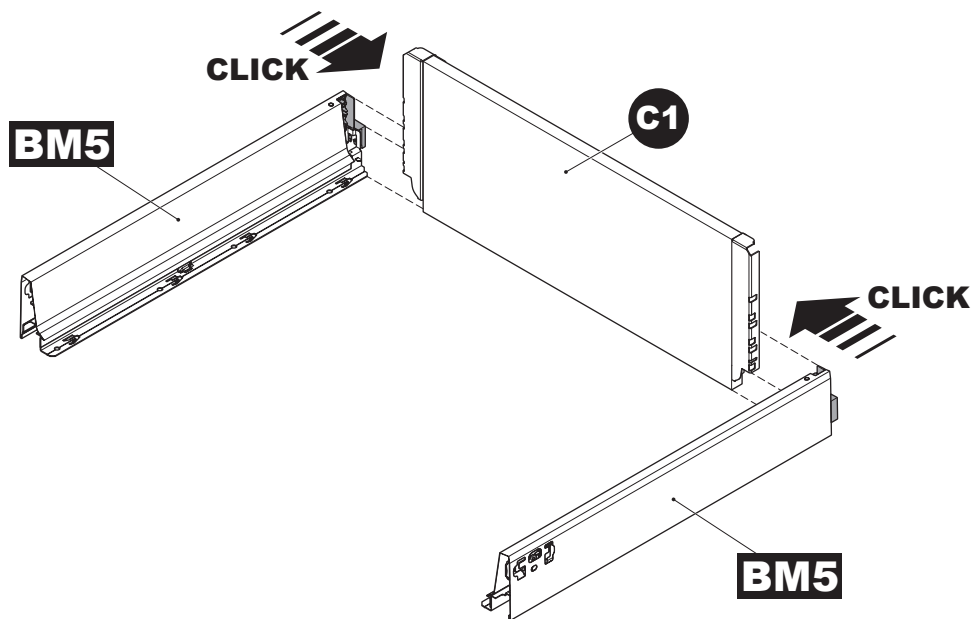




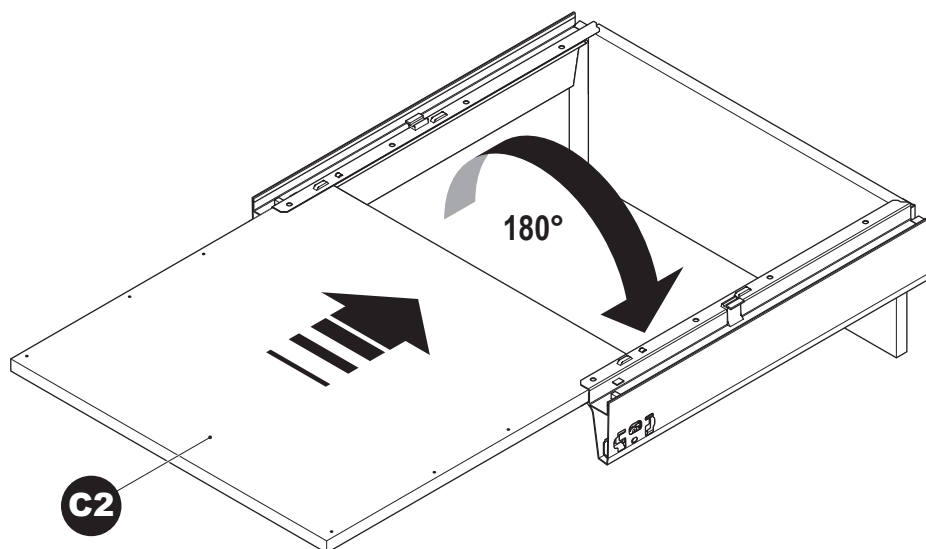
**1** **C**



**2** **C**

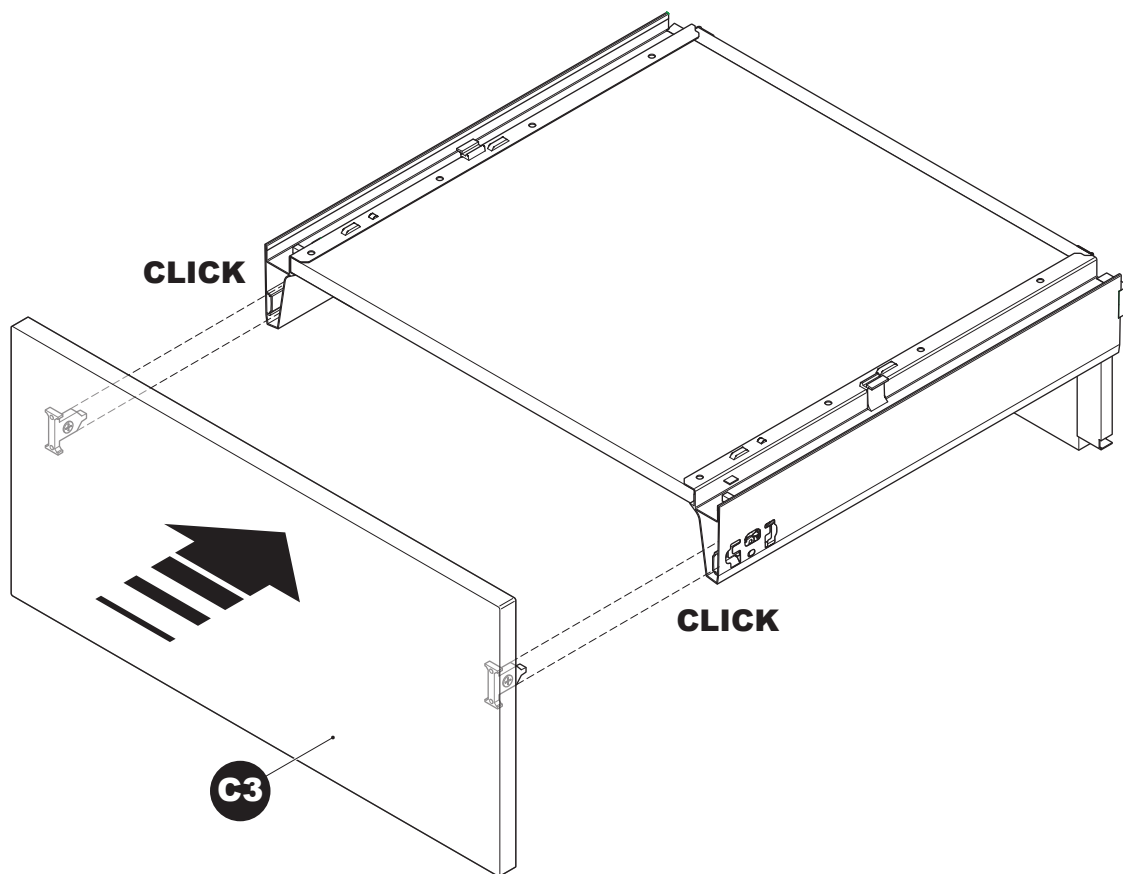


**3** **C**

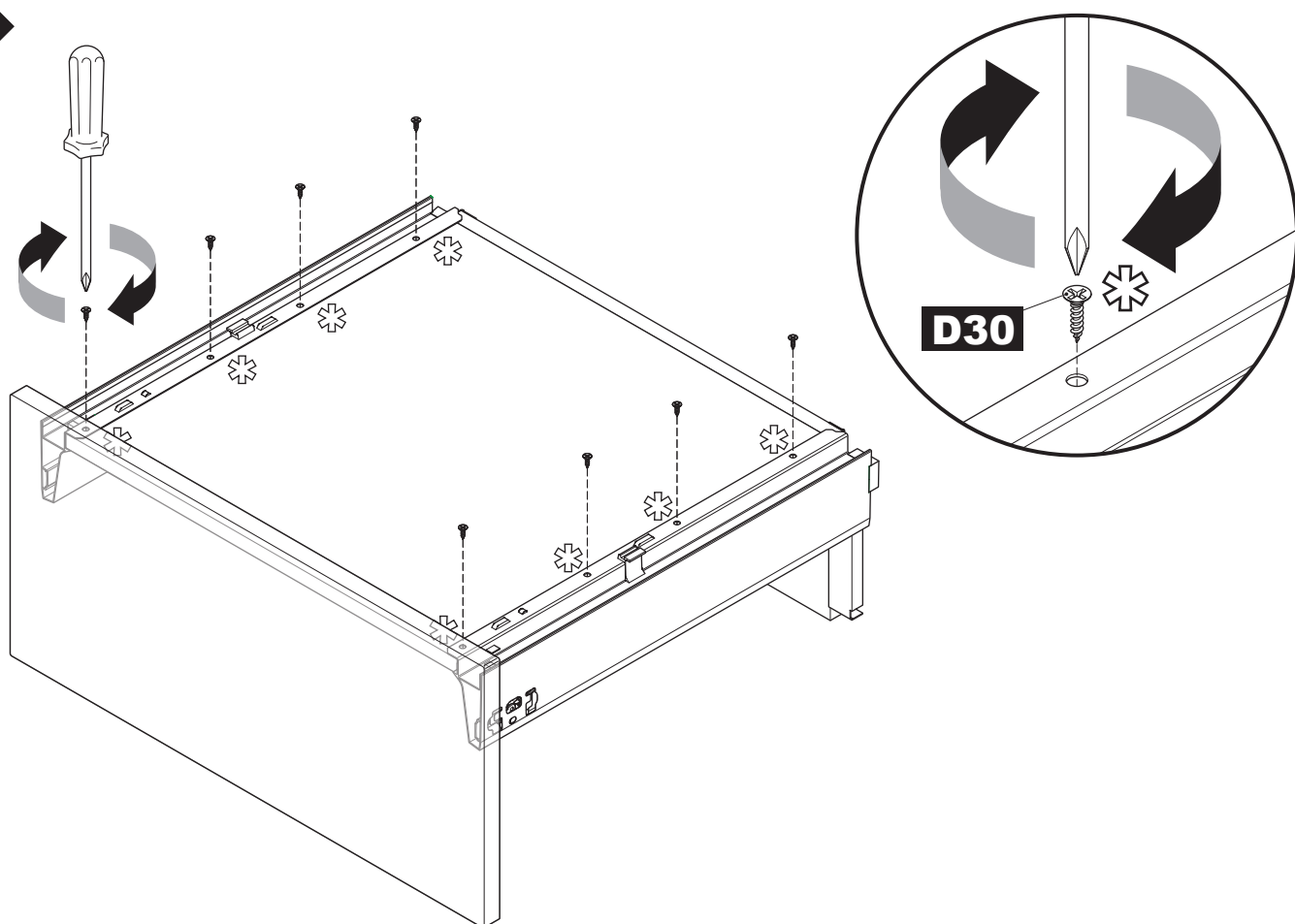




**4** **C**



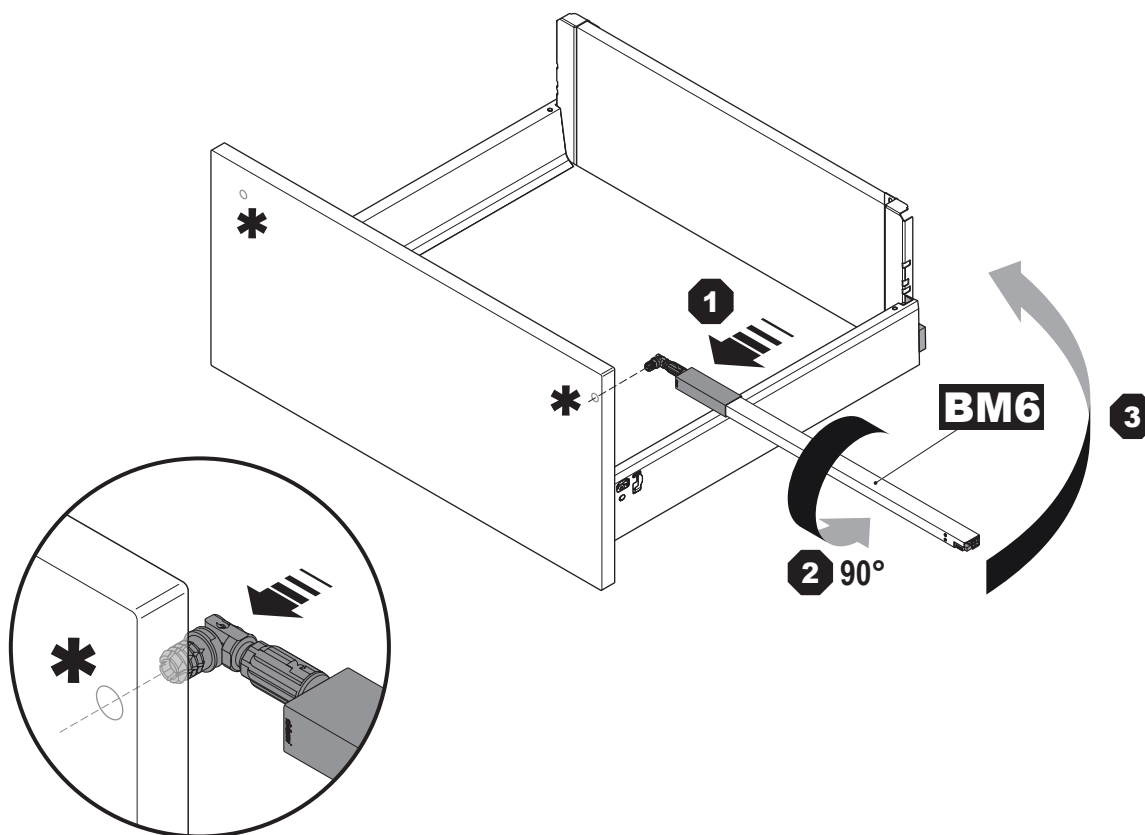
**5** **C**



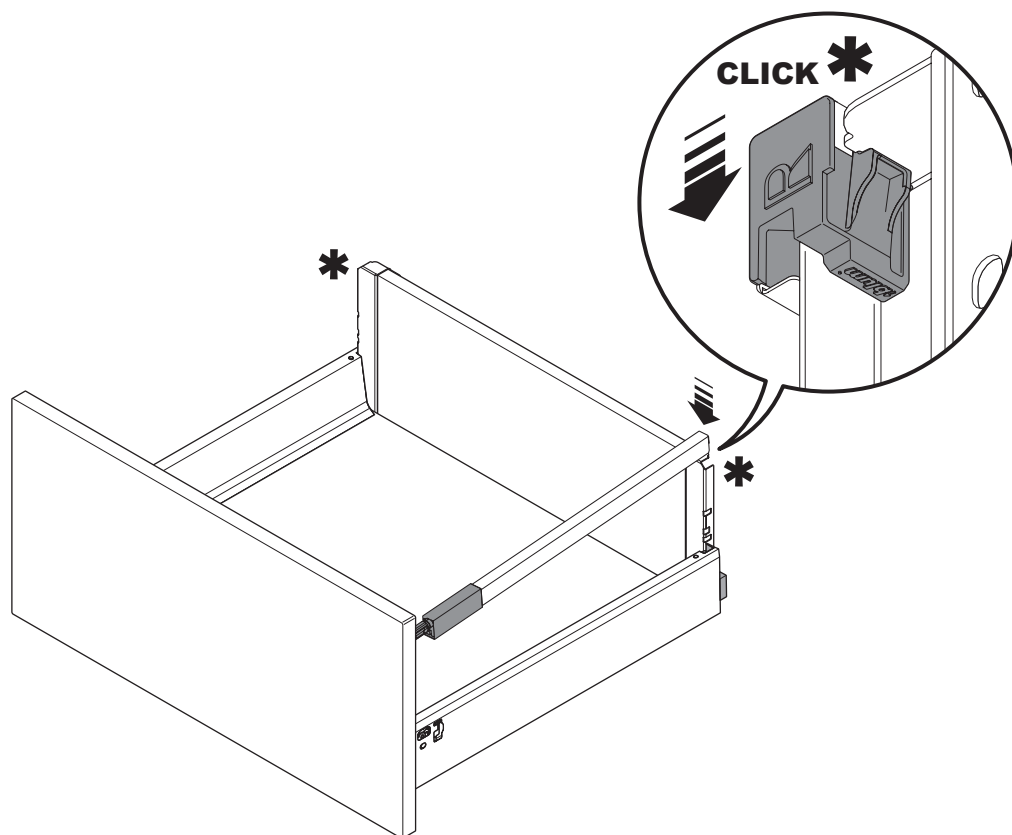




**6** **C**

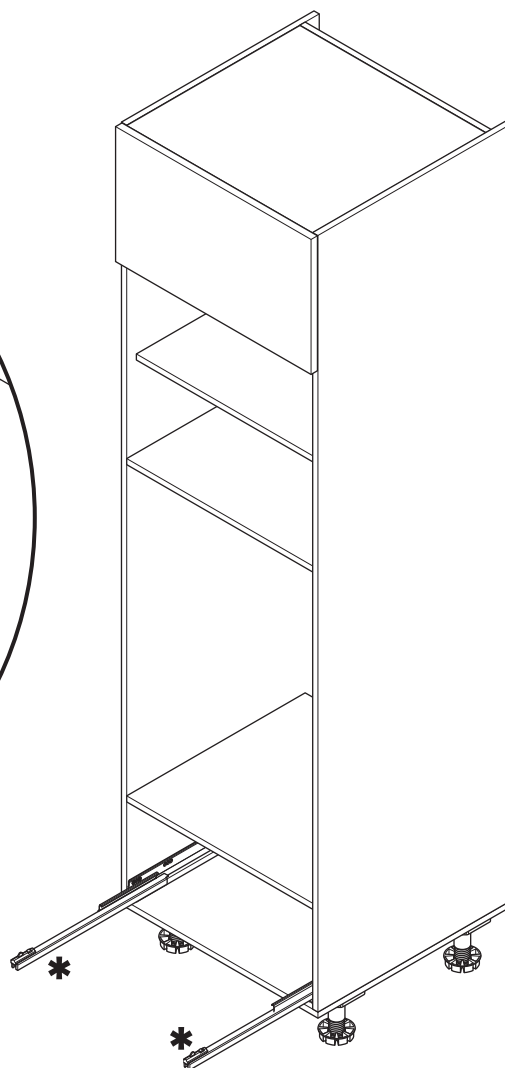
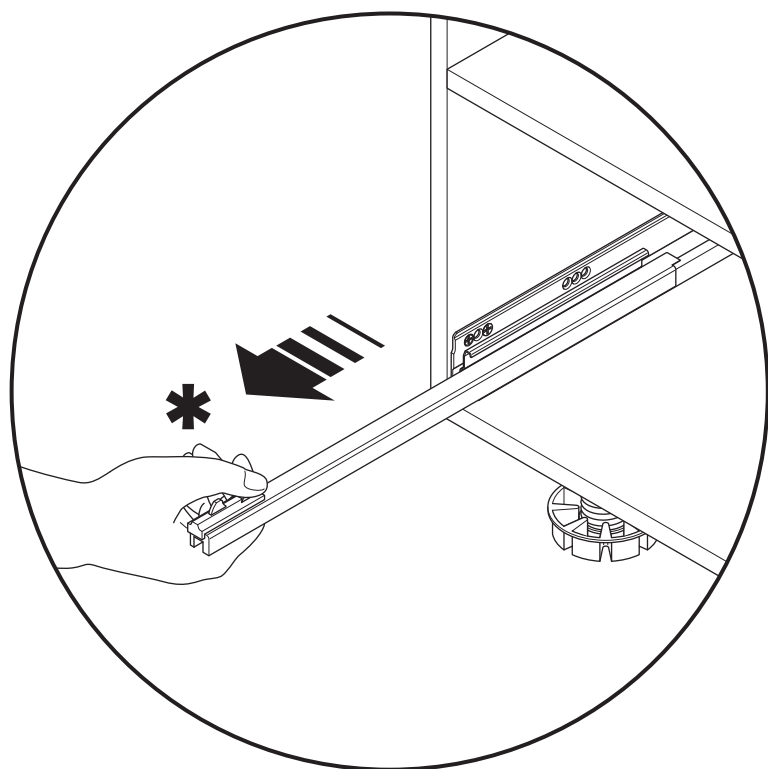


**7** **C**

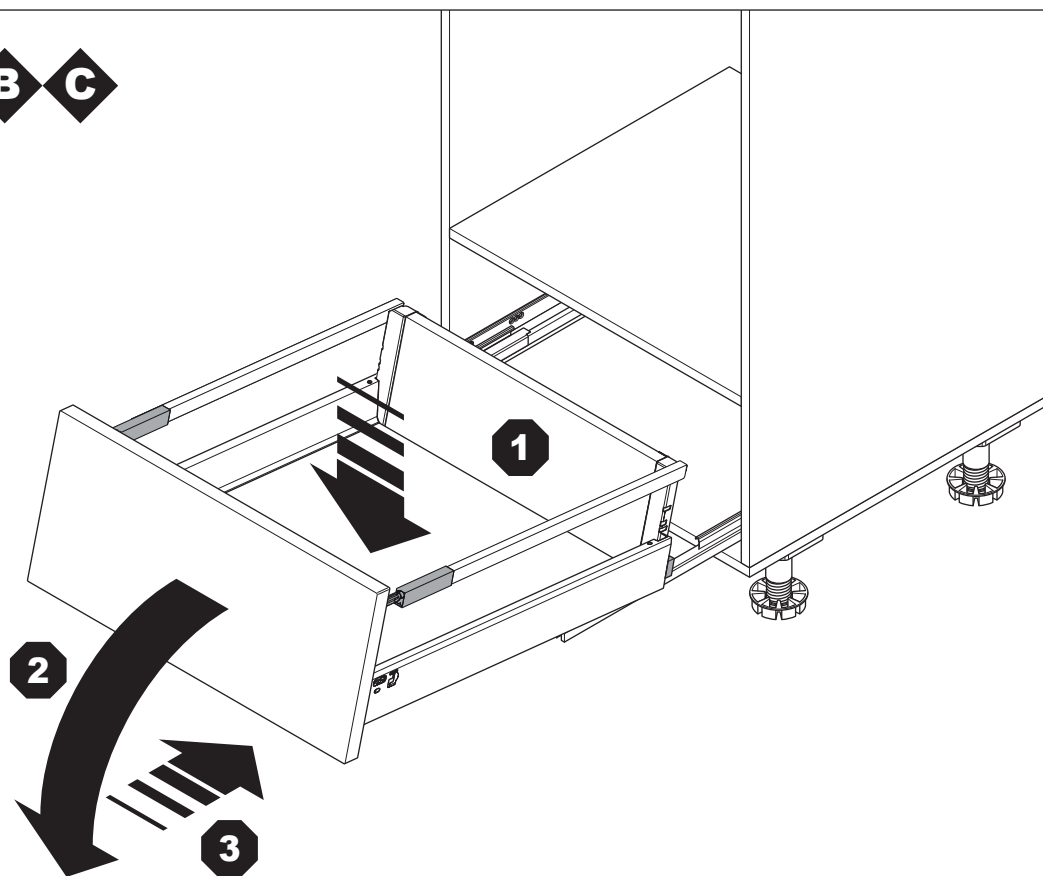




**1** **A** **B** **C**



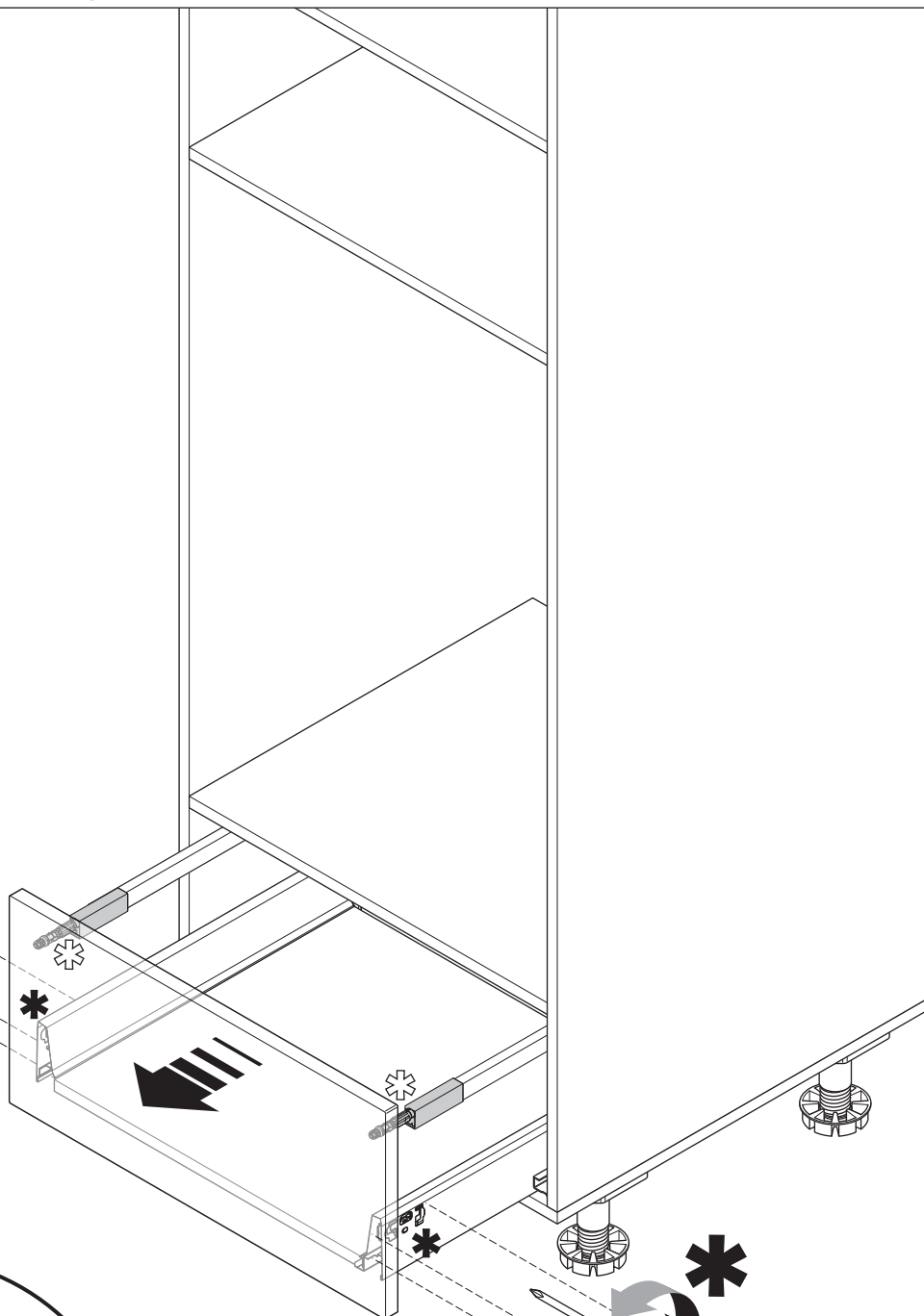
**2** **A** **B** **C**



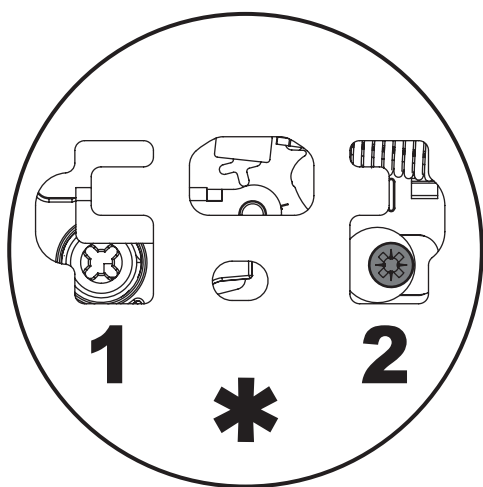


**3** **A** **B** **C**

**BM7**



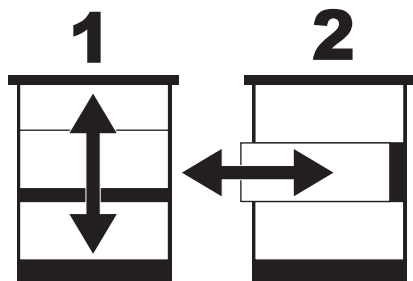
**BM7**



**1**

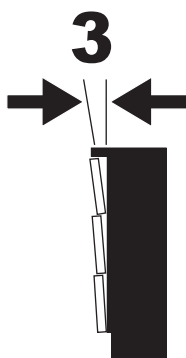
**2**

**\***

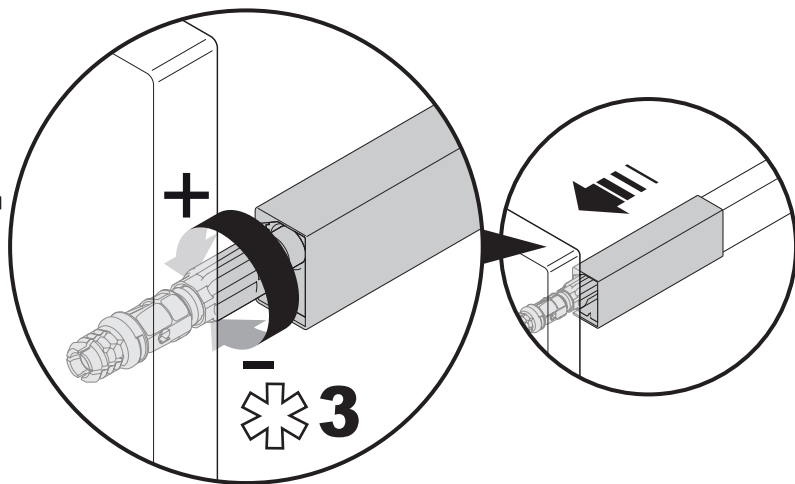


**1**

**2**



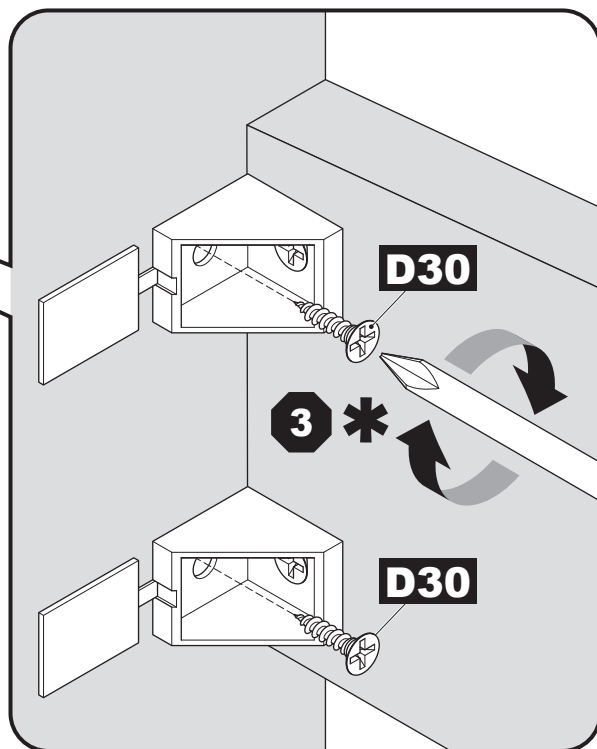
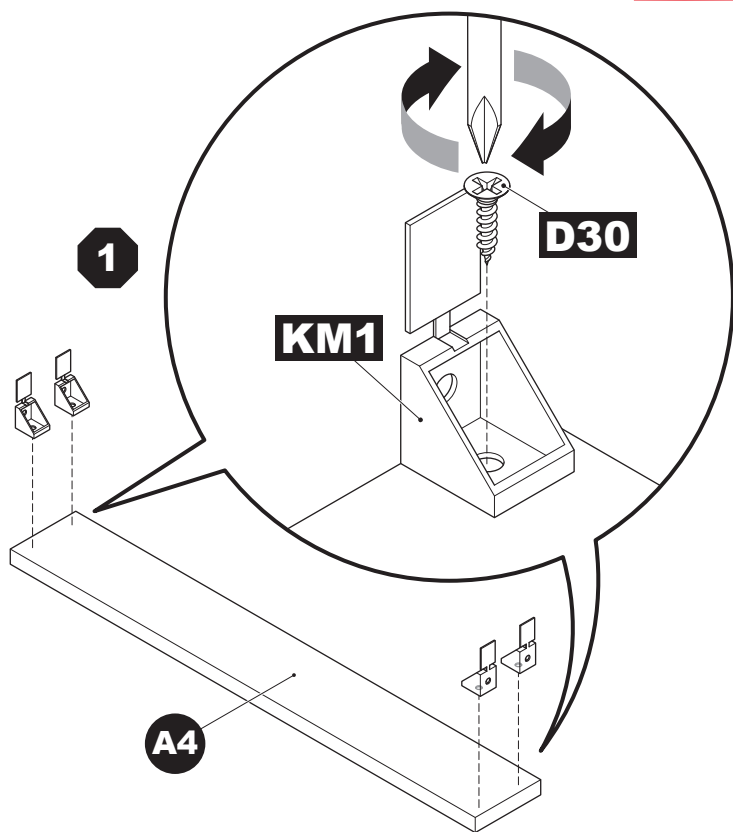
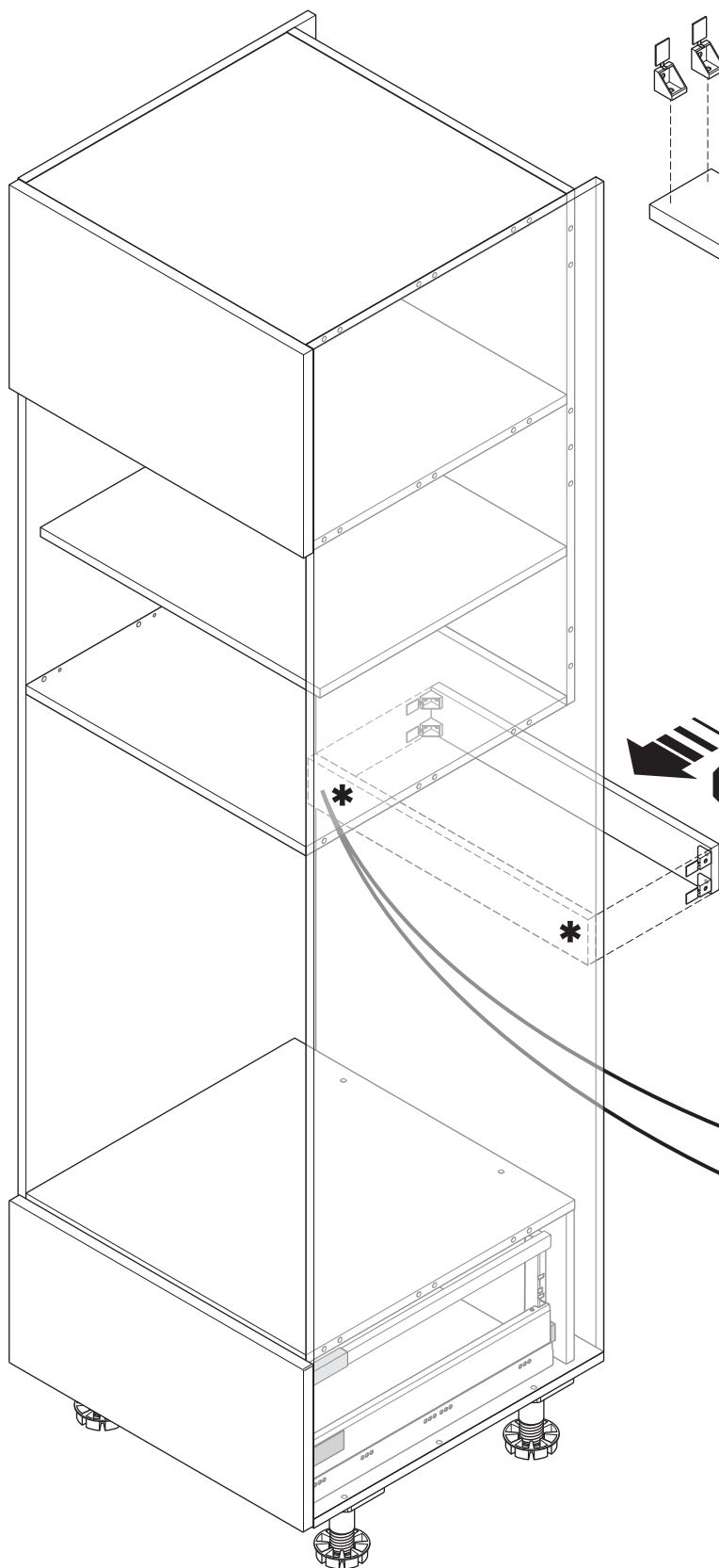
**3**



**\* 3**

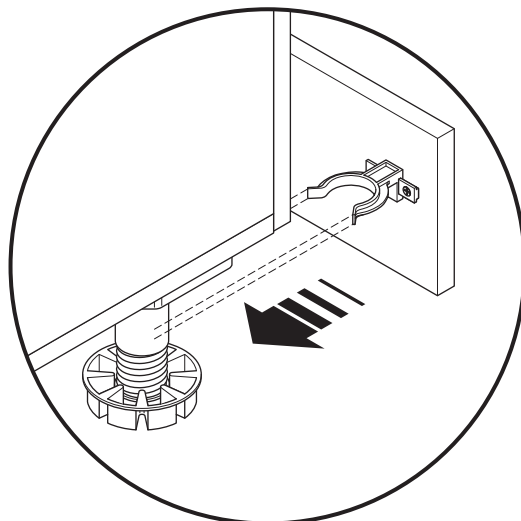
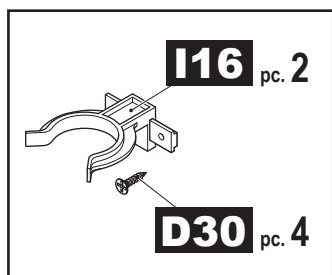
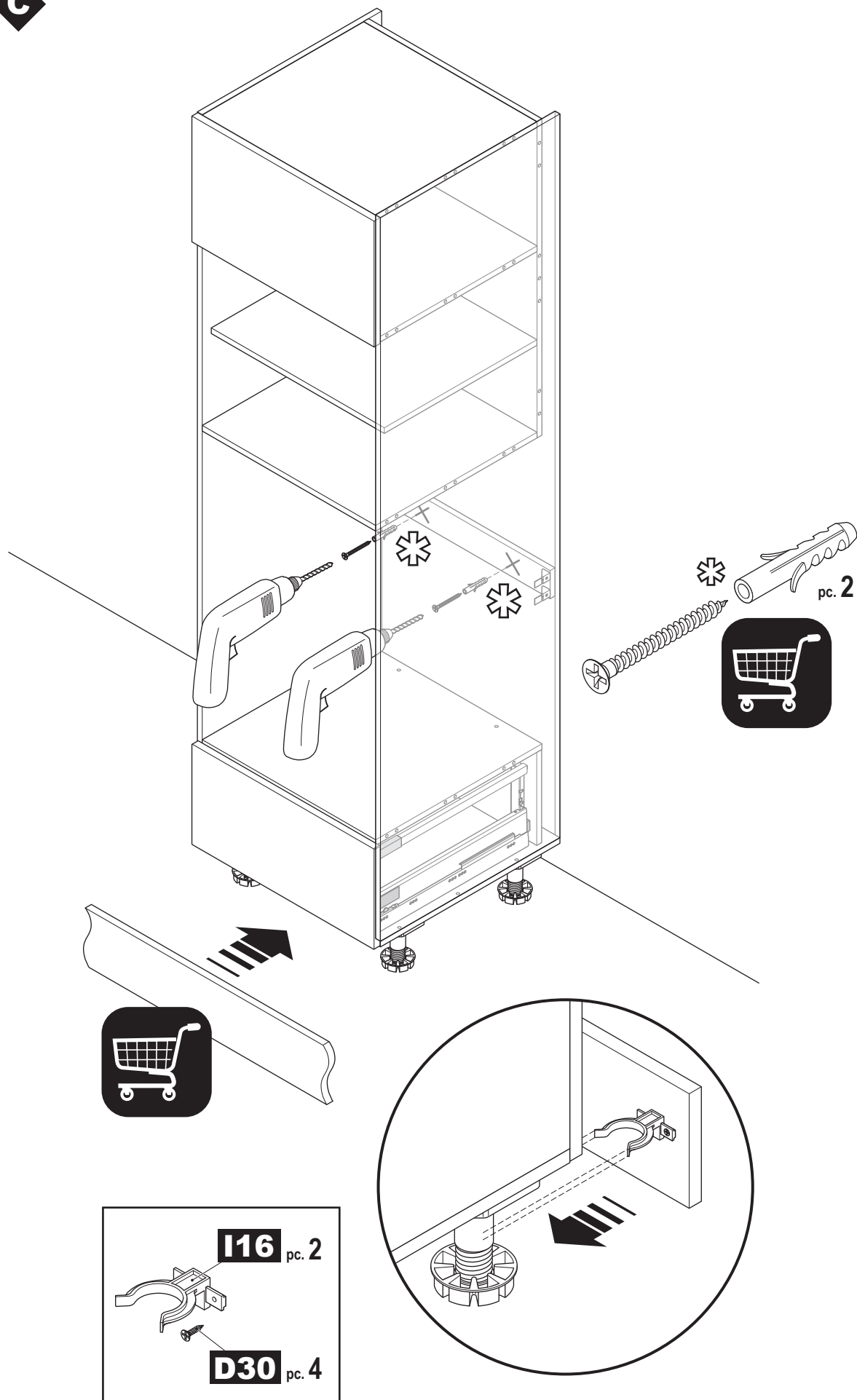


**4** **A** **B** **C**





**5** **A** **B** **C**





Kitchen Cabinets and Stones Limited