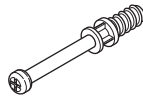
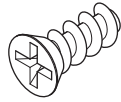
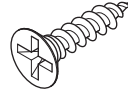
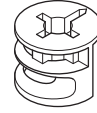
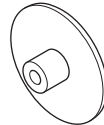
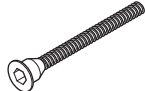
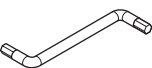
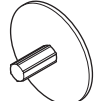
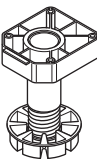
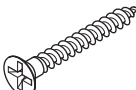


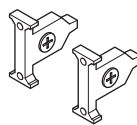
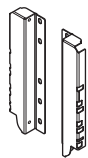


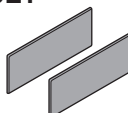
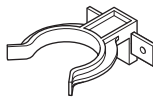
 <p>A1 pc. 10</p>	 <p>B4 pc. 6</p>	 <p>D8 pc. 6</p>	 <p>D30 pc. 28</p>	 <p>B5 pc. 6</p>	 <p>G5 pc. 6</p>	 <p>B11 pc. 6</p>
 <p>G2 pc. 1</p>	 <p>G4 pc. 6</p>	 <p>I15 pc. 4</p>	 <p>D27 pc. 16</p>	 <p>D18 pc. 4</p>	 <p>BM1 pc. 1</p>	 <p>BM2 pc. 1</p>
 <p>BM4 pc. 1</p>	 <p>BM5 pc. 1</p>	 <p>BM6 pc. 1</p>	 <p>BM7 pc. 1</p>	 <p>I16 pc. 2</p>		

Symbology



Phases of assembly



Reference to the detail



Elements



Screw to fix



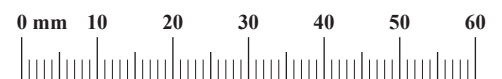
Hardware and tools

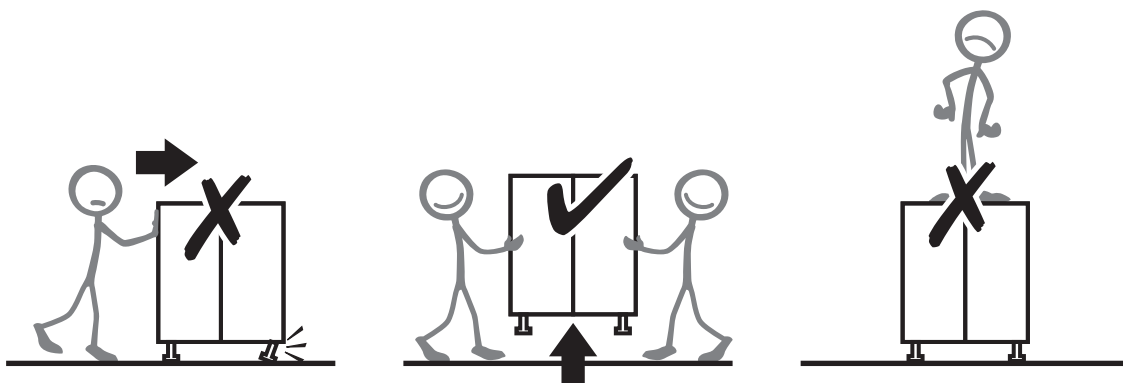
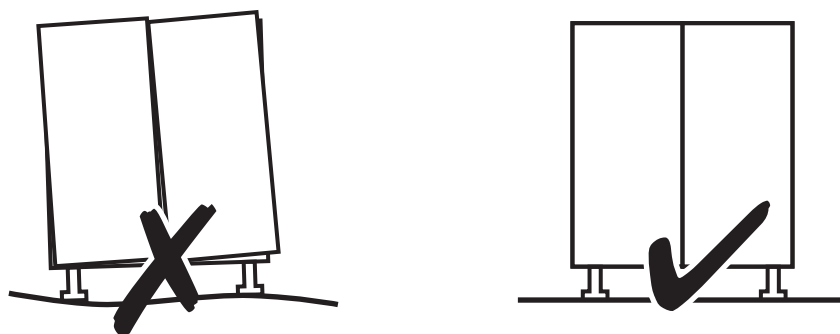
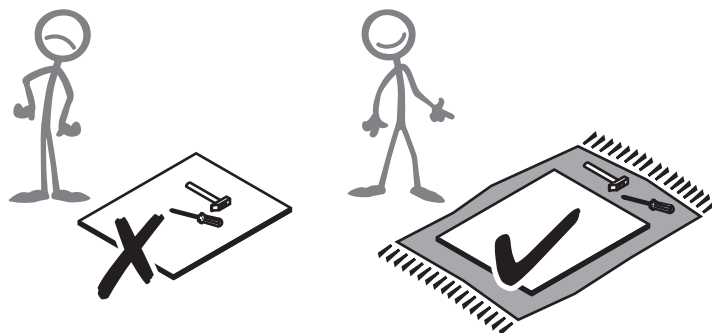
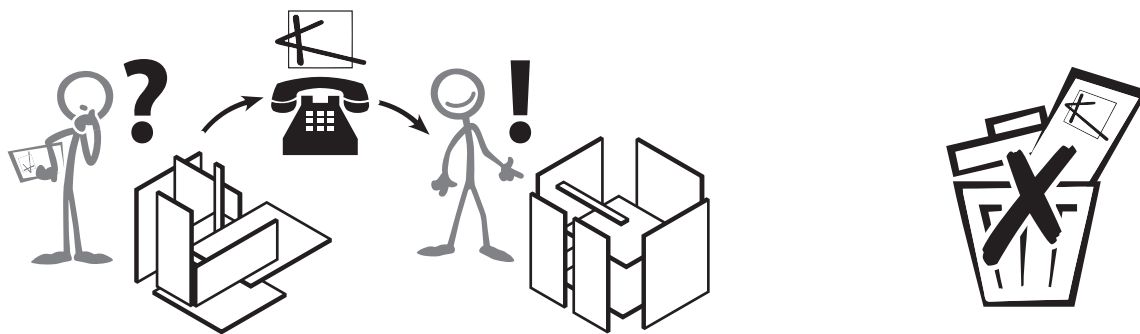


Movement direction



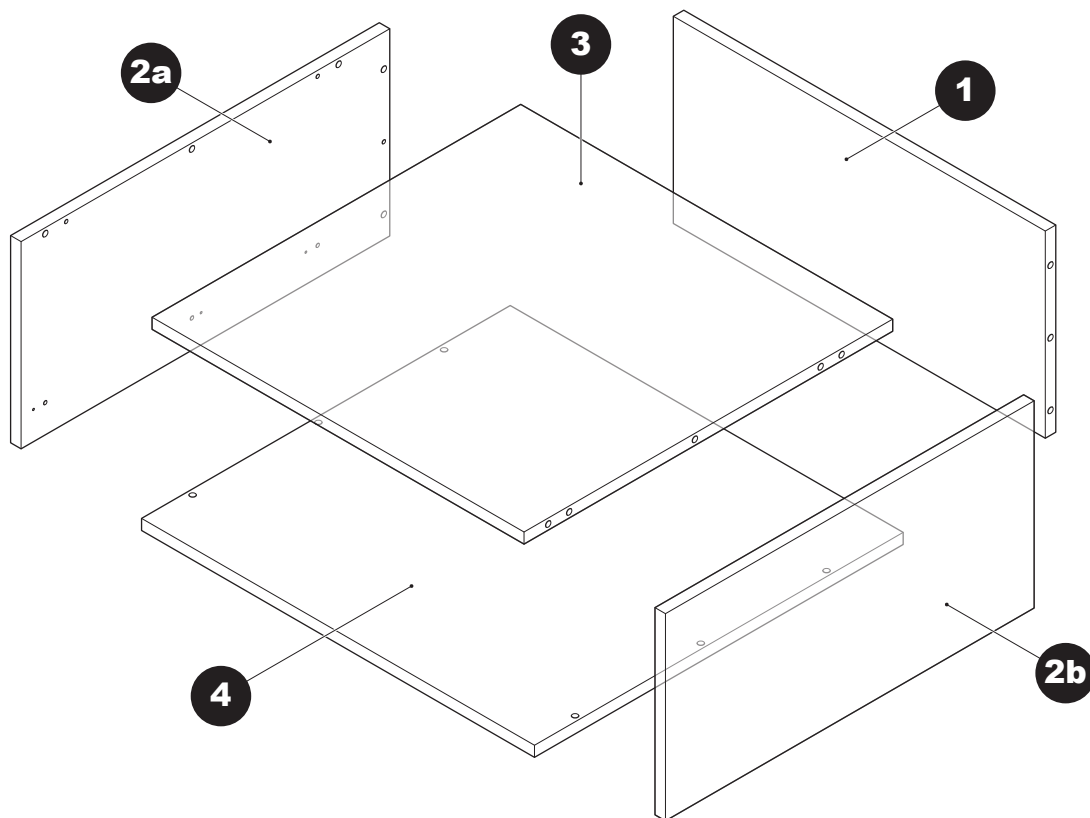
40 min



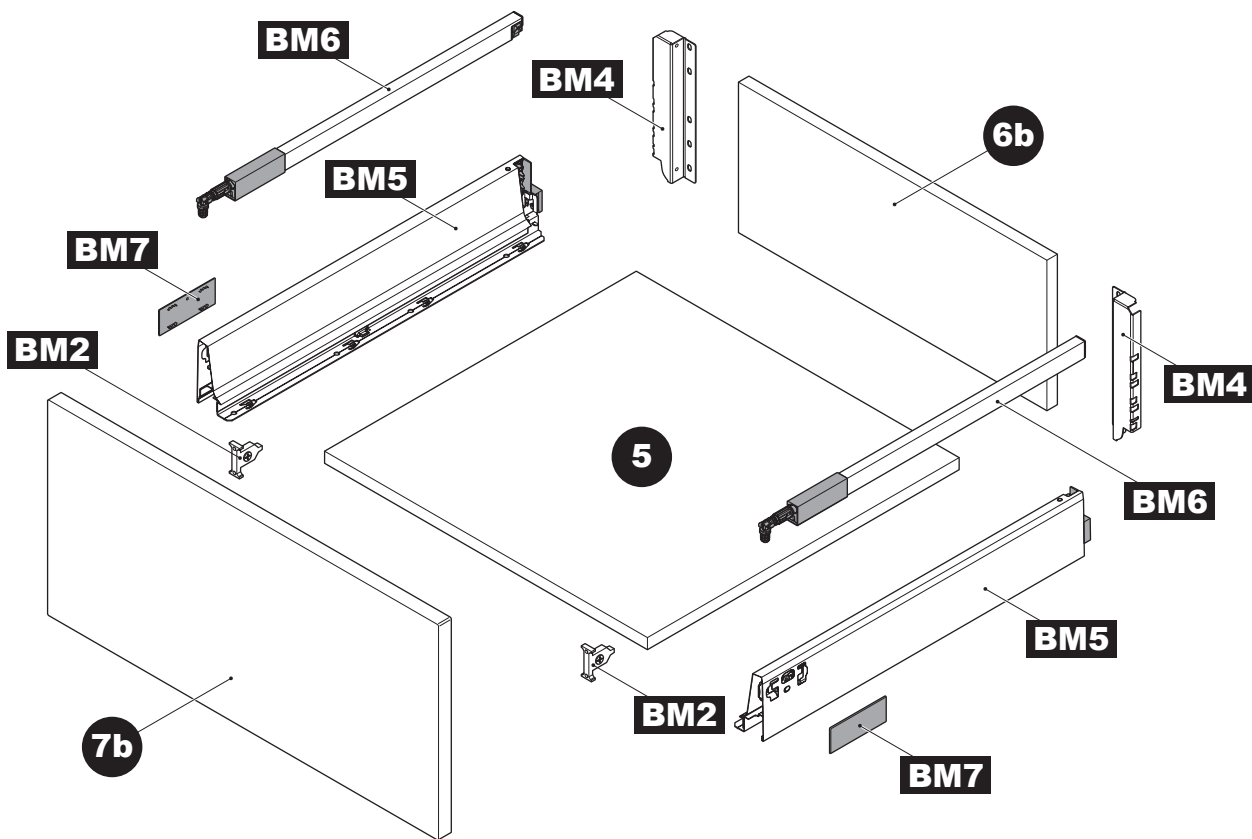




F1

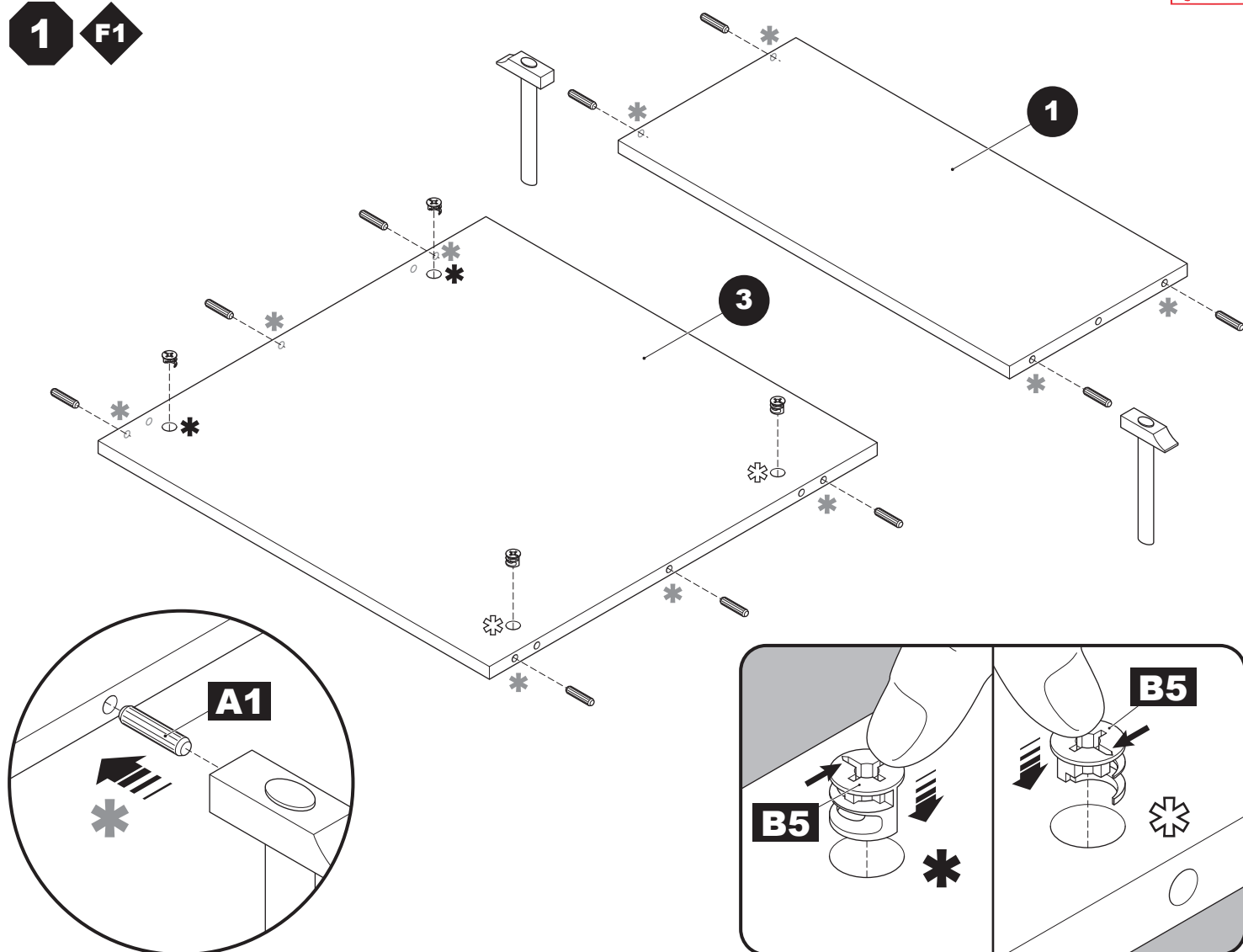


F2

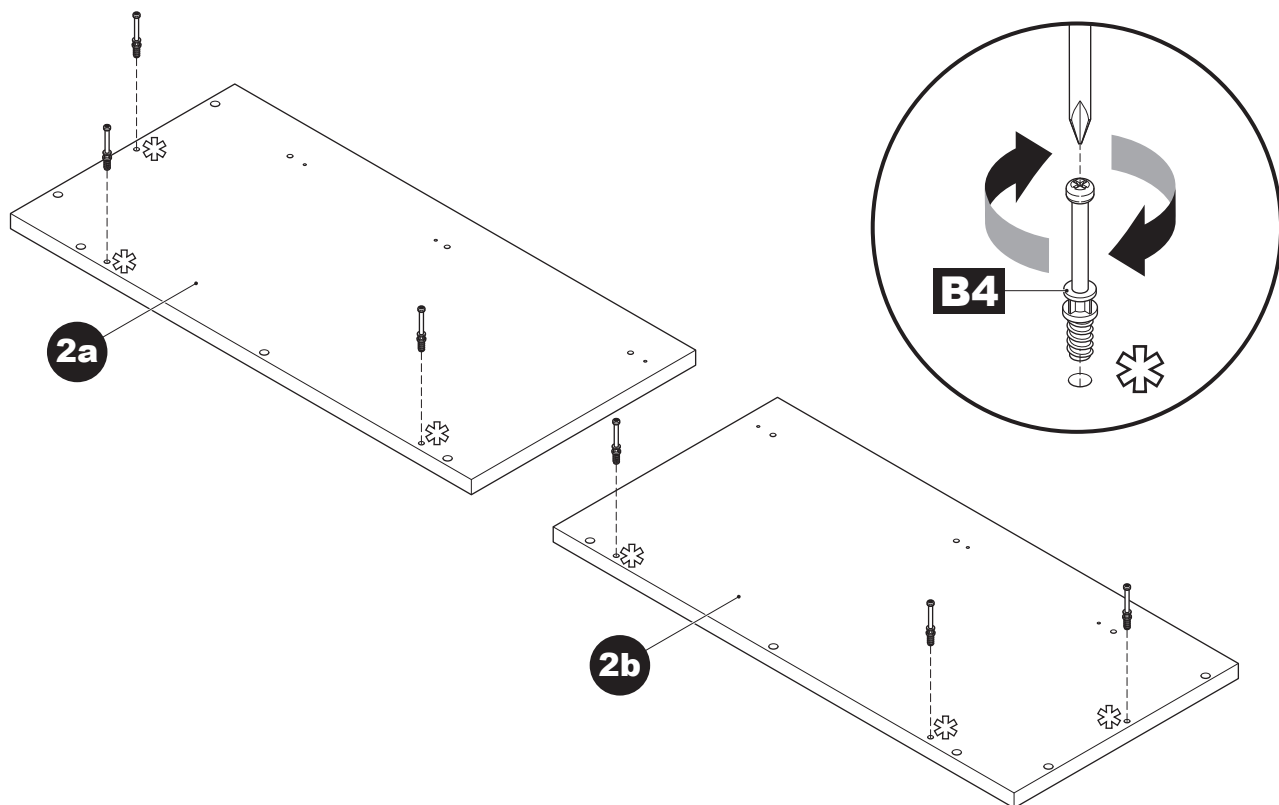




1 **F1**



2 **F1**





3 **F1**

BM1

D30

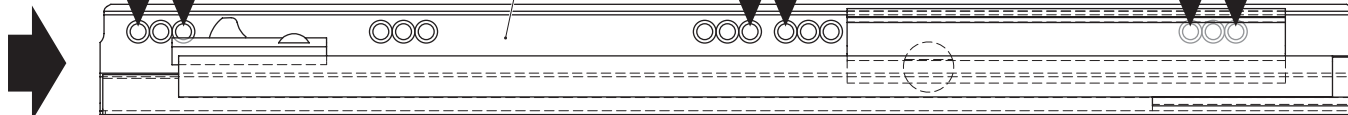
D8

D8

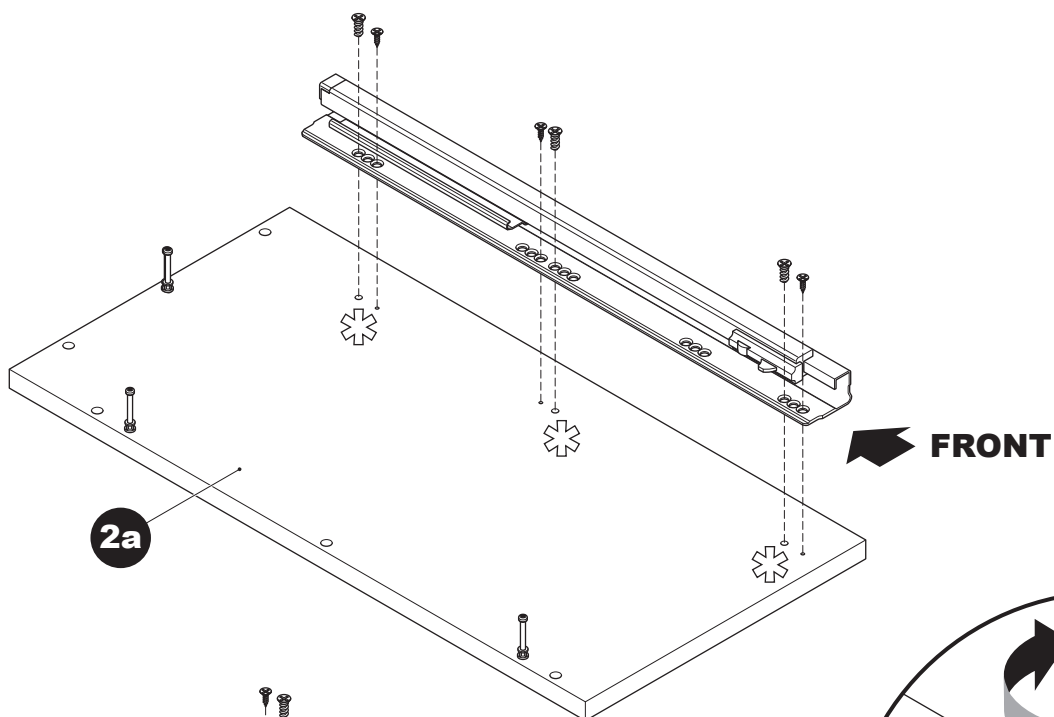
D30

D30

D8

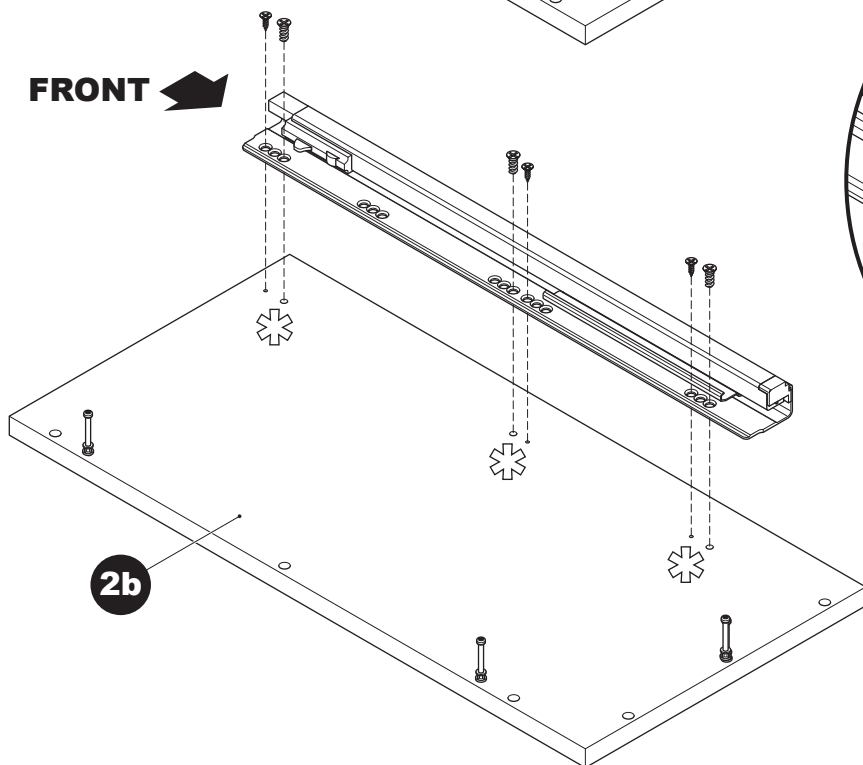


FRONT



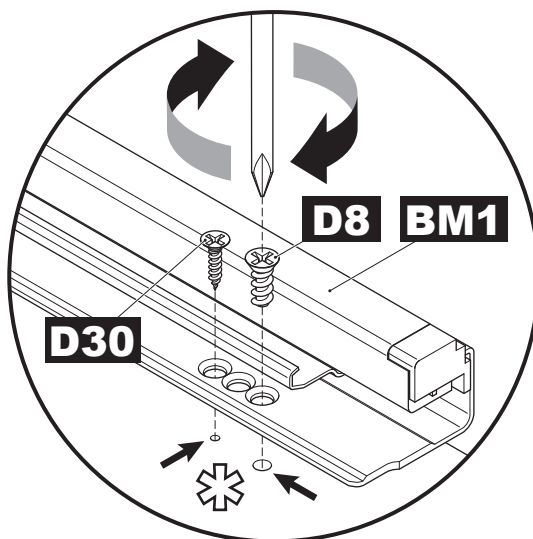
2a

FRONT



2b

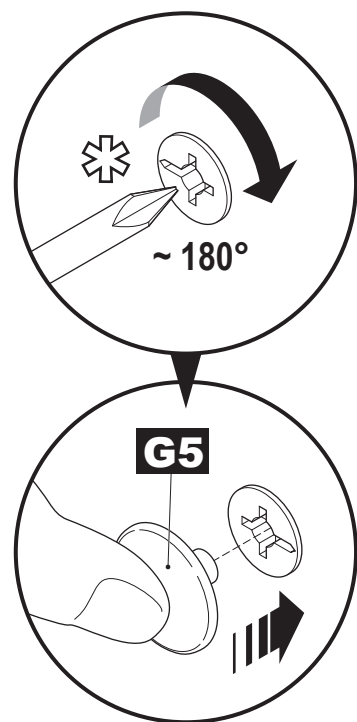
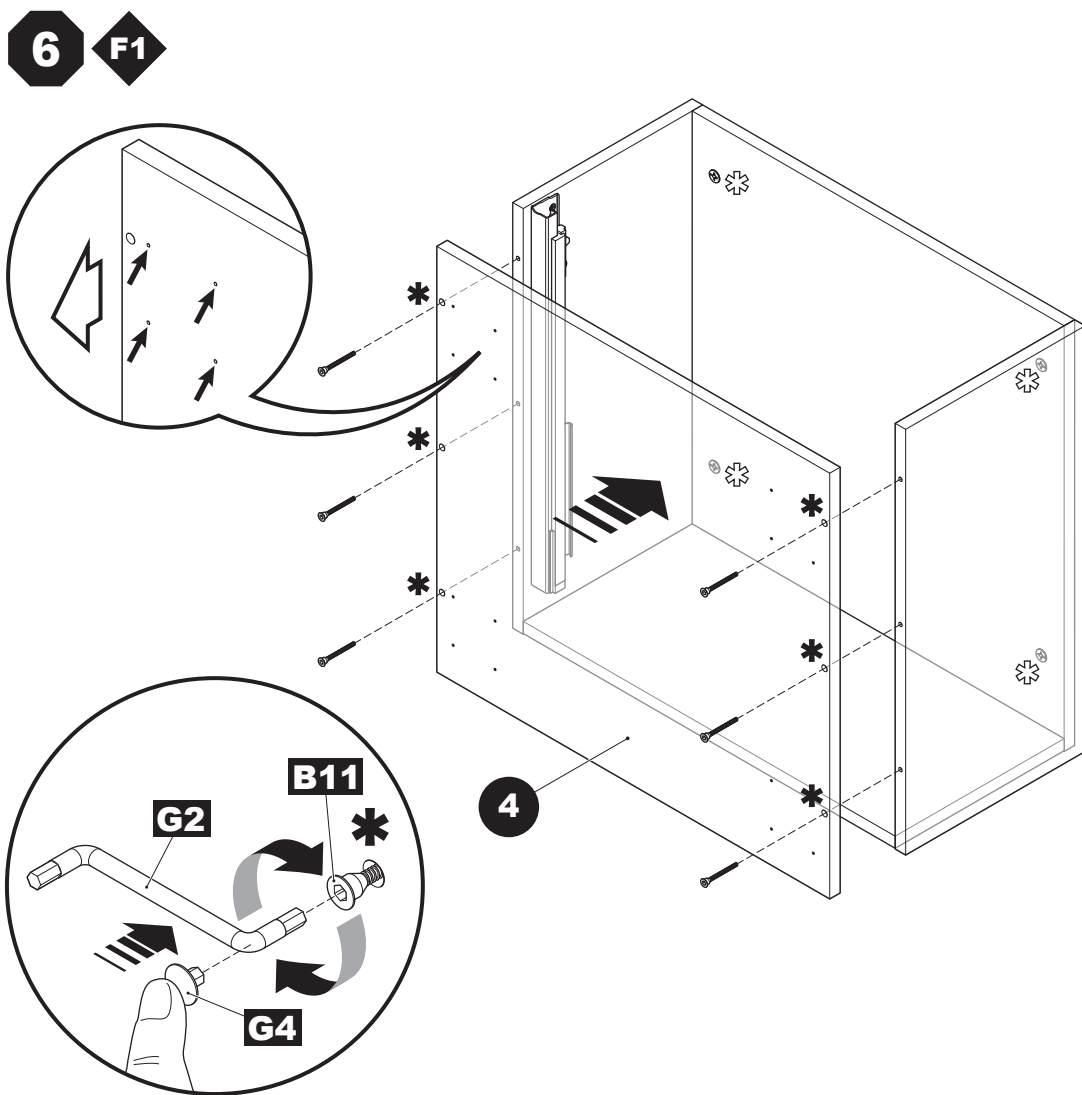
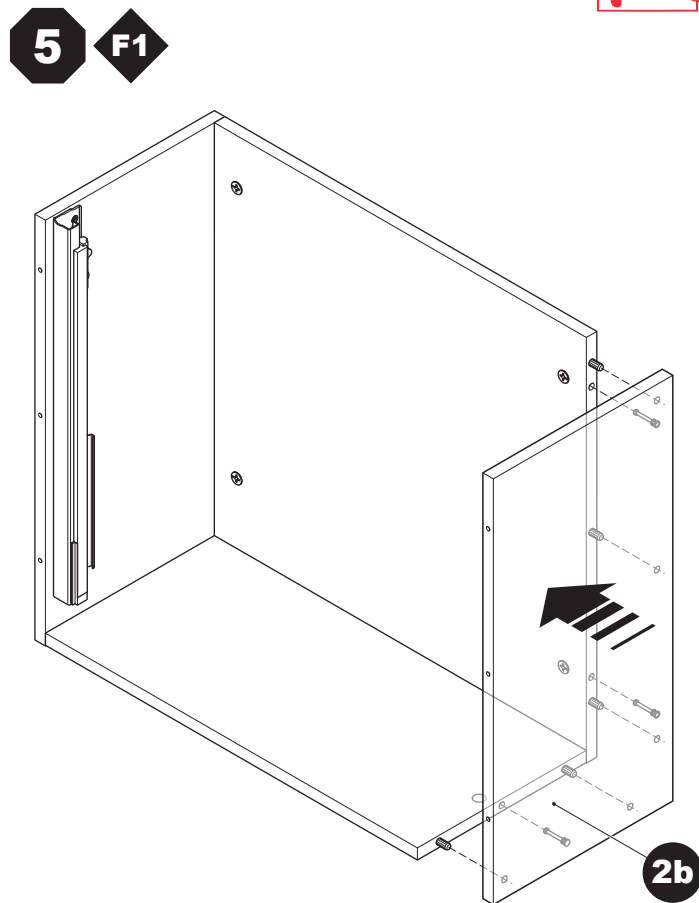
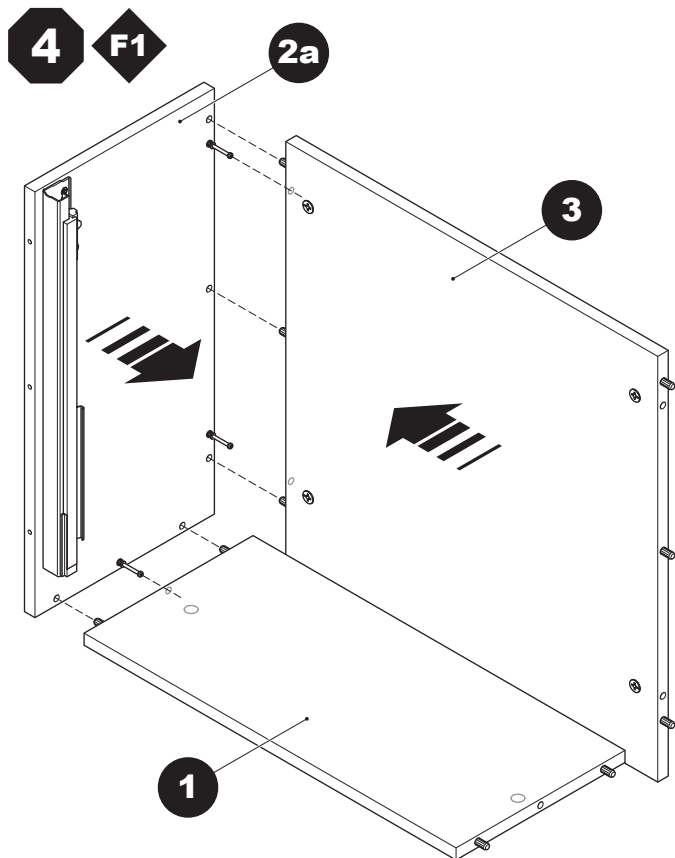
FRONT



D8

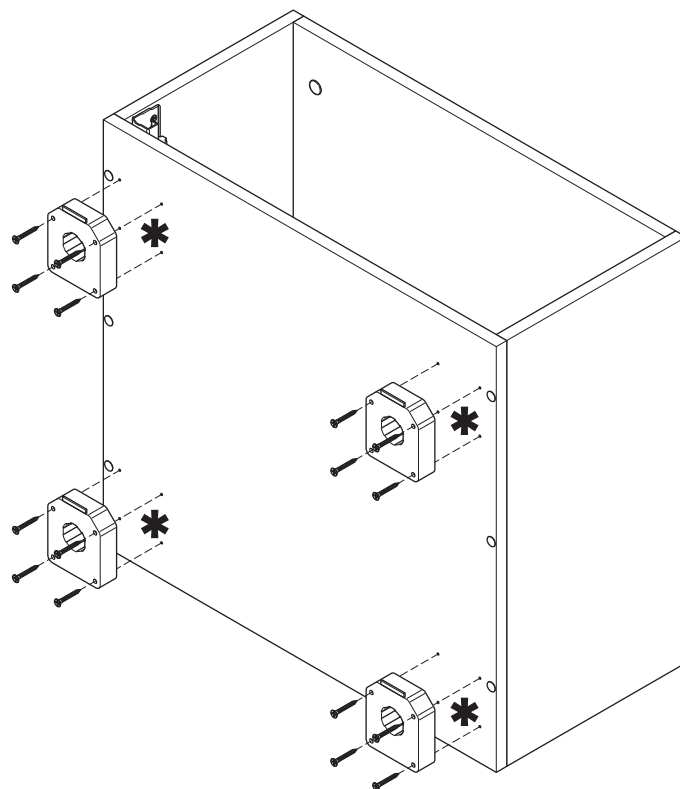
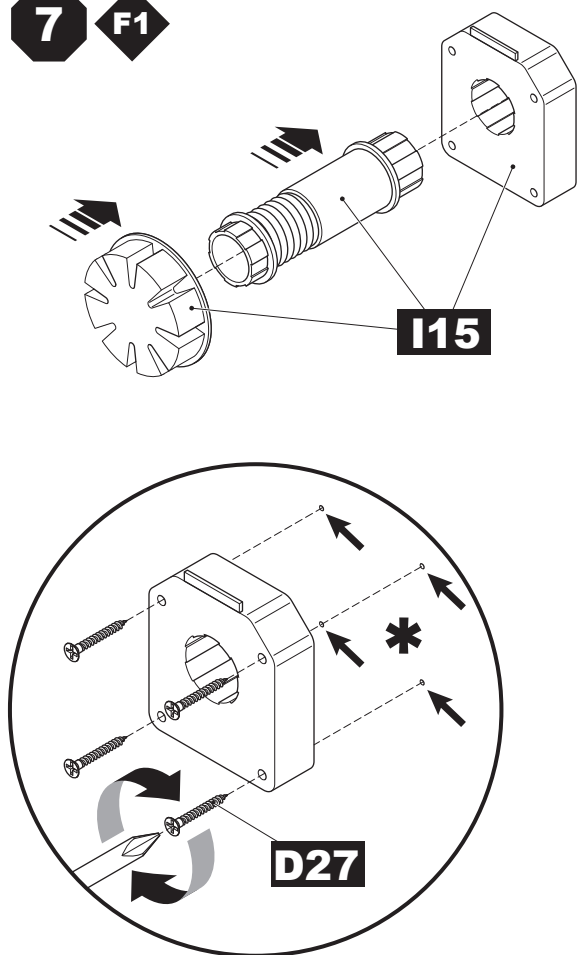
BM1

D30

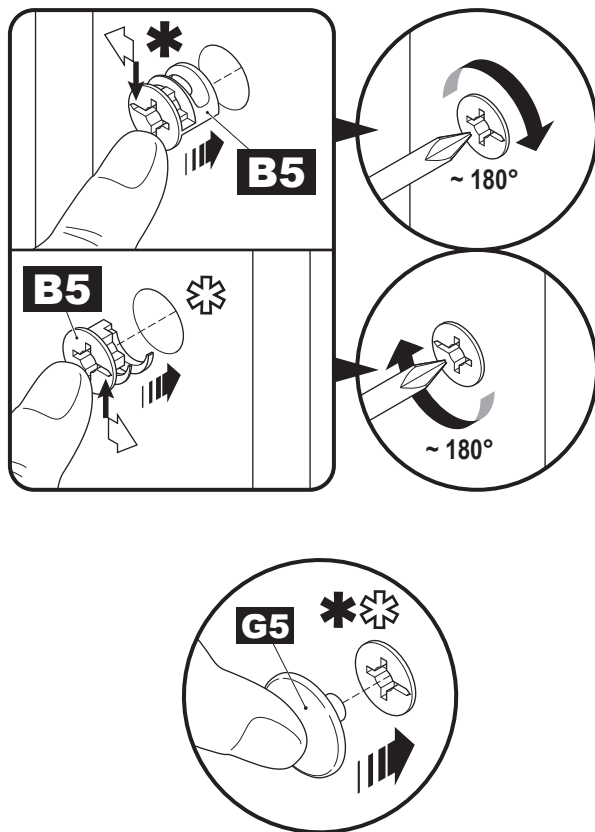
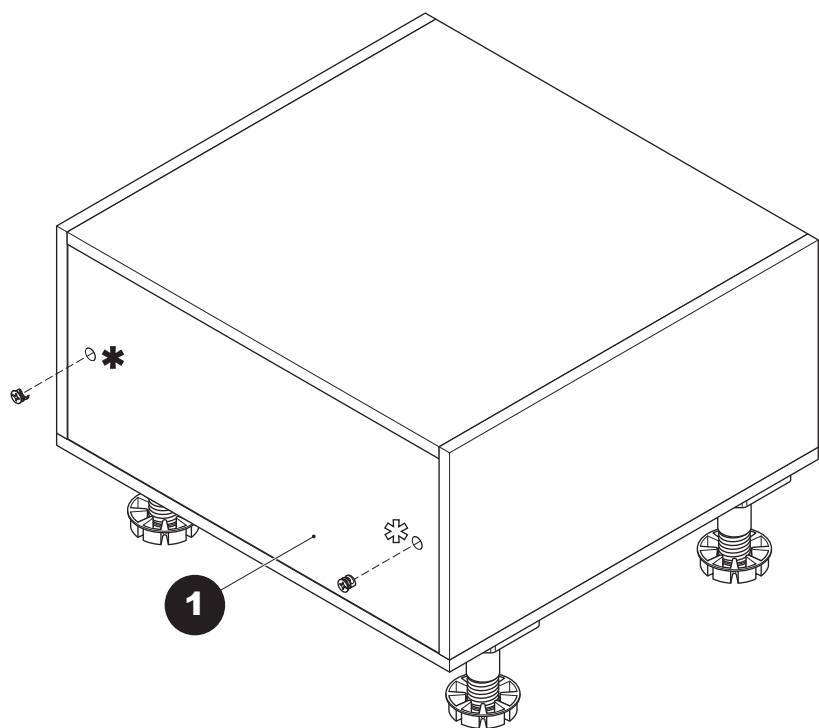




7 **F1**

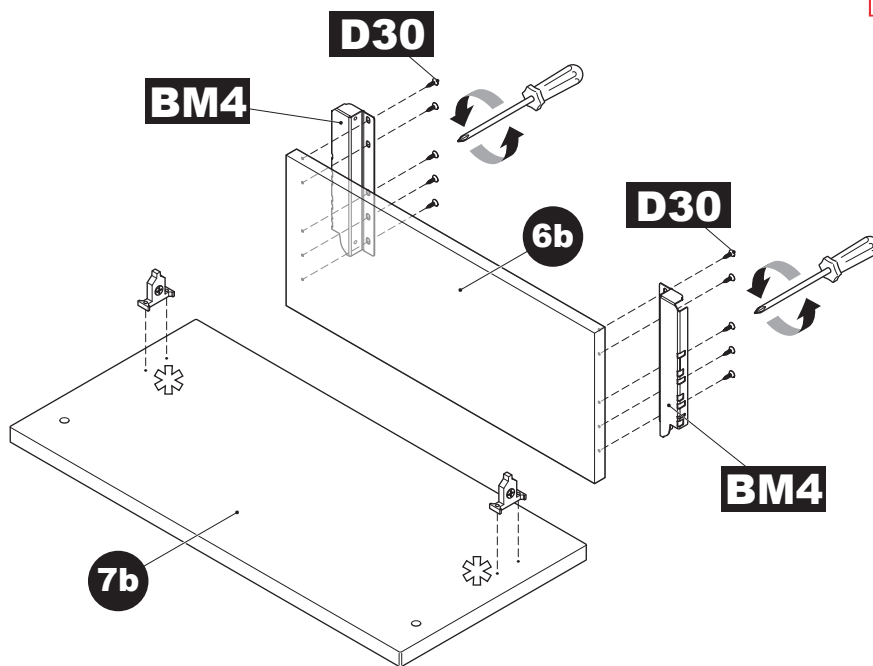
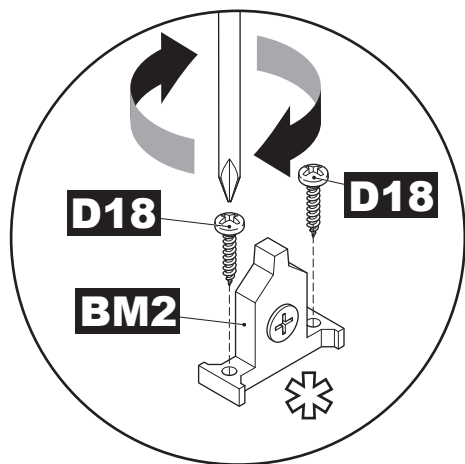


8 **F1**

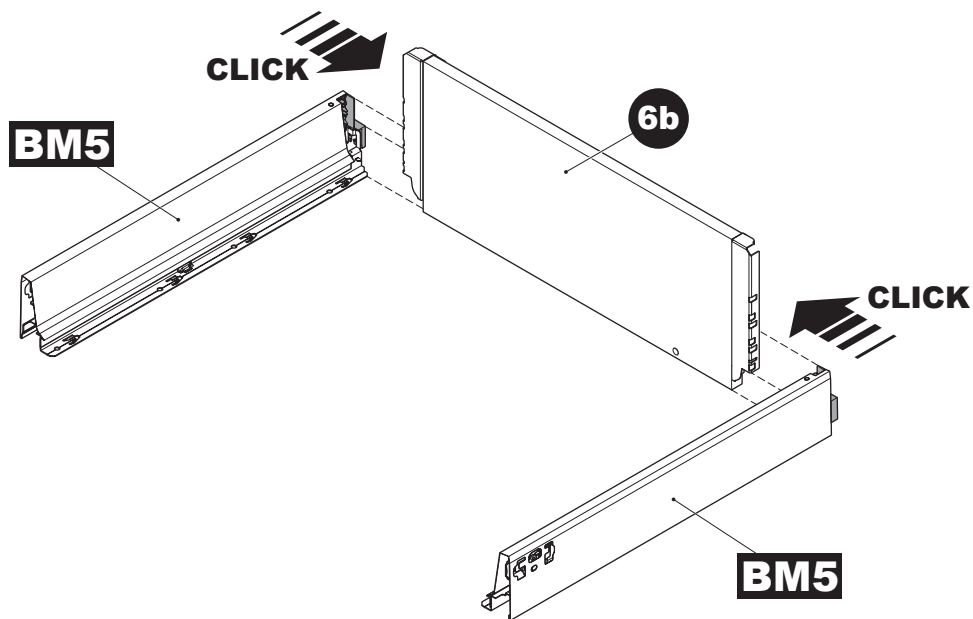




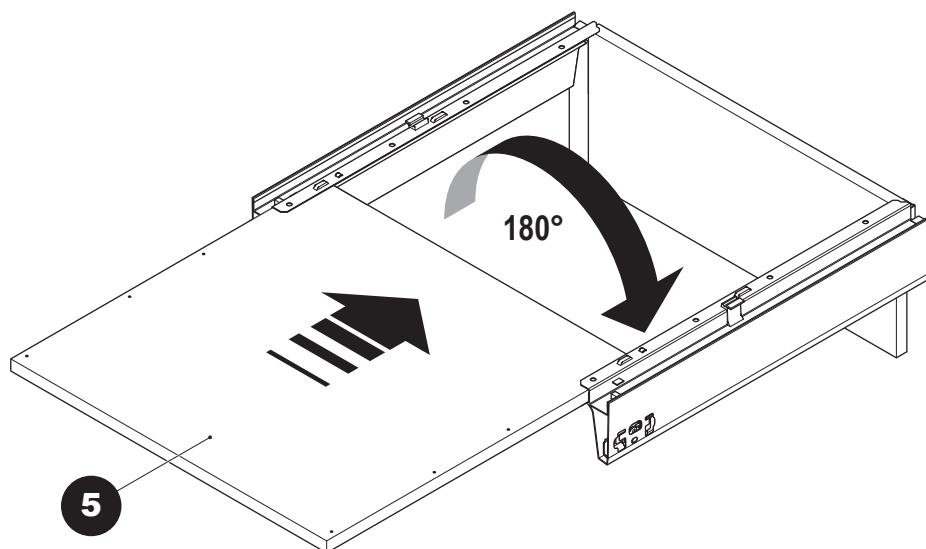
1 **F2**



2 **F2**

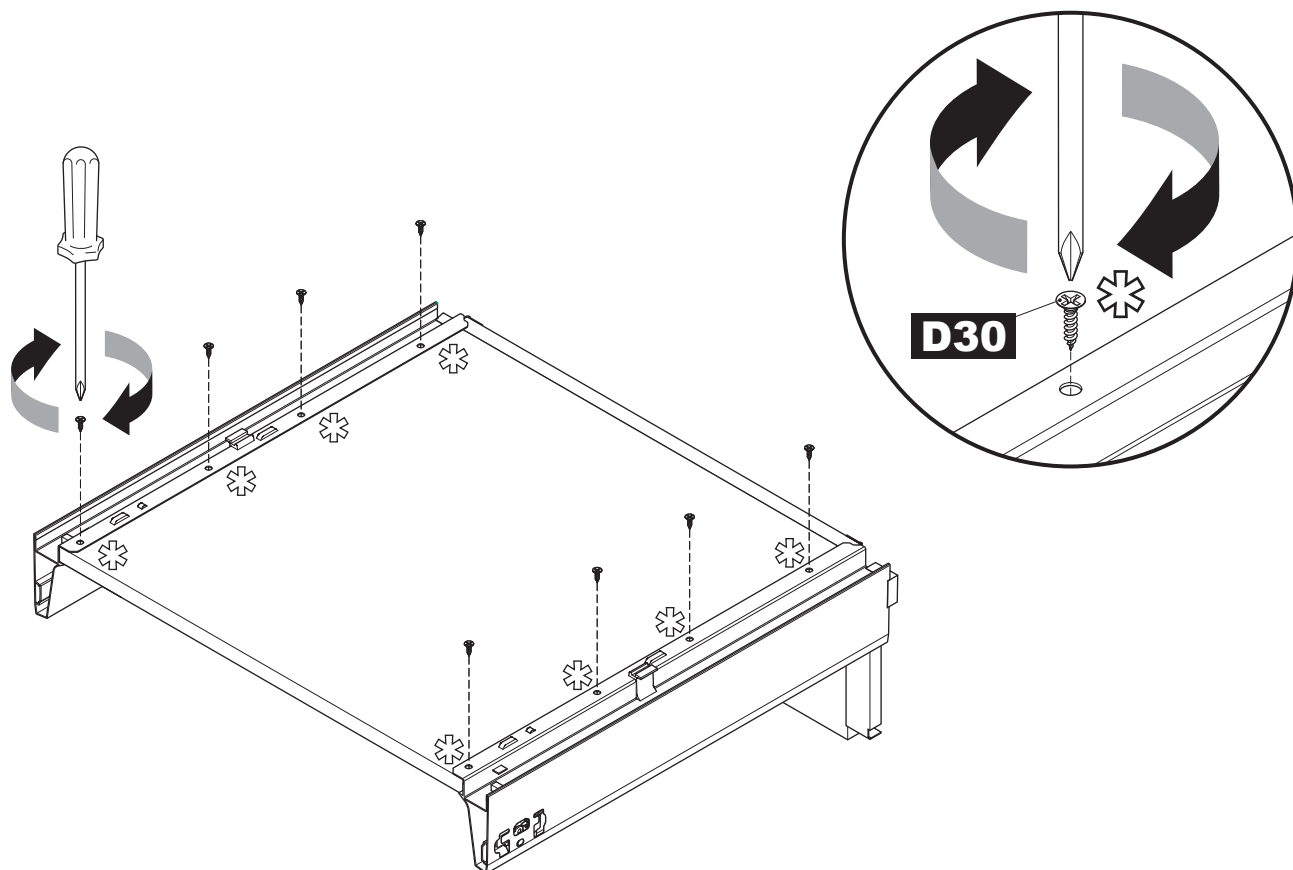


3 **F2**

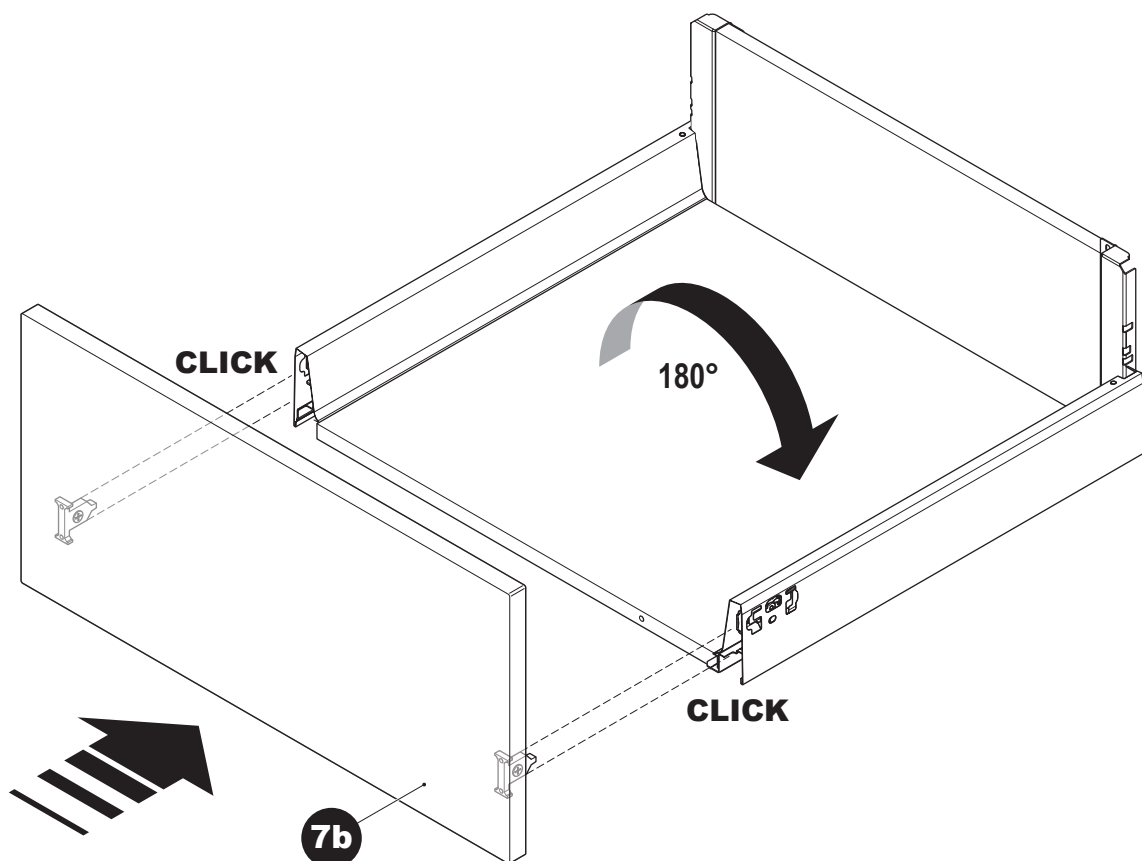




4 F2

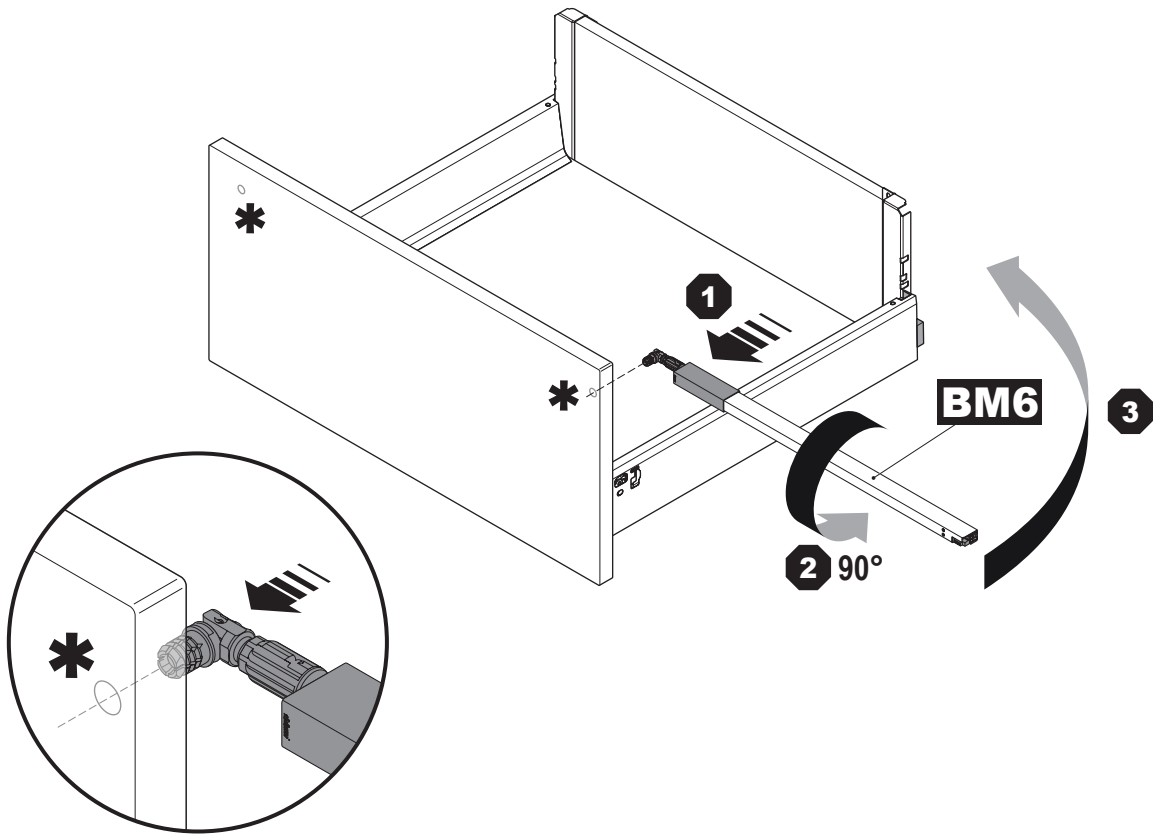


5 F2

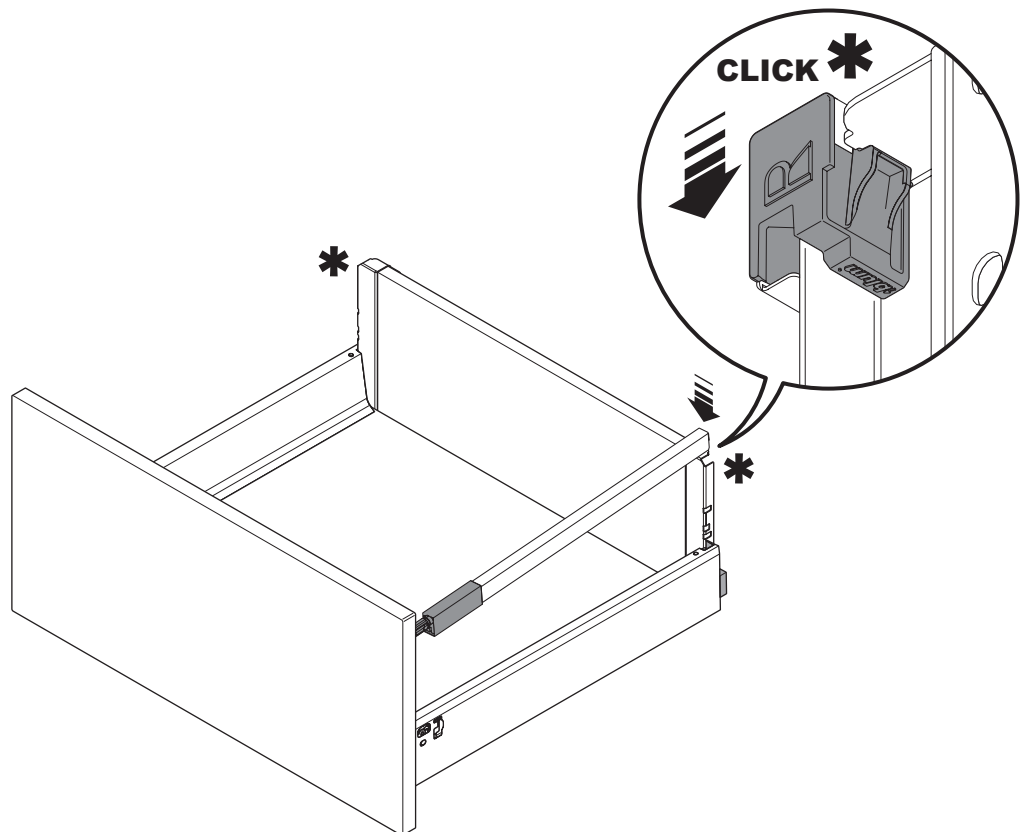




6 **F2**

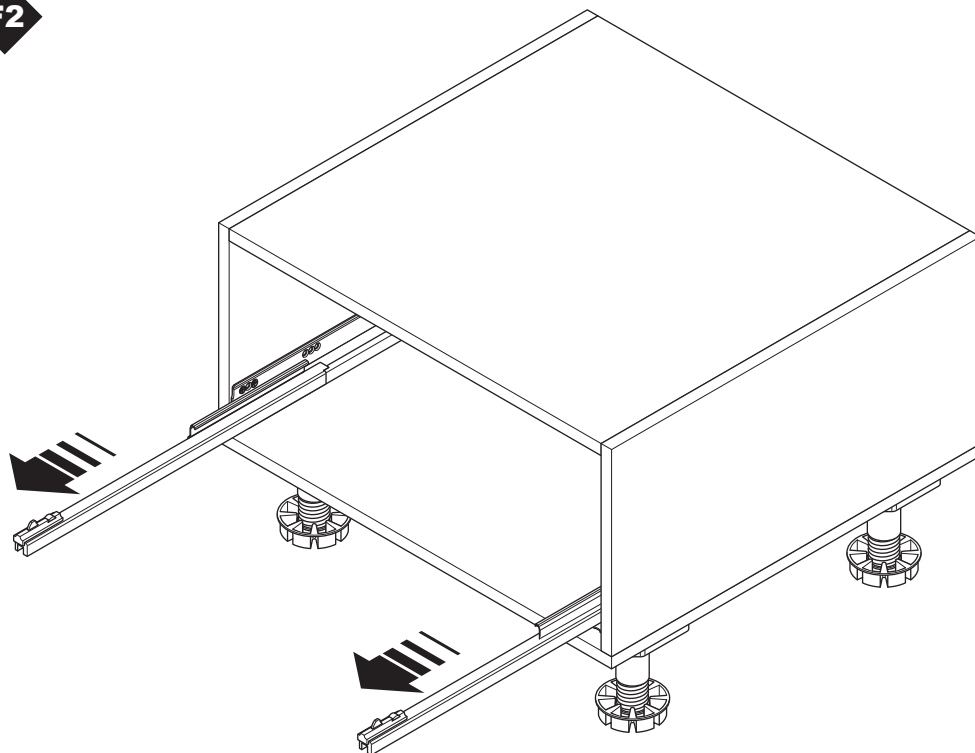


7 **F2**

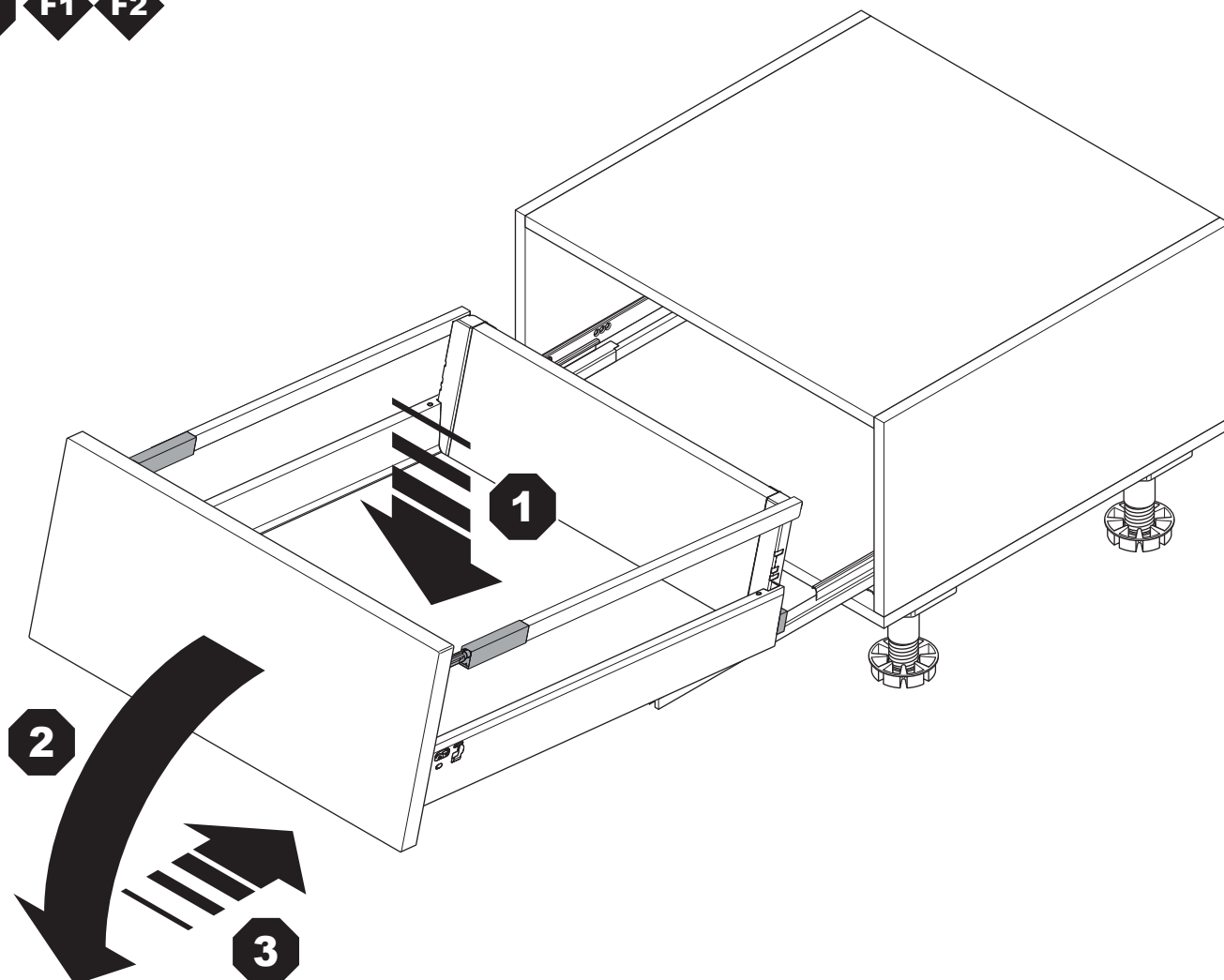




1 **F1** **F2**

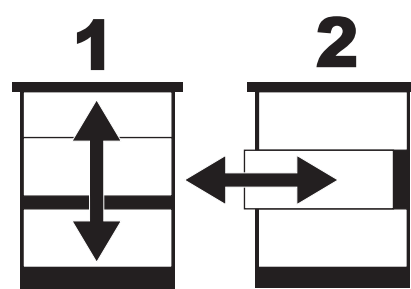
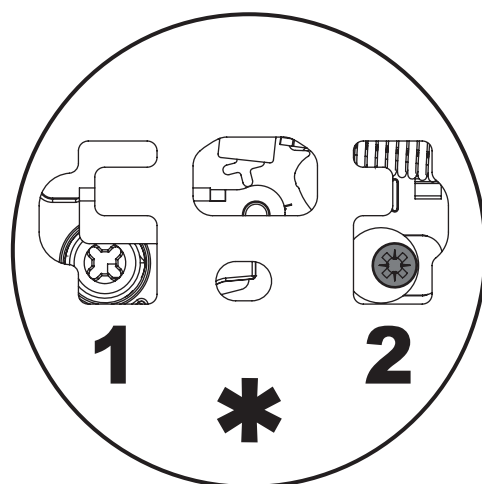
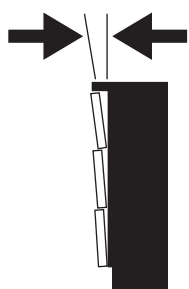
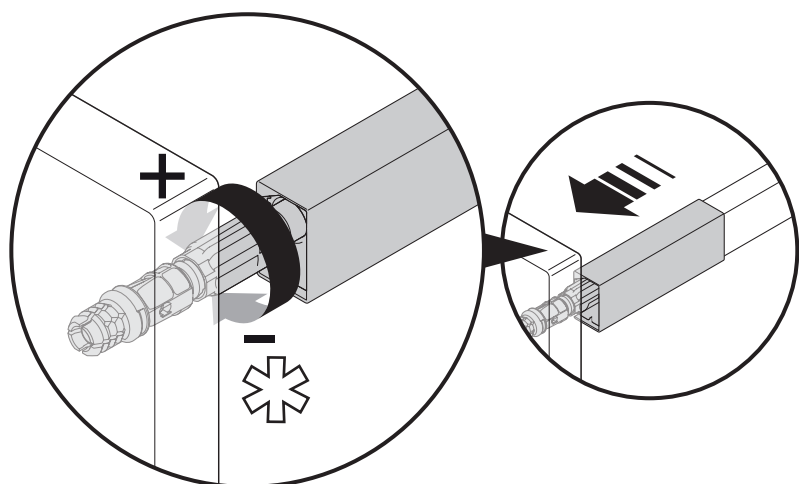
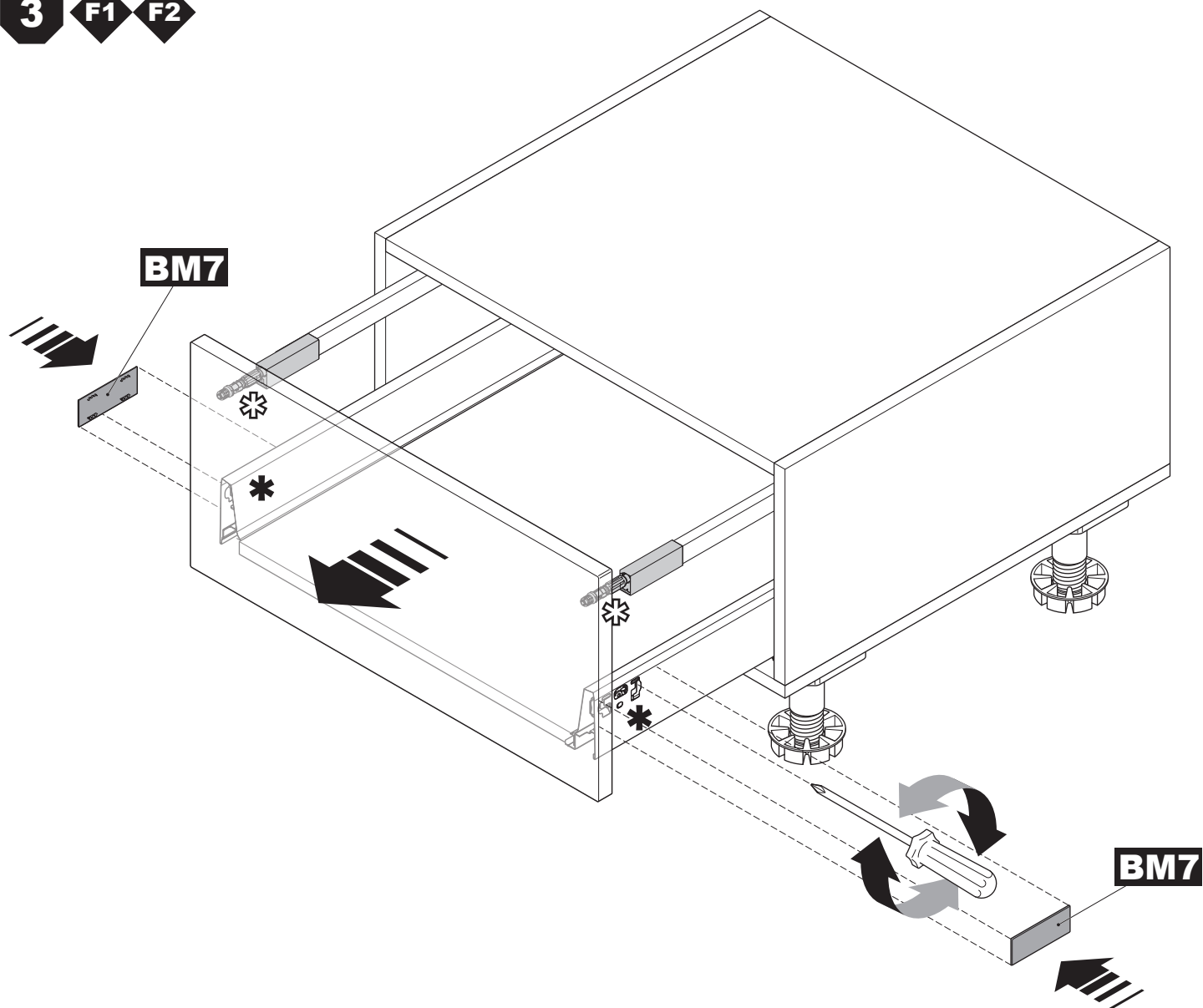


2 **F1** **F2**



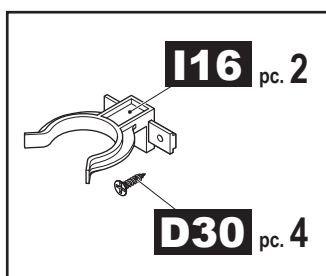
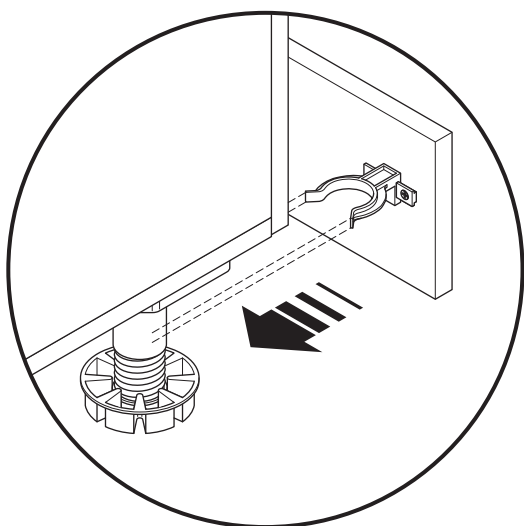
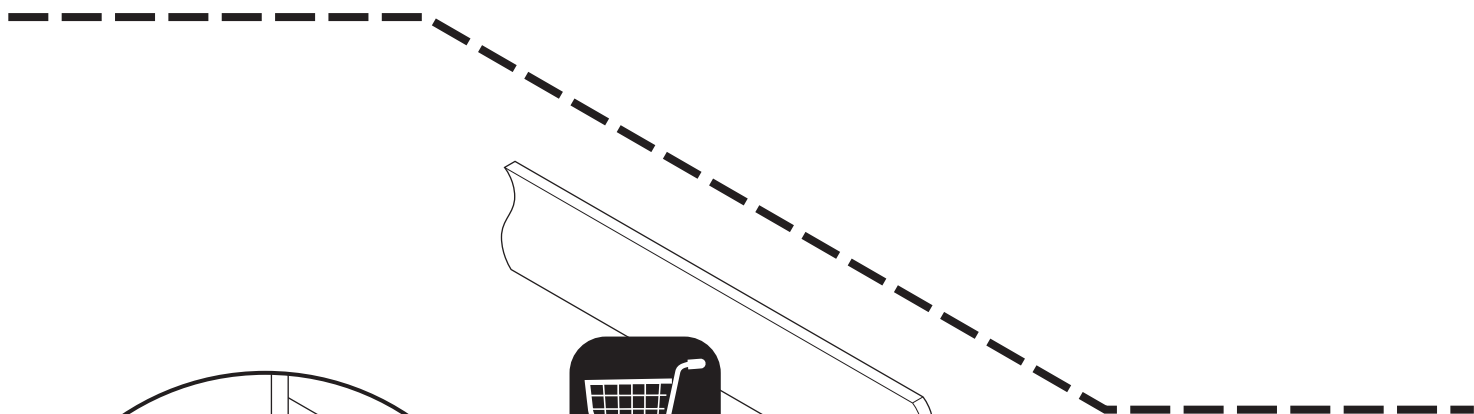
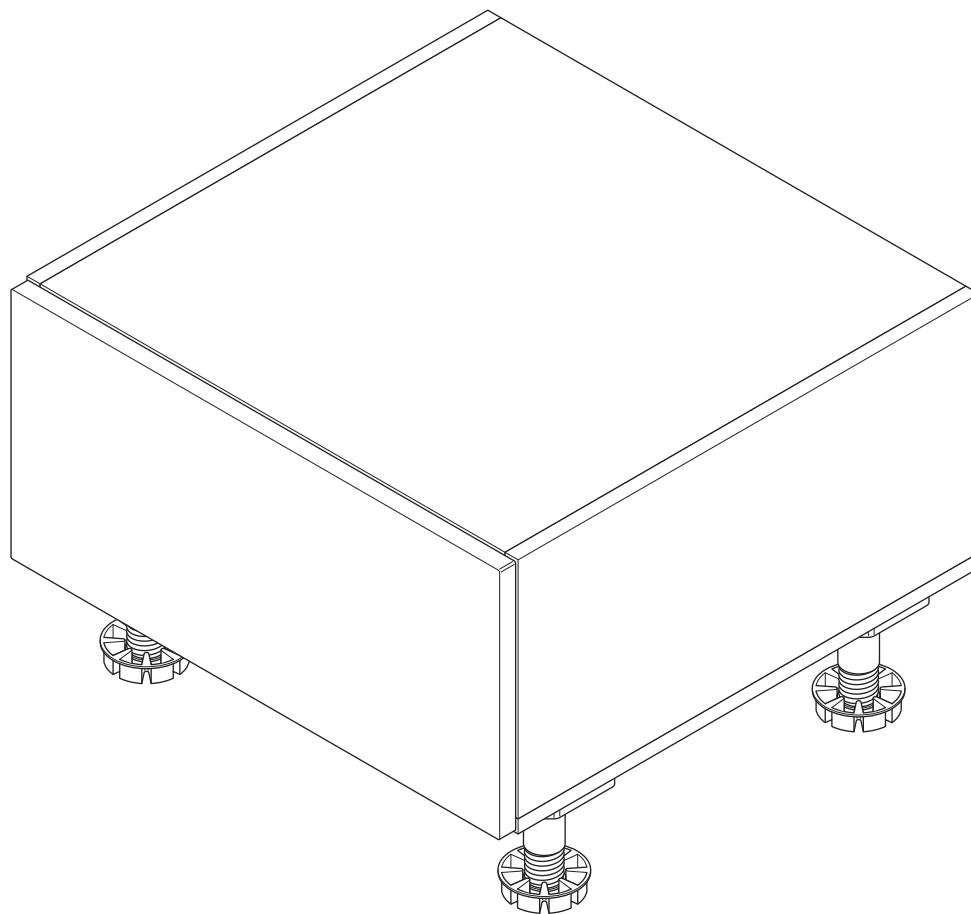


3 **F1** **F2**





4 **F1** **F2**





Kitchen Cabinets and Stones Limited