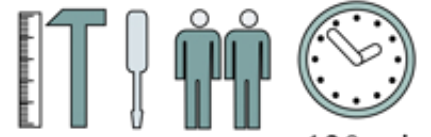
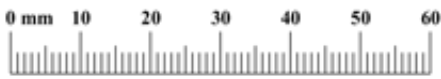
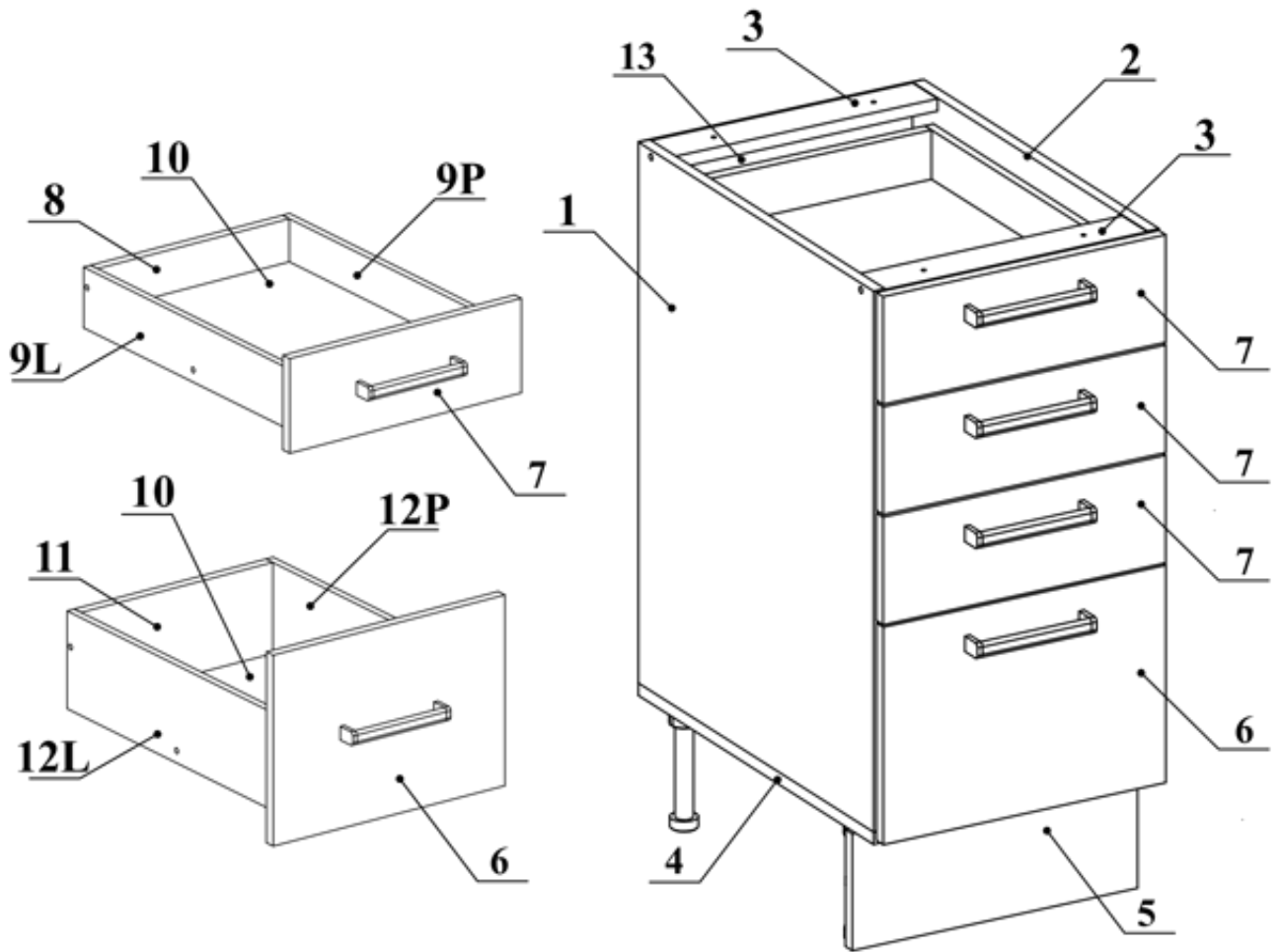












Assembly Instructions for cabinets: S45SZ4 EXEL

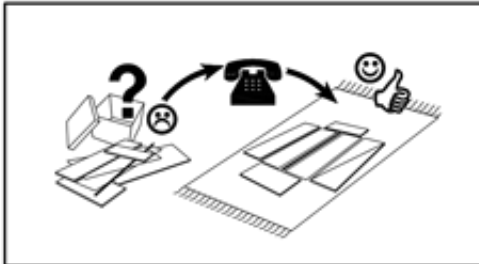


120 min

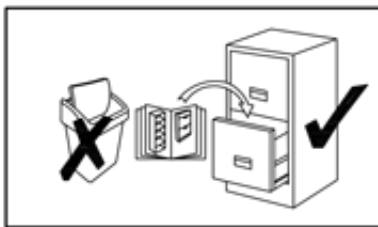
Check all the items are in your box according to the list on this manual. If you are missing anything, please check all other boxes first and then send us an email with a list of the parts you need.

A1 X36  Ø8x36	B7 X8  Ø15x10,3	B4 X8 	G5 X8 	I13 X4  L-150 mm	I14 X2 
B11 X26  Ø7x50	G4 X26 	D10 X36  USØ3,5x13	D14 X16  ESØ6,3x13	B3 X24  Ø1,4x25	ZN X4 
D26 X8  M4x22	G2 X1 	UP6 X4  UPØ4x30	H7 X4  L-500mm.		

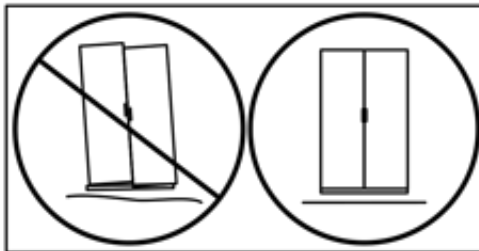
S45SZ4 EXEL



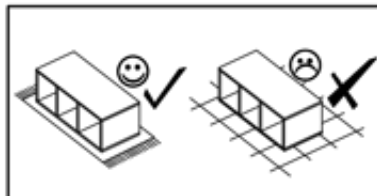
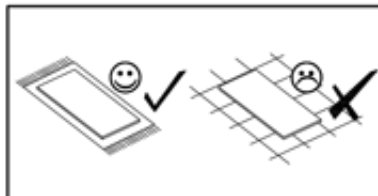
Check all the items are in your box according to the list on this manual. If you are missing anything, please check all other boxes first and then send us an email with a list of the parts you need.



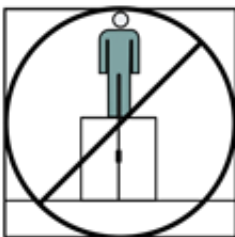
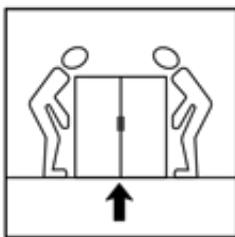
Keep your product assembly manual in a safe place until your kitchen is finished.



Be sure to assemble your cabinets on a flat surface and keep them straight and square.



Assemble your cabinets on a rug or a surface that will not scratch or damage them.



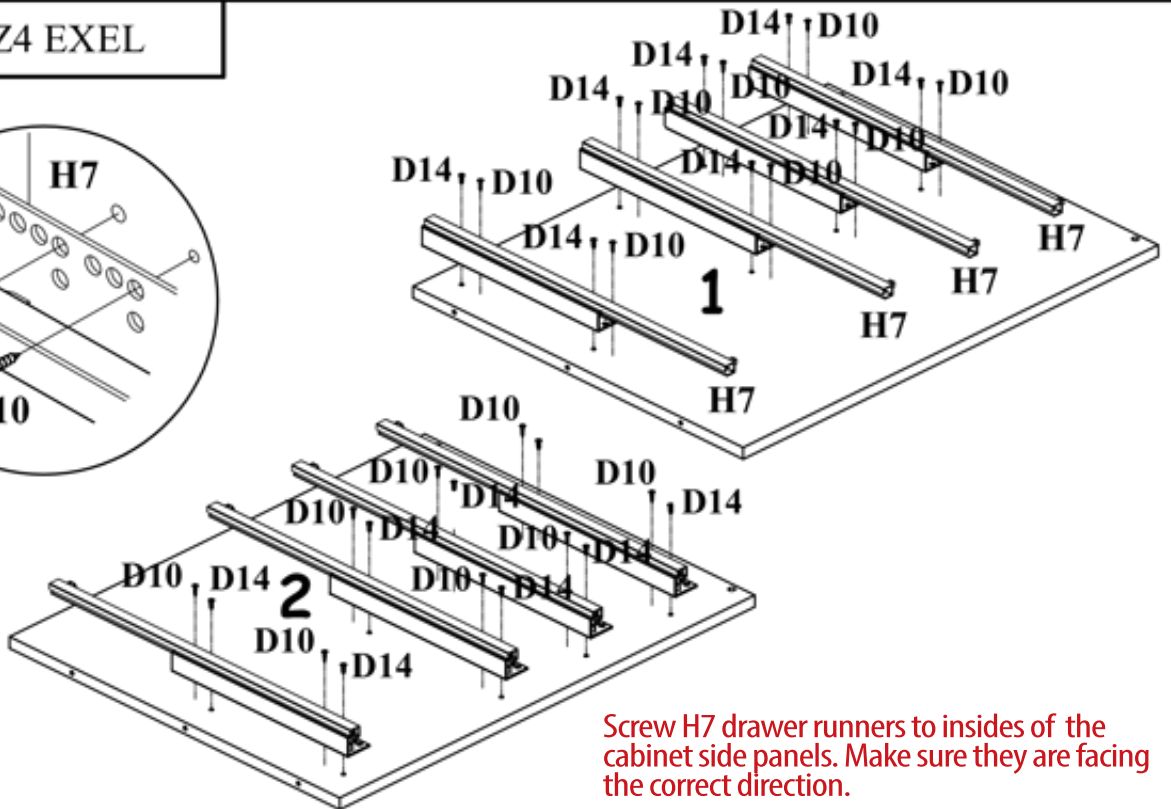
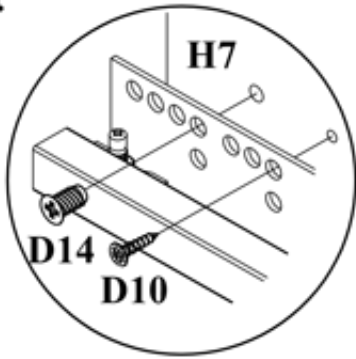
Do not push cabinets into place. Get someone to help you lift the cabinets into place, or you could risk damaging the feet.
Do not stand on the cabinets.



Once protective film on thermal wrap doors is removed, do not clean for 7 days. This allows the surface to harden. Only clean the cabinets with a small amount of warm water or non harsh chemicals.

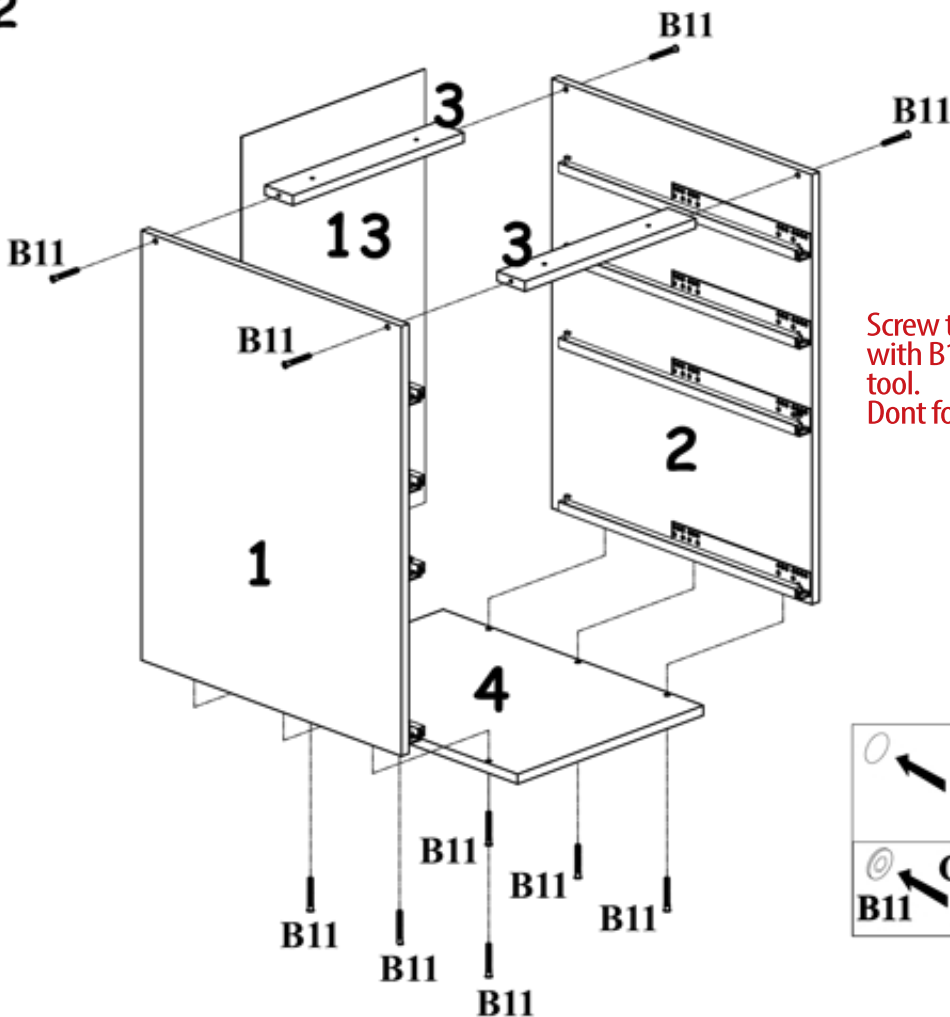
S45SZ4 EXEL

1

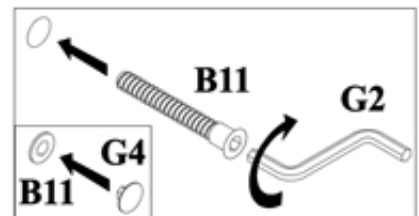


Screw H7 drawer runners to insides of the cabinet side panels. Make sure they are facing the correct direction.

2

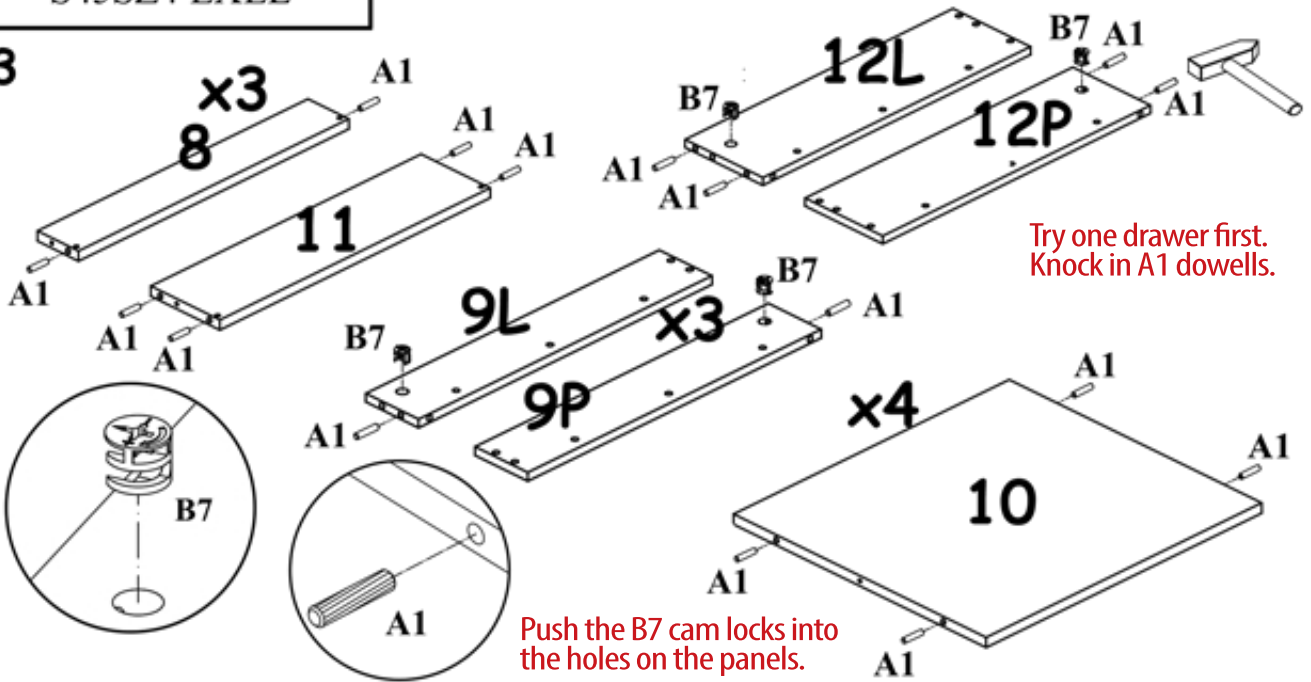


Screw together cabinet frame with B11 screws and allen key tool. Dont forget the two top rails (3).



S45SZ4 EXEL

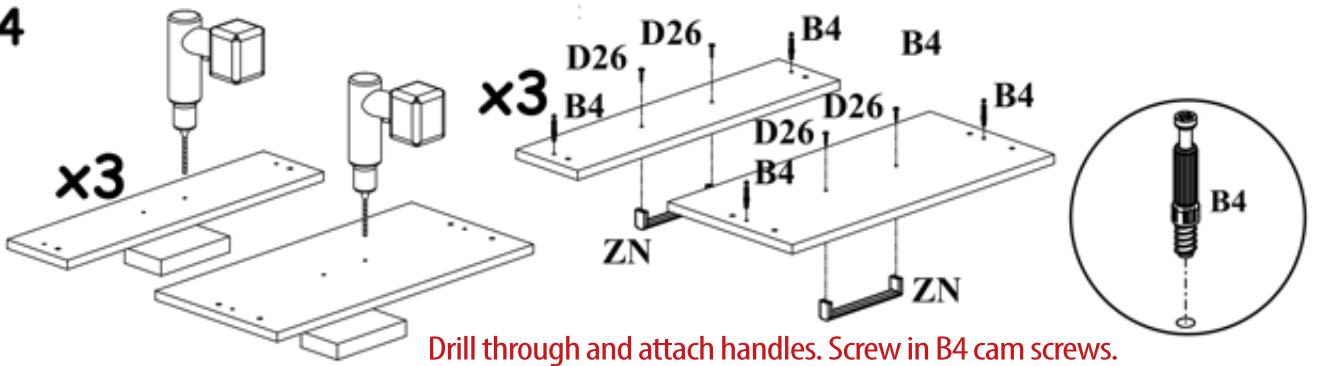
3



Try one drawer first.
Knock in A1 dowells.

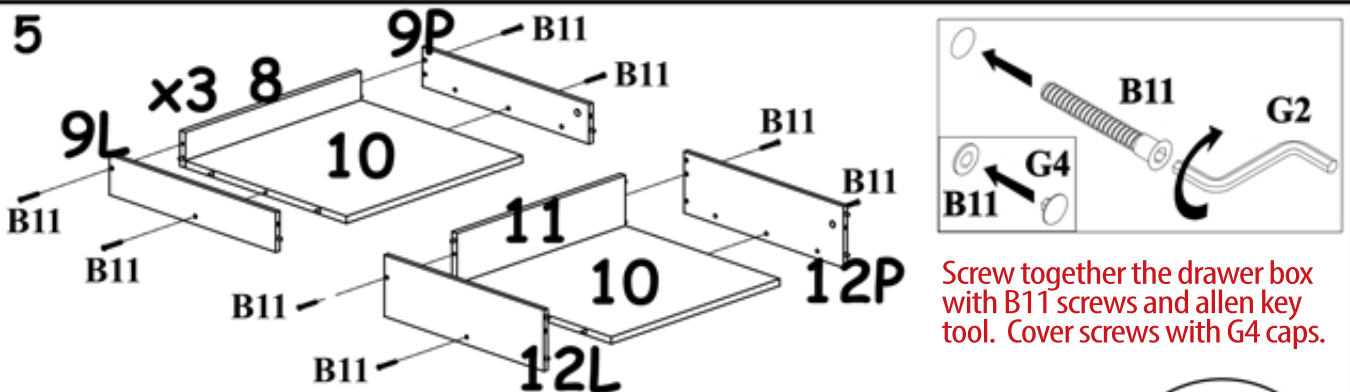
Push the B7 cam locks into the holes on the panels.

4



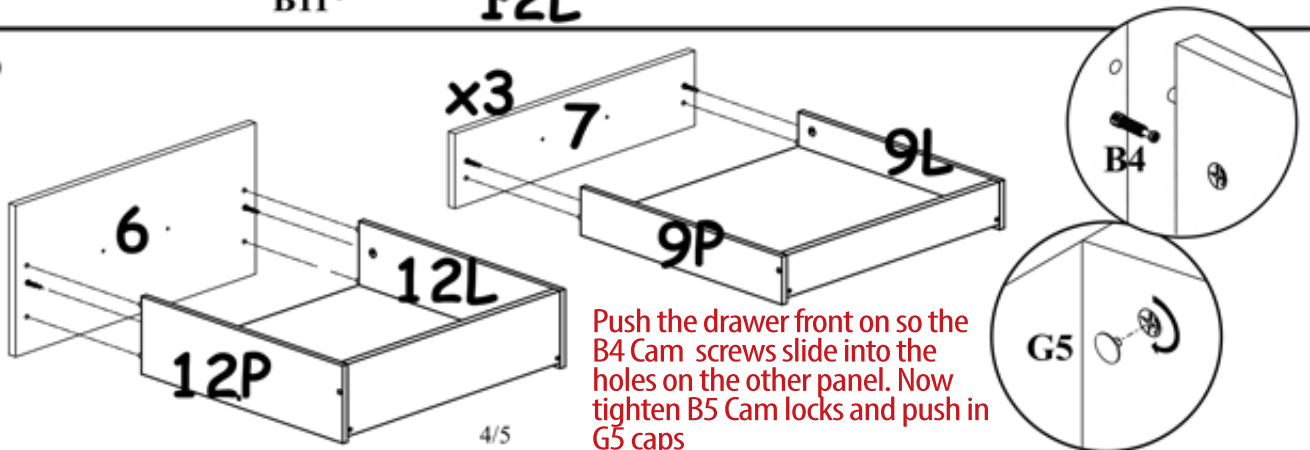
Drill through and attach handles. Screw in B4 cam screws.

5



Screw together the drawer box with B11 screws and allen key tool. Cover screws with G4 caps.

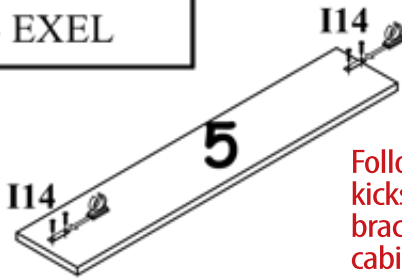
6



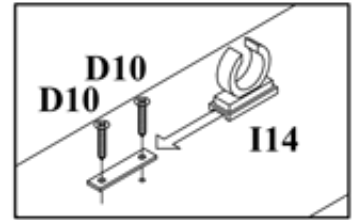
Push the drawer front on so the B4 Cam screws slide into the holes on the other panel. Now tighten B5 Cam locks and push in G5 caps

S45SZ4 EXEL

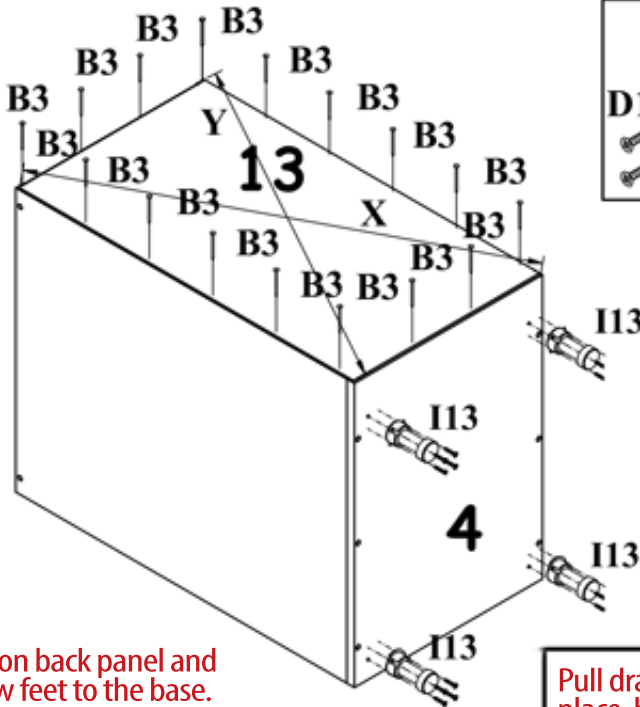
7



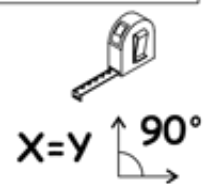
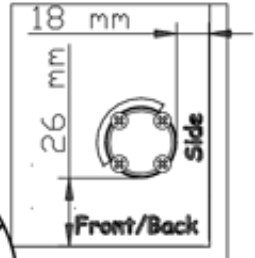
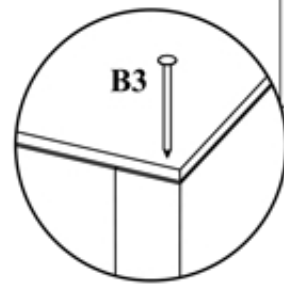
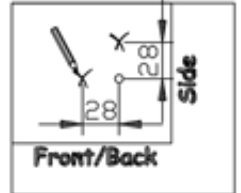
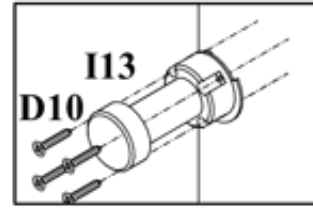
Follow instructions for fitting toe kicks. Screw on the toe kick clip brackets to line up with the cabinet feet and slide the clips on.



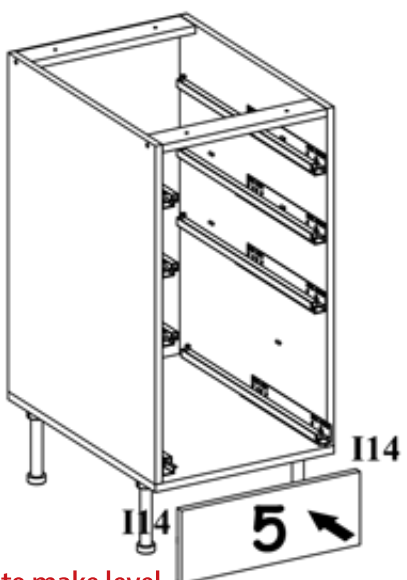
8



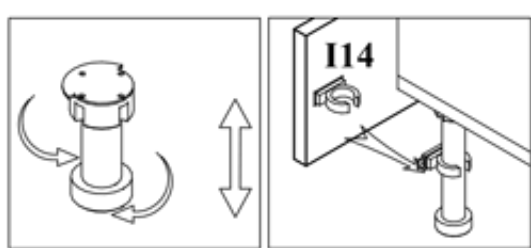
Nail on back panel and screw feet to the base.



9



Adjust feet to make level.



10

