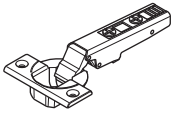
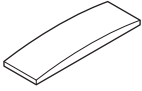
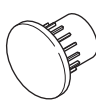
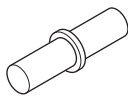
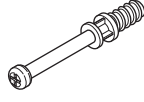
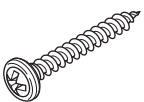
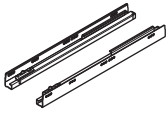
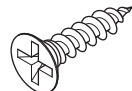
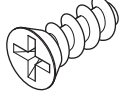
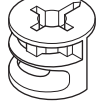
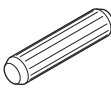
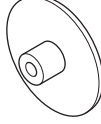

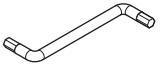
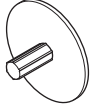
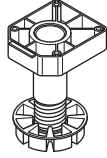
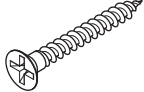
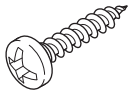
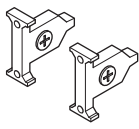
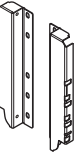
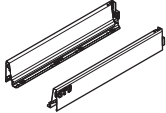
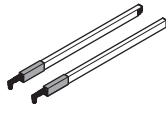
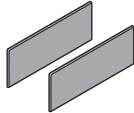
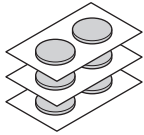
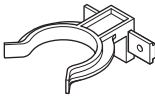
 E8 pc. 6	 E7 pc. 6	 F01 pc. 6	 Z2 pc. 18	 G7 pc. 4	 B4 pc. 22	 UP16 pc. 32
 SET BM1 pc. 4	 USØ3,5x16 D30 pc. 112	 Ø6x13 D8 pc. 24	 Ø15x12 B5 pc. 22	 Ø8x35 A1 pc. 26	 G5 pc. 22	 Ø7x50 B11 pc. 6
 G2 pc. 1	 G4 pc. 6	 I15 pc. 4	 USØ4x35 D27 pc. 16	 USØ3,5x18 D18 pc. 16	 SET BM2 pc. 4	 SET BM4 pc. 4
 SET BM5 pc. 4	 SET BM6 pc. 4	 SET BM7 pc. 4	 I03 pc. 3	 I16 pc. 2		

Symbology



Phases of assembly



Elements



Hardware and tools



Reference to the detail



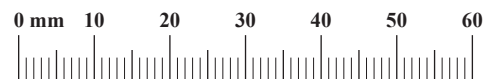
Screw partially

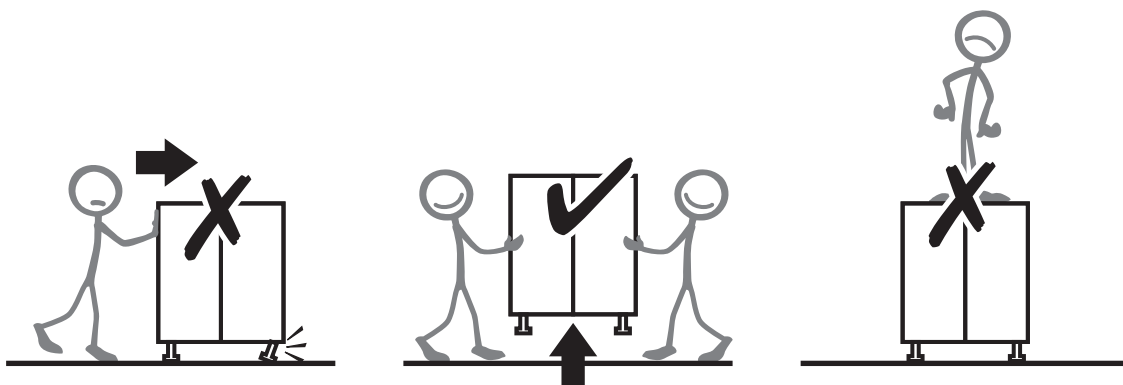
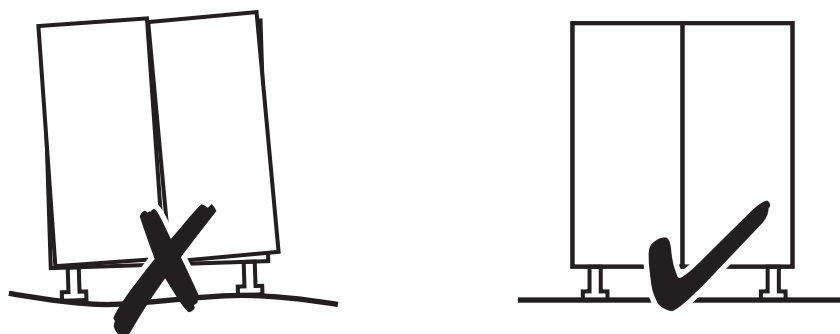
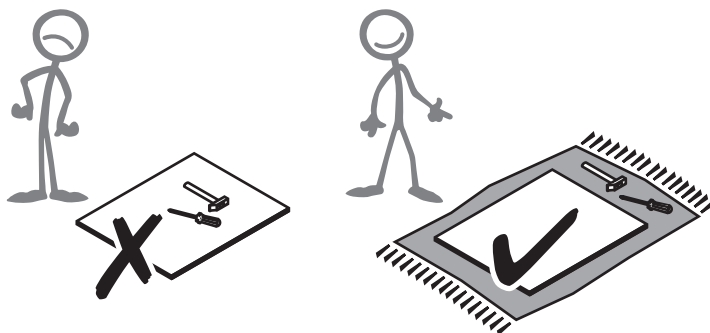
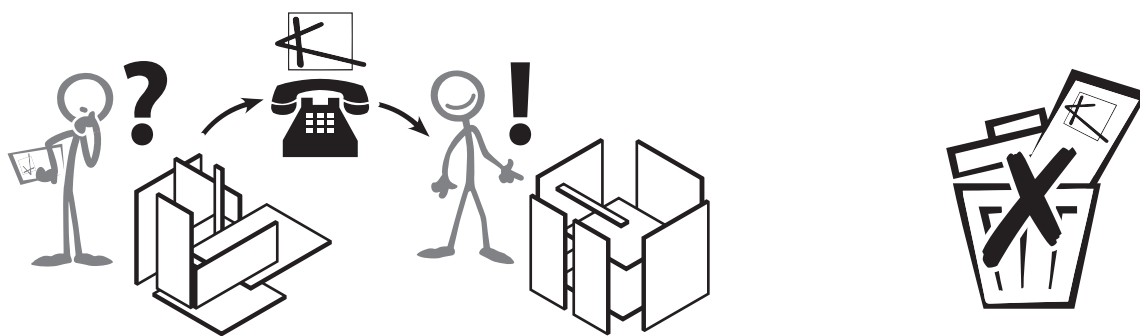


Movement direction



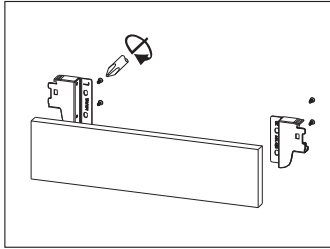
120 min



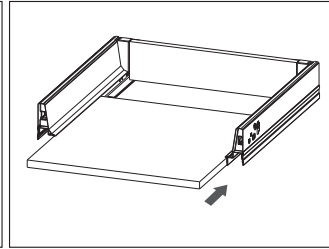
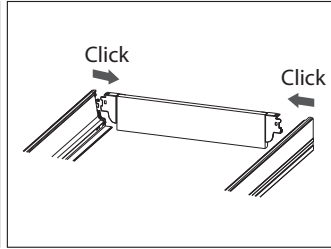


Assembly

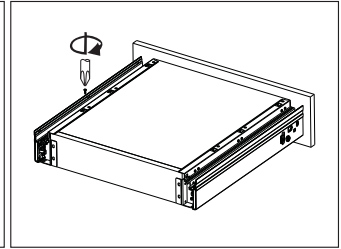
Installation Instruction



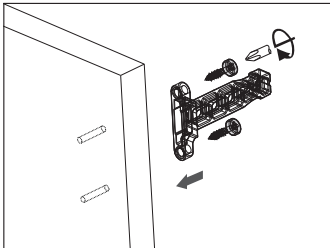
Assembly - Back



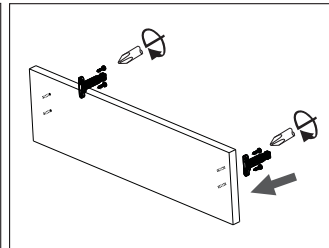
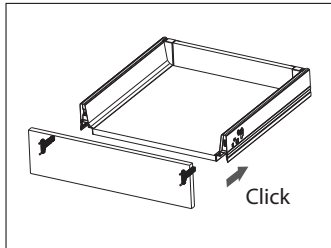
Assembly - Bottom



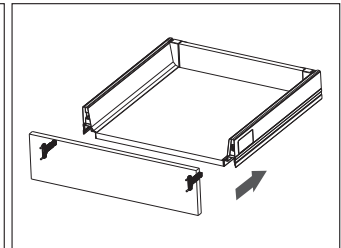
Fix Screws



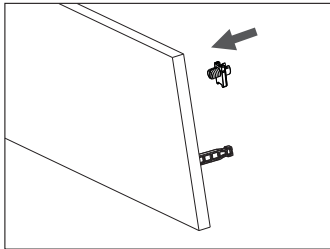
Assembly - Front



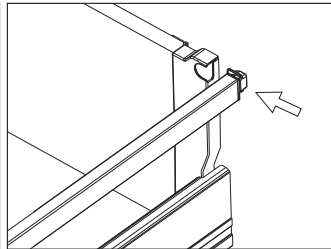
Assembly - Front



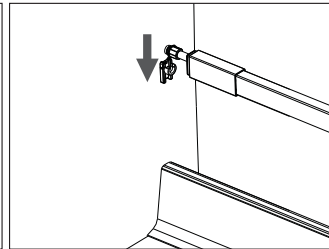
Drawer with rails



Assembly - Front

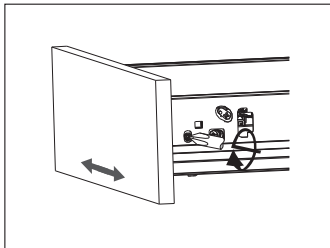


Assembly - Back

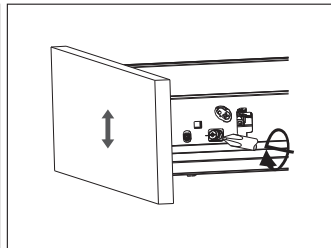


Fit the front

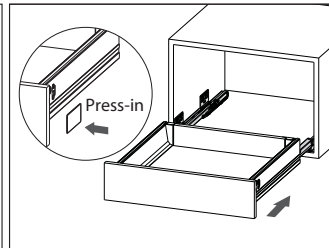
Adjustment



Left & Right adjustment

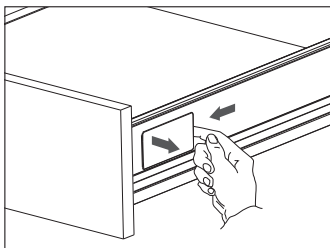


Up & Down adjustment

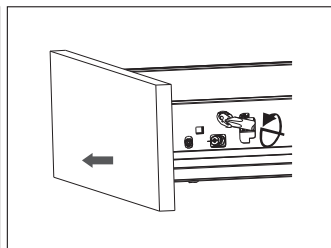


Slide into the cabinet

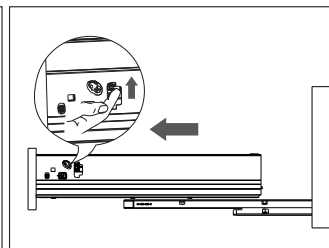
Removal



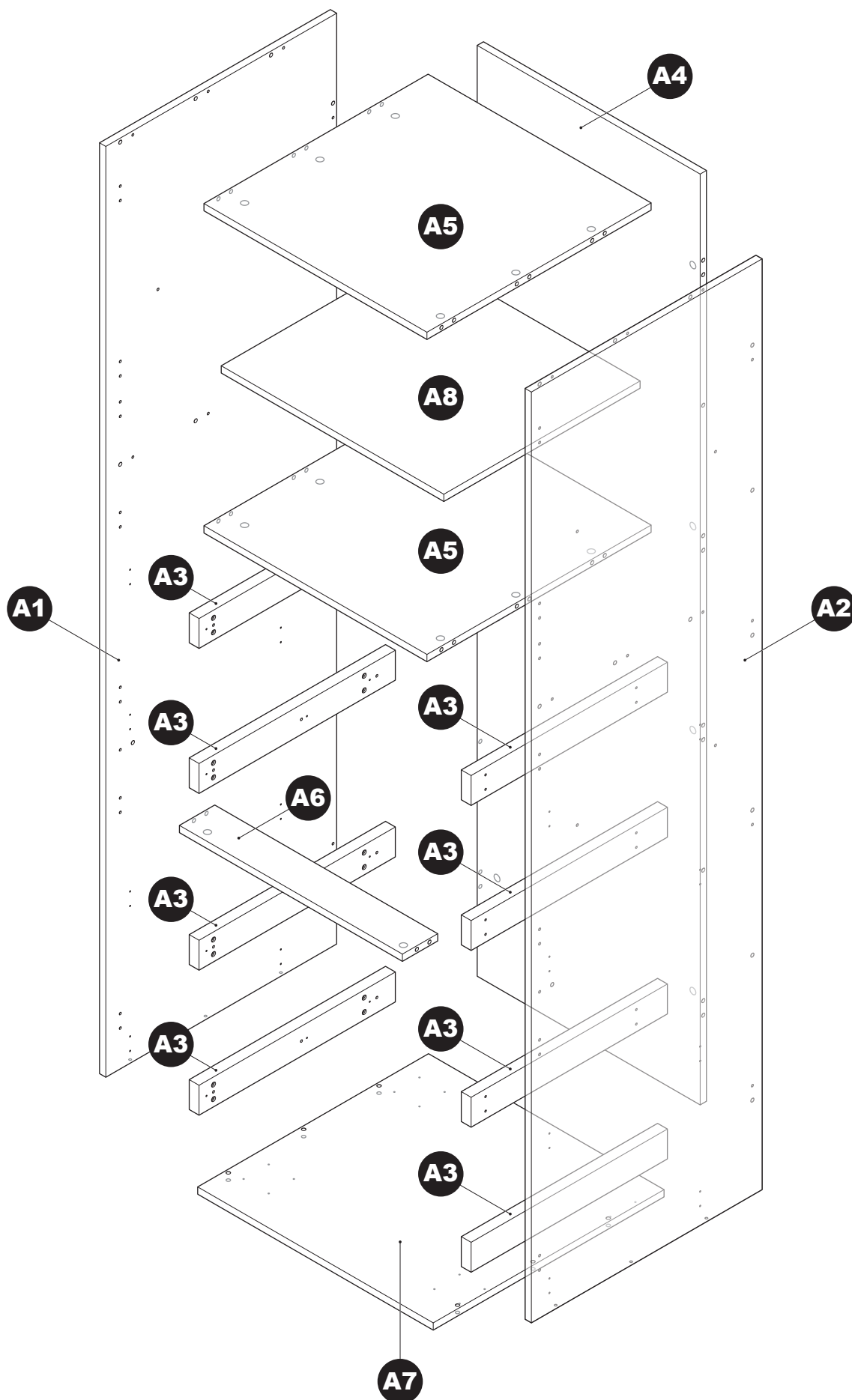
Tip up the cover and pull out



Turn screw driver to release the drawer front

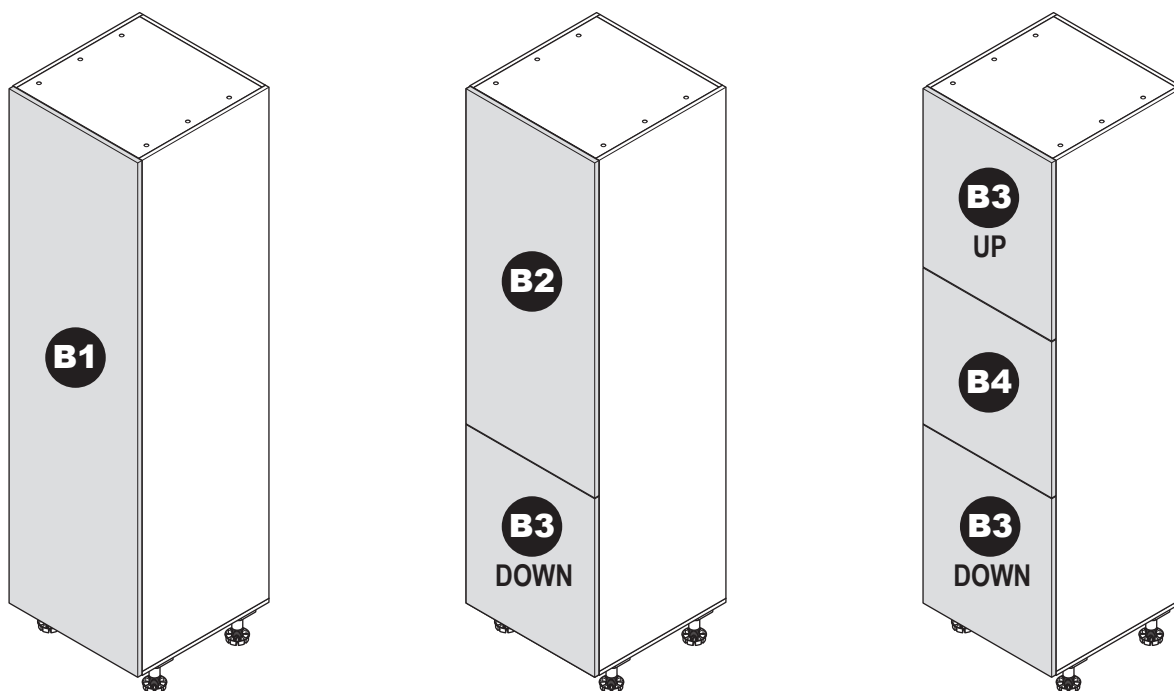


Lift the release handle and pull out the drawer

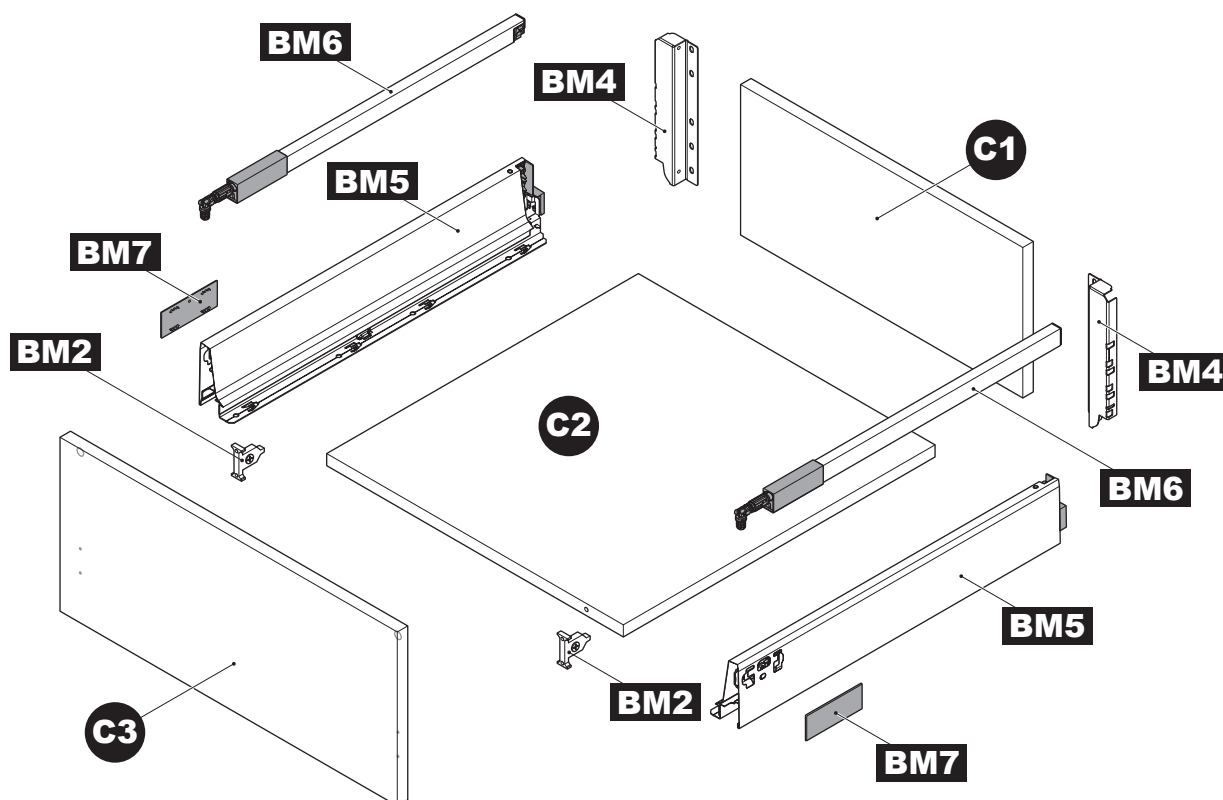




B

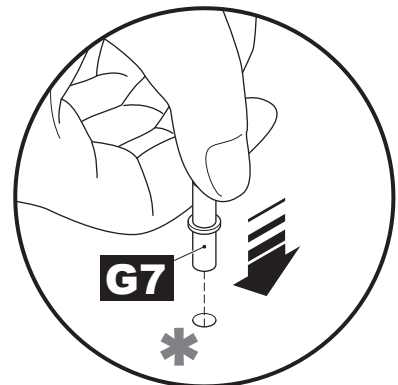
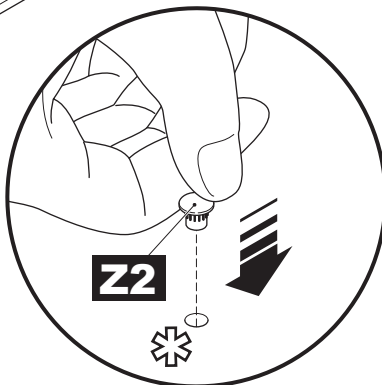
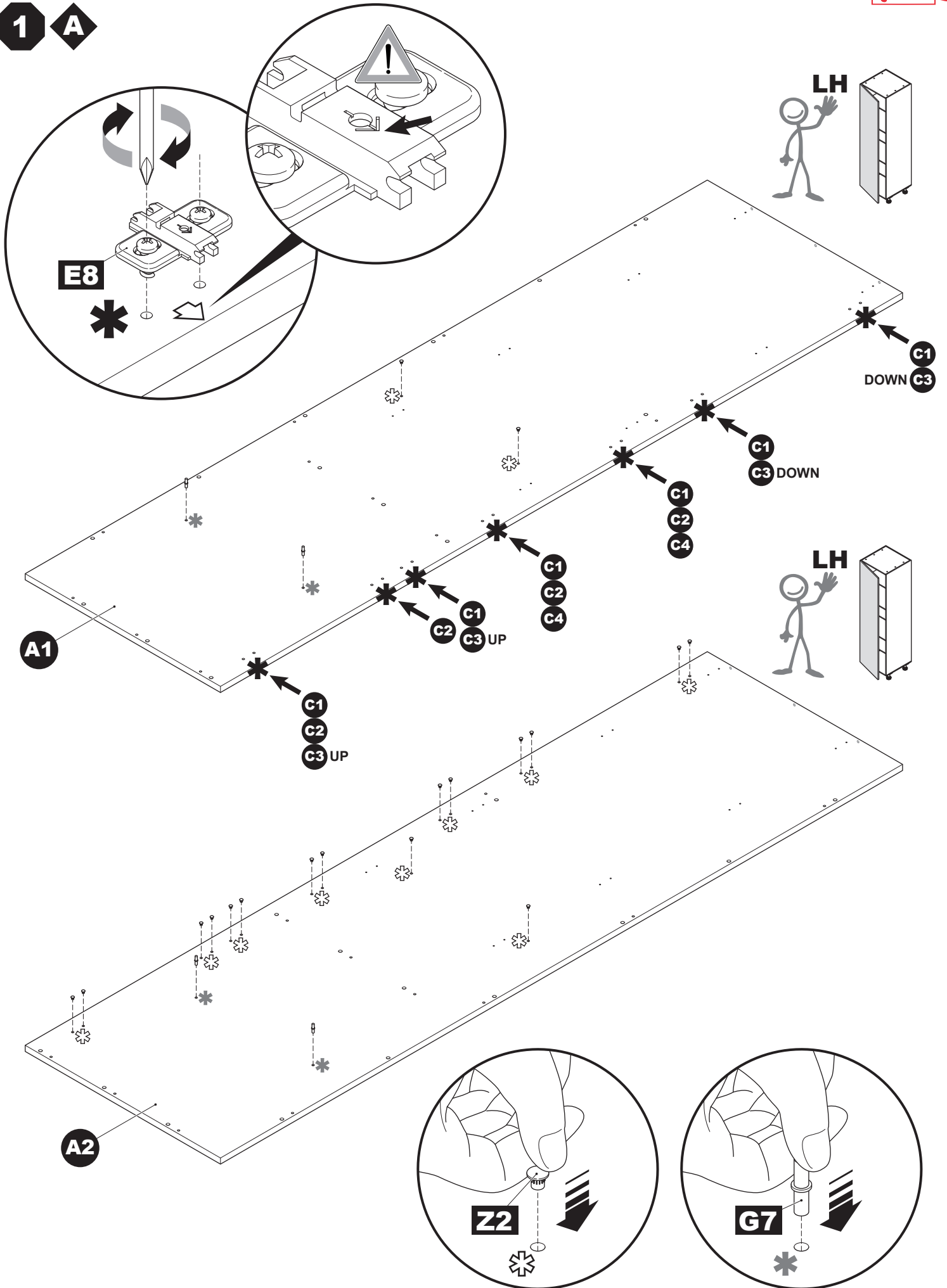


C x4



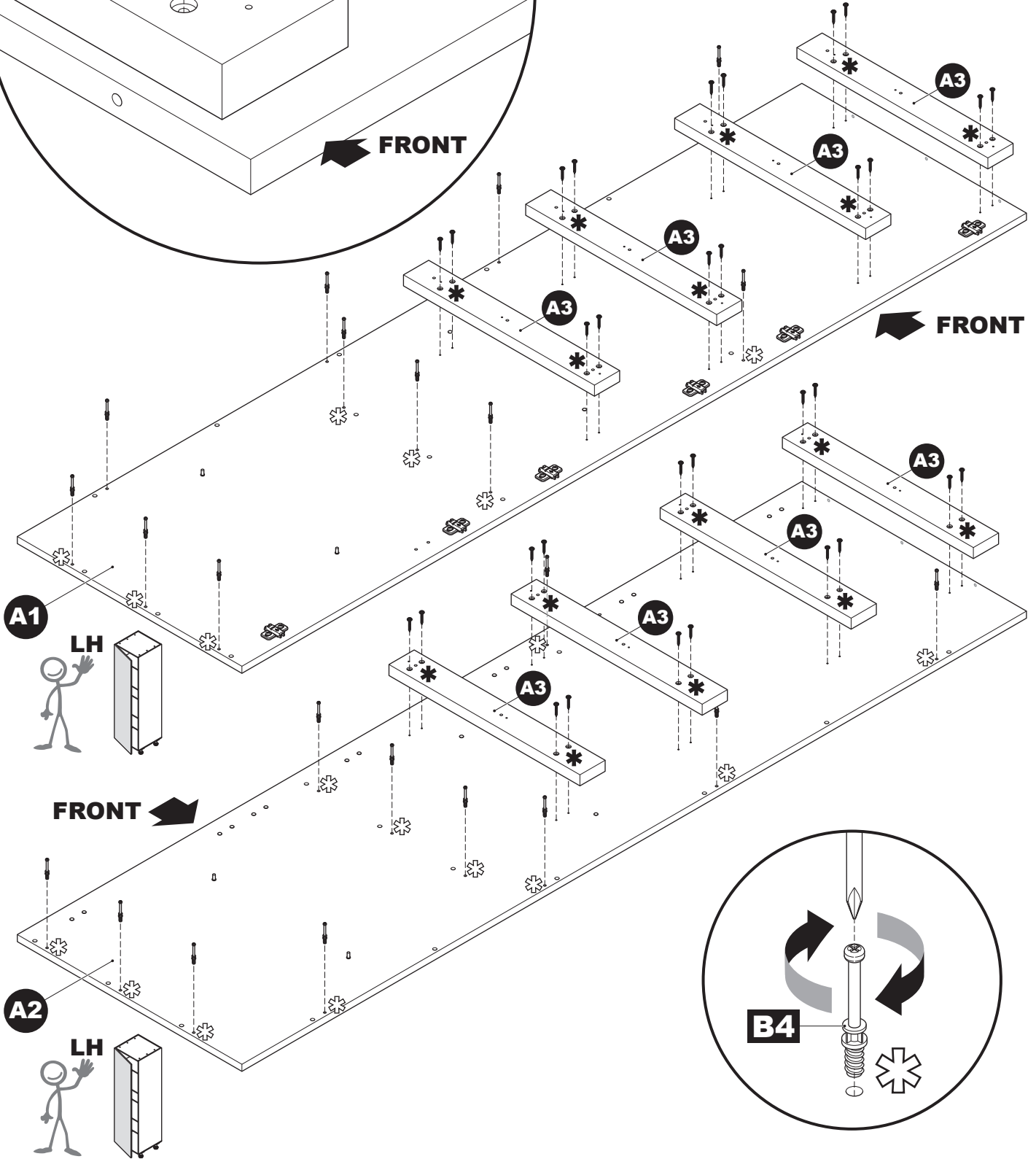
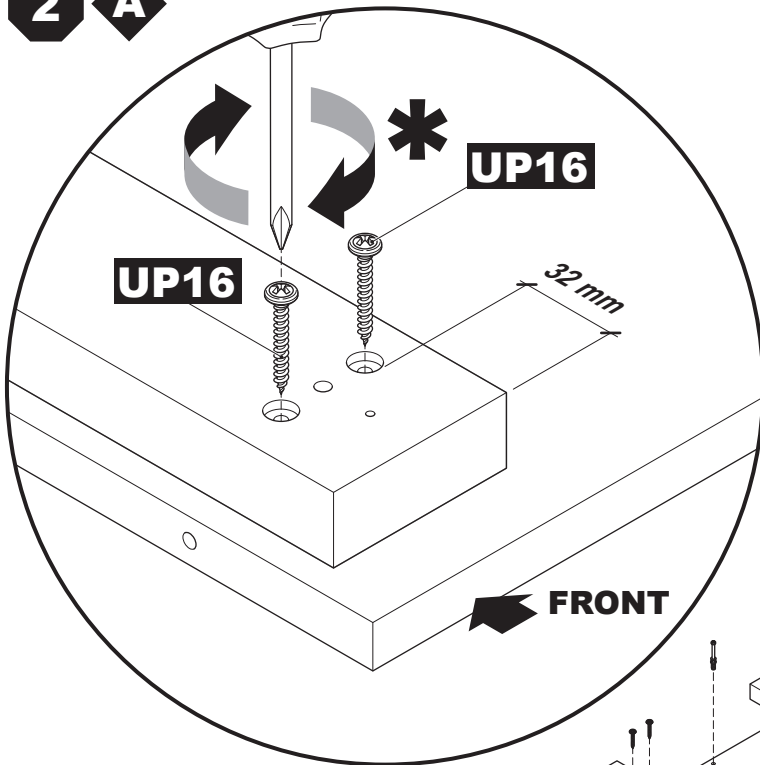


1 **A**





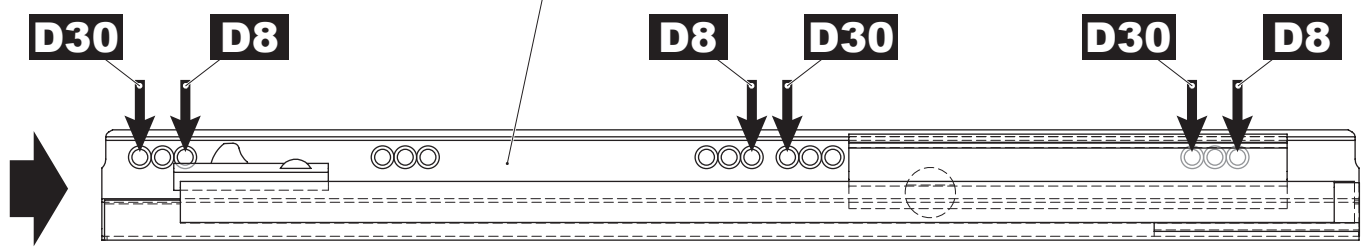
2 **A**



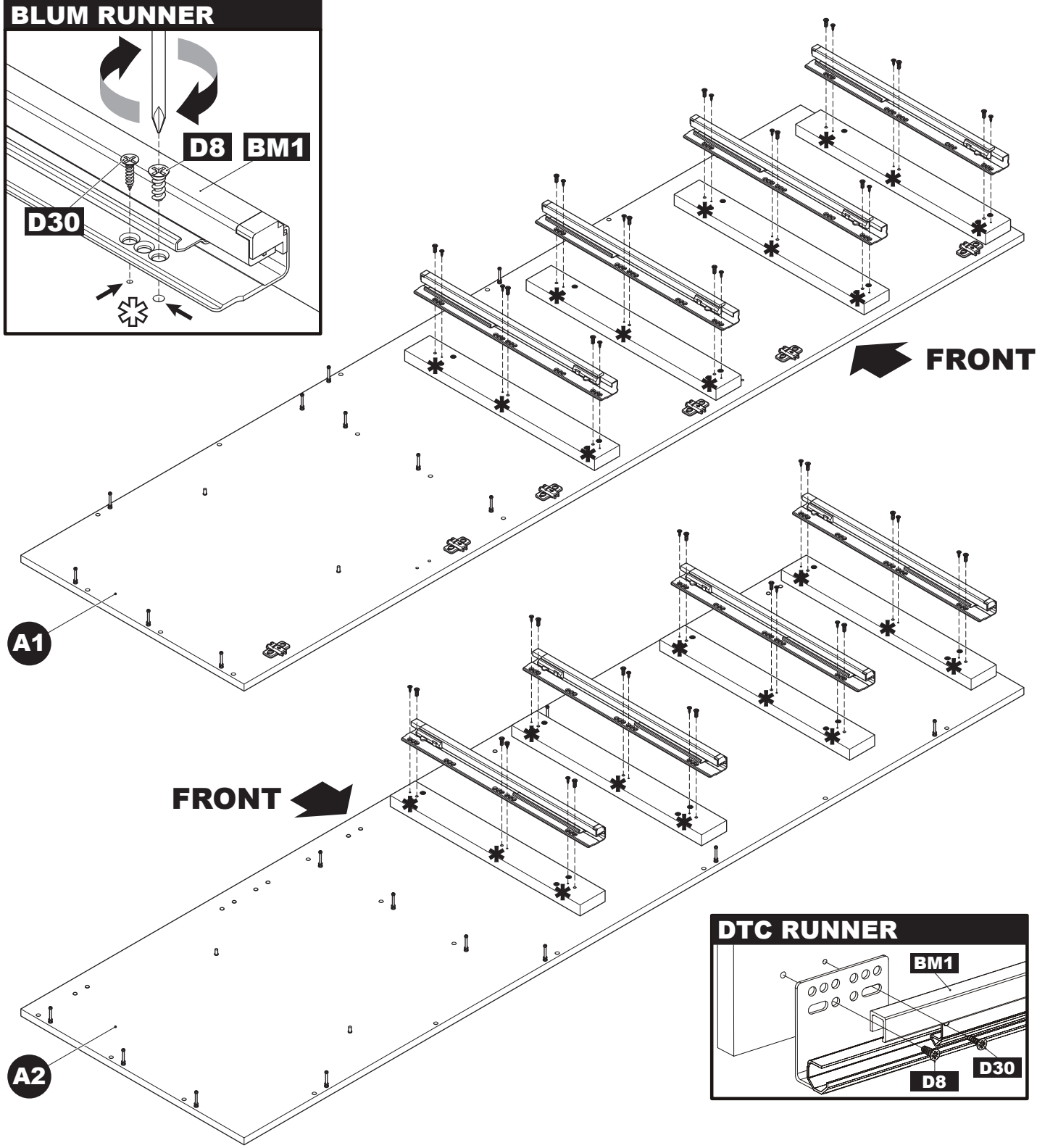
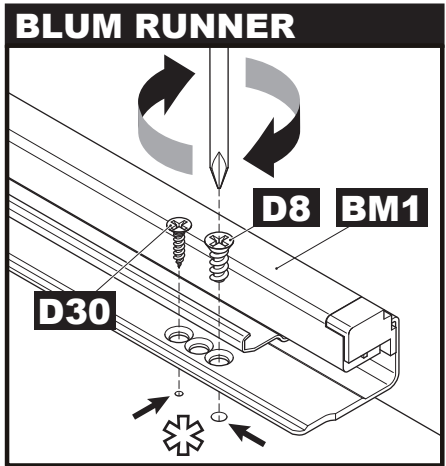


3 **A**

BM1



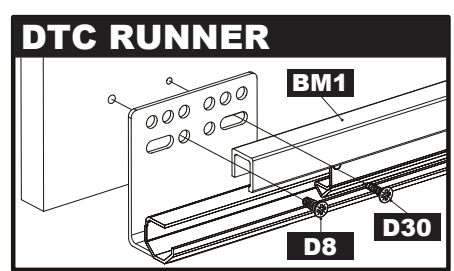
FRONT



A1

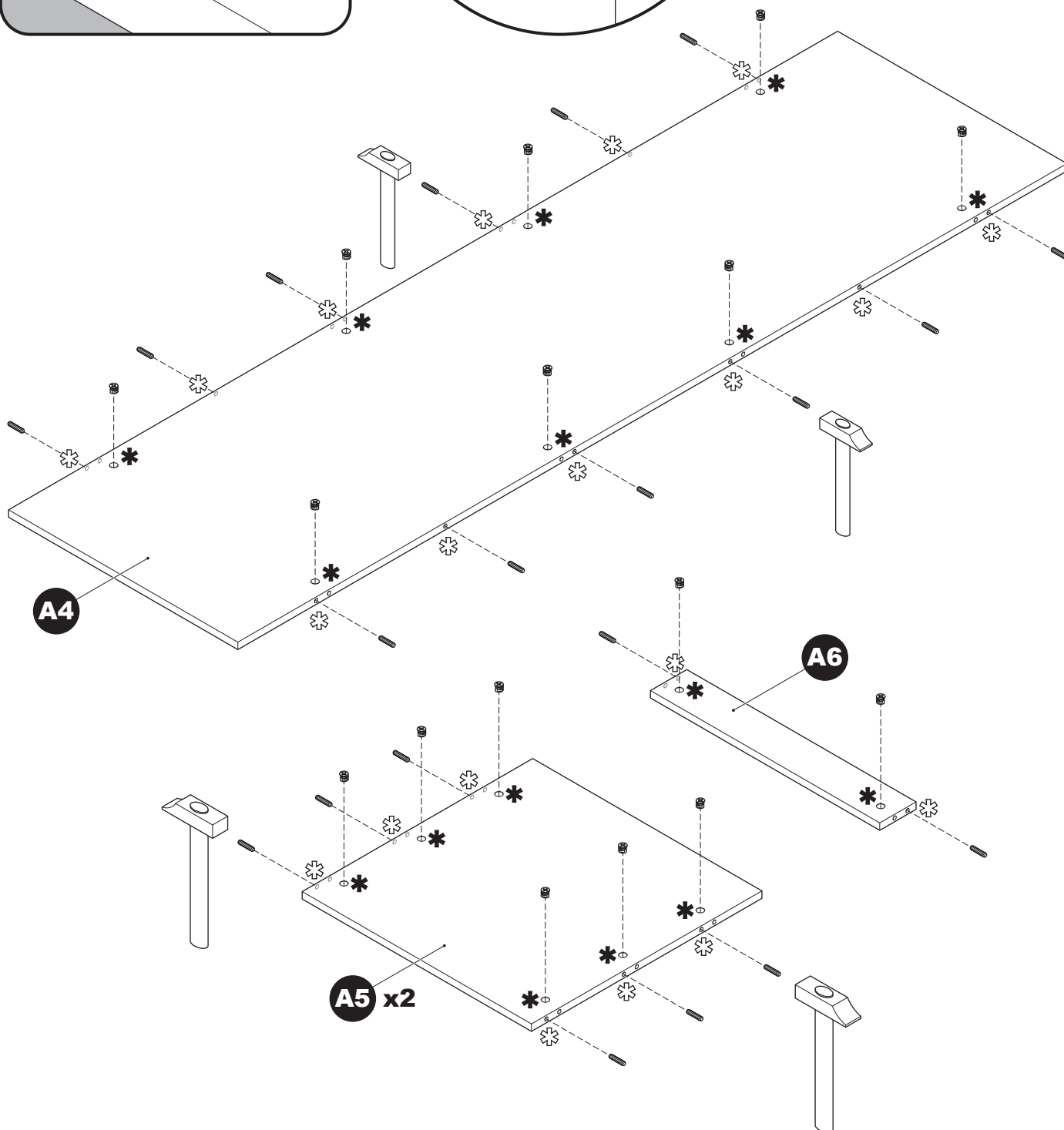
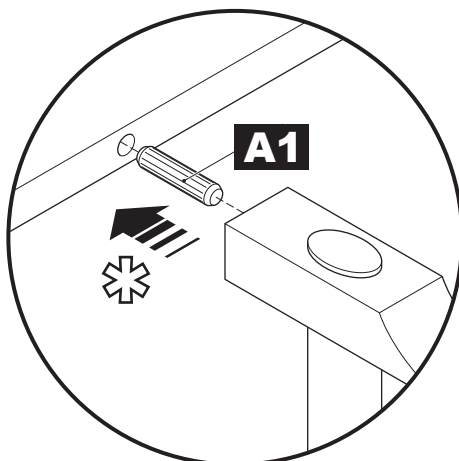
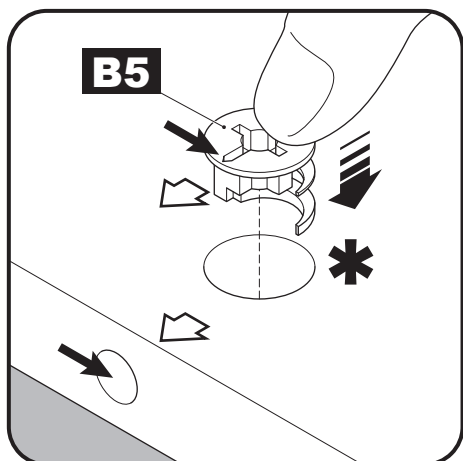
FRONT

A2



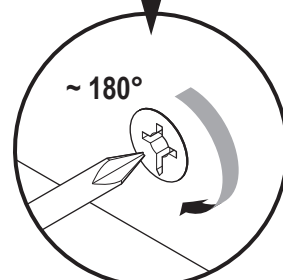
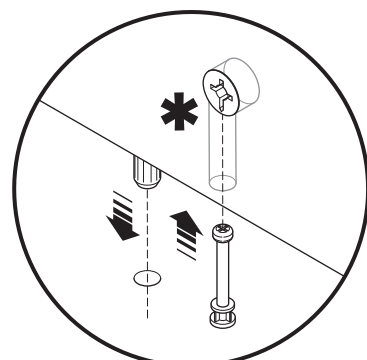
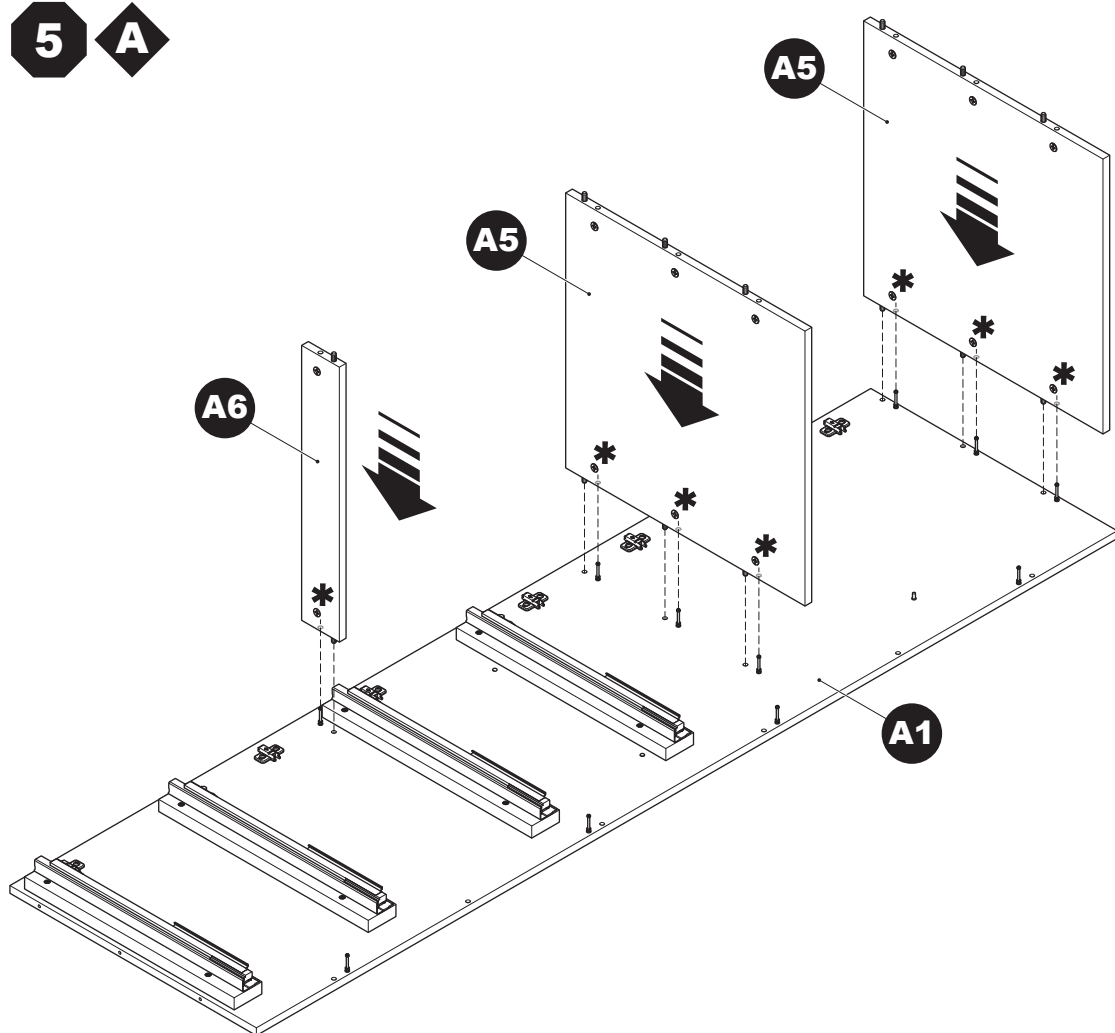


4 **A**

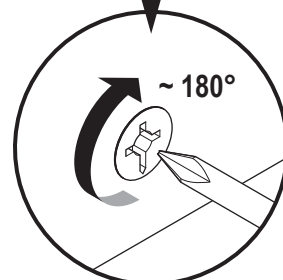
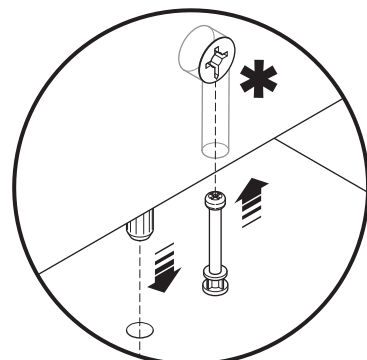
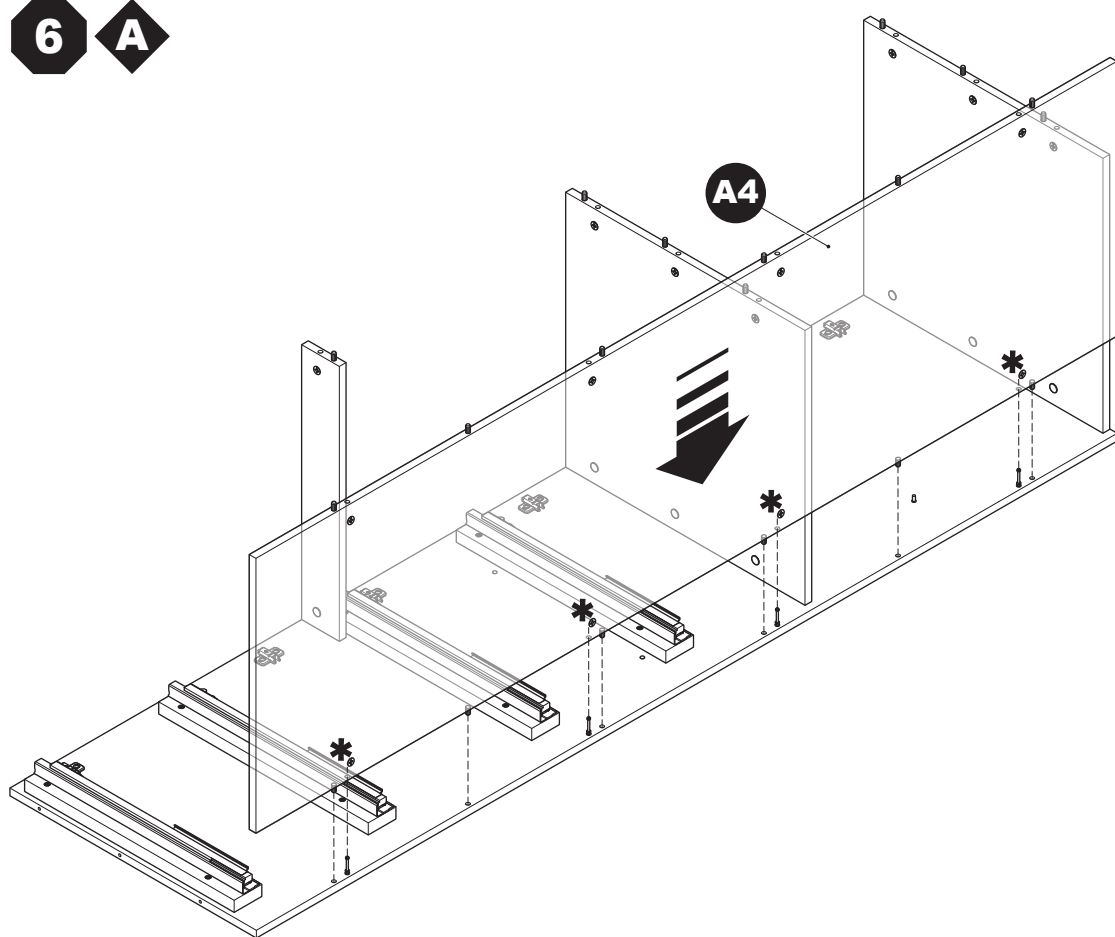




5 **A**

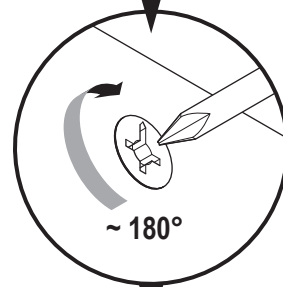
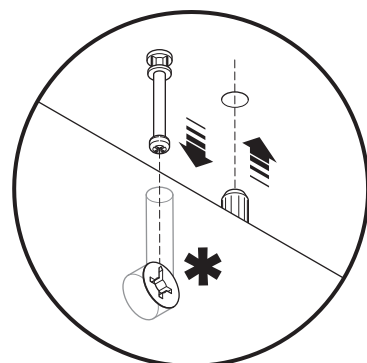
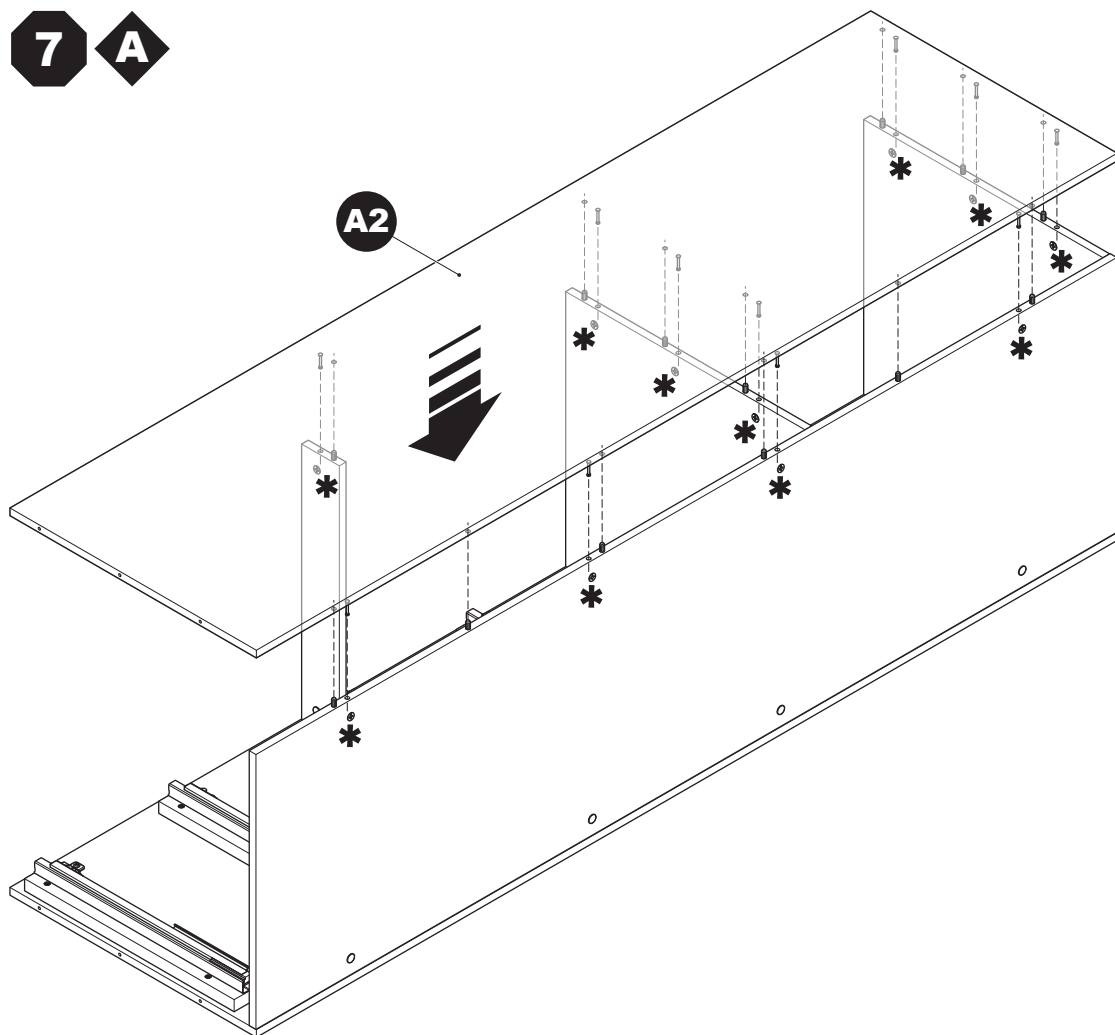


6 **A**

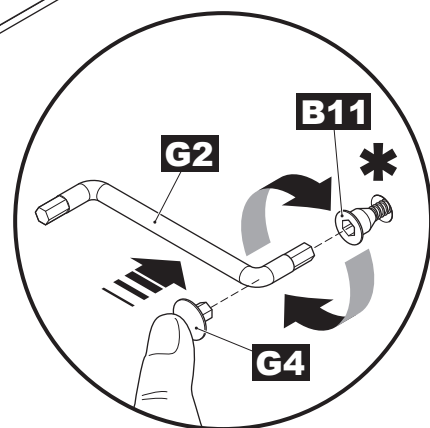
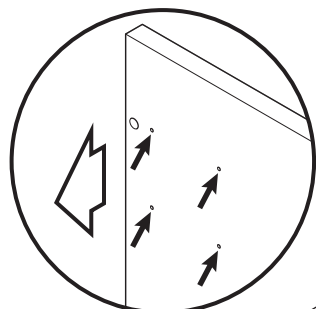
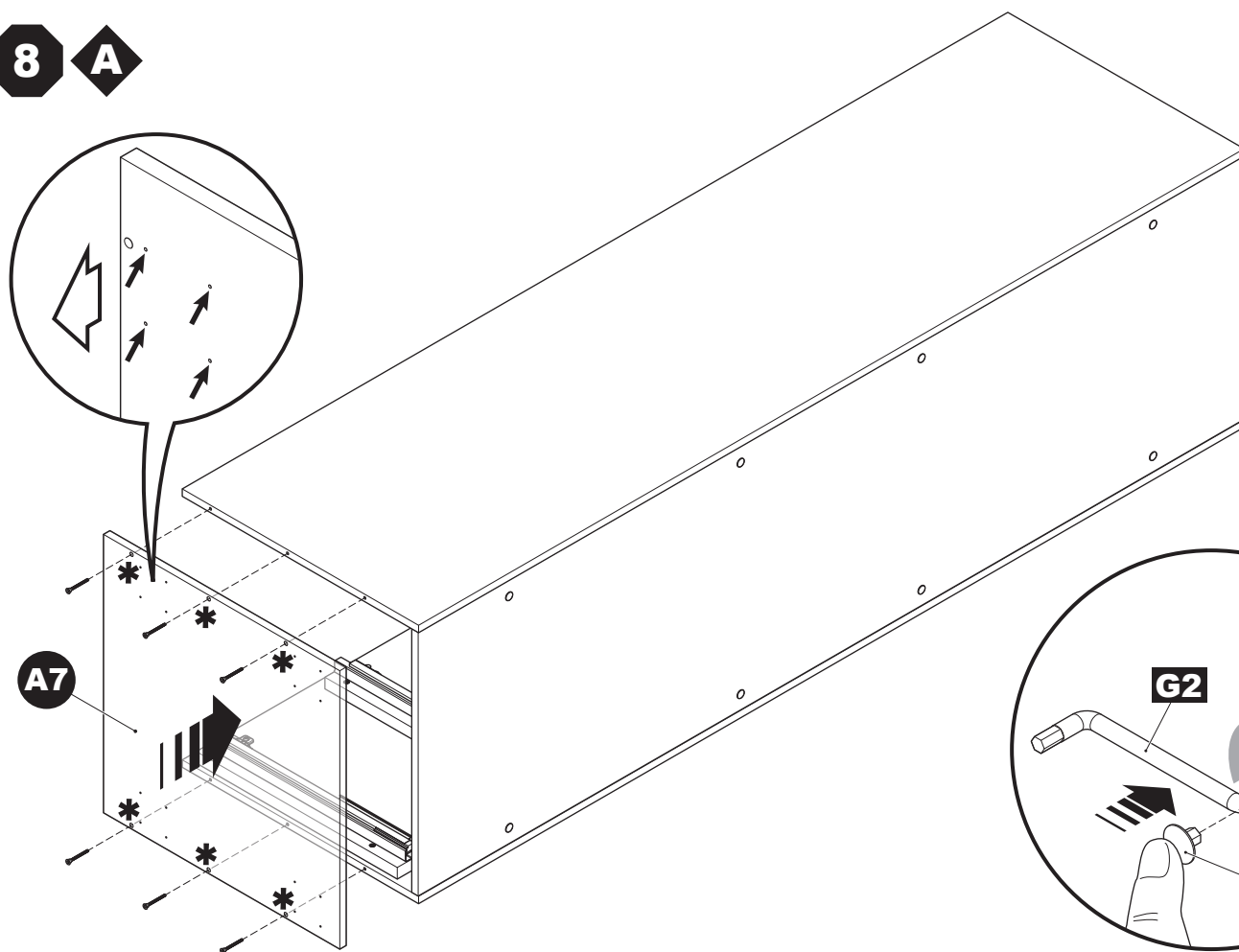




7 **A**

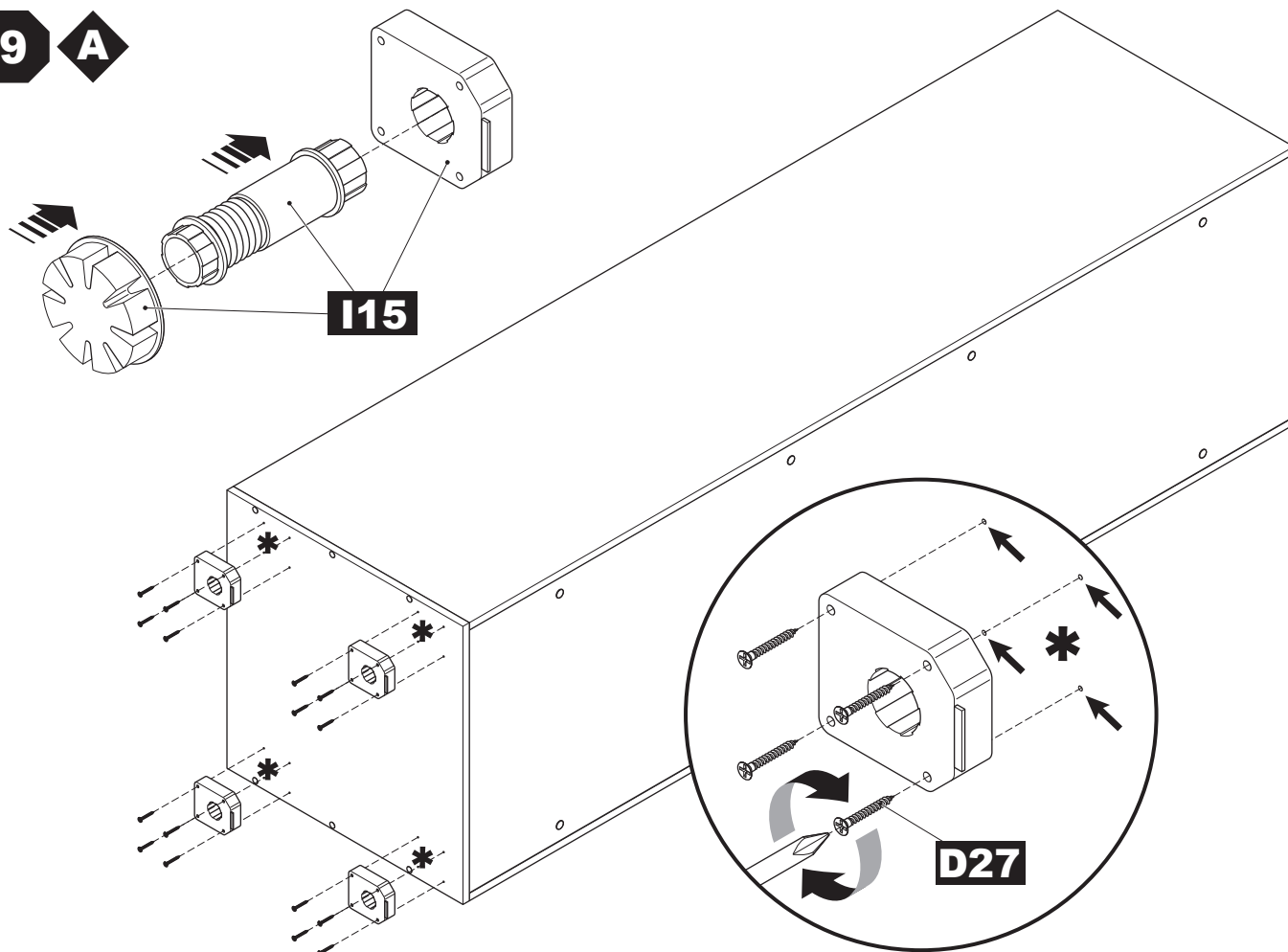


8 **A**

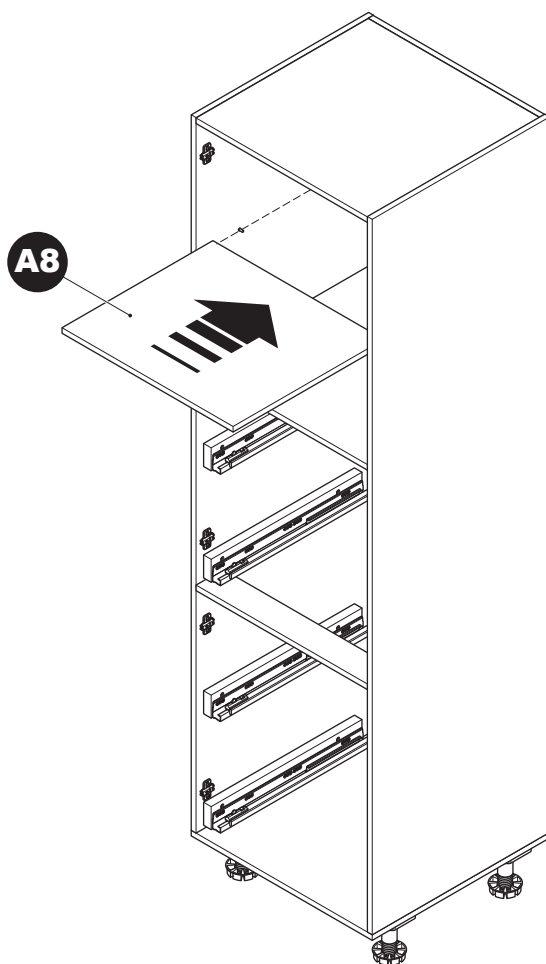


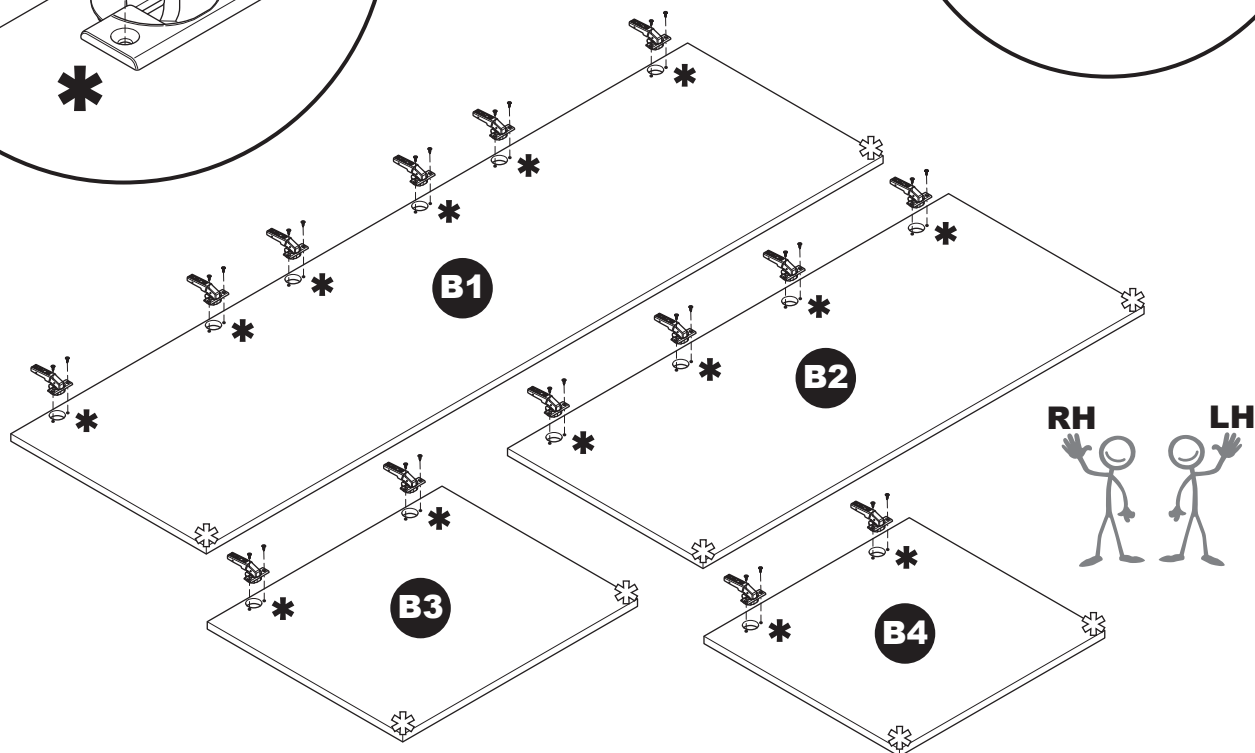
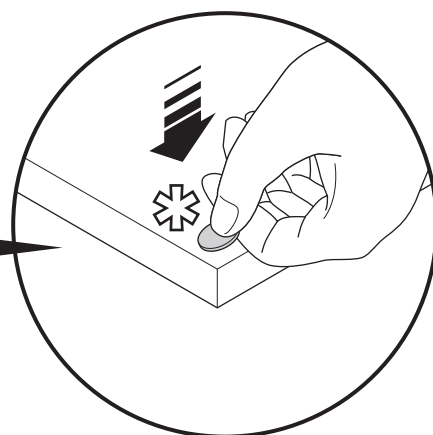
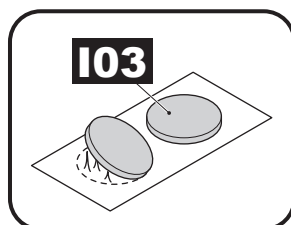
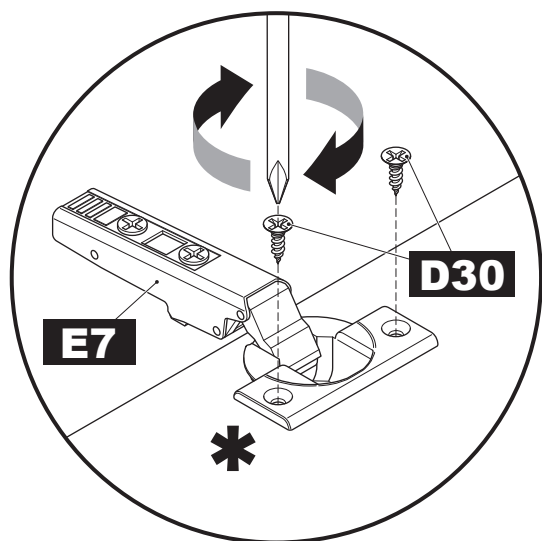
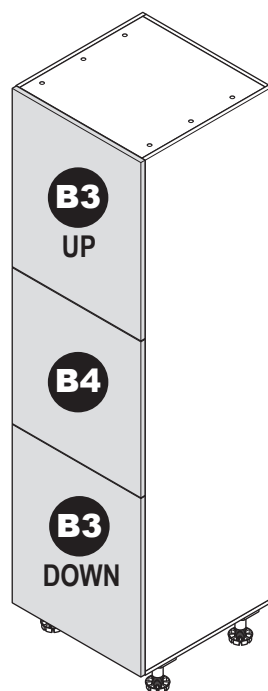
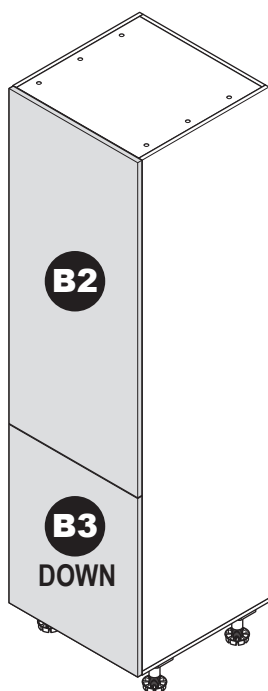
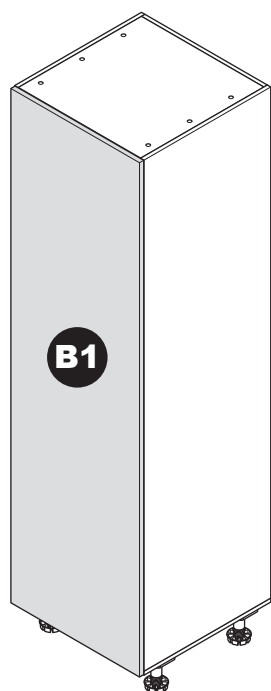
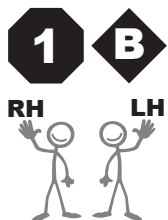


9 **A**



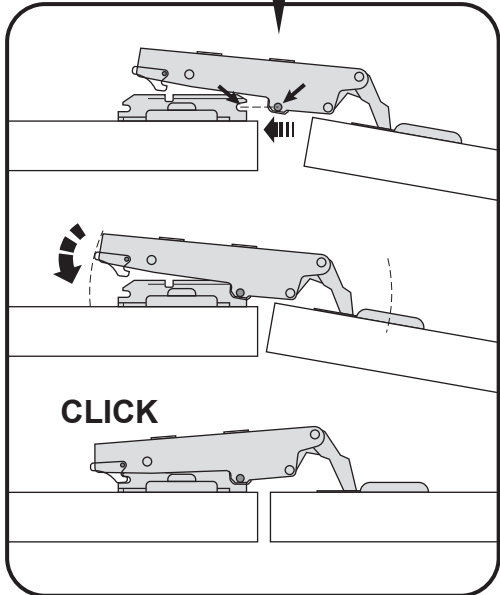
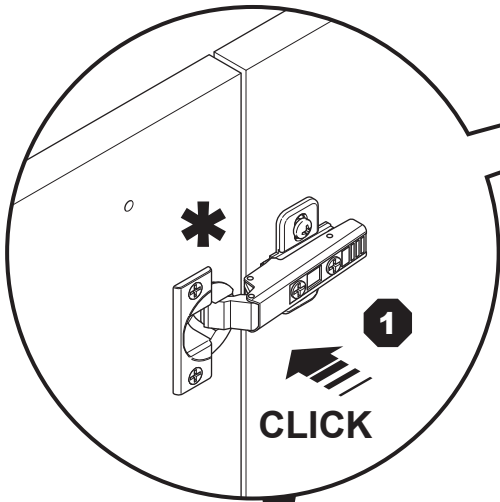
10 **A**



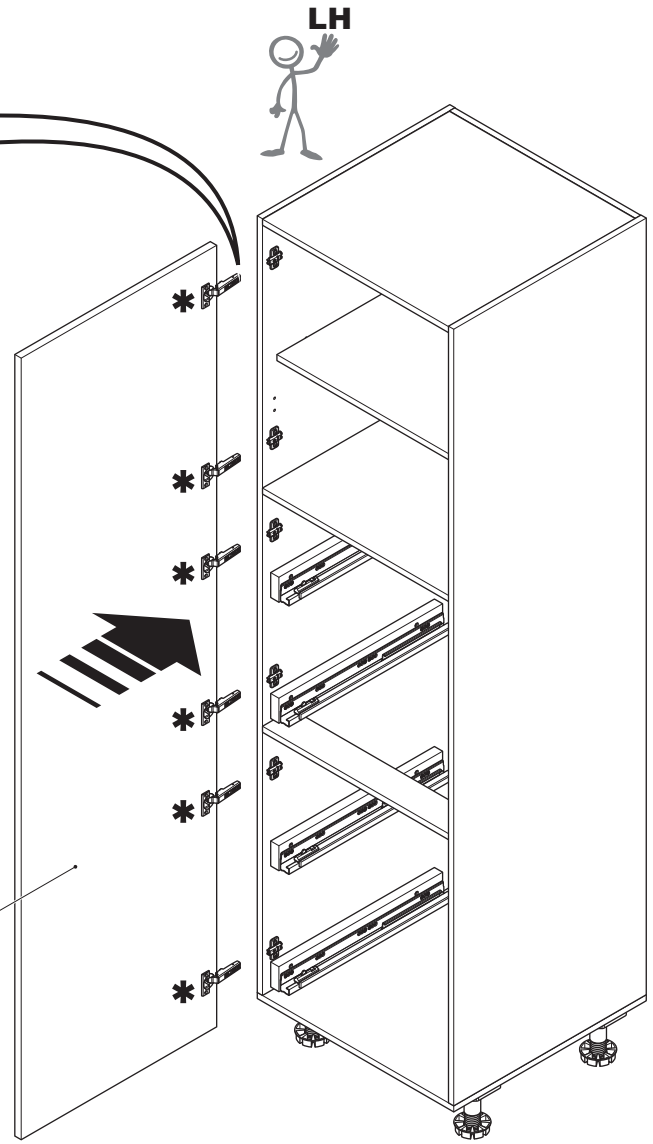




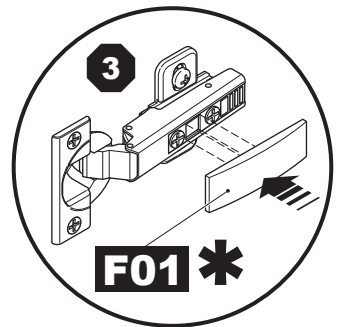
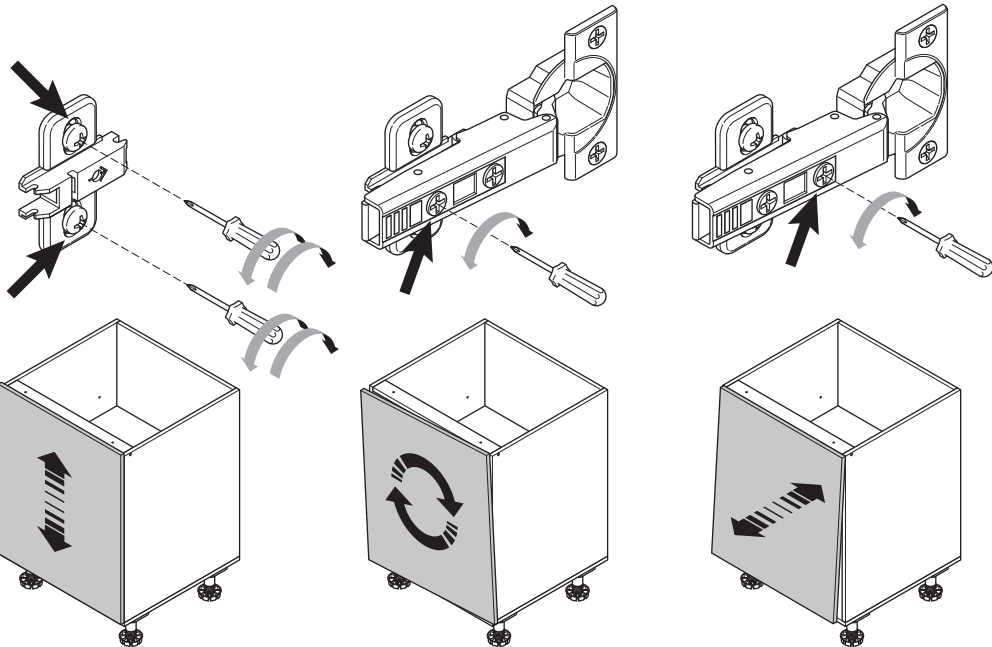
1 **A** **B**



B1

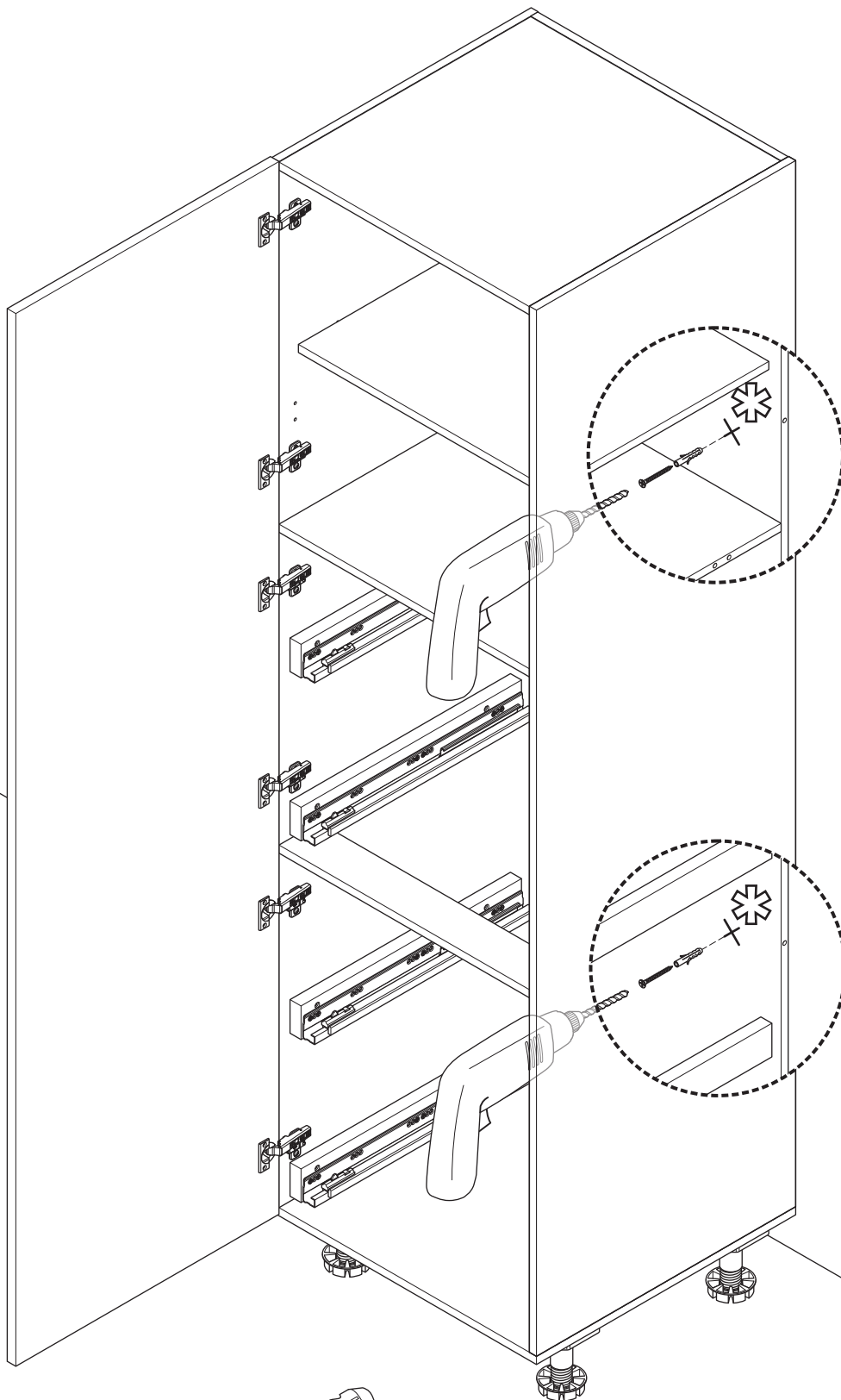


2





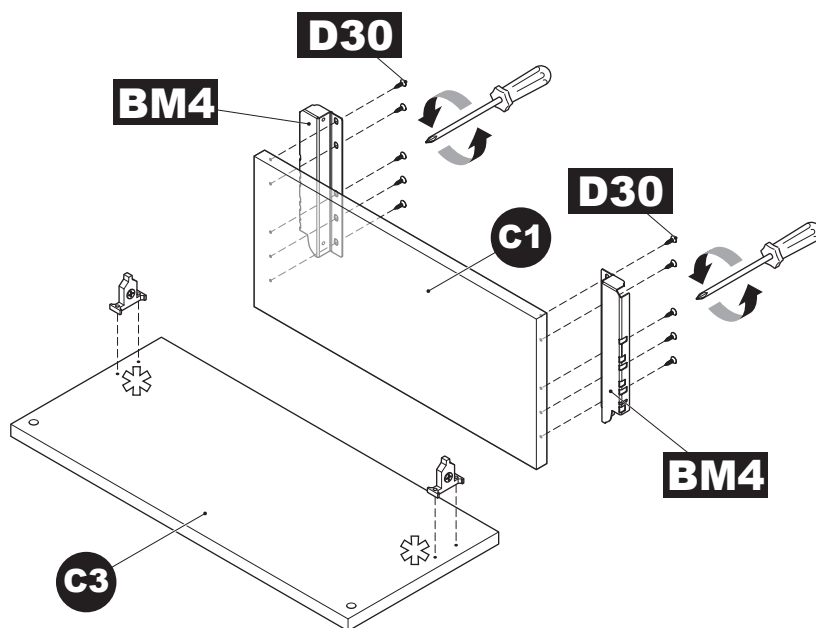
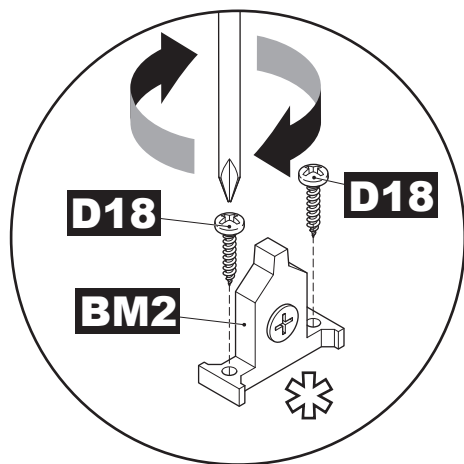
2 **A** **B**



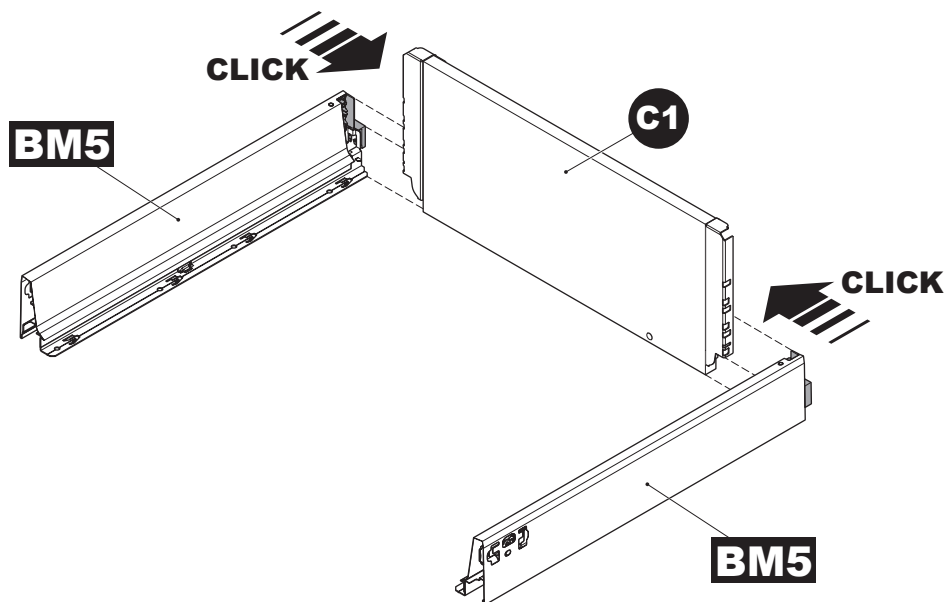
pc. 2



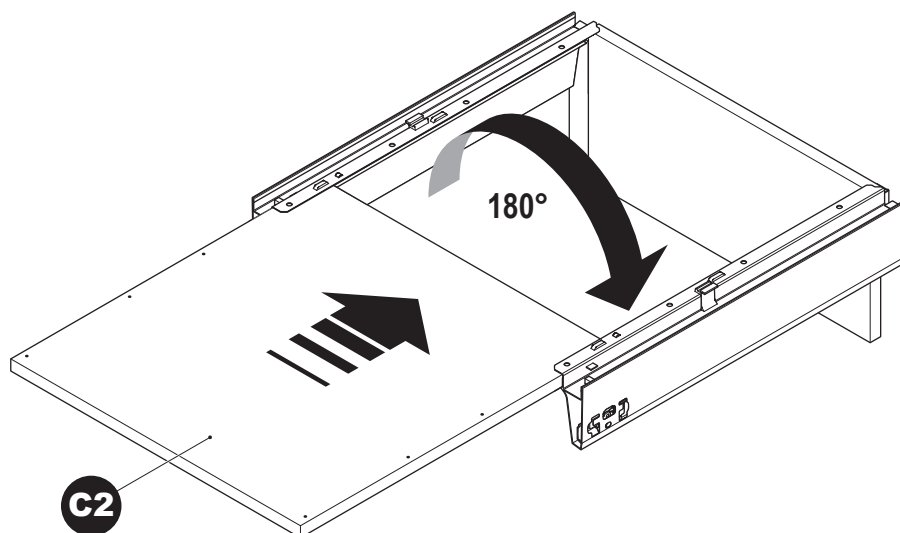
1 **C** x4



2 **C** x4

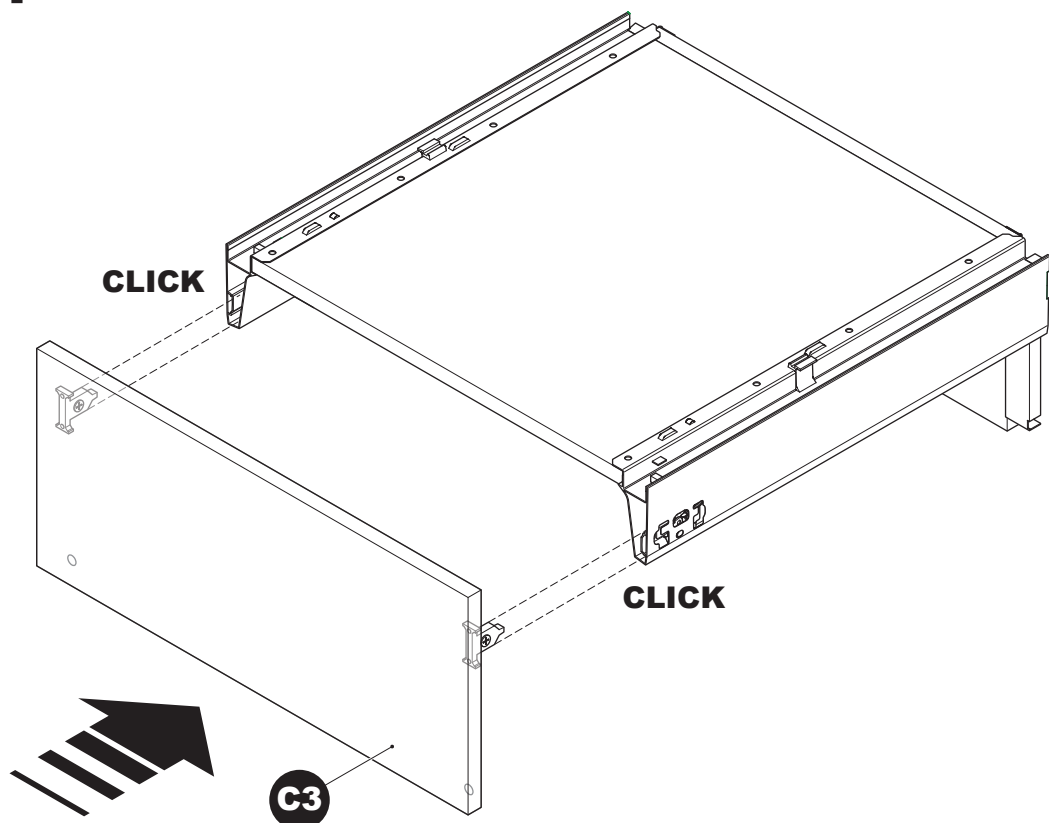


3 **C** x4

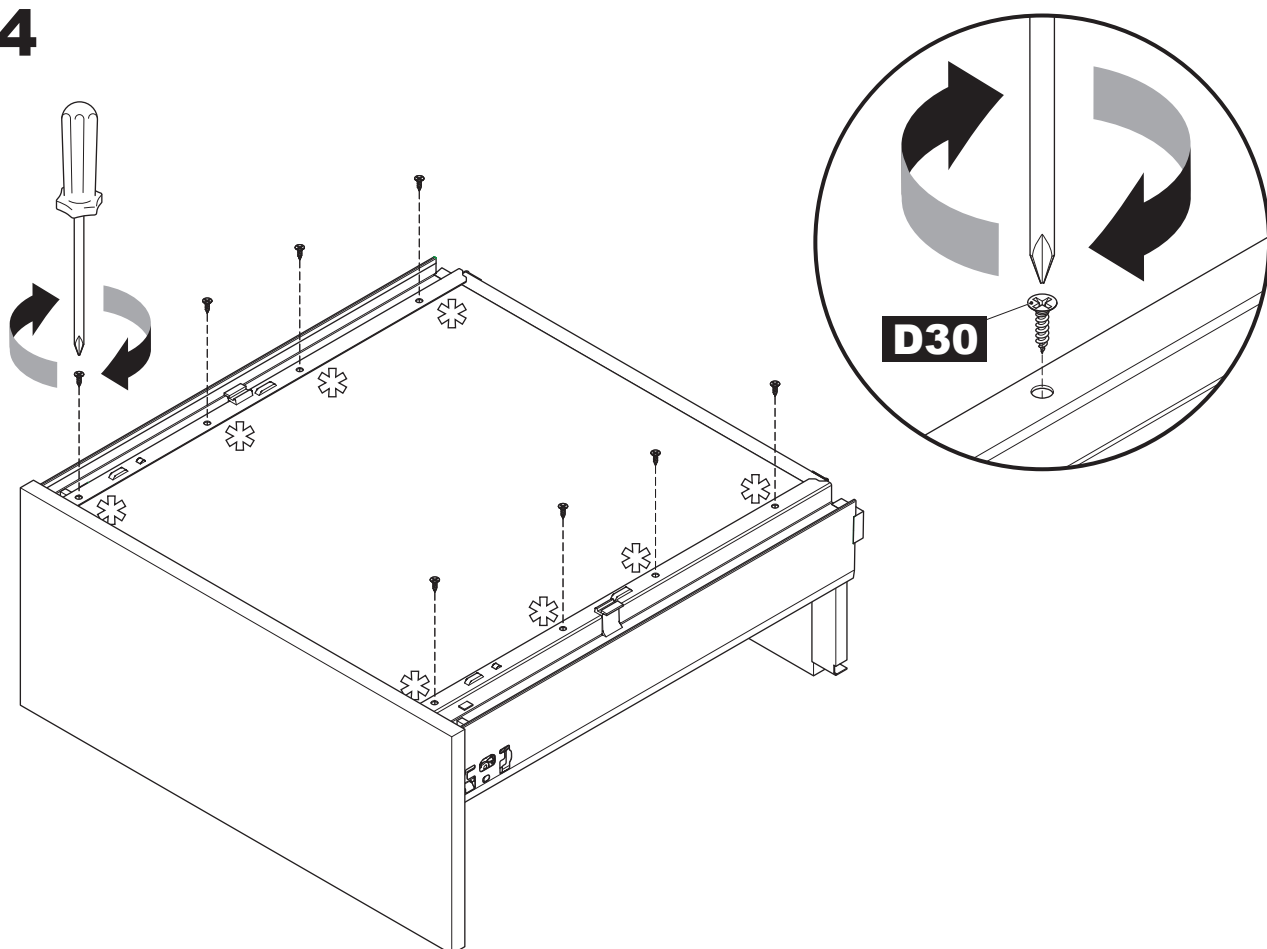




4 **C** x4

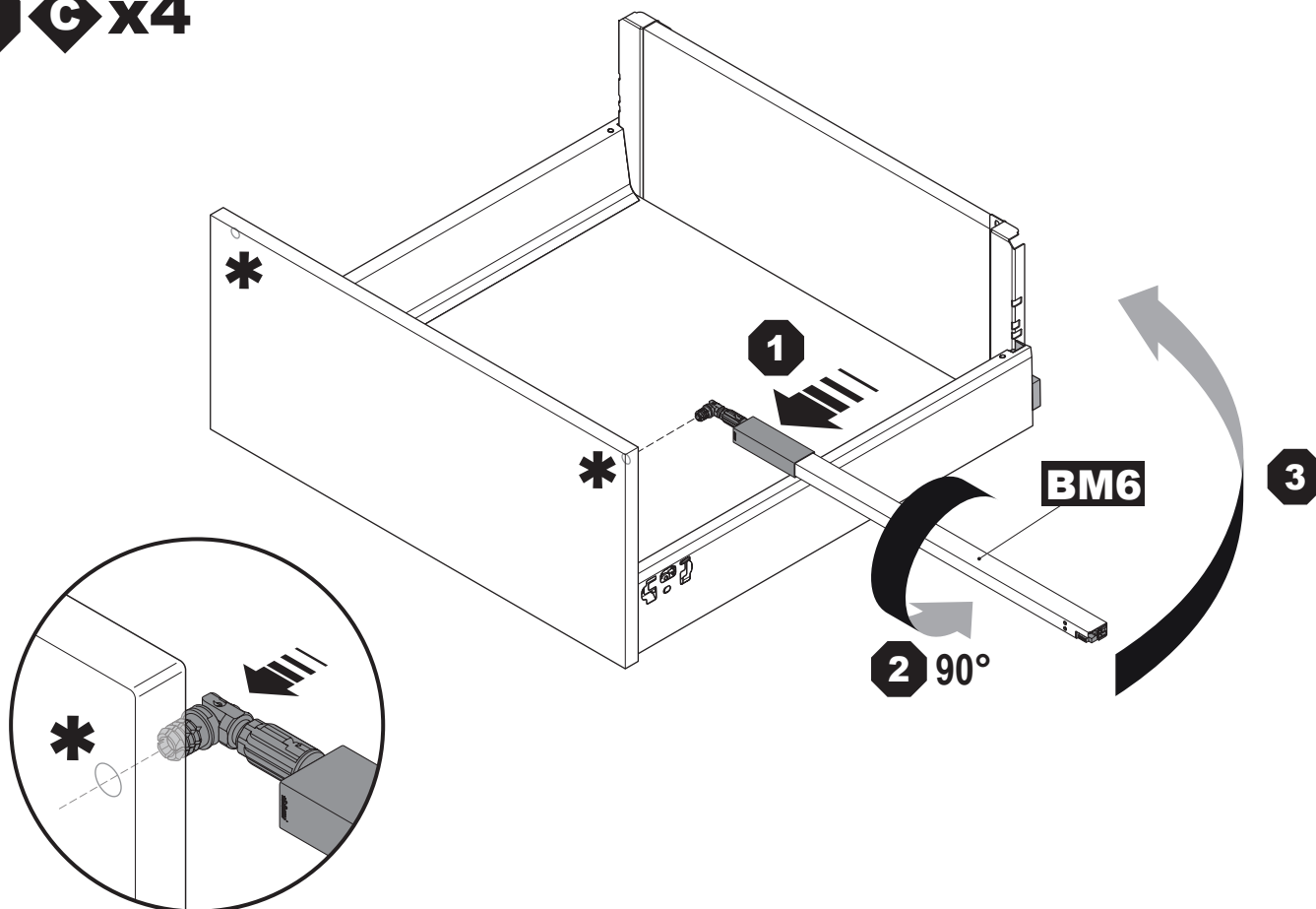


5 **C** x4

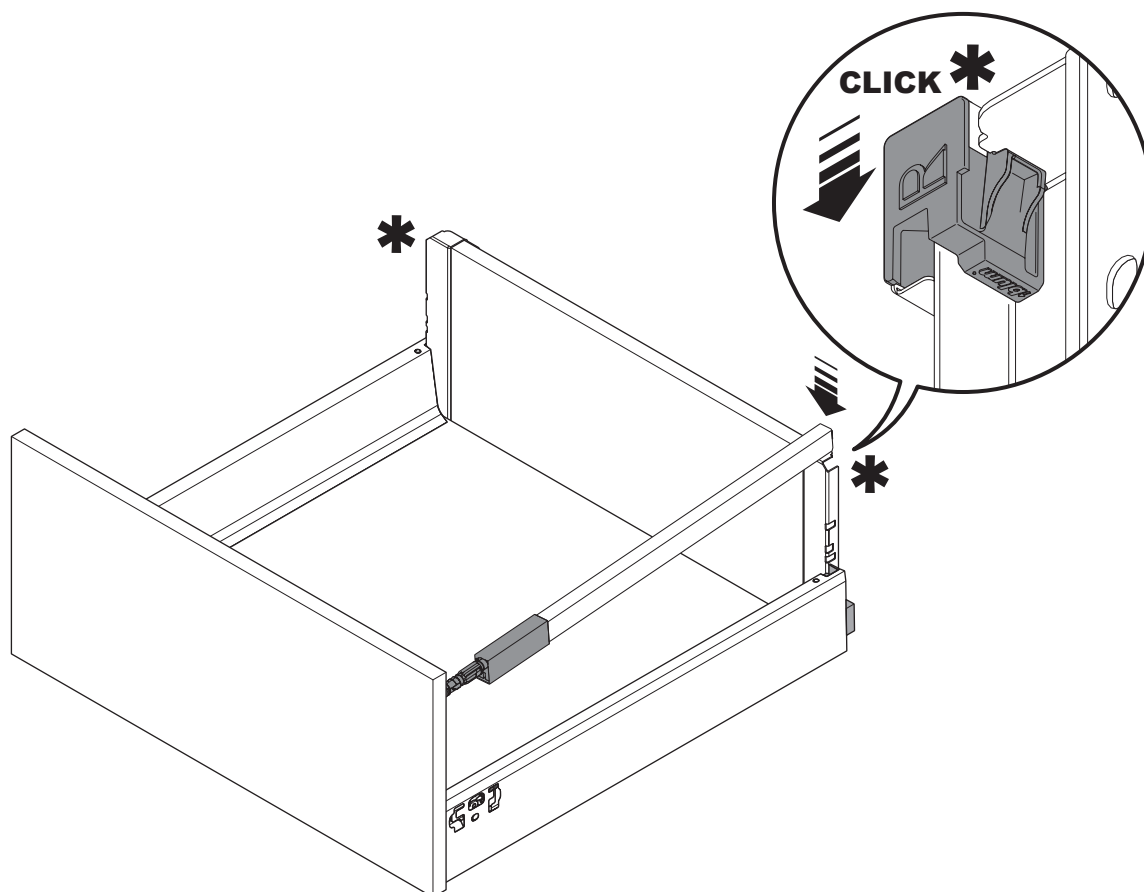




6 **C** x4

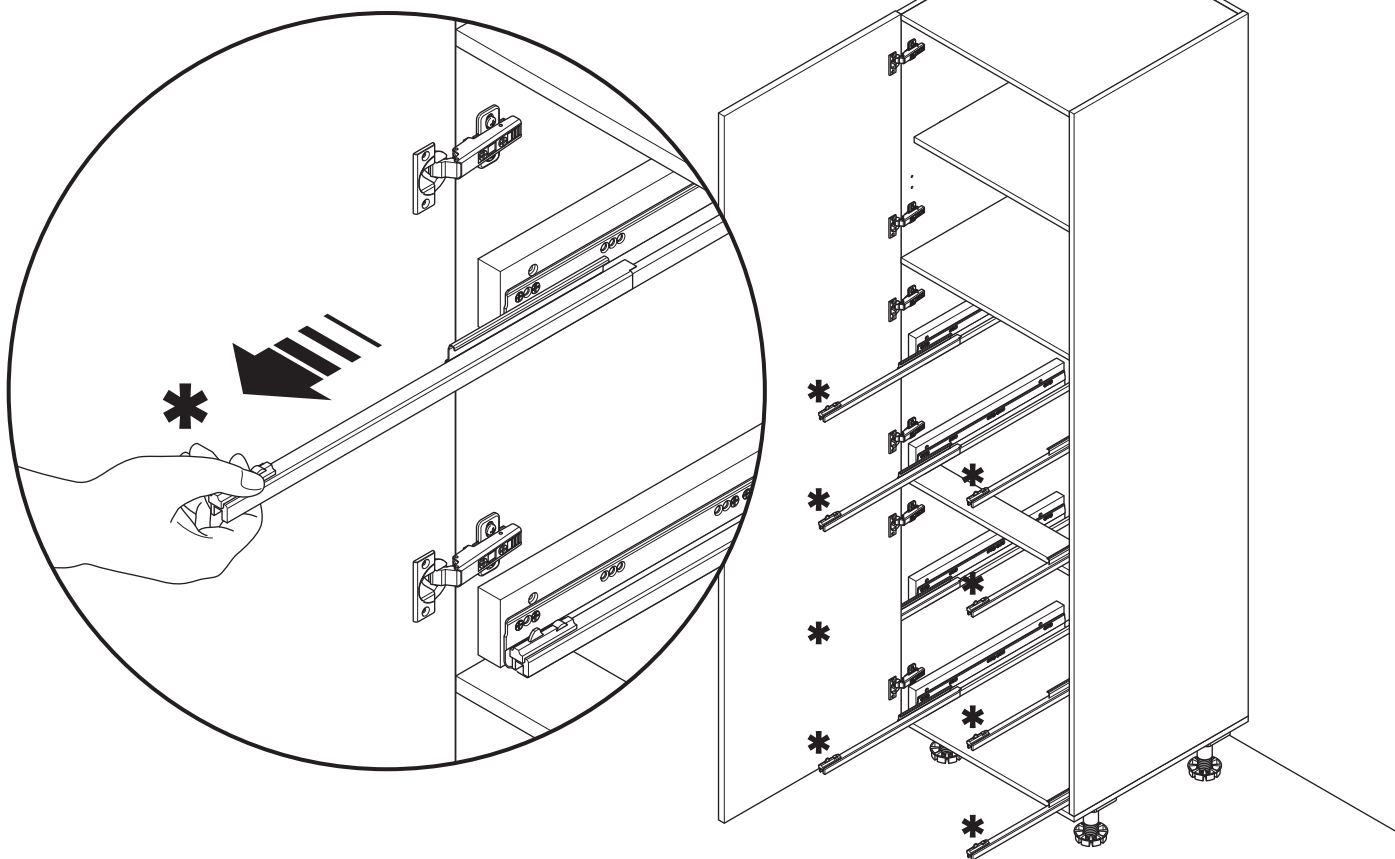


7 **C** x4

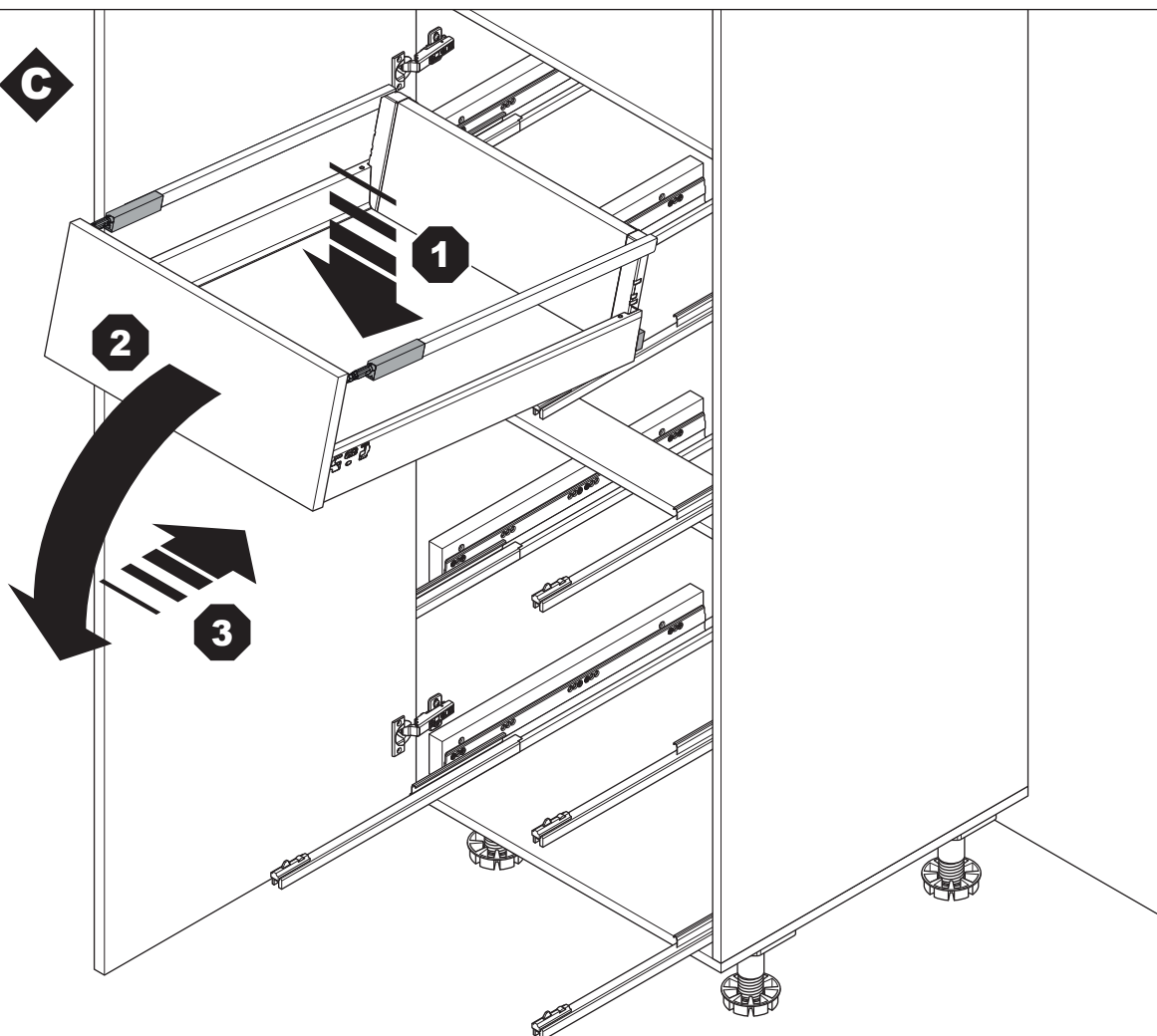




1 **A** **B** **C**

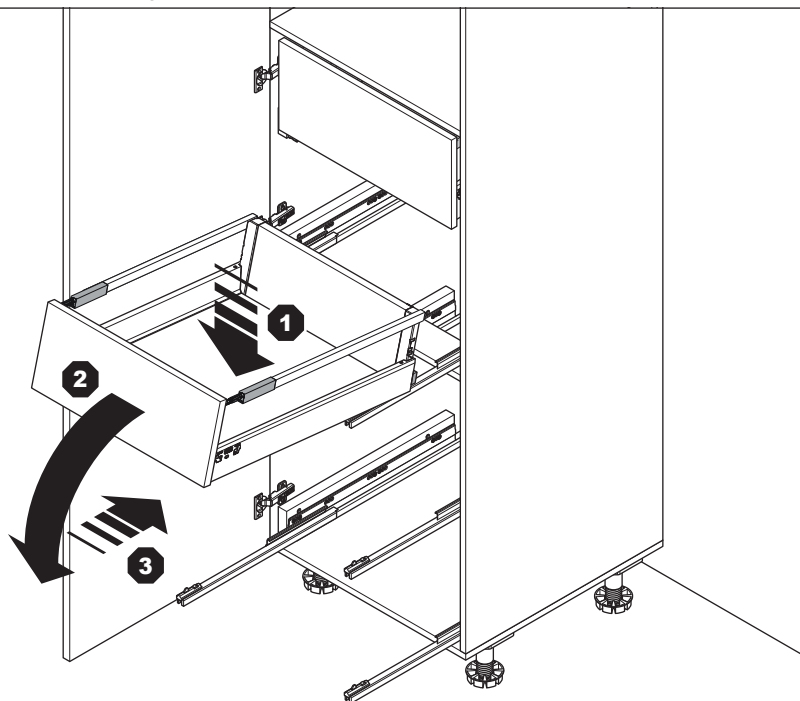


2 **A** **B** **C**

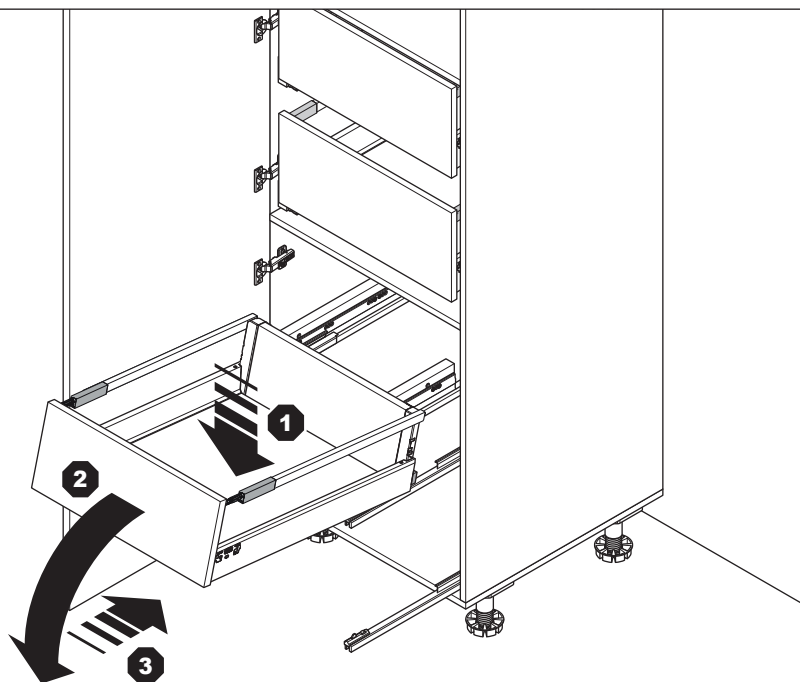




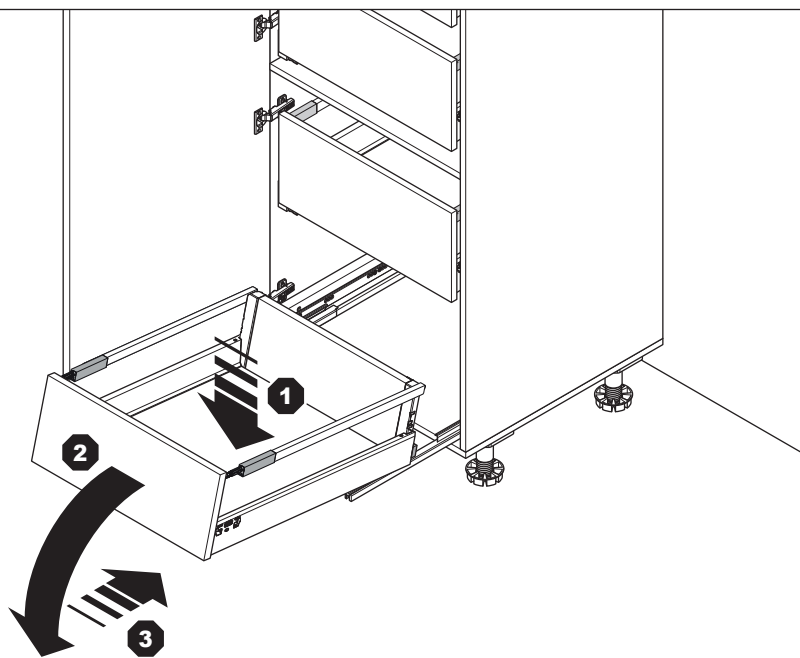
3 **A** **B** **C**



4 **A** **B** **C**

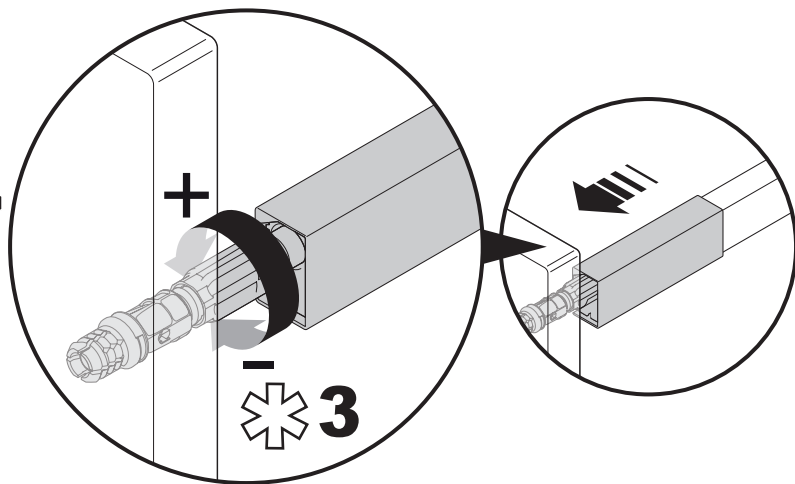
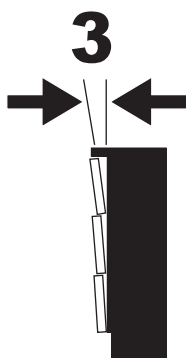
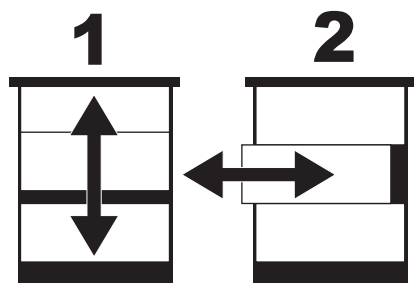
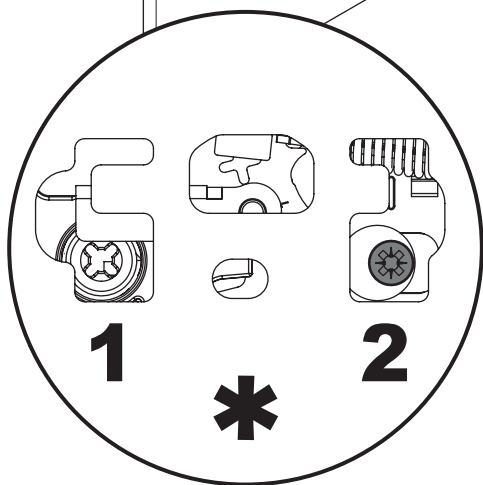
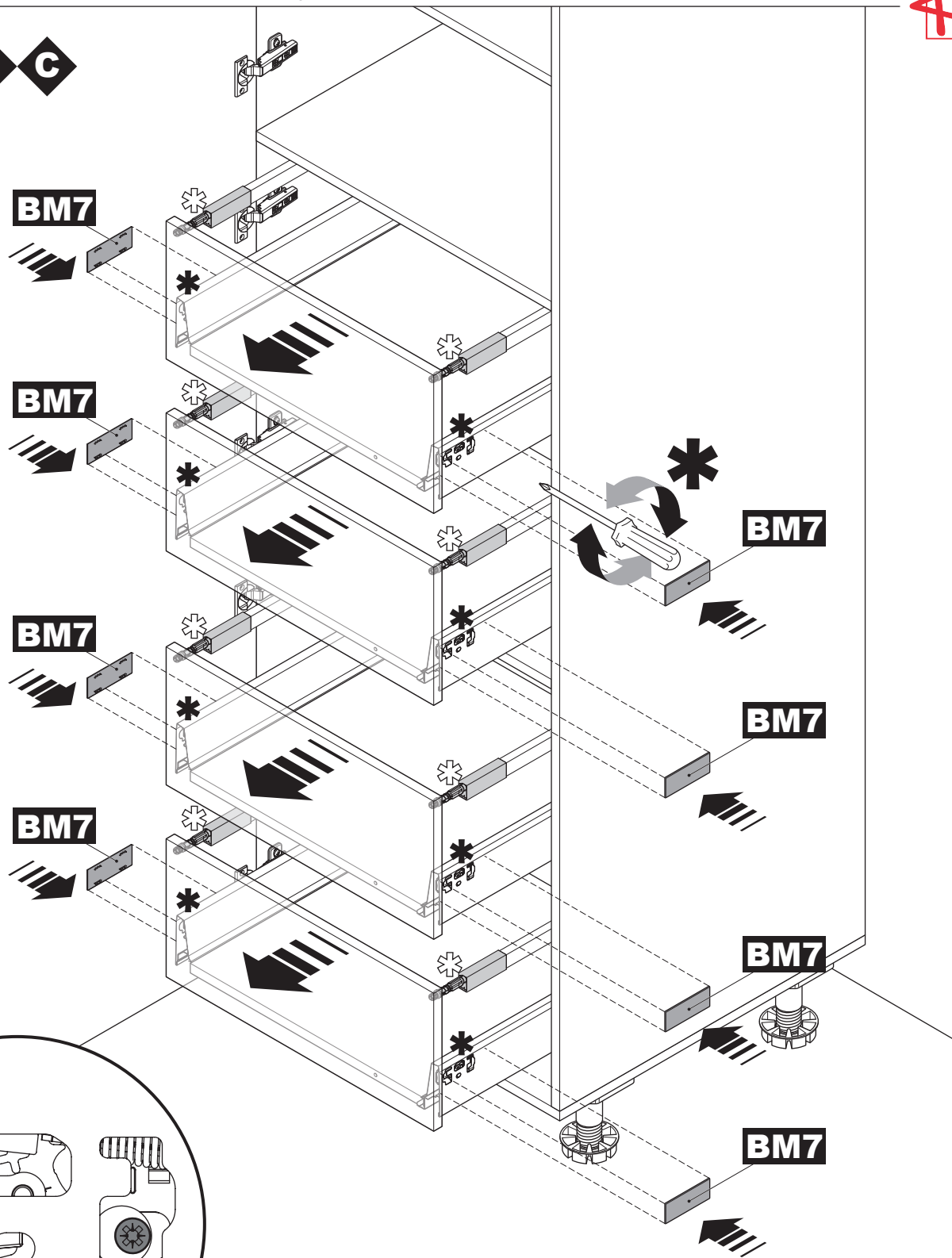


5 **A** **B** **C**



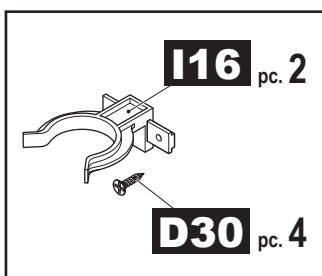
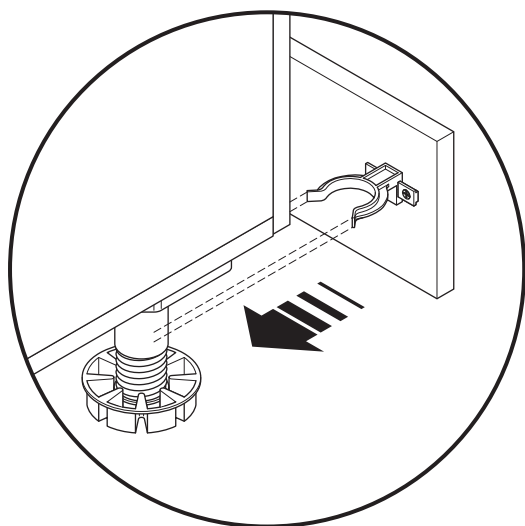
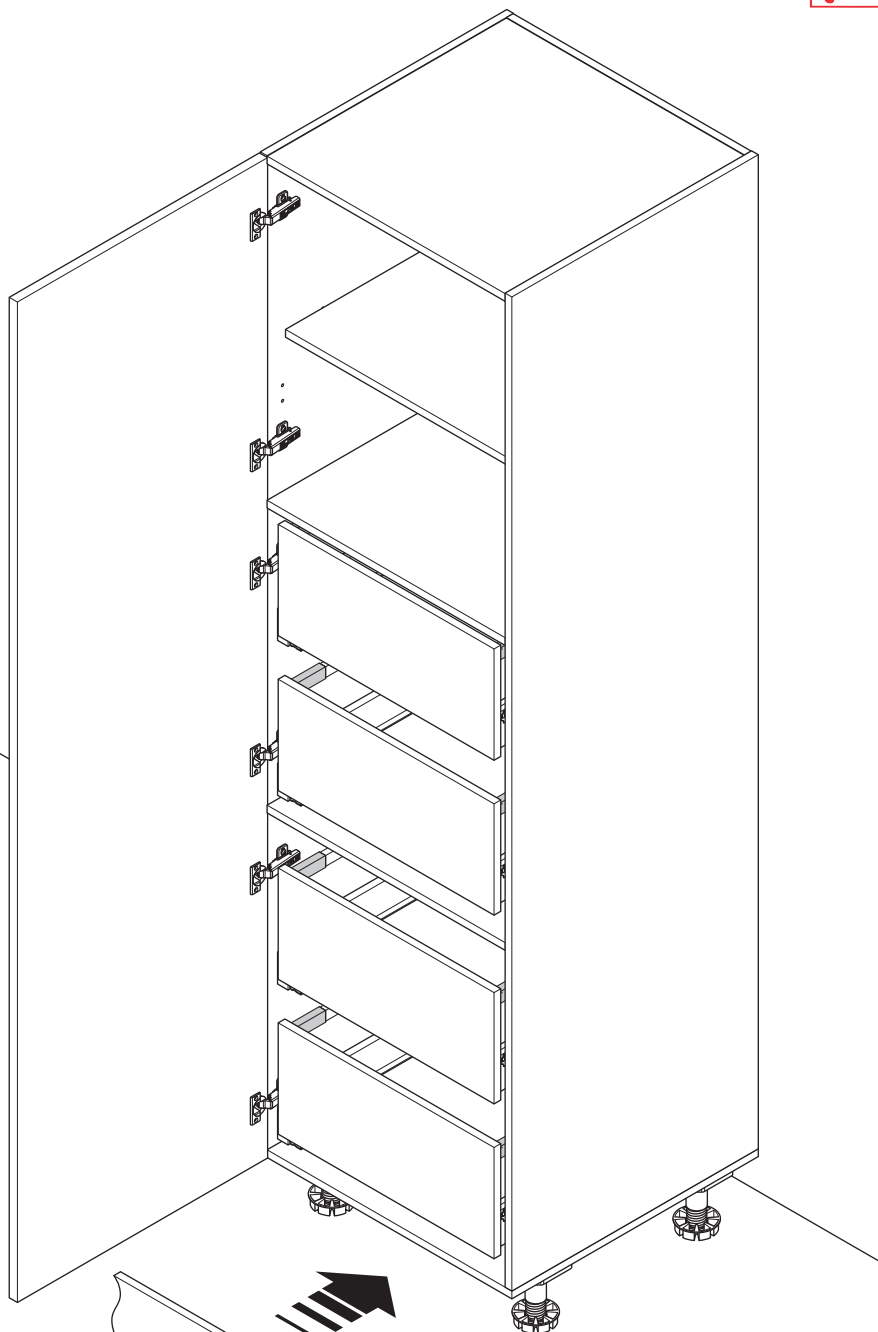


6 **A** **B** **C**





7 **A** **B** **C**





Kitchen Cabinets and Stones Limited