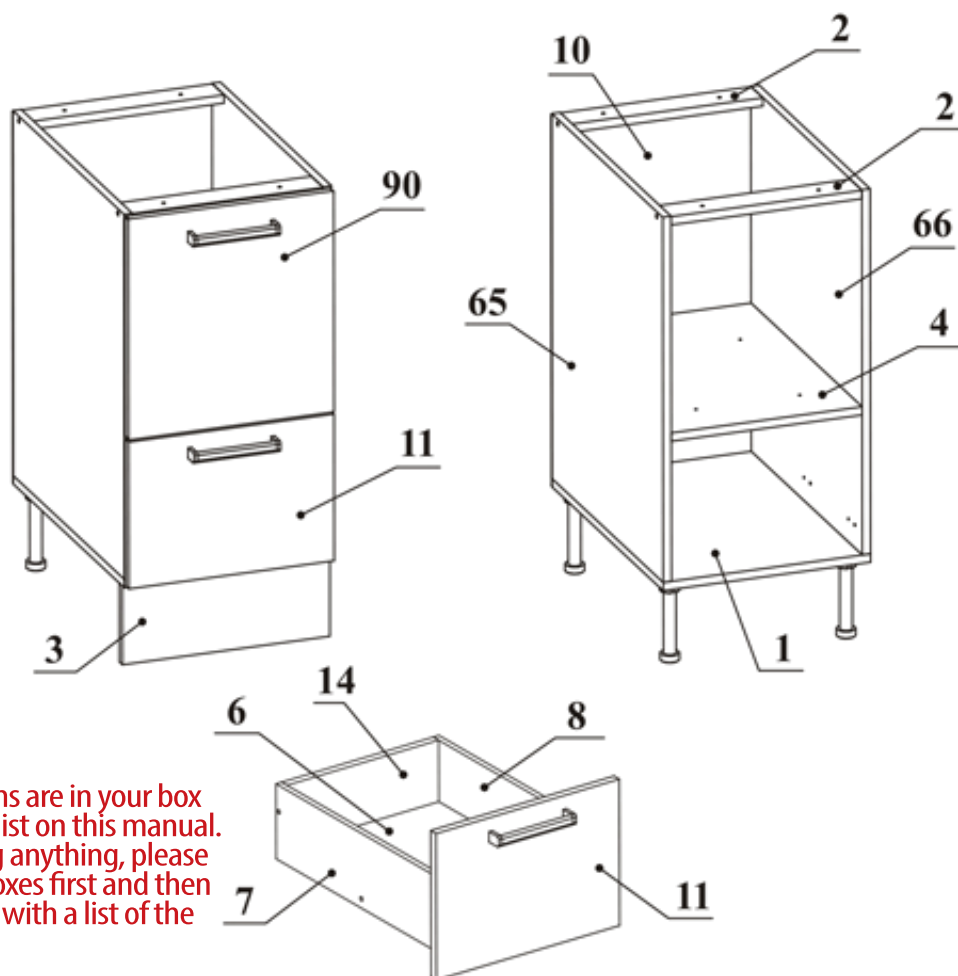
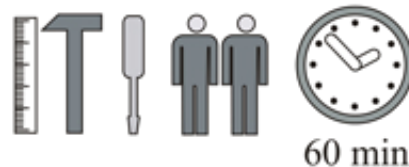
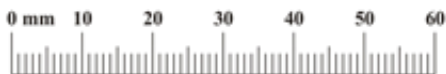


Assembly Instructions for cabinets: S40SZ1E-KO

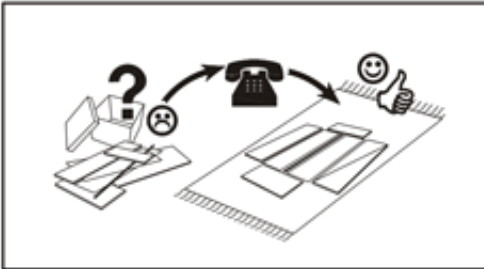


Check all the items are in your box according to the list on this manual. If you are missing anything, please check all other boxes first and then send us an email with a list of the parts you need.

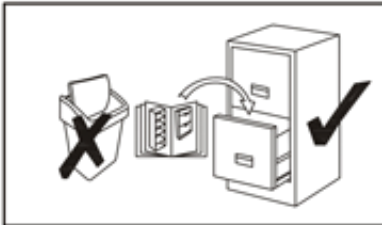


A1 X18  ø8x36	B4 X6 	B5 X4  ø15x12	B7 X2  ø15x10	G5 X6 	UP6 X4  UP04x30
H7 X1 	D14 X4  ES06.3x13	B11 X14  07x50	G4 X14 	D10 X24  US03.5x13	G2 X1 
B3 X23  01.4x25	I13 X4  L-150 mm.	I14 X2 	ZN X2 	D26 X4  M4x22	

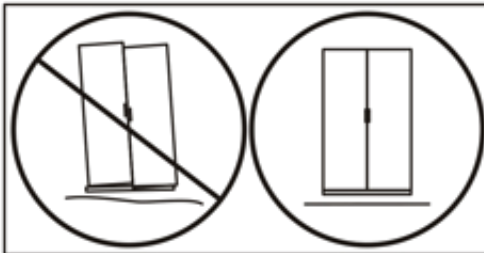
S40SZ1E-KO



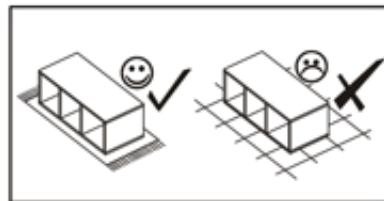
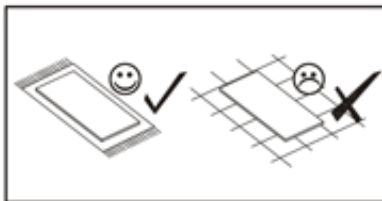
Check all the items are in your box according to the list on this manual. If you are missing anything, please check all other boxes first and then send us an email with a list of the parts you need.



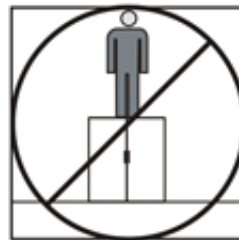
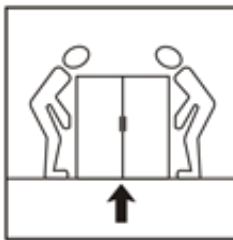
Keep your product assembly manual in a safe place until your kitchen is finished.



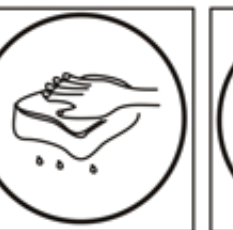
Be sure to assemble your cabinets on a flat surface and keep them straight and square.



Assemble your cabinets on a rug or a surface that will not scratch or damage them.



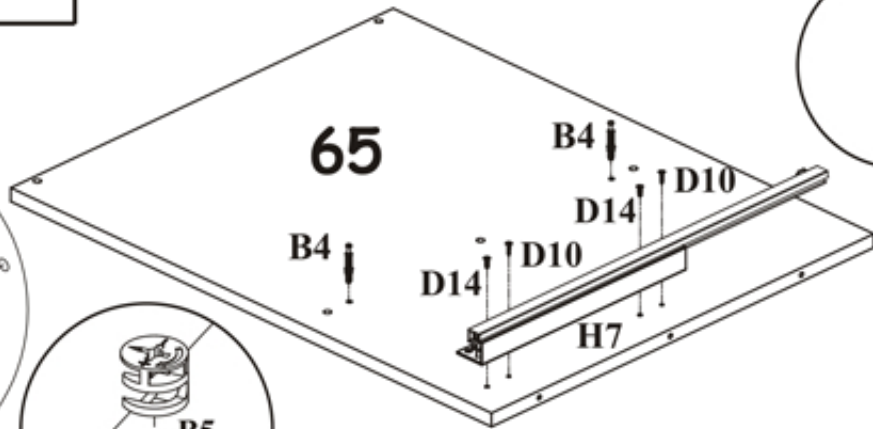
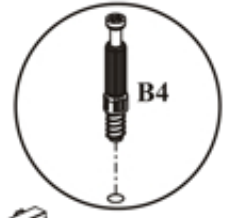
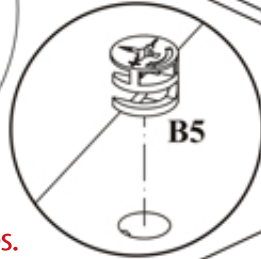
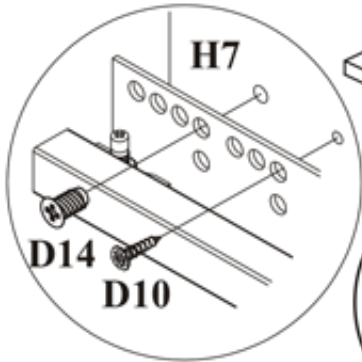
Do not push cabinets into place. Get someone to help you lift the cabinets into place, or you could risk damaging the feet.
Do not stand on the cabinets.



Once protective film on thermal wrap doors is removed, do not clean for 7 days. This allows the surface to harden. Only clean the cabinets with a small amount of warm water or non harsh chemicals.

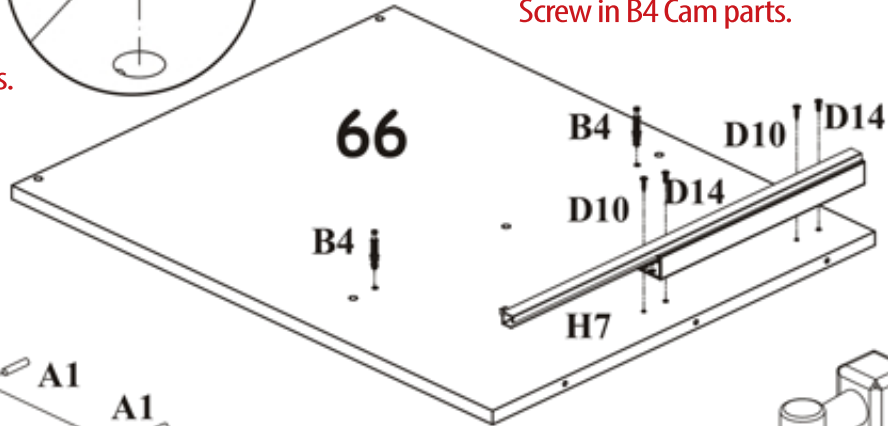
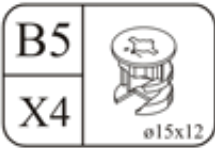
S40SZ1E-KO

1

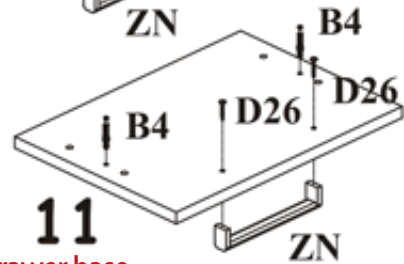
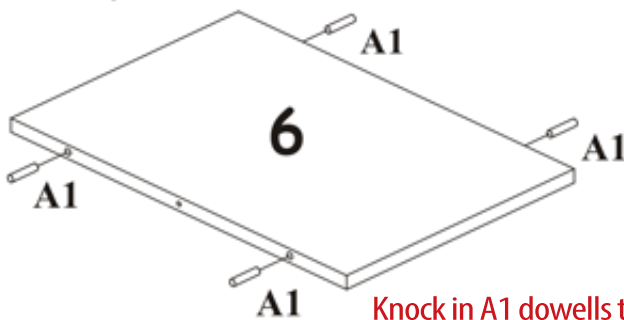
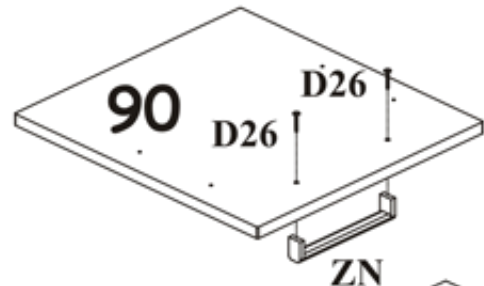
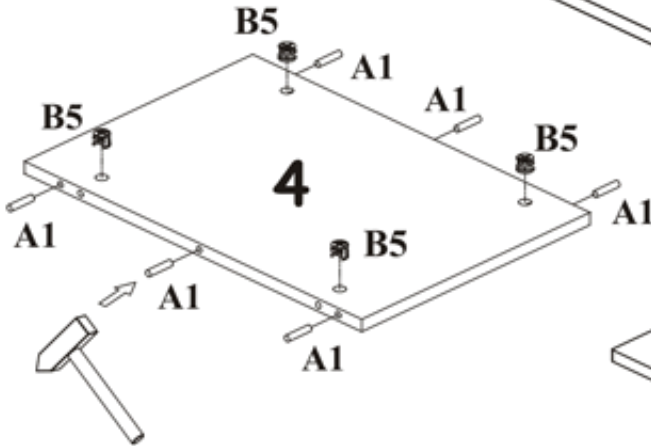
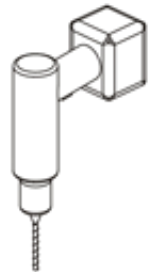


Attach runners with correct screws.
Screw in B4 Cam parts.

Push B5 Cam parts into holes.



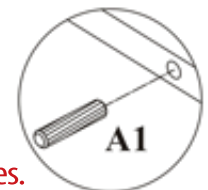
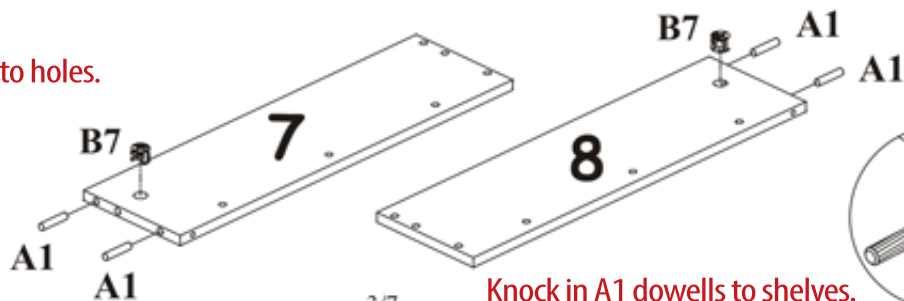
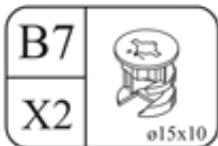
Drill through and attach handles.



Knock in A1 dowells to shelf and drawer base.

2

Push B5 Cam parts into holes.



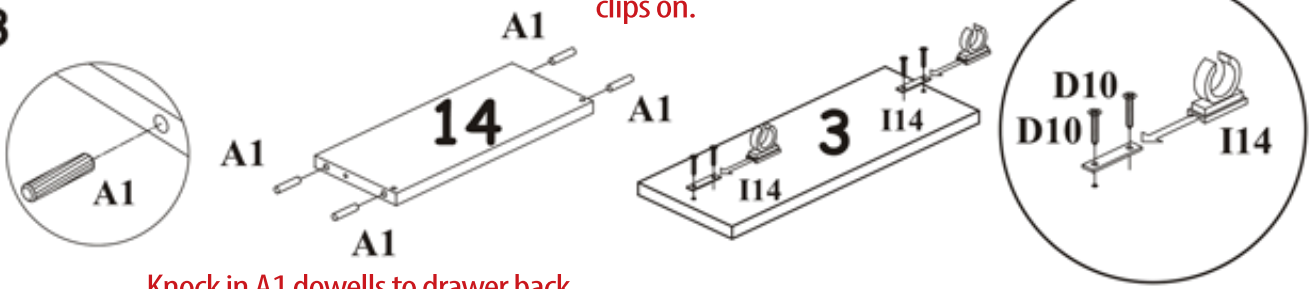
Knock in A1 dowells to shelves.

3/7

S40SZ1E-KO

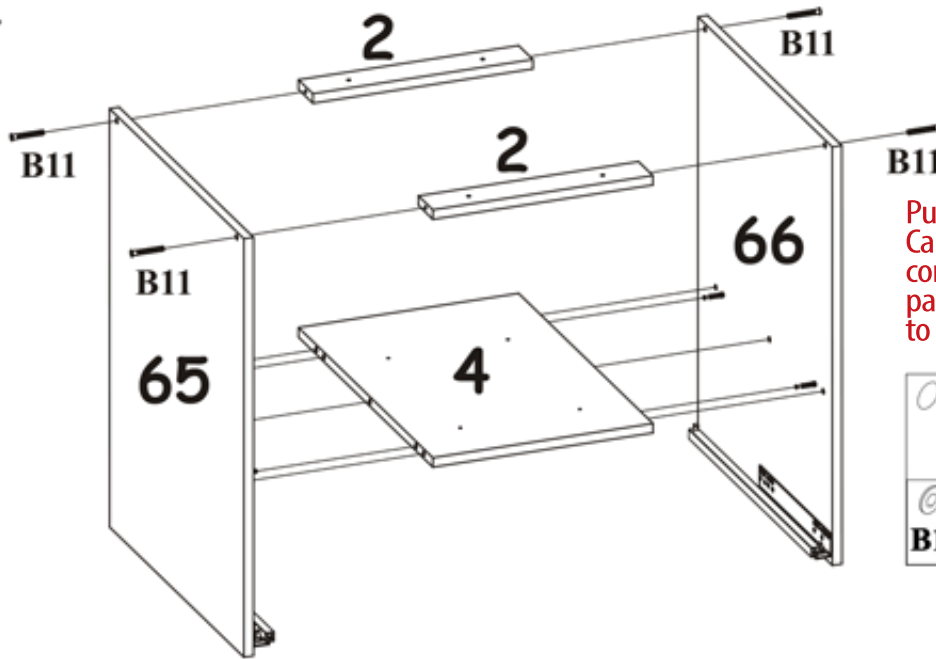
Screw on the toe kick clip brackets to line up with the cabinet feet and slide the clips on.

3

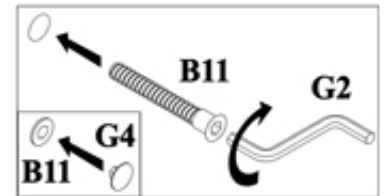


Knock in A1 dowells to drawer back.

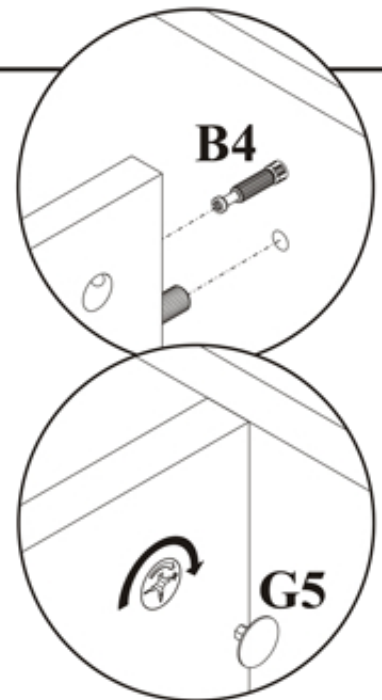
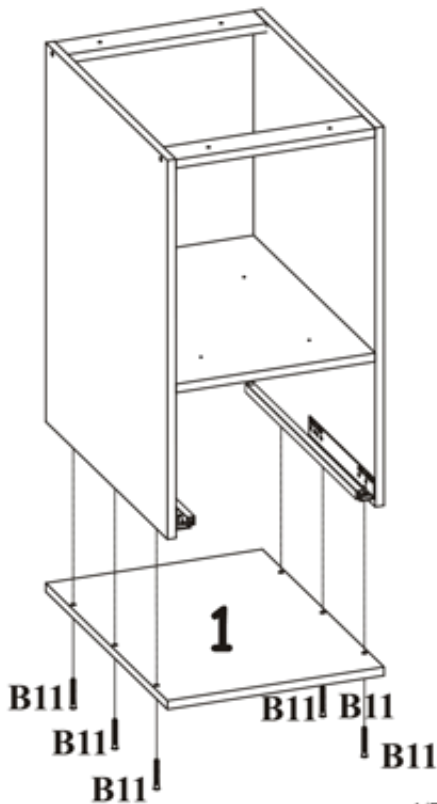
4



Push sides together so that the B4 Cam parts slide into the corresponding holes on the other panel. Now tighten G5 cam part to lock the Cam joint together.



5

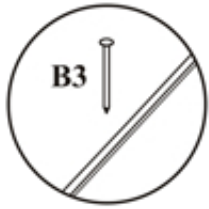


Screw together cabinet frame with B11 screws and allen key tool.

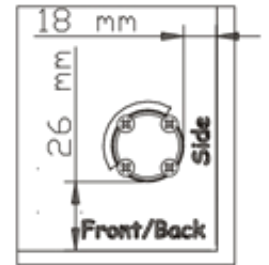
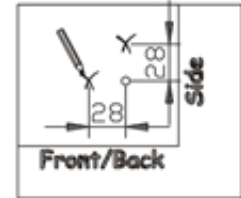
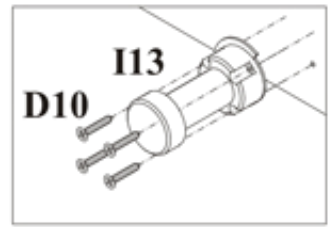
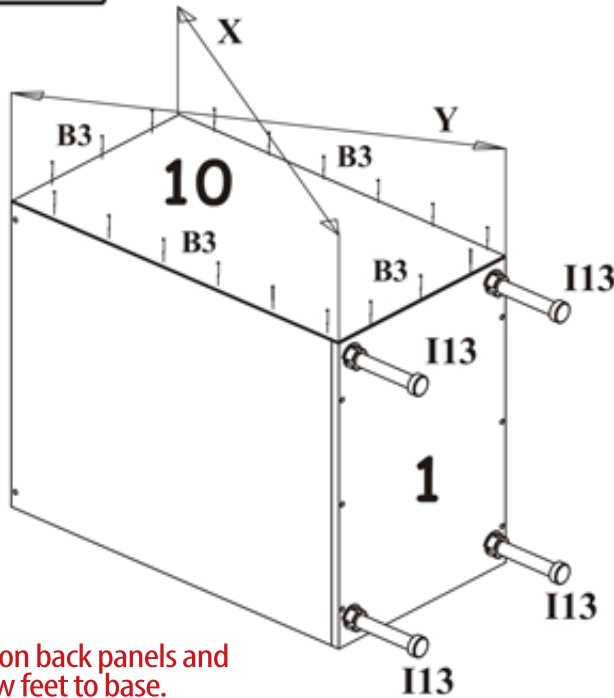
S40SZ1E-KO

6

$X=Y$ 90°

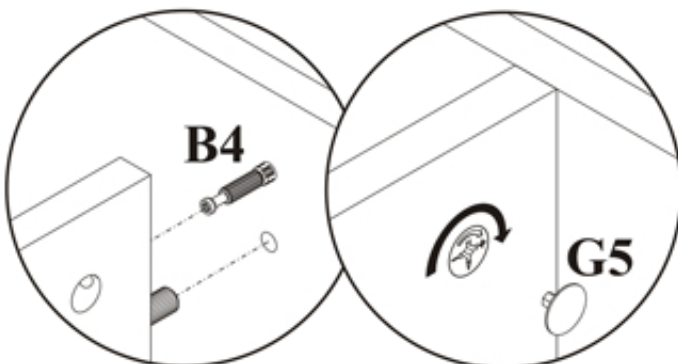
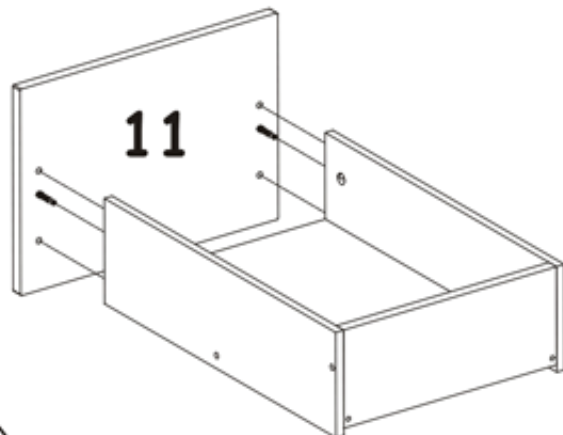
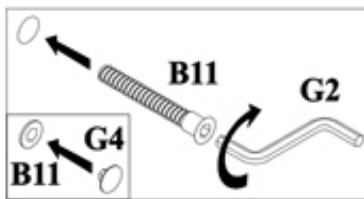
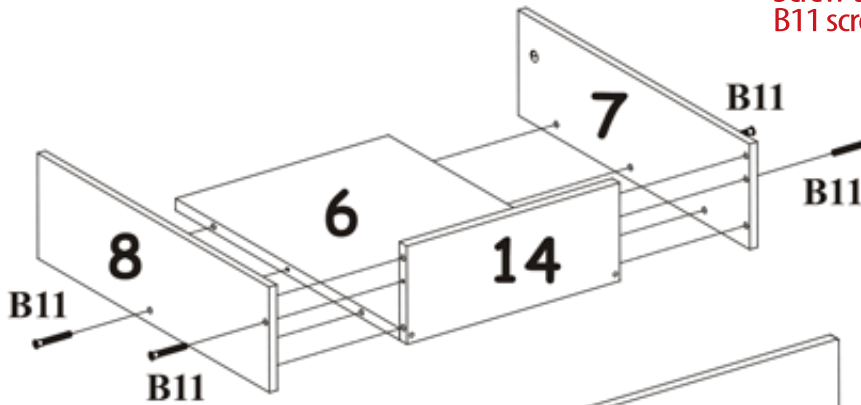


Nail on back panels and screw feet to base.



7

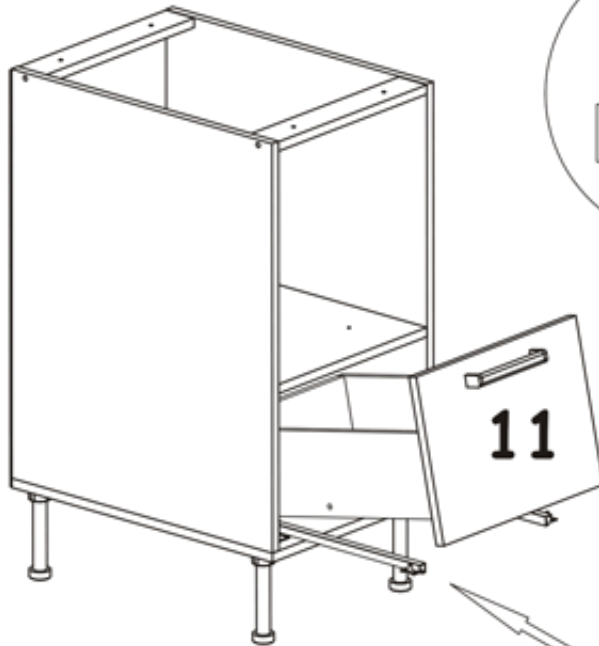
Screw together cabinet frame with B11 screws and allen key tool.



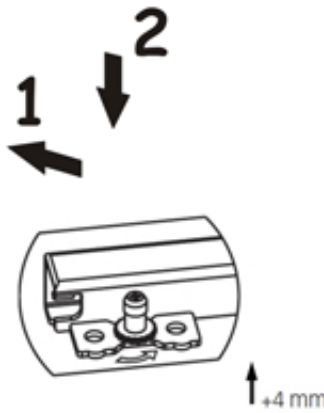
Push sides together so that the B4 Cam parts slide into the corresponding holes on the other panel. Now tighten G5 cam part to lock the Cam joint together.

S40SZ1E-KO

8

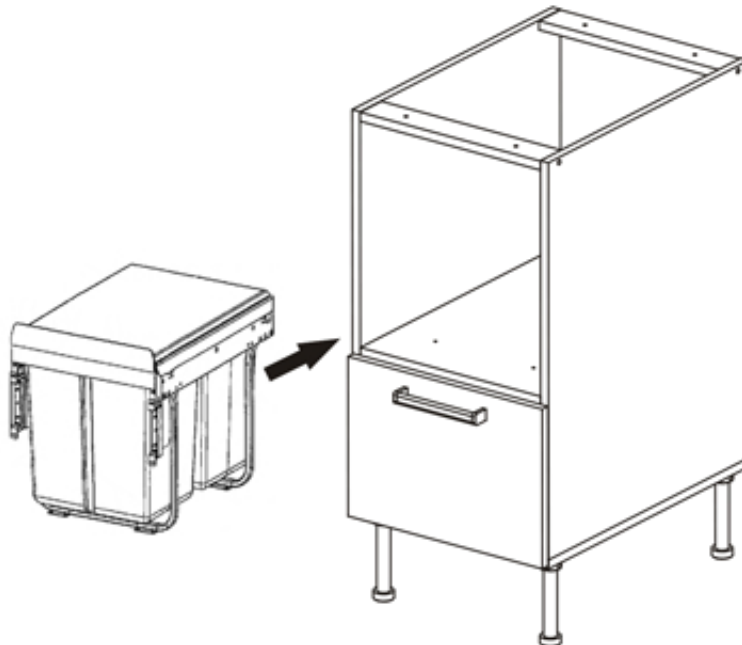


Pull drawer runners out to full extension. Lift draw into place, by first sliding the back of the drawer to the backs of the runners. Next push the front of the drawer down so that the peg on the drawer runner pushes up into the holes on the underside of the cabinet.



9

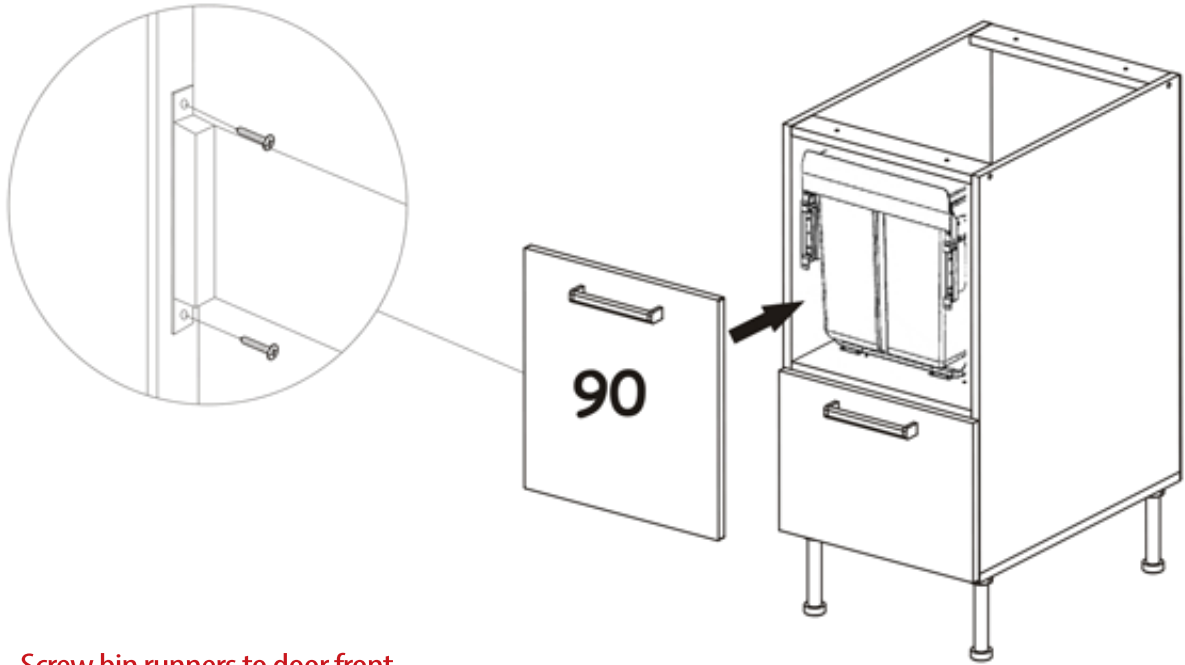
Install rubbish bin component.



See additional installation instructions

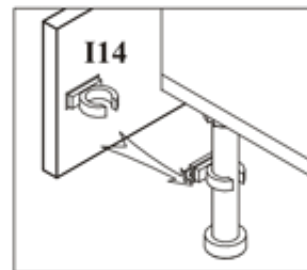
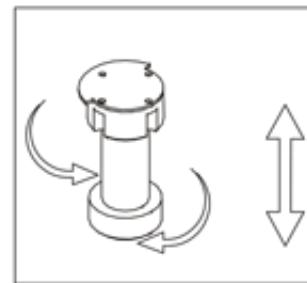
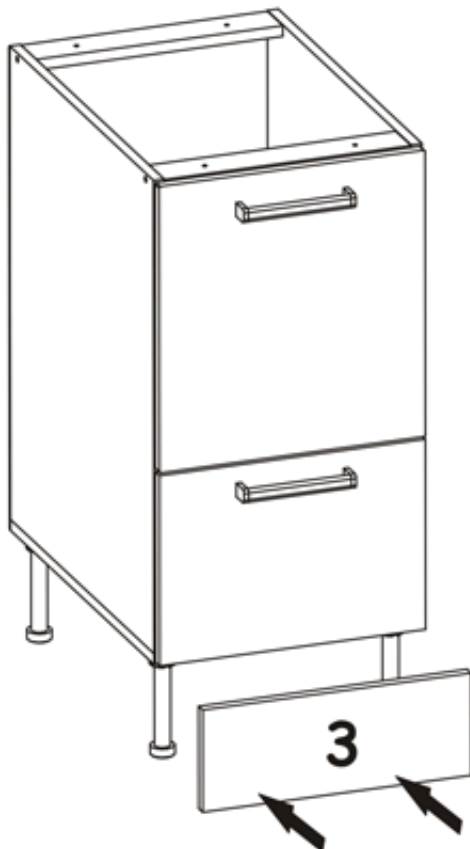
S40SZ1E-KO

10



Screw bin runners to door front.

11



Adjust the feet to make the cabinet top level, then clip the toe kick into place.