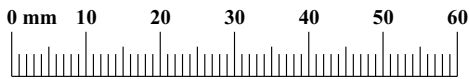
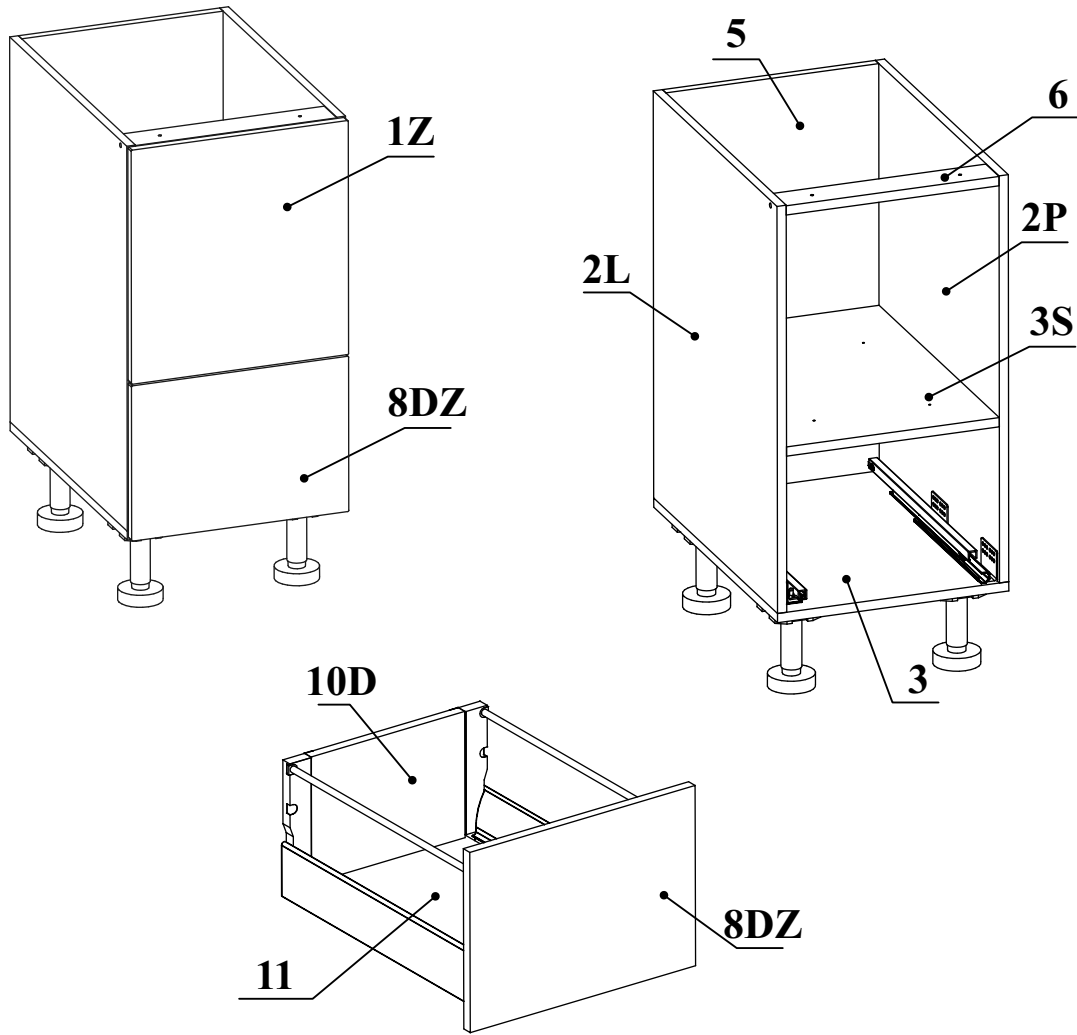
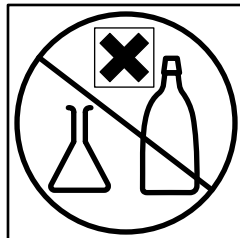
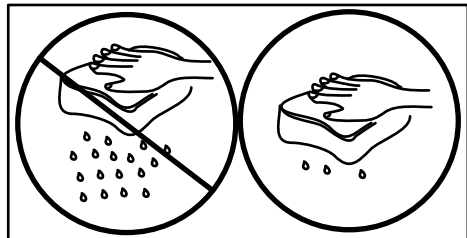
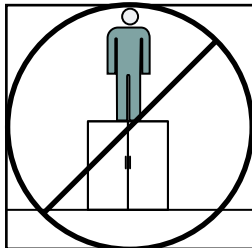
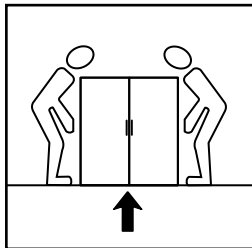
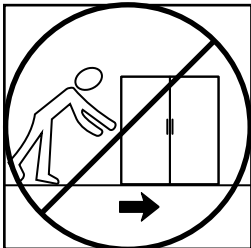
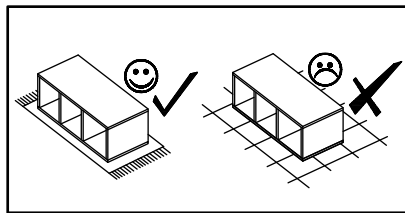
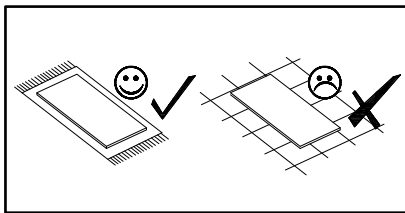
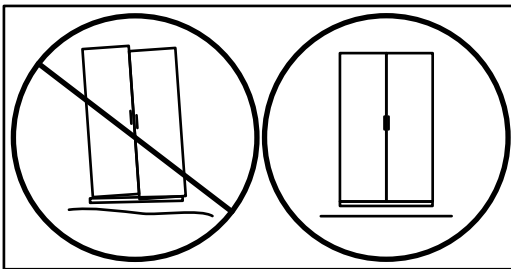
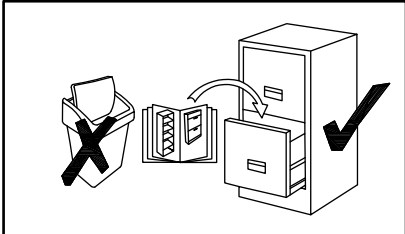


EURO

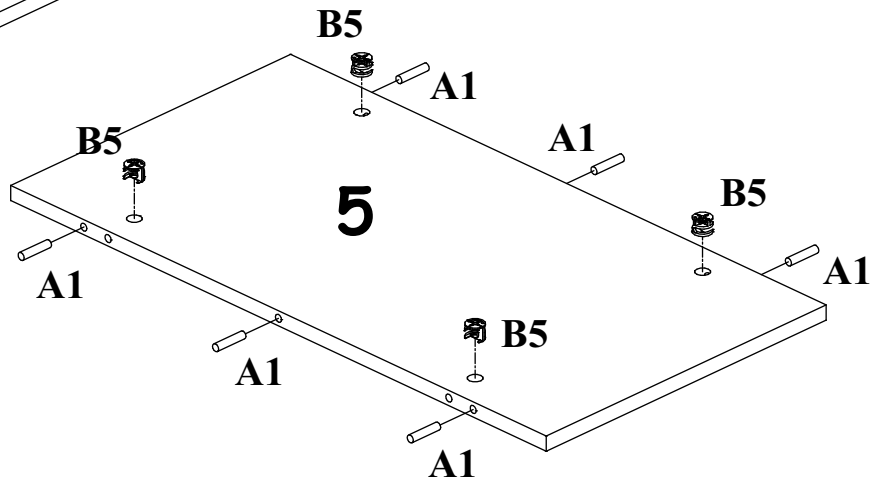
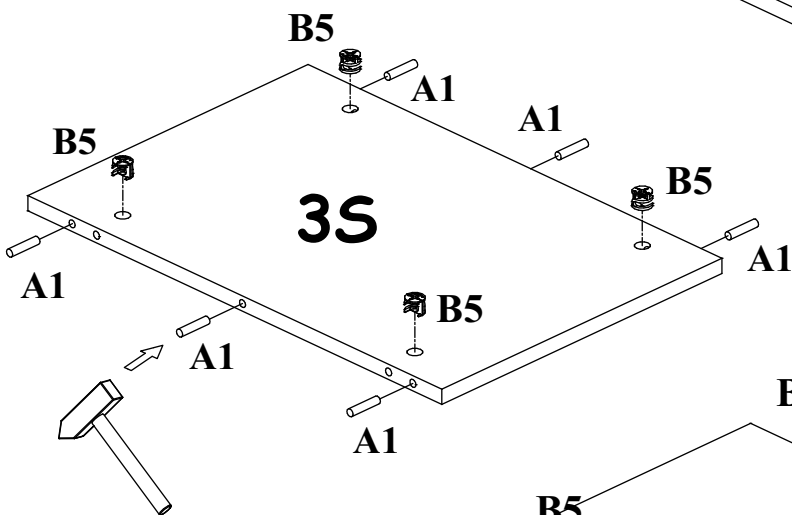
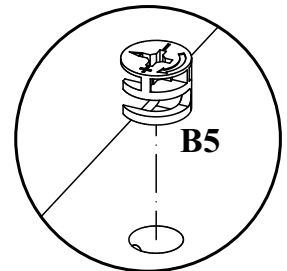
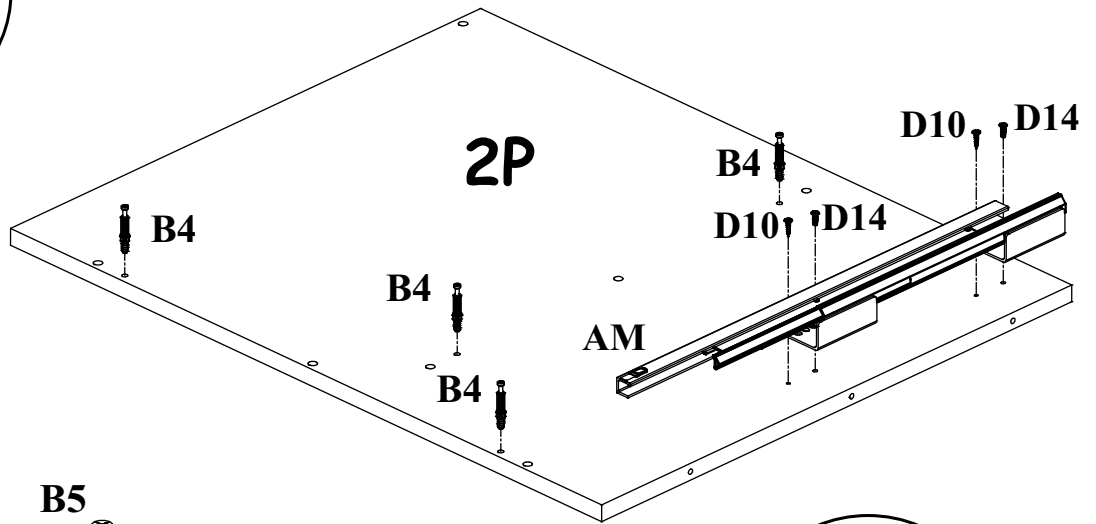
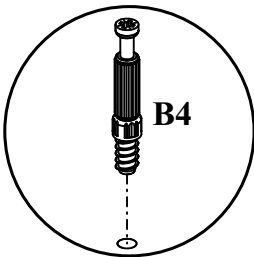
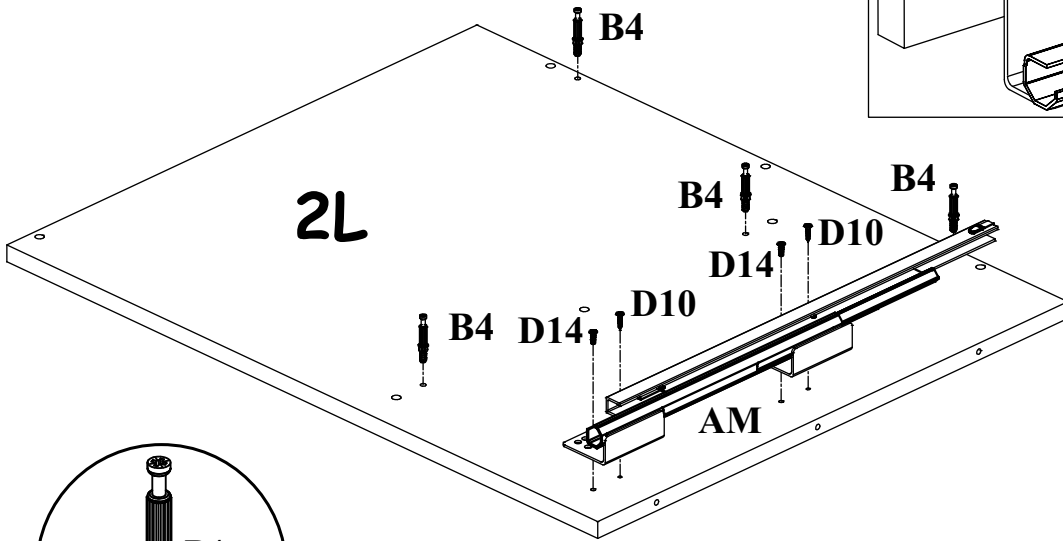
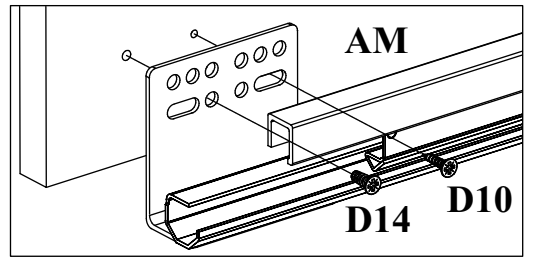
S40SZ1A-KO



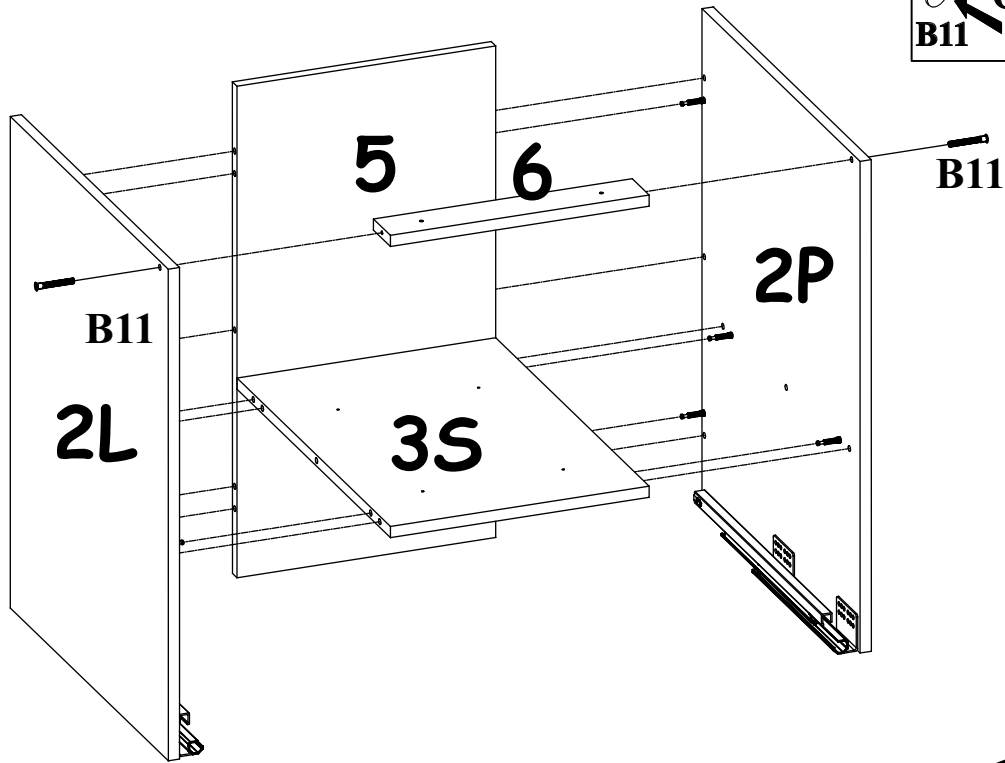
KM1 X2		UP5 X4	 UPØ4x16	 120 min
A1 X12	 ø8x36	B4 X8		
RE X1		D14 X4	 ESØ6,3x13	
AM X1		AM2 X1		
B5 X8	 ø15x12	B11 X8	 Ø7x50	
G5 X8		G4 X8		
D30 X8	 USØ3,5x16	D10 X4	 USØ3,5x13	
UP6 X2	 UPØ4x30	G2 X1		
I15 X4	 L-150 mm	I16 X2		
D27 X16	 USØ4x35	Z2 X4	 Ø5	



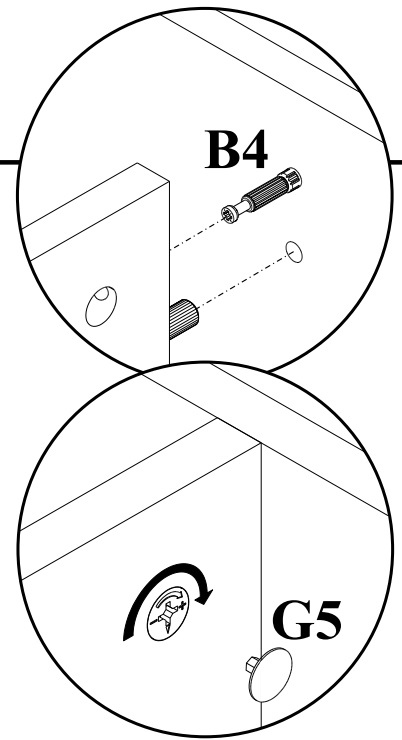
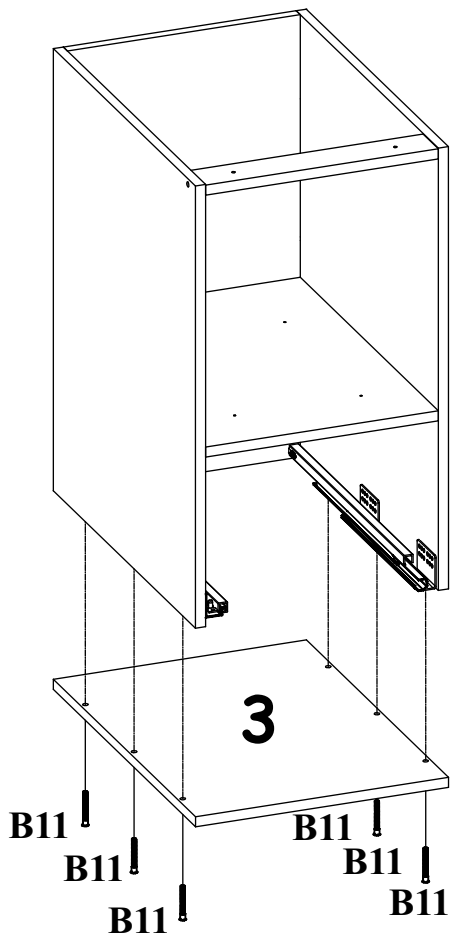
1



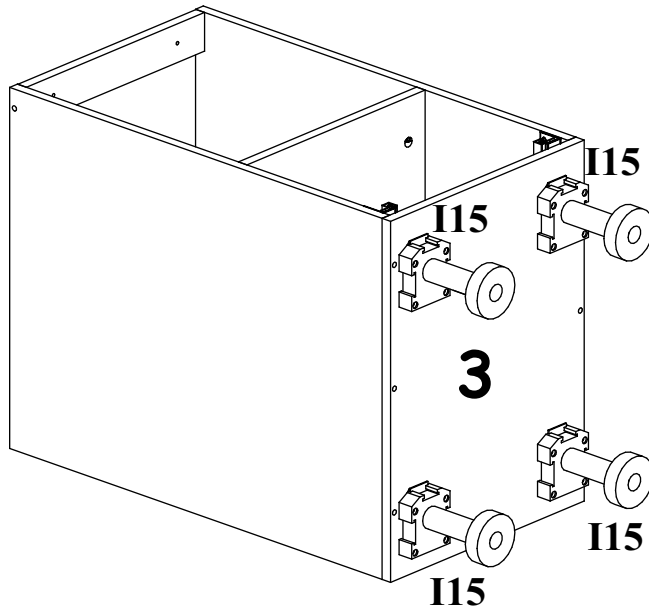
2



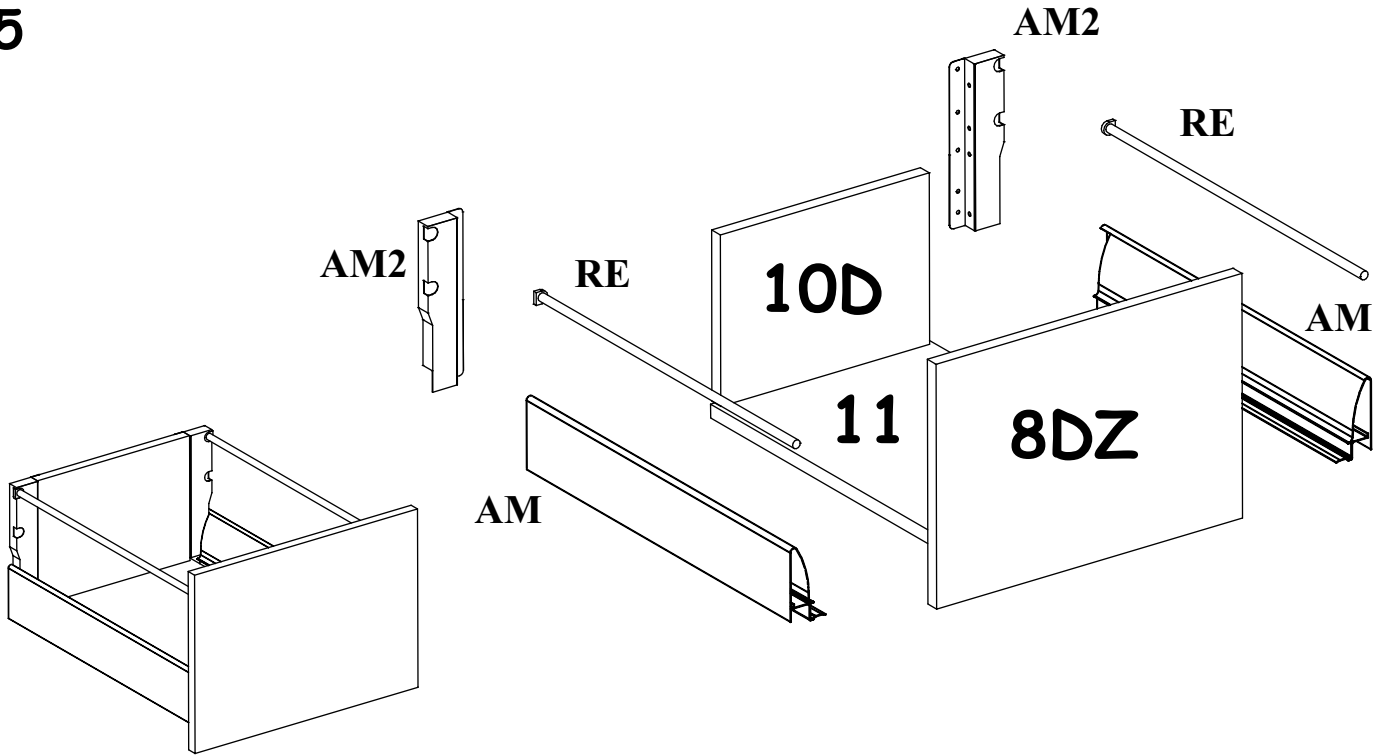
3



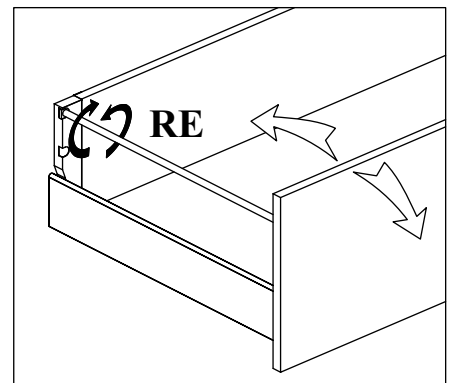
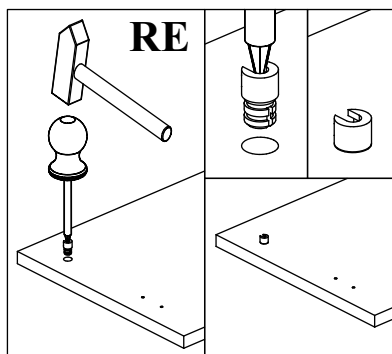
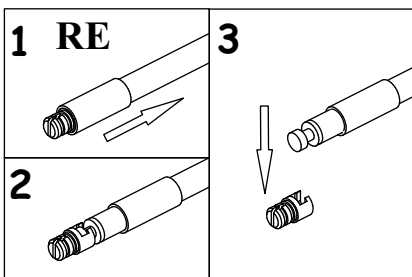
4



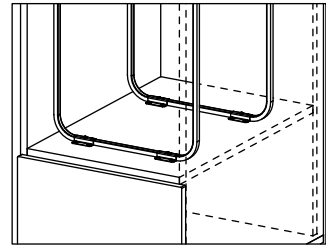
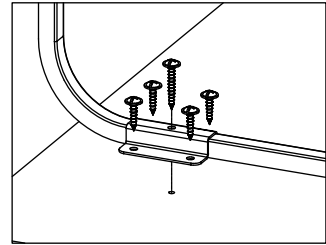
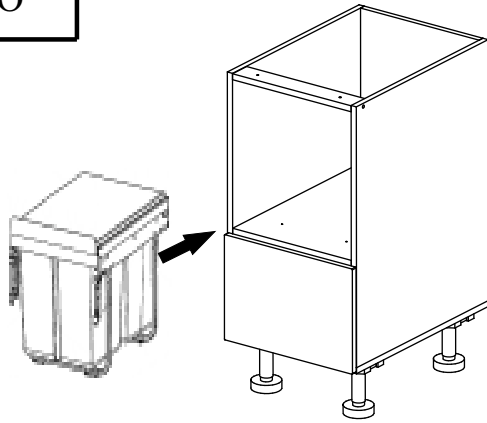
5



See additional installation instructions

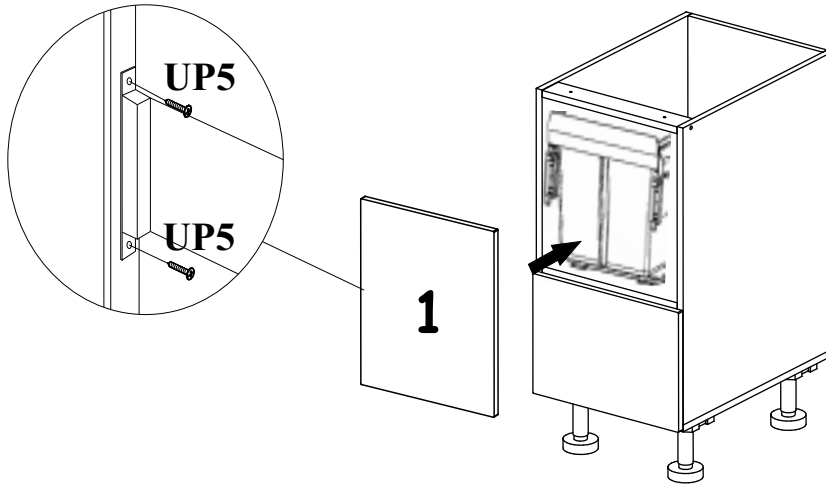


6



See additional installation instructions

7



8

KM1 KM1

