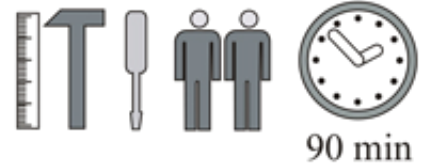
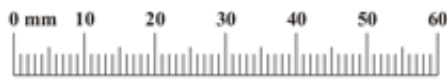
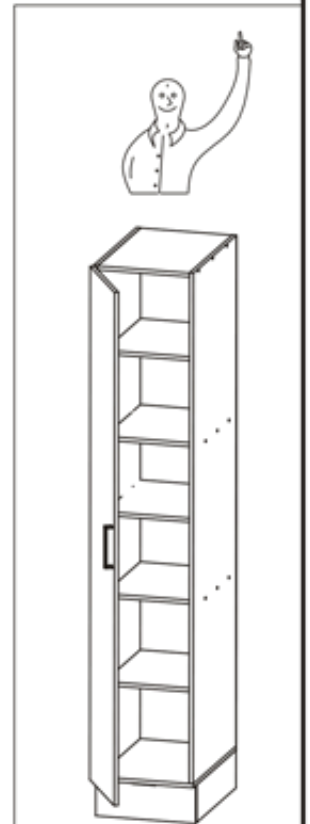
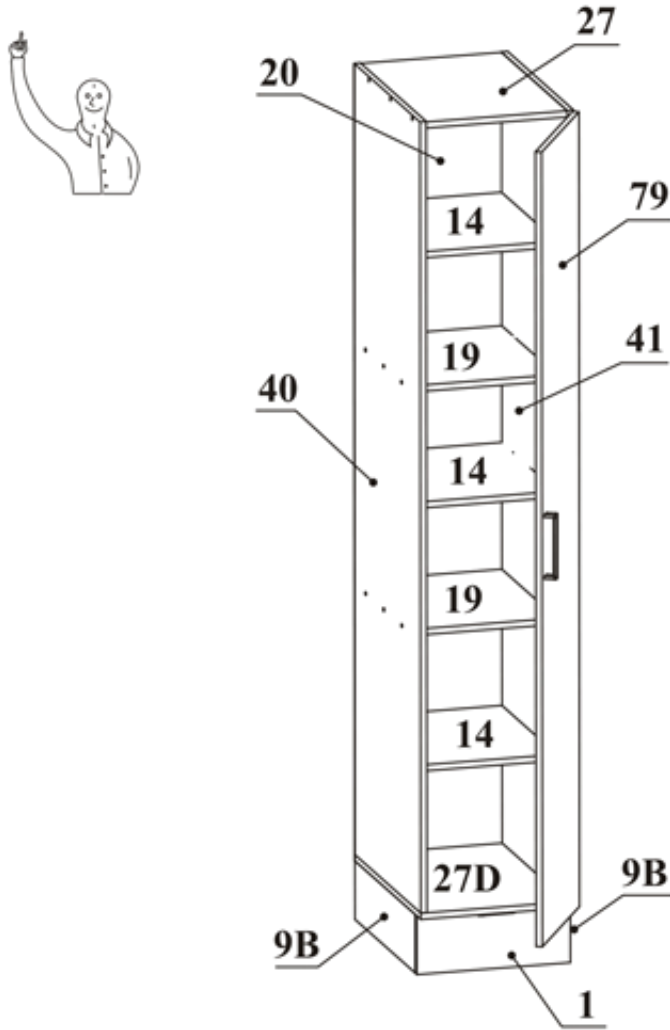
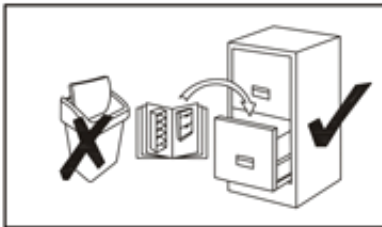
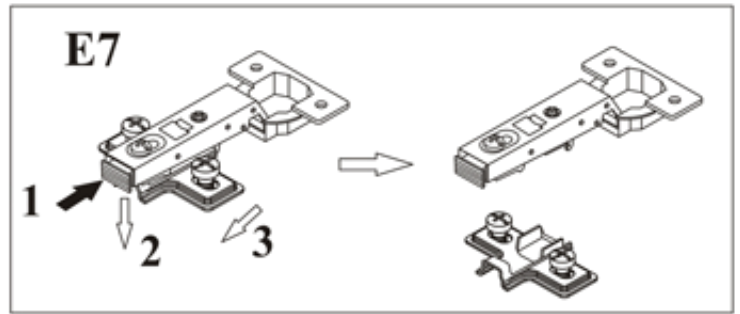
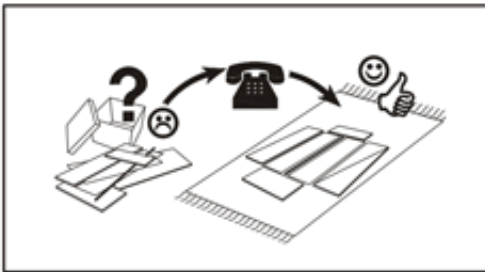


**Assembly Instructions for cabinets:** S40PL/222/60/1D,  
S45PL/222/60/1D

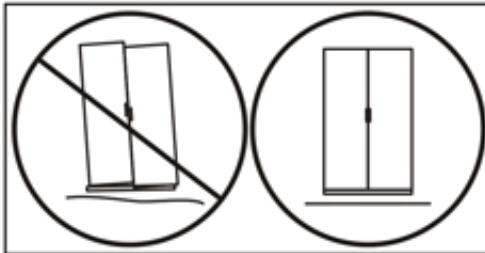
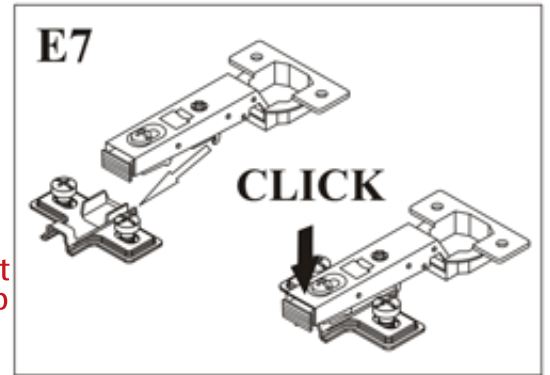


A1 X18  ø8x36	ZN X1 	D26 X2  M4x22	G7 X12 	L1 X1 	Z2 X8  Ø5
E7 X4 	E8 X4 	B11 X24  Ø7x50	G4 X24 	D10 X38  US03,5x13	G2 X1 
B3 X50  Ø1,4x25	I13 X4  L-150 mm.	I14 X6 	<p><b>Check all the items are in your box according to the list on this manual. If you are missing anything, please check all other boxes first and then send us an email with a list of the parts you need.</b></p>		

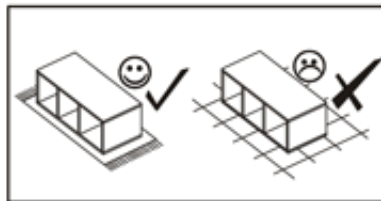
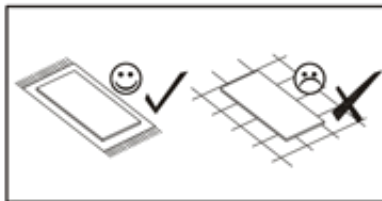
S40PL/222/60/1D, S45PL/222/60/1D



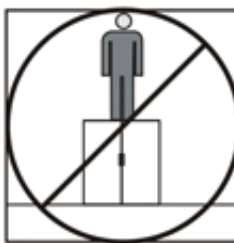
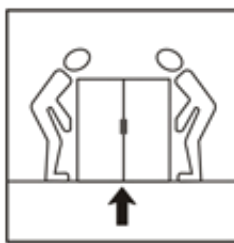
Keep your product assembly manual in a safe place until your kitchen is finished.



Be sure to assemble your cabinets on a flat surface and keep them straight and square.



Assemble your cabinets on a rug or a surface that will not scratch or damage them.



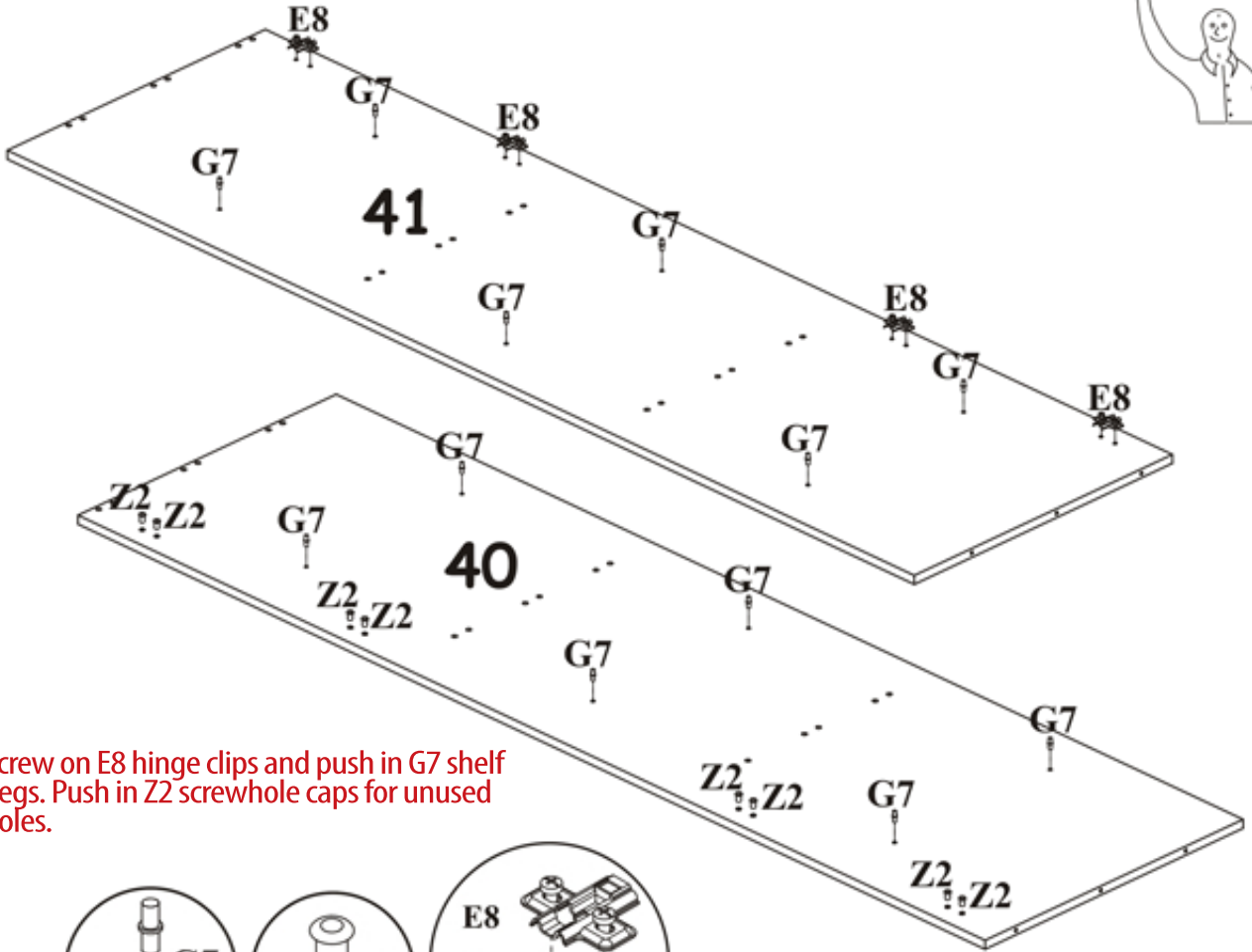
Do not push cabinets into place. Get someone to help you lift the cabinets into place, or you could risk damaging the feet.  
Do not stand on the cabinets.



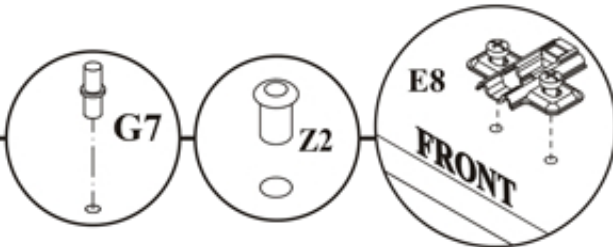
Once protective film on thermal wrap doors is removed, do not clean for 7 days. This allows the surface to harden. Only clean the cabinets with a small amount of warm water or non harsh chemicals.

S40PL/222/60/1D, S45PL/222/60/1D

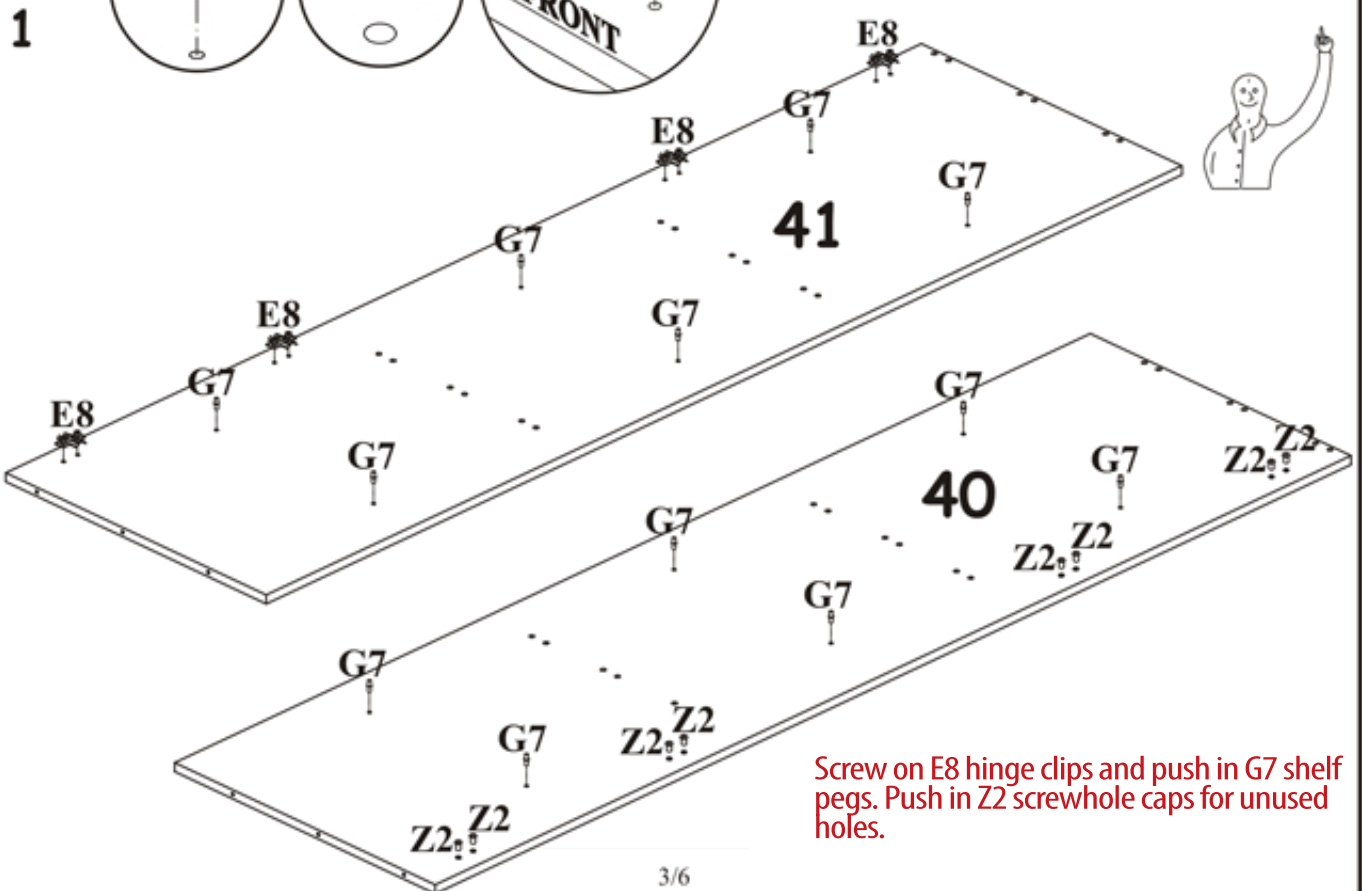
1



Screw on E8 hinge clips and push in G7 shelf pegs. Push in Z2 screwhole caps for unused holes.



1

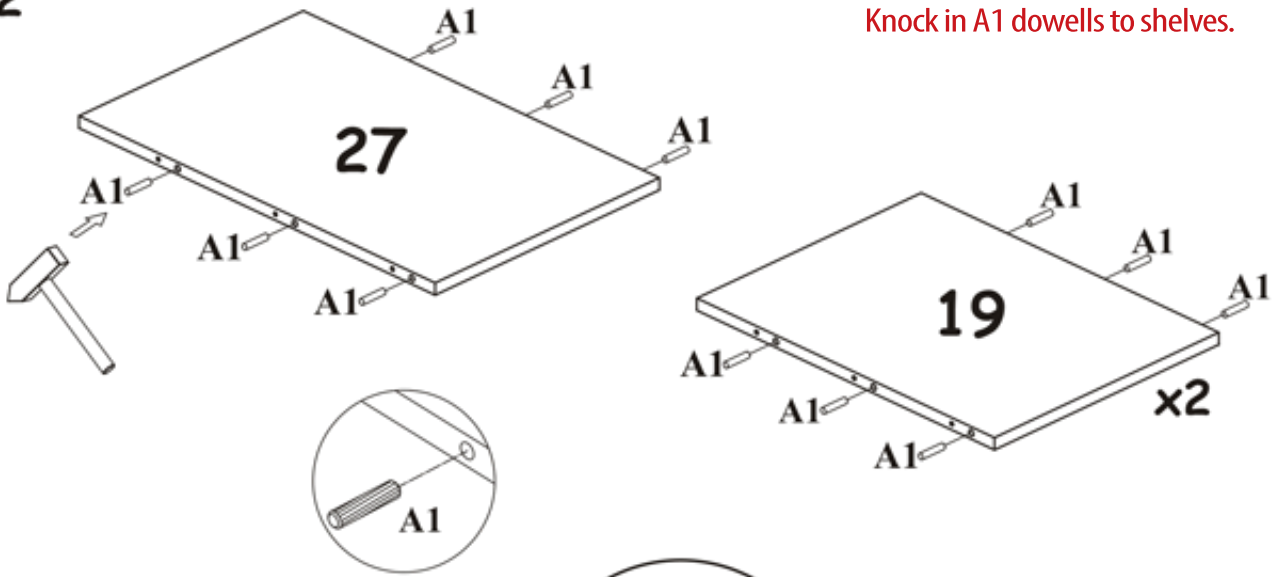


Screw on E8 hinge clips and push in G7 shelf pegs. Push in Z2 screwhole caps for unused holes.

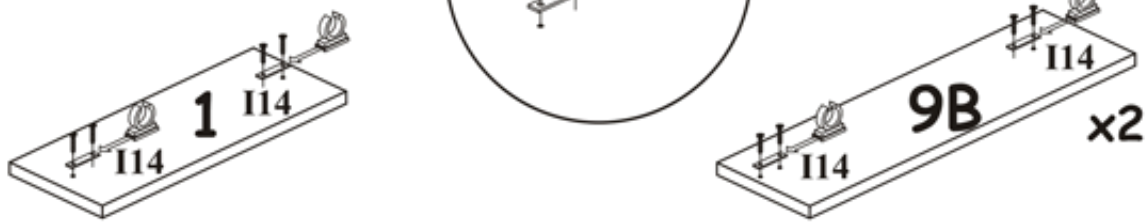
S40PL/222/60/1D, S45PL/222/60/1D

2

Knock in A1 dowells to shelves.

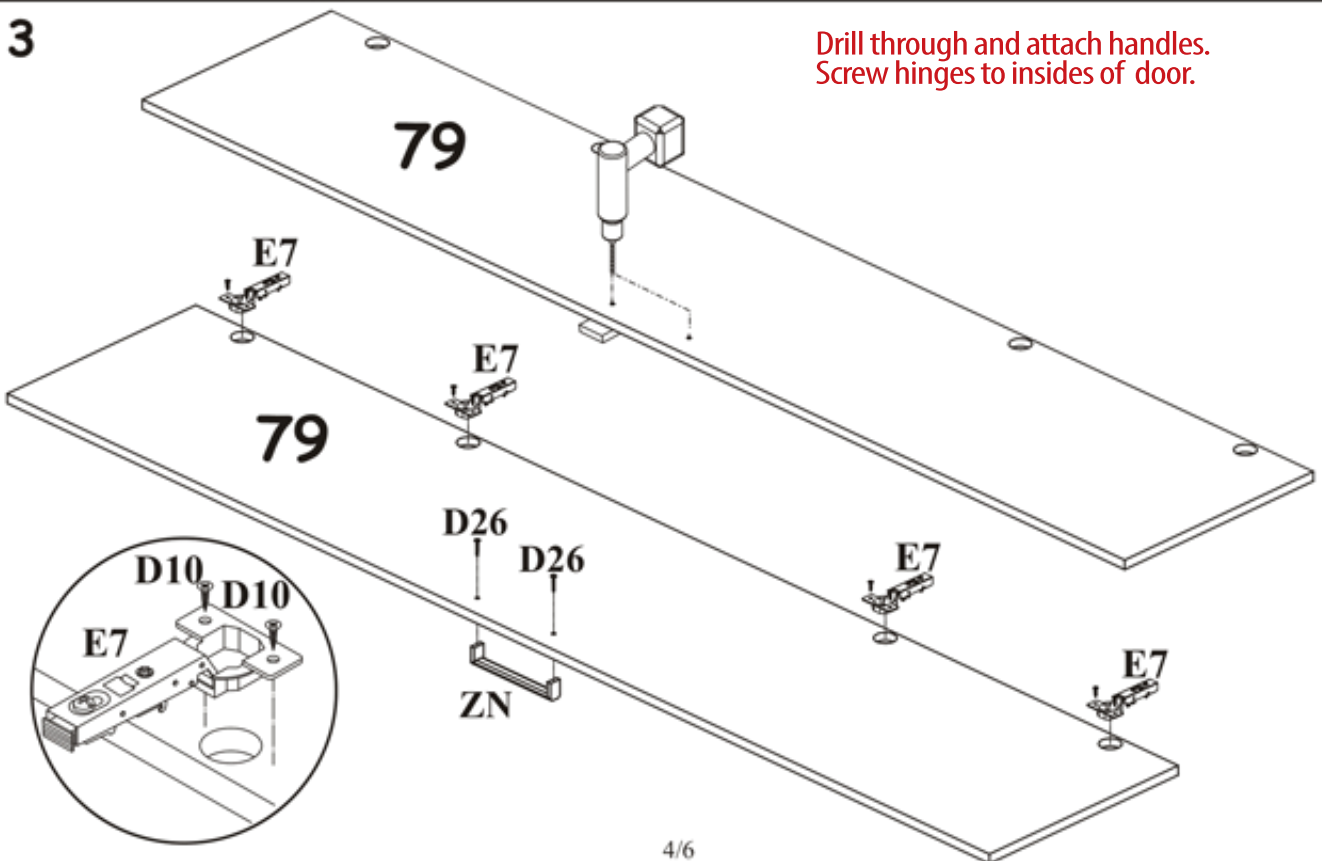


Screw on the toe kick clip brackets to line up with the cabinet feet and slide the clips on.



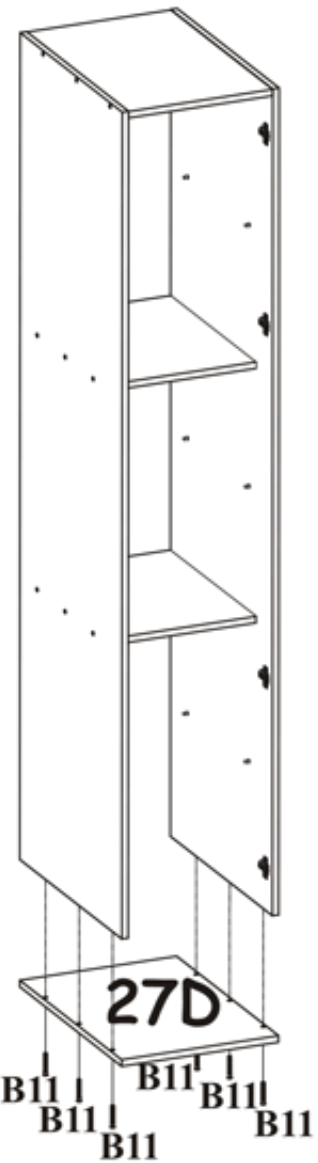
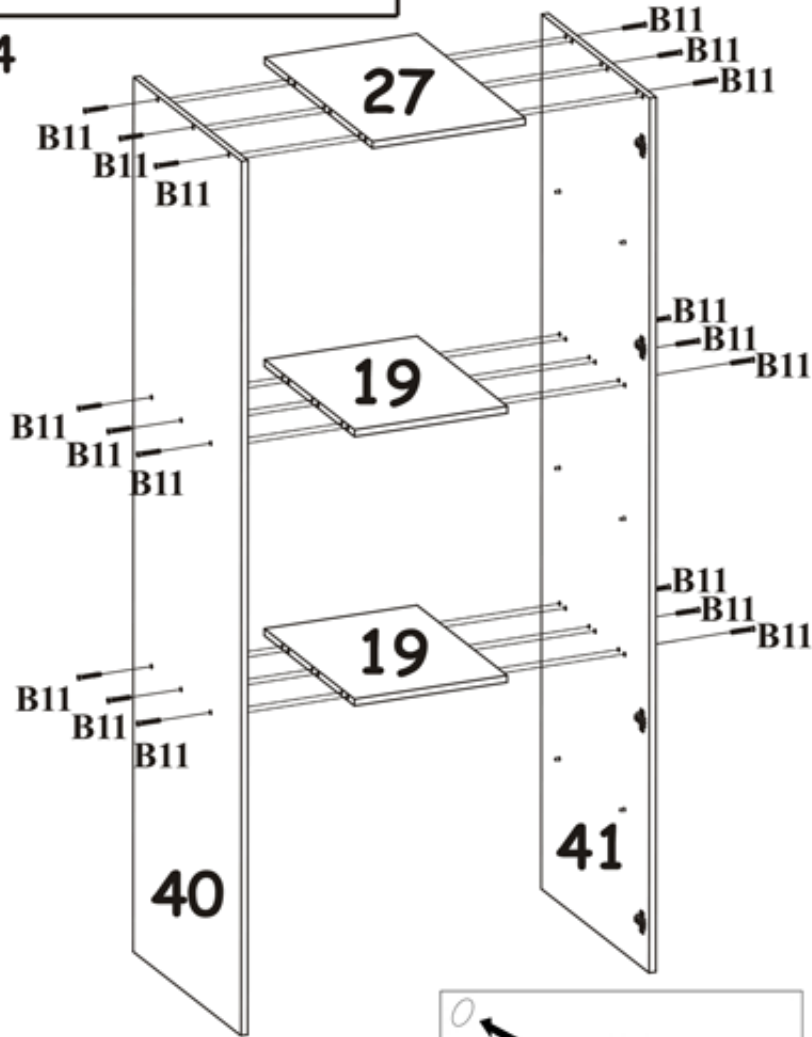
3

Drill through and attach handles. Screw hinges to insides of door.

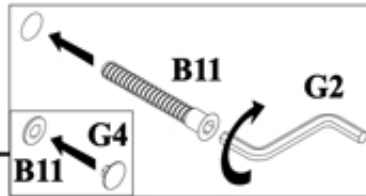


S40PL/222/60/1D, S45PL/222/60/1D

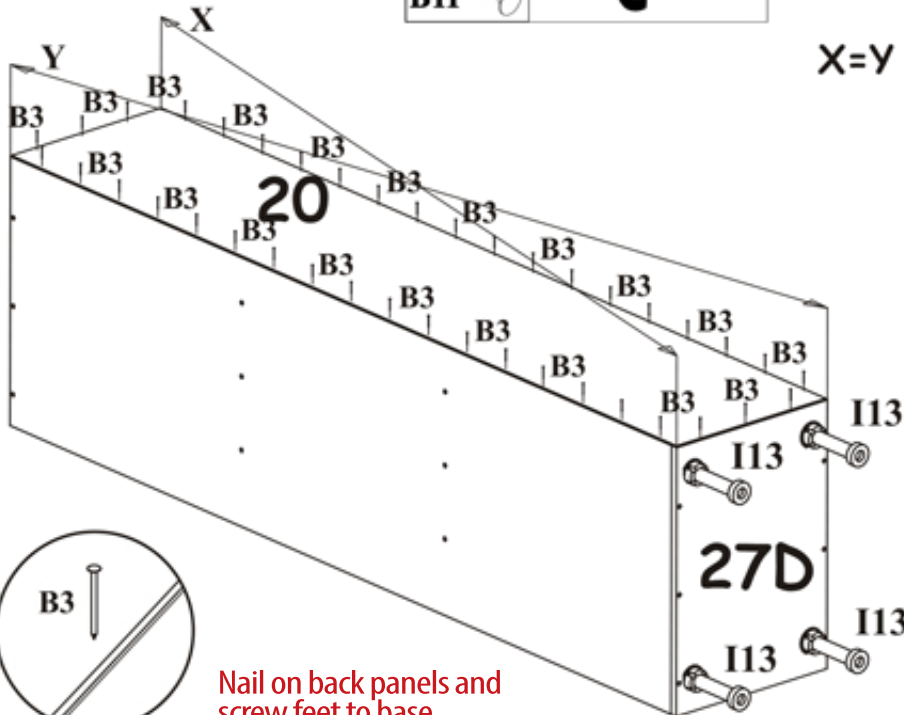
4



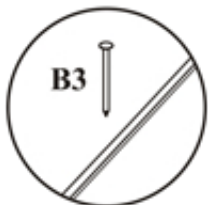
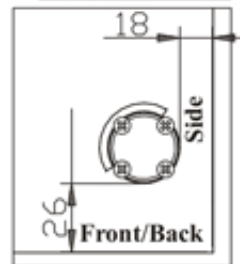
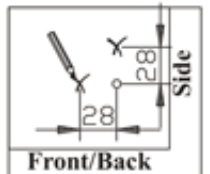
Screw together cabinet frame with B11 screws and allen key tool.



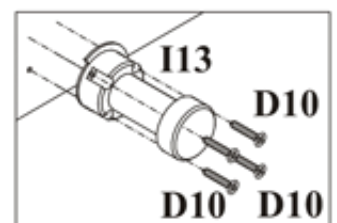
5



$X=Y$   $90^\circ$

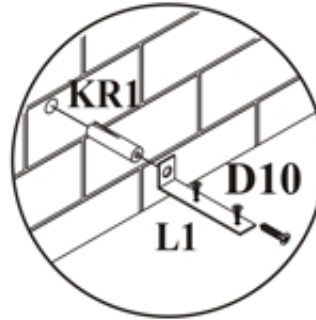
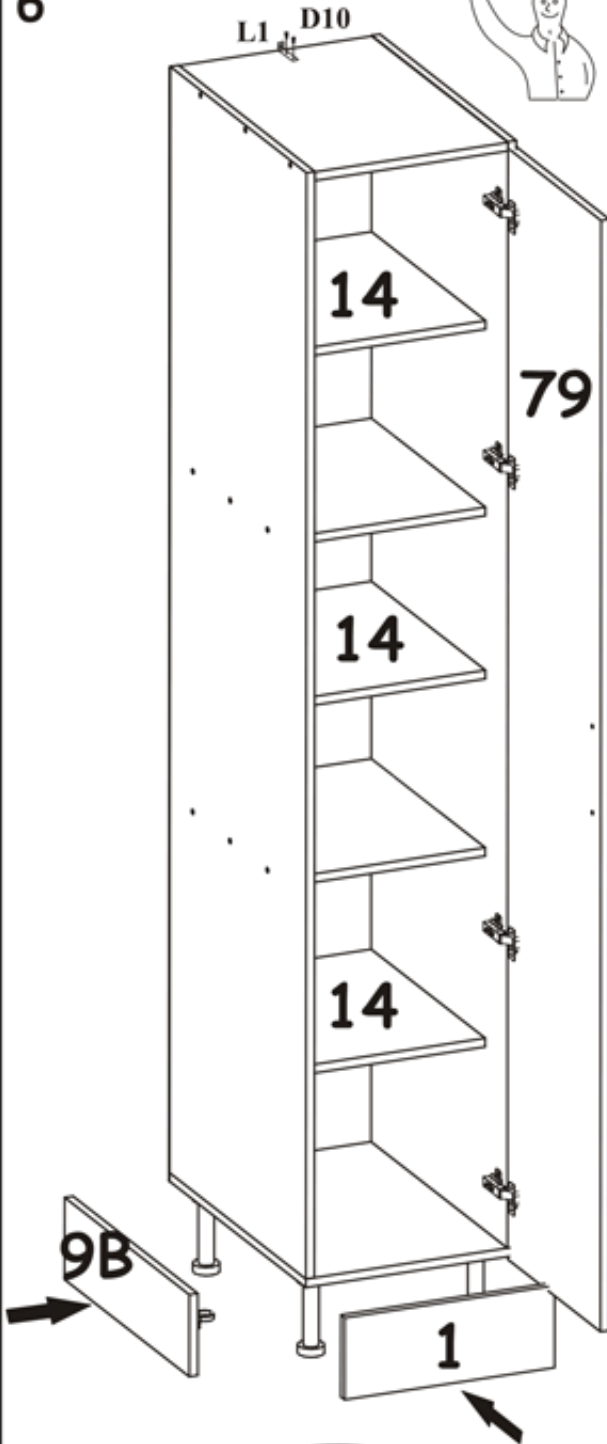


Nail on back panels and screw feet to base.

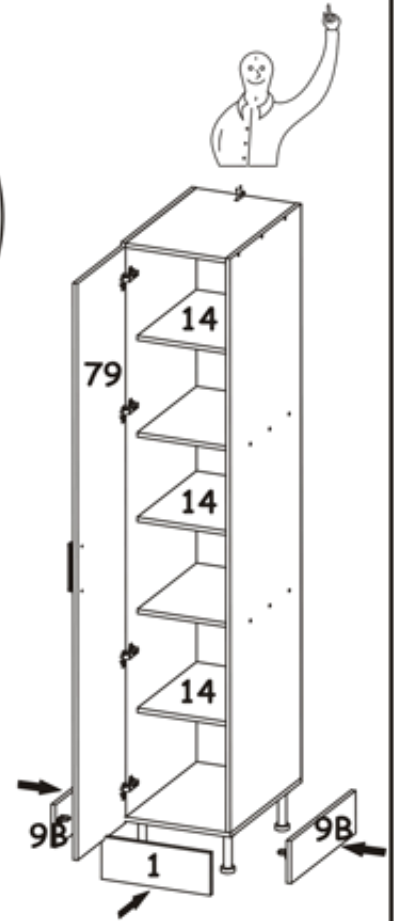


S40PL/222/60/1D, S45PL/222/60/1D

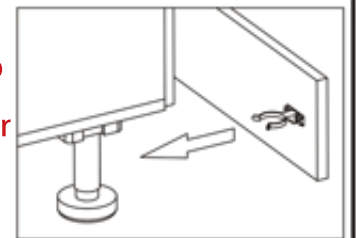
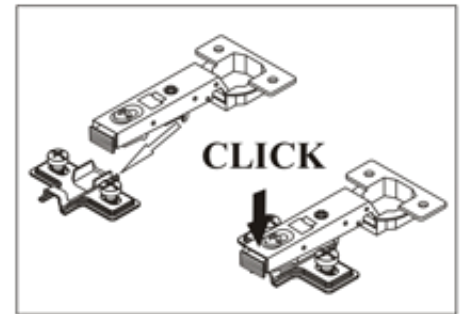
6



Attach cabinet to wall with the L bracket.



Adjust the feet to make the cabinet top level, then clip the toe kick into place.



Attach the doors by clipping the doors onto the hinge clips. Use a phillips head screwdriver to adjust the tilt and rotation of the doors to make them level.

