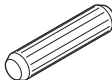
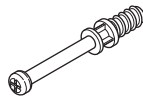
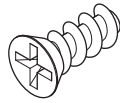
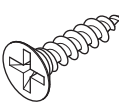
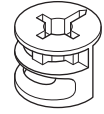
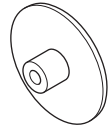
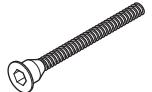
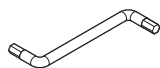
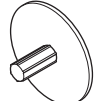
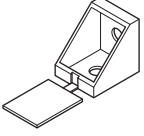
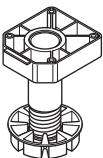
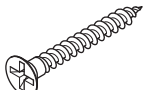
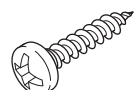
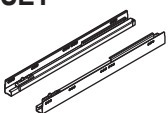
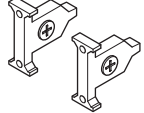
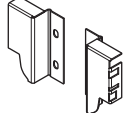
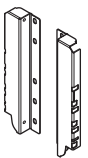

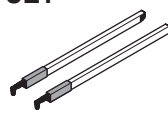
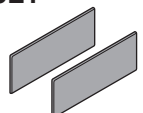



<b>Ø8x35</b>  <b>A1</b> pc. 6	 <b>B4</b> pc. 4	<b>Ø6x13</b>  <b>D8</b> pc. 18	<b>USØ3,5x16</b>  <b>D30</b> pc. 74	<b>Ø15x12</b>  <b>B5</b> pc. 4	 <b>G5</b> pc. 4	<b>Ø7x50</b>  <b>B11</b> pc. 8
 <b>G2</b> pc. 1	 <b>G4</b> pc. 8	 <b>KM1</b> pc. 2	 <b>I15</b> pc. 4	<b>USØ4x35</b>  <b>D27</b> pc. 16	<b>USØ3,5x18</b>  <b>D18</b> pc. 12	 <b>BM1</b> pc. 3
<b>SET</b>  <b>BM2</b> pc. 3	<b>SET</b>  <b>BM3</b> pc. 1	<b>SET</b>  <b>BM4</b> pc. 2	<b>SET</b>  <b>BM5</b> pc. 3	<b>SET</b>  <b>BM6</b> pc. 2	<b>SET</b>  <b>BM7</b> pc. 3	 <b>I16</b> pc. 2

## Symbology



Phases of assembly



Reference to the detail



Elements



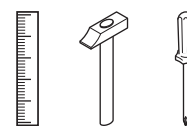
Screw to fix



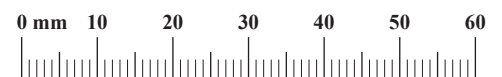
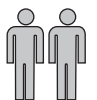
Hardware and tools

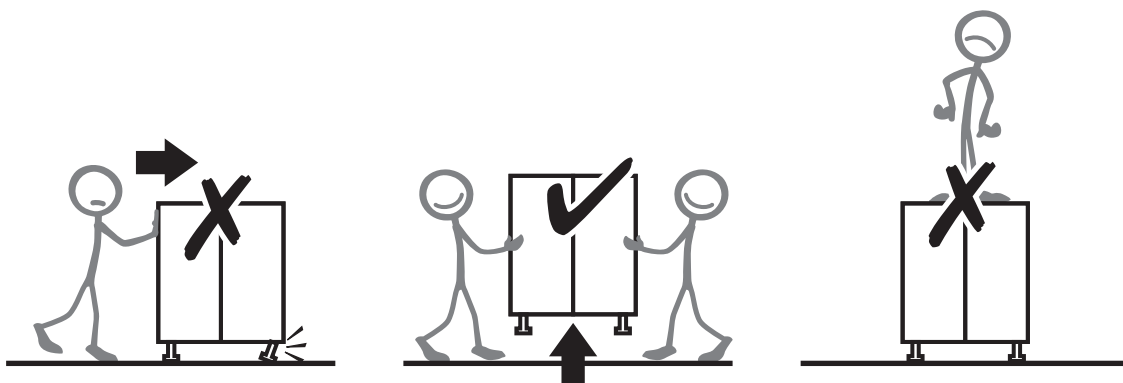
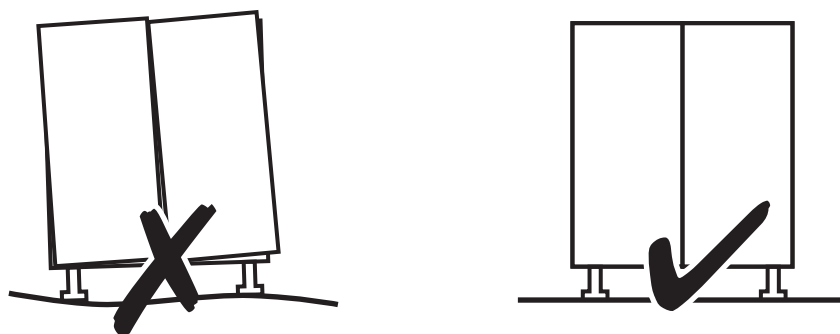
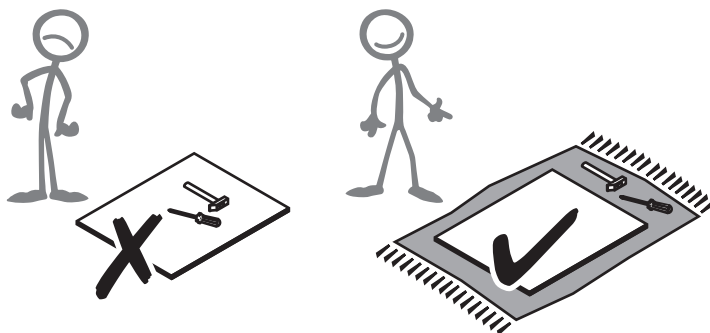
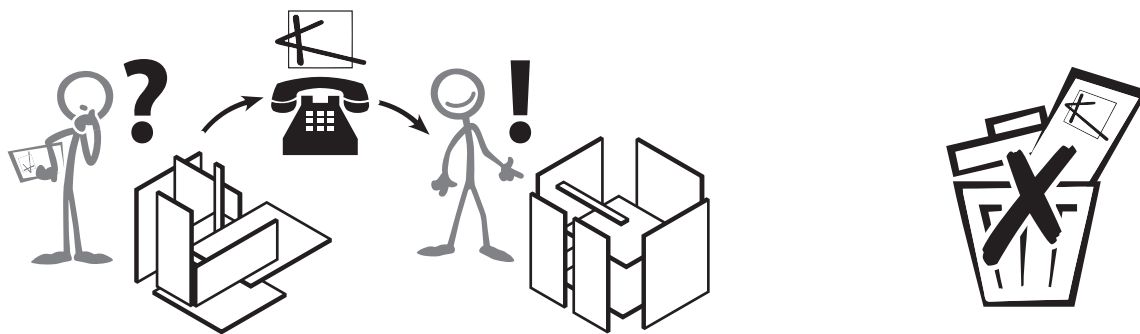


Movement direction



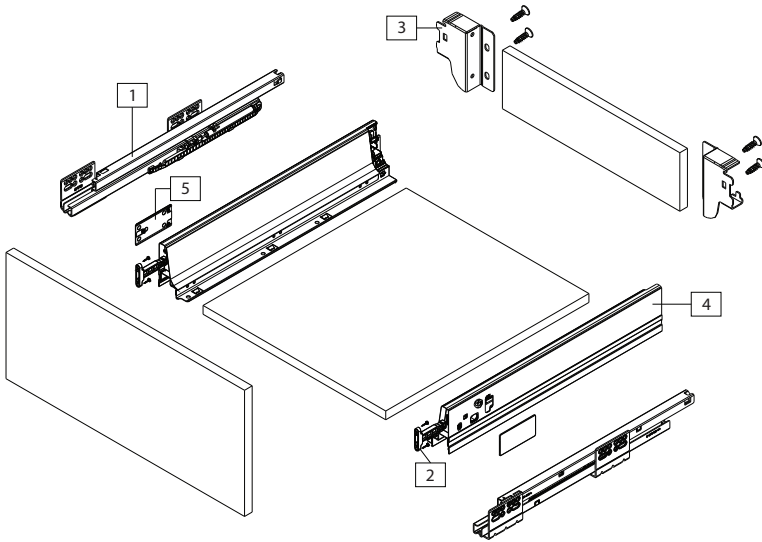
60 min





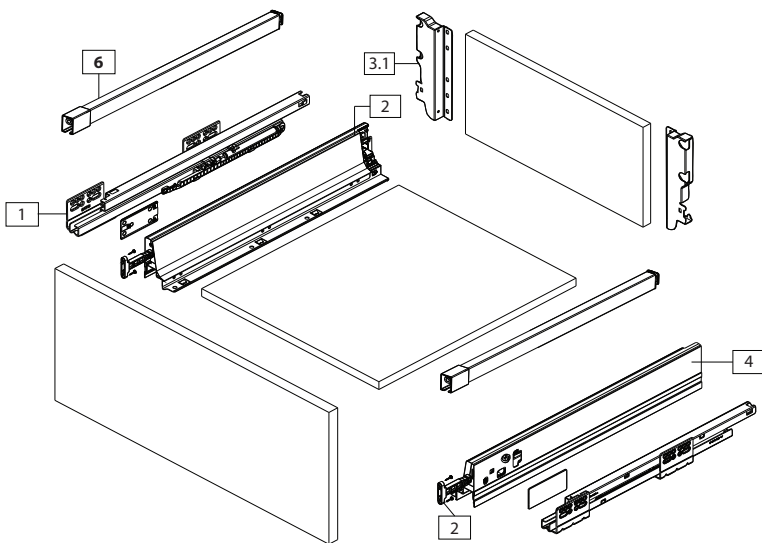
Profile

Lower drawer

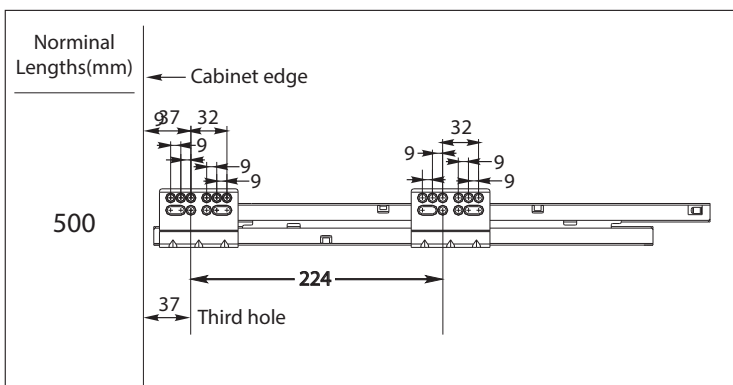


- 1 - BM1, runner (left & right)
- 2 - BM5, front fixing bracket
- 3 - BM3, fixing bracket (left & right)
- 3.1 - BM4, tall fixing bracket (left & right)**
- 4 - BM5, drawer sides (left & right)
- 5 - BM7, cover caps
- 6 - BM6, square side rails (left & right)**

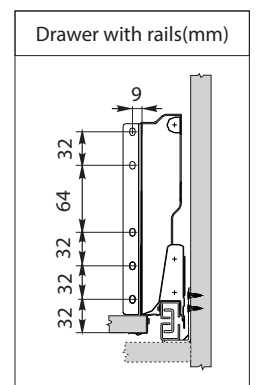
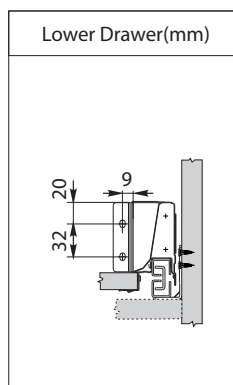
Drawer with rails



Screw Positions of the Slides

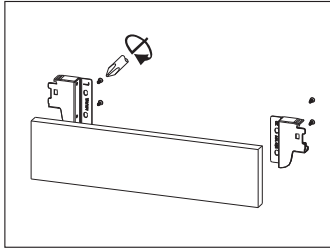


Back installation dimensions

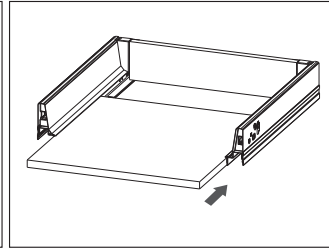
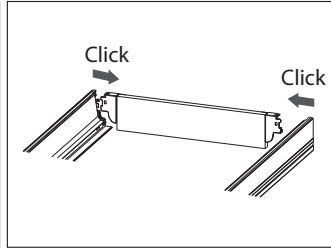


## Assembly

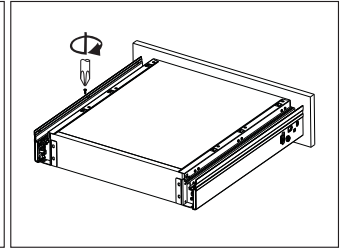
### Installation Instruction



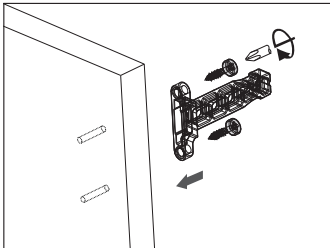
Assembly - Back



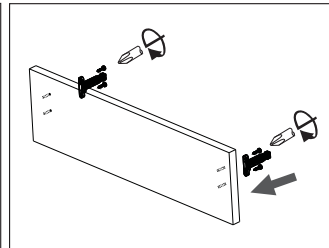
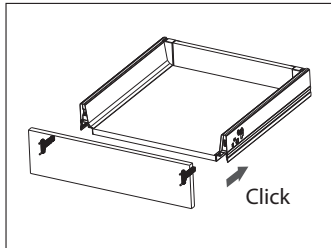
Assembly - Bottom



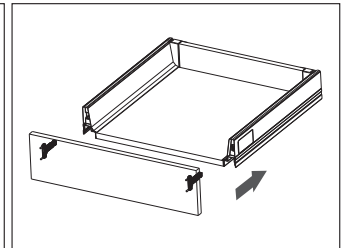
Fix Screws



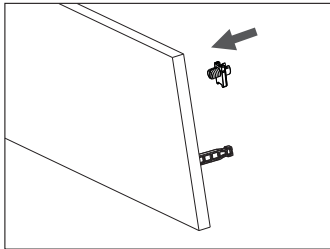
Assembly - Front



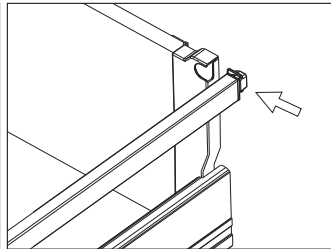
Assembly - Front



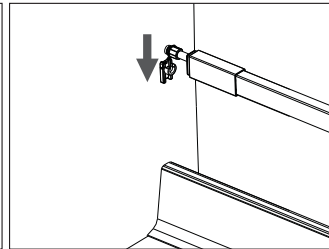
### Drawer with rails



Assembly - Front

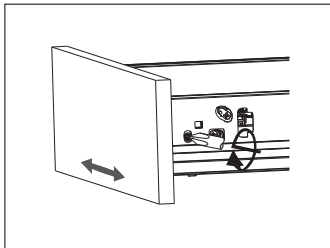


Assembly - Back

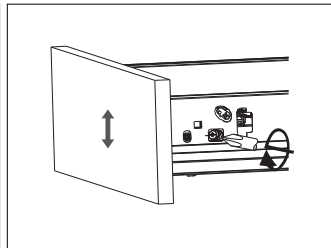


Fit the front

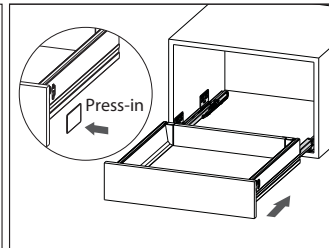
### Adjustment



Left & Right adjustment

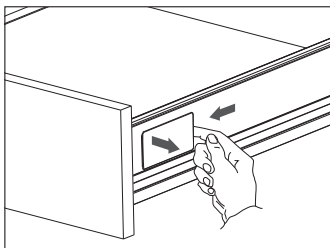


Up & Down adjustment

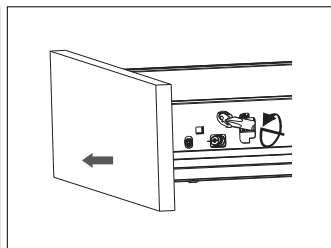


Slide into the cabinet

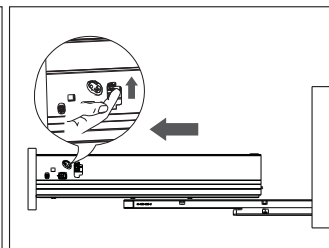
### Removal



Tip up the cover and pull out



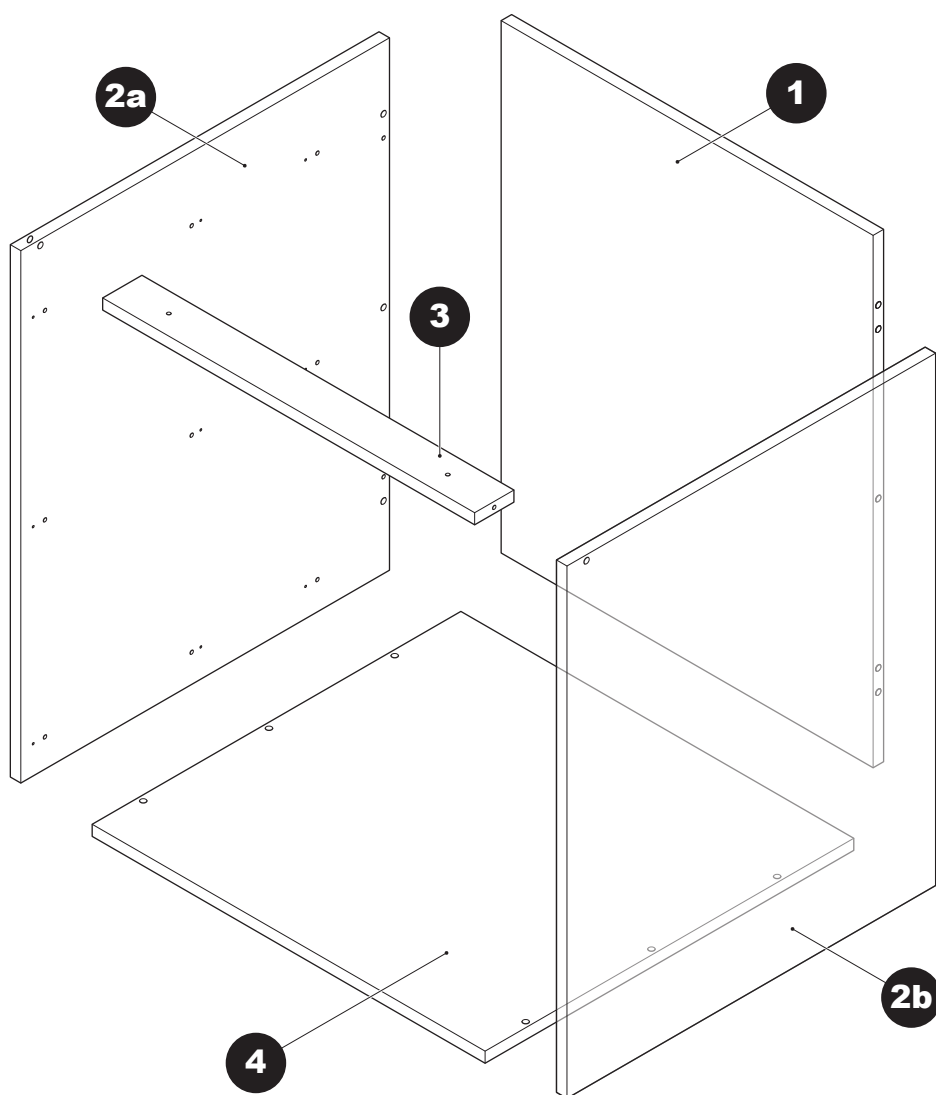
Turn screw driver to release the drawer front



Lift the release handle and pull out the drawer

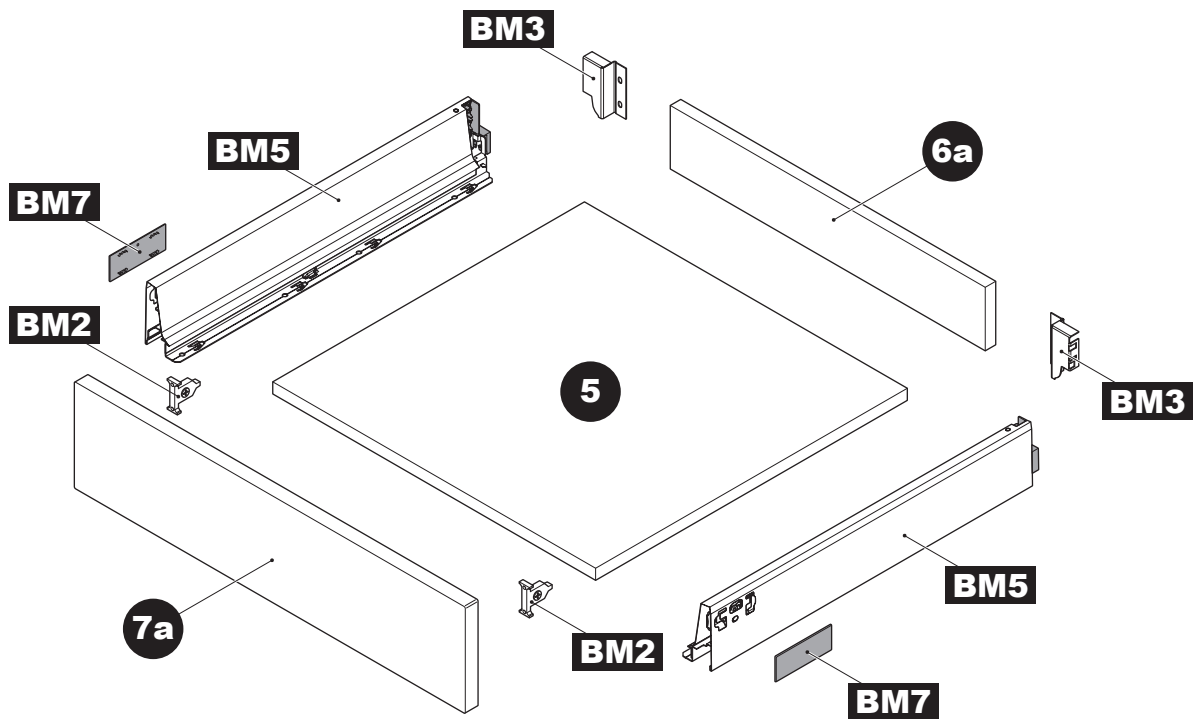


**F1**

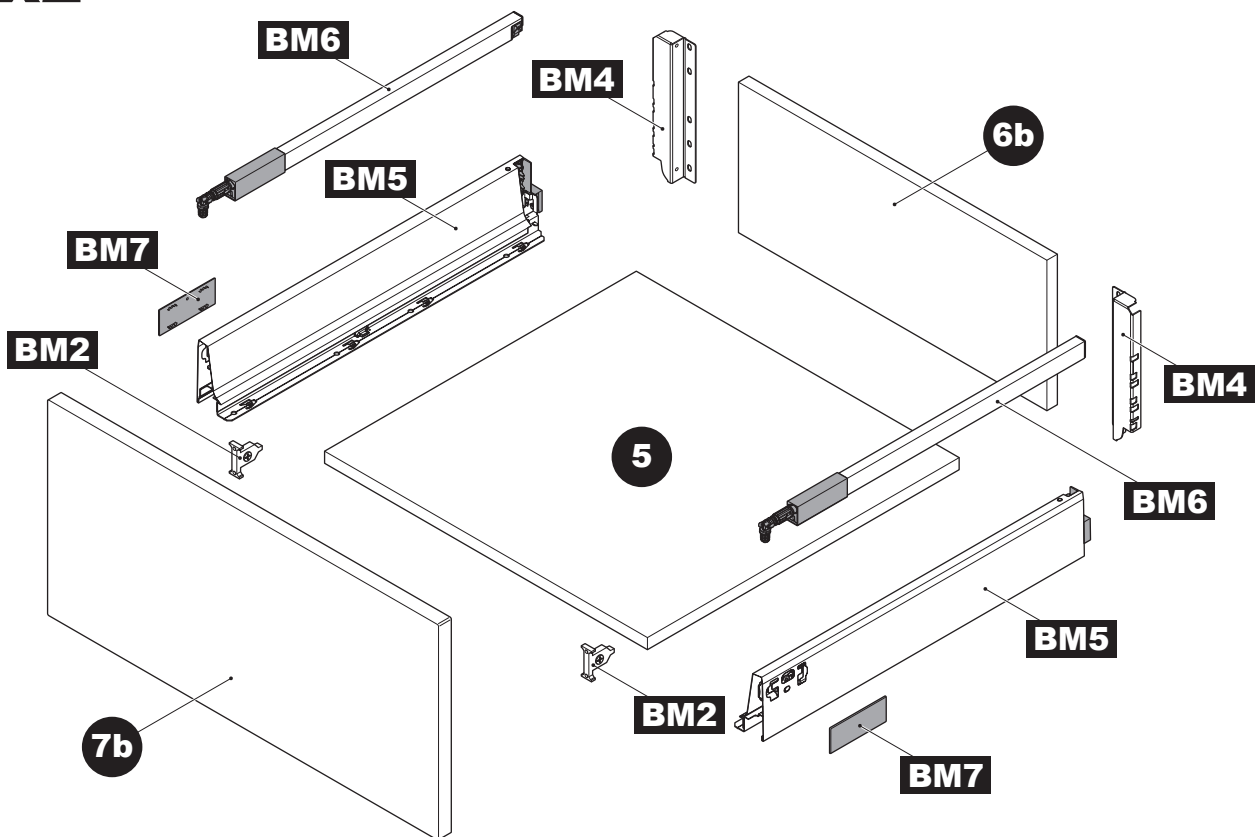




**F2**

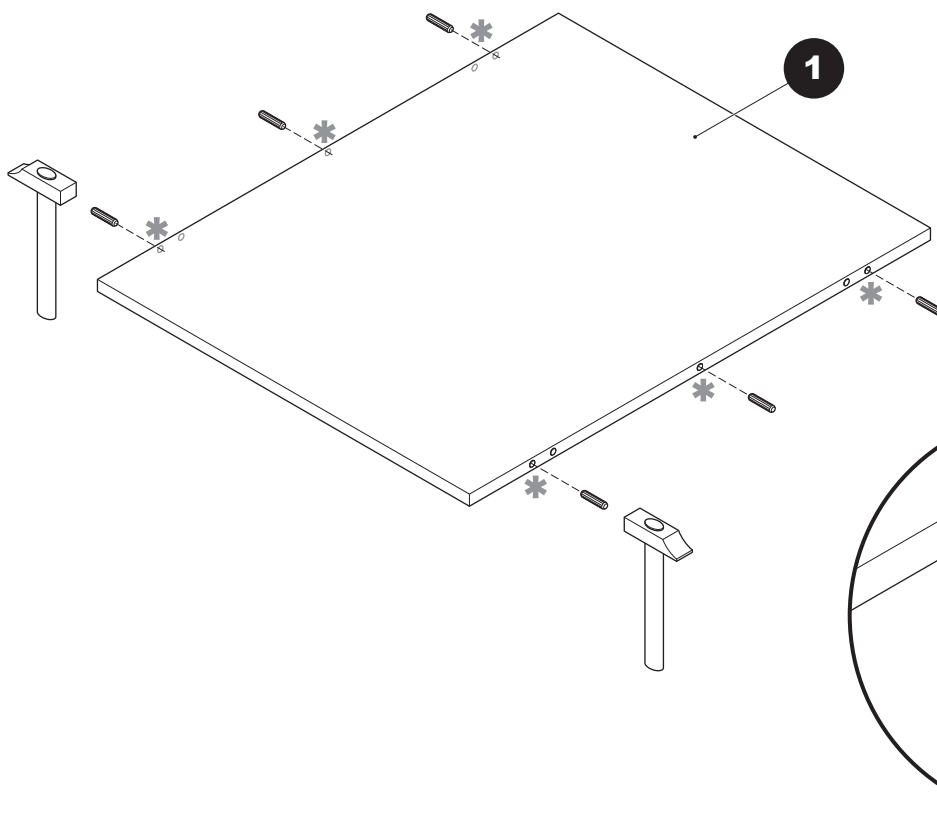


**F3 x2**

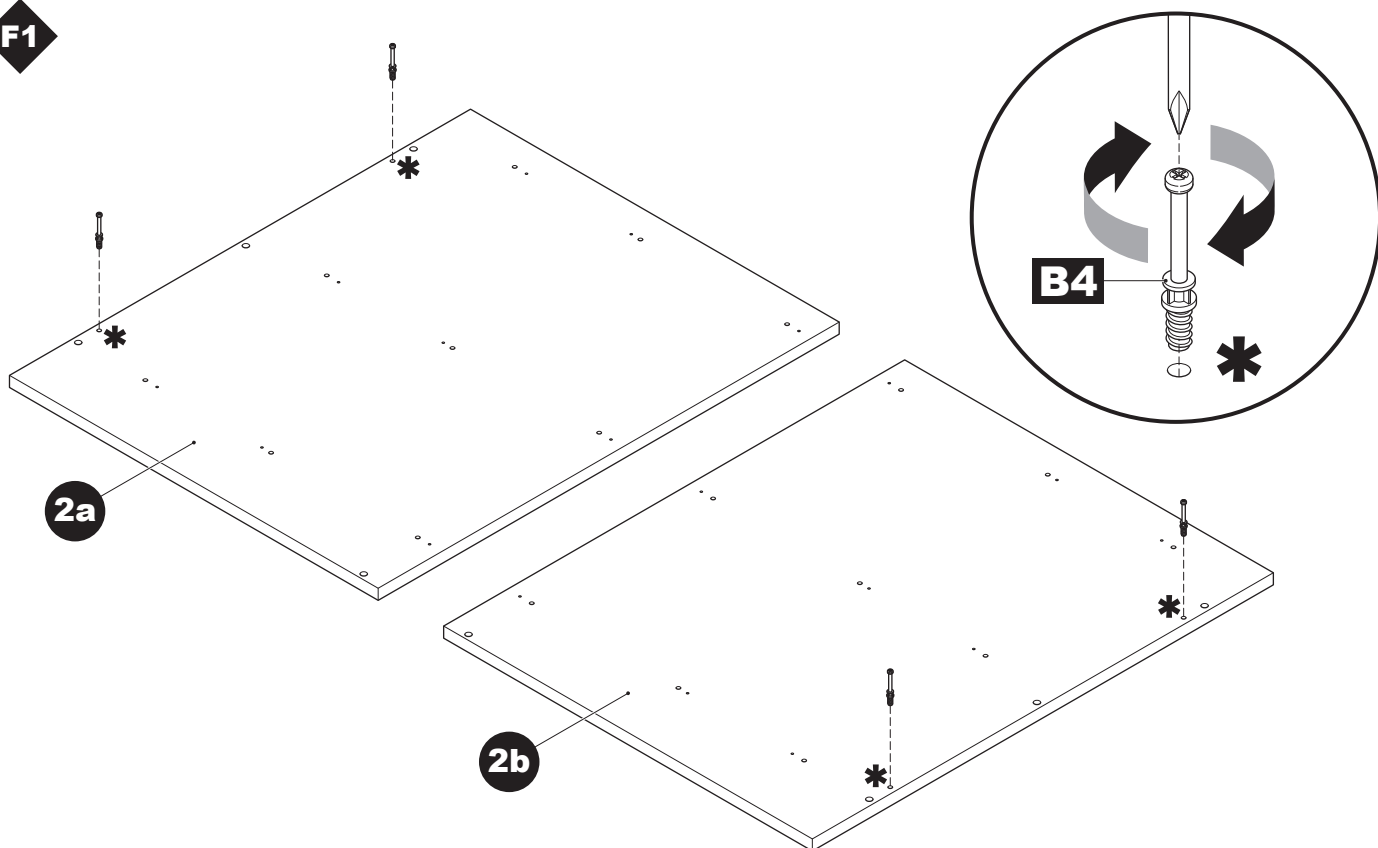




**1** **F1**



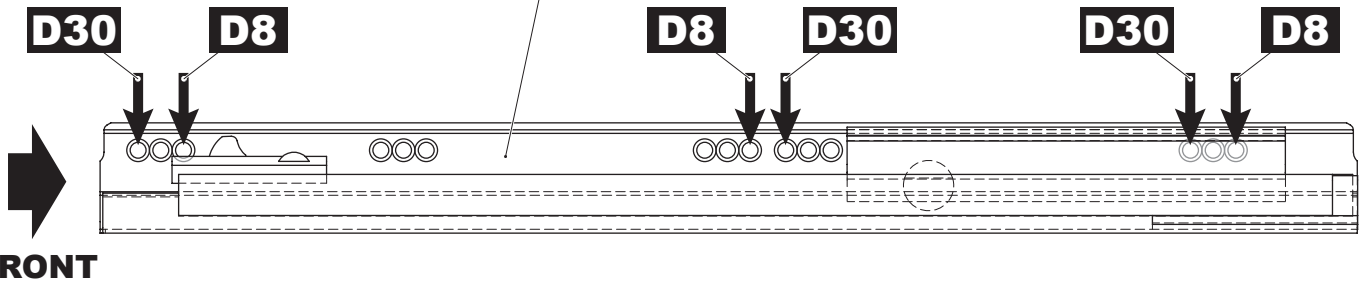
**2** **F1**



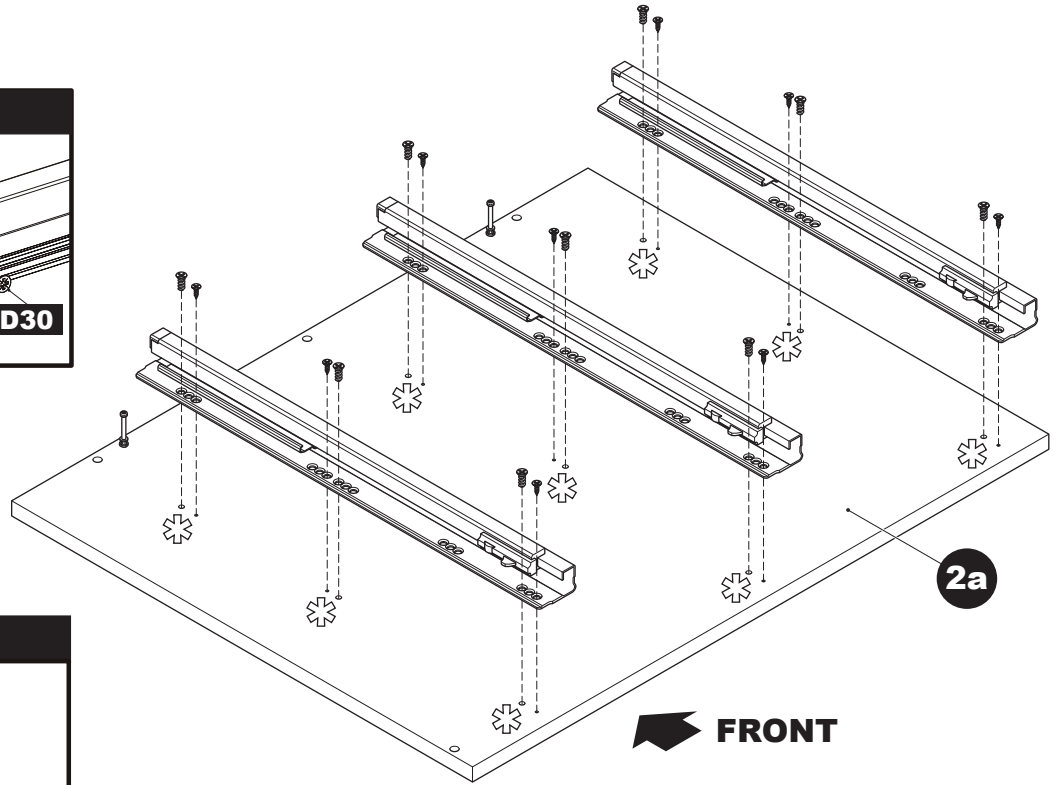
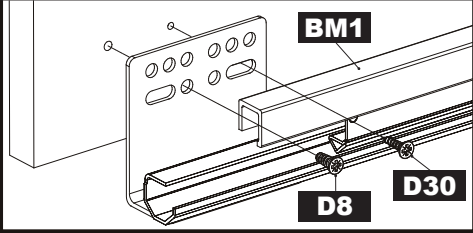


**3** **F1**

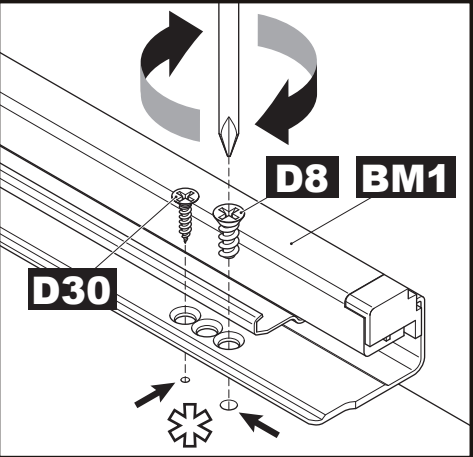
**BM1**



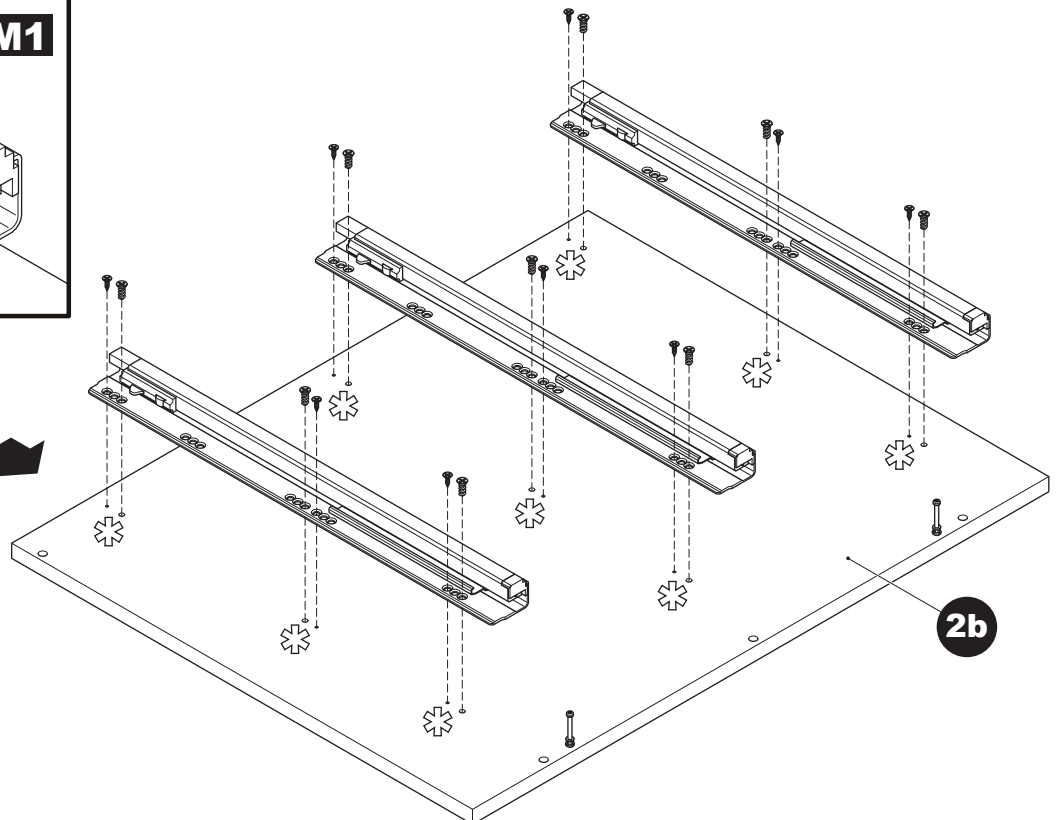
**DTC RUNNER**



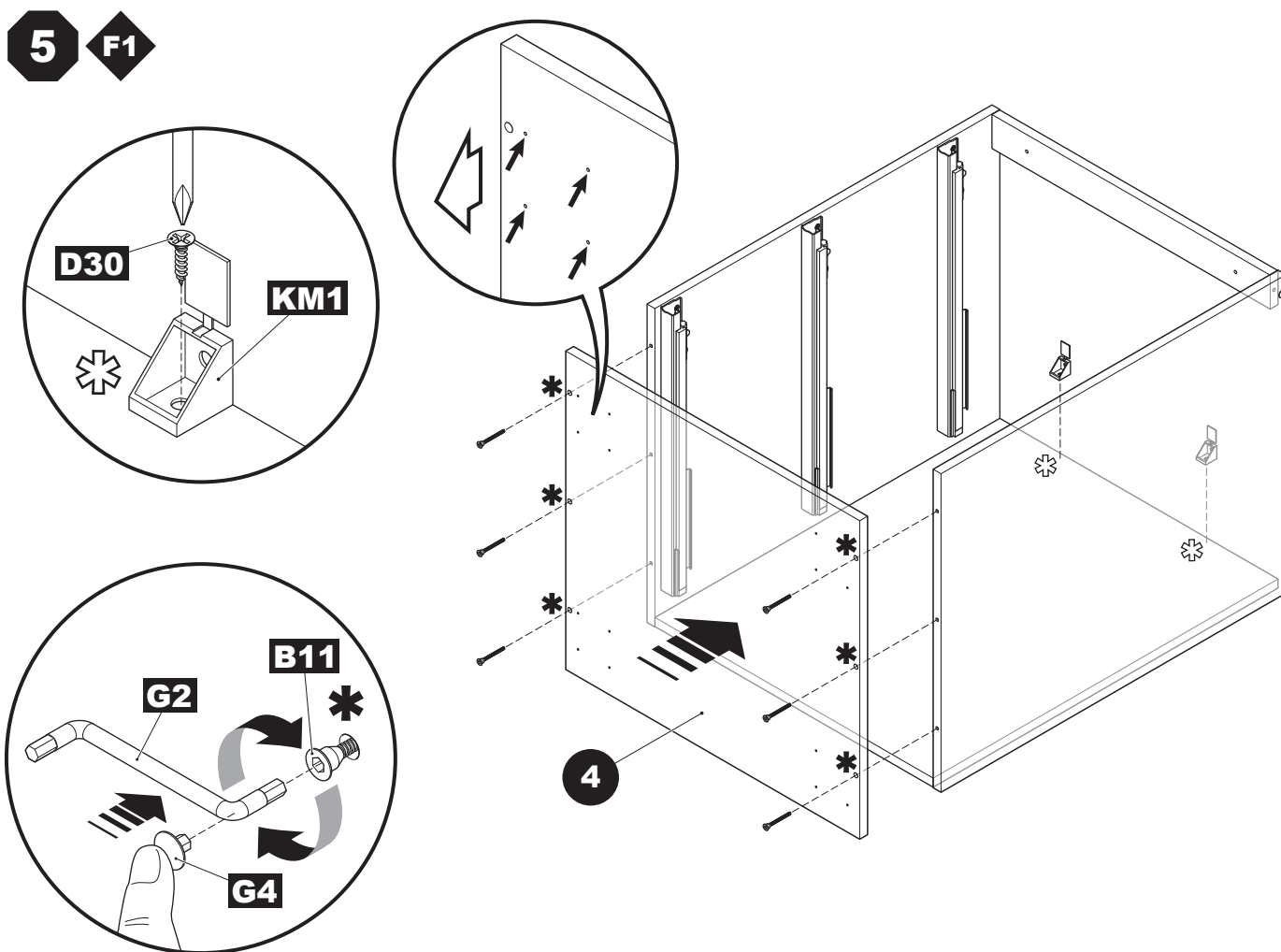
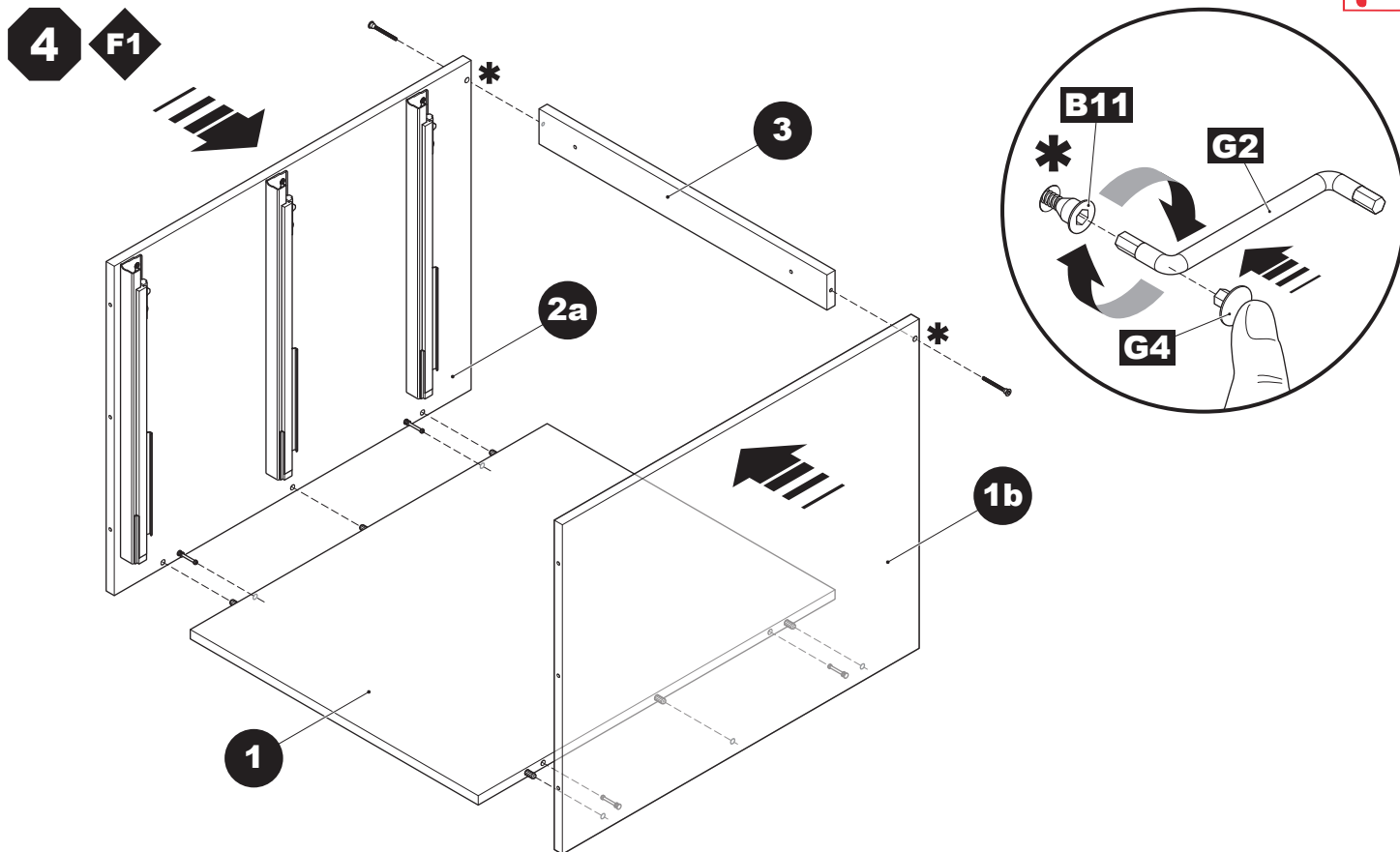
**BLUM RUNNER**



**FRONT**

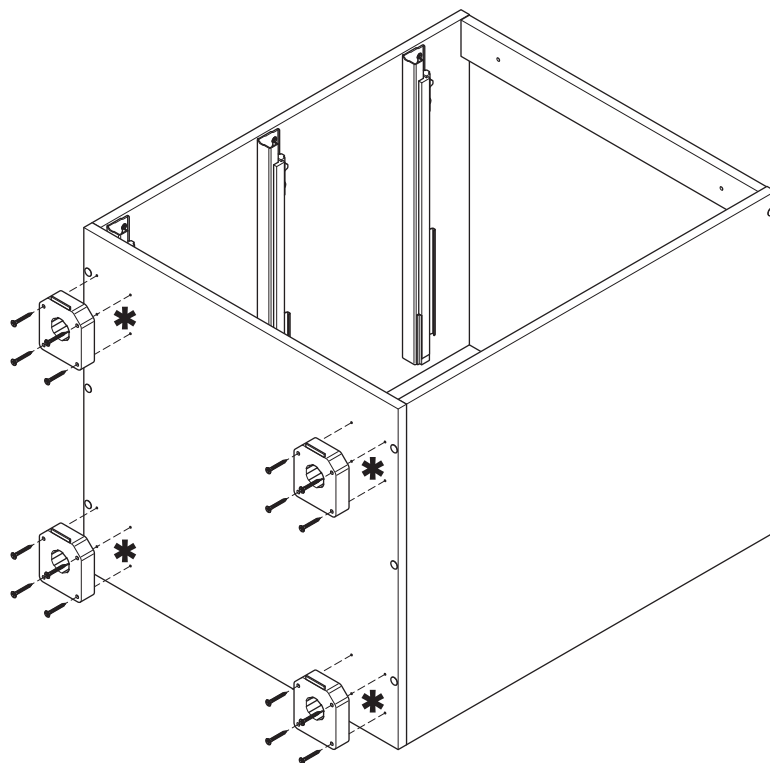
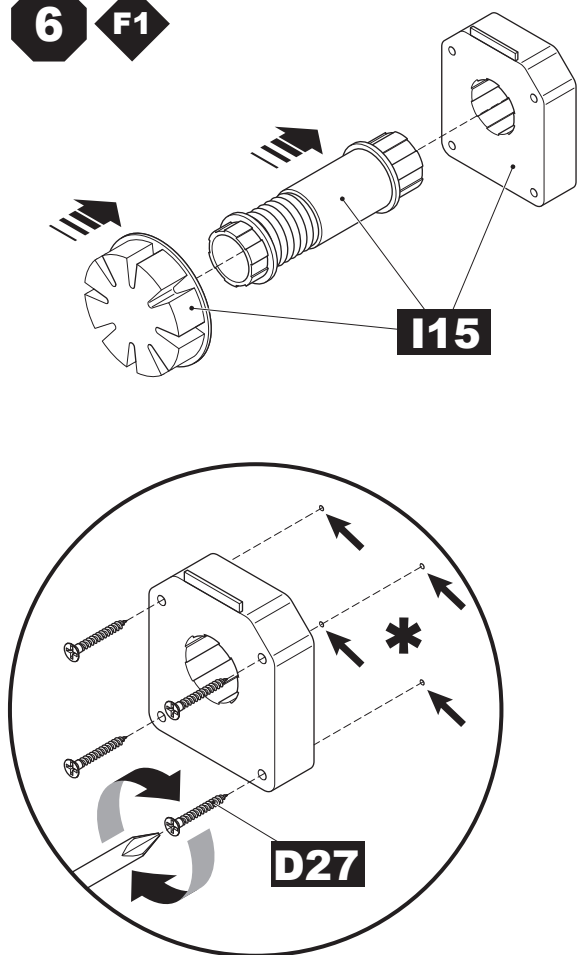




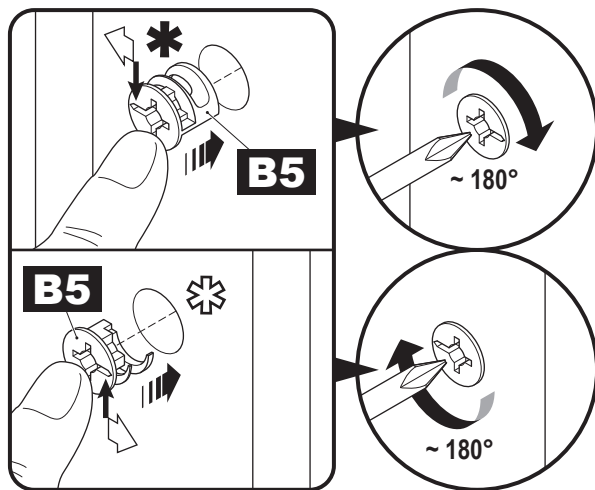
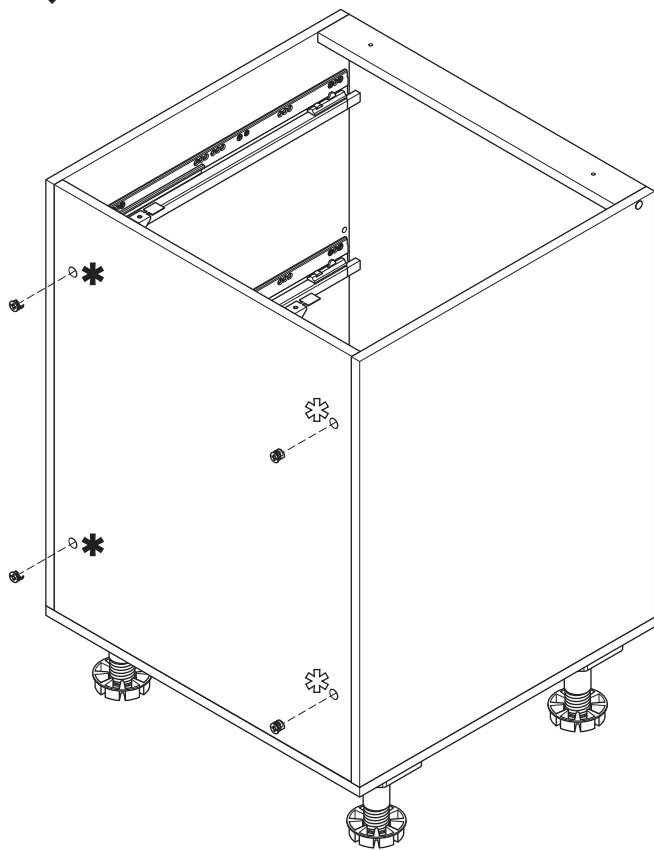


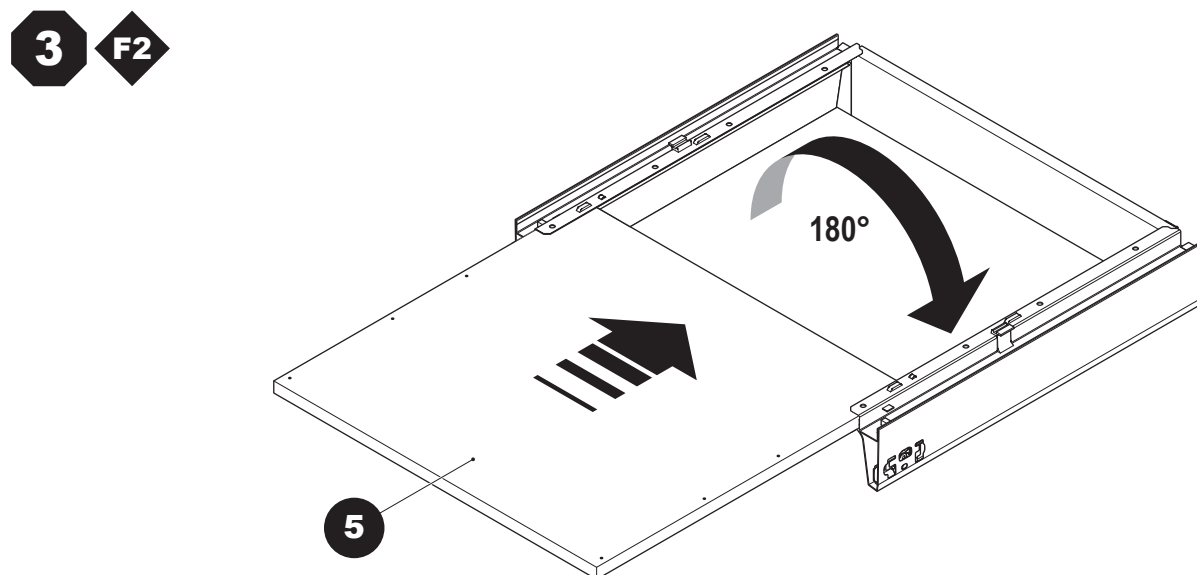
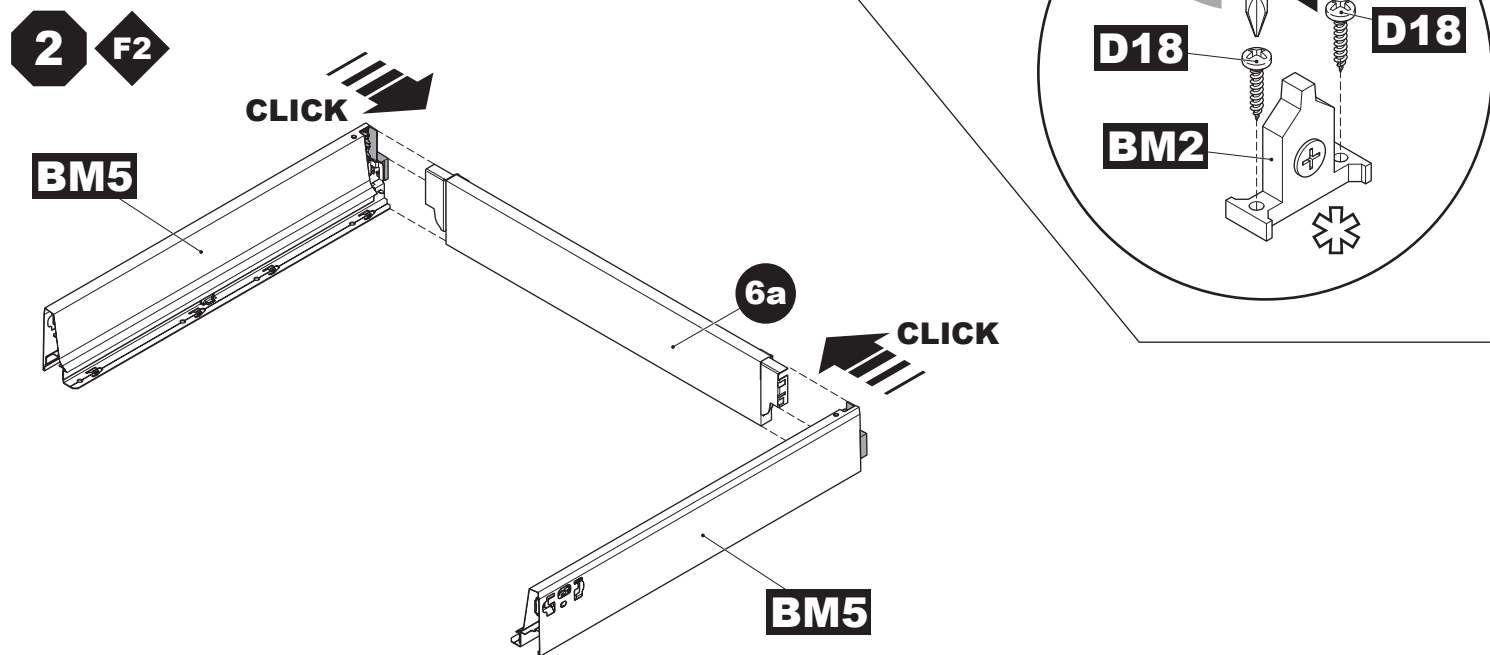
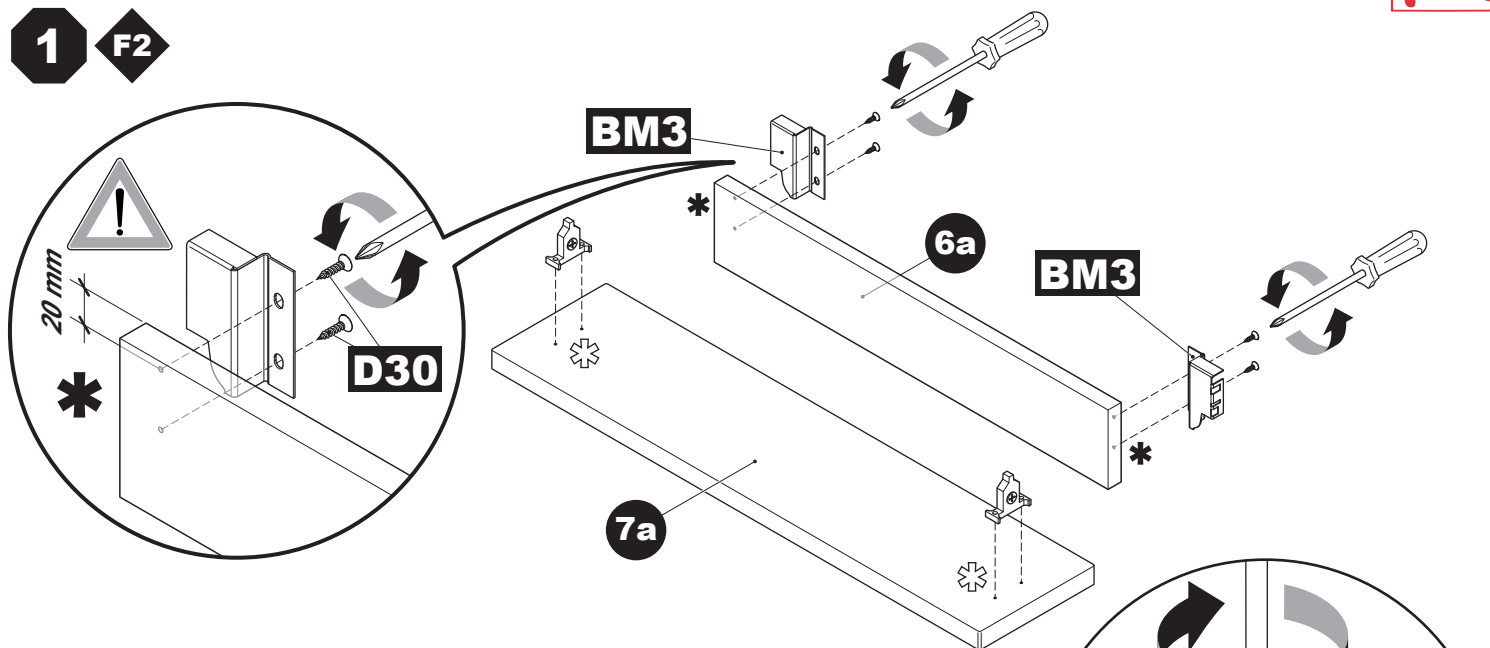


**6** **F1**



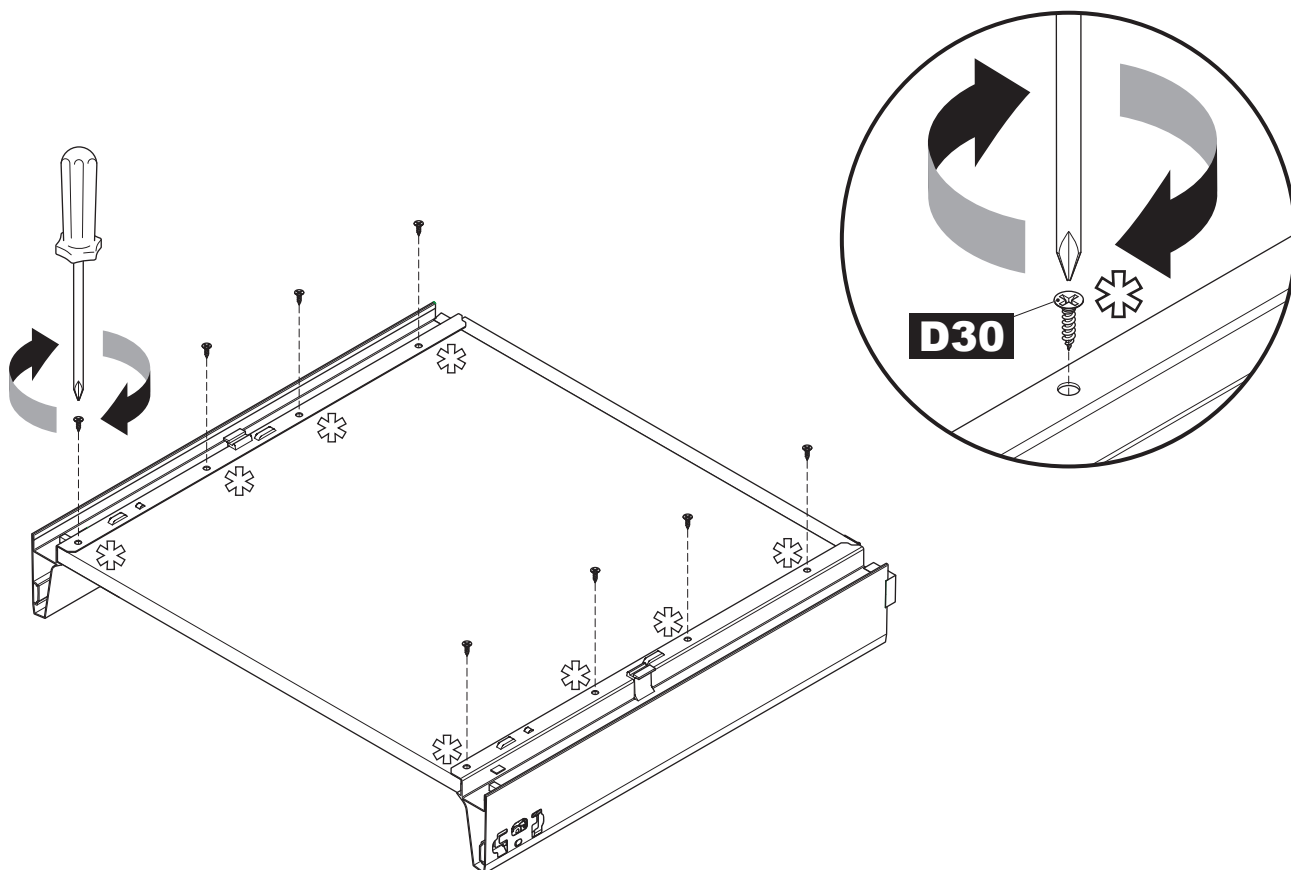
**7** **F1**



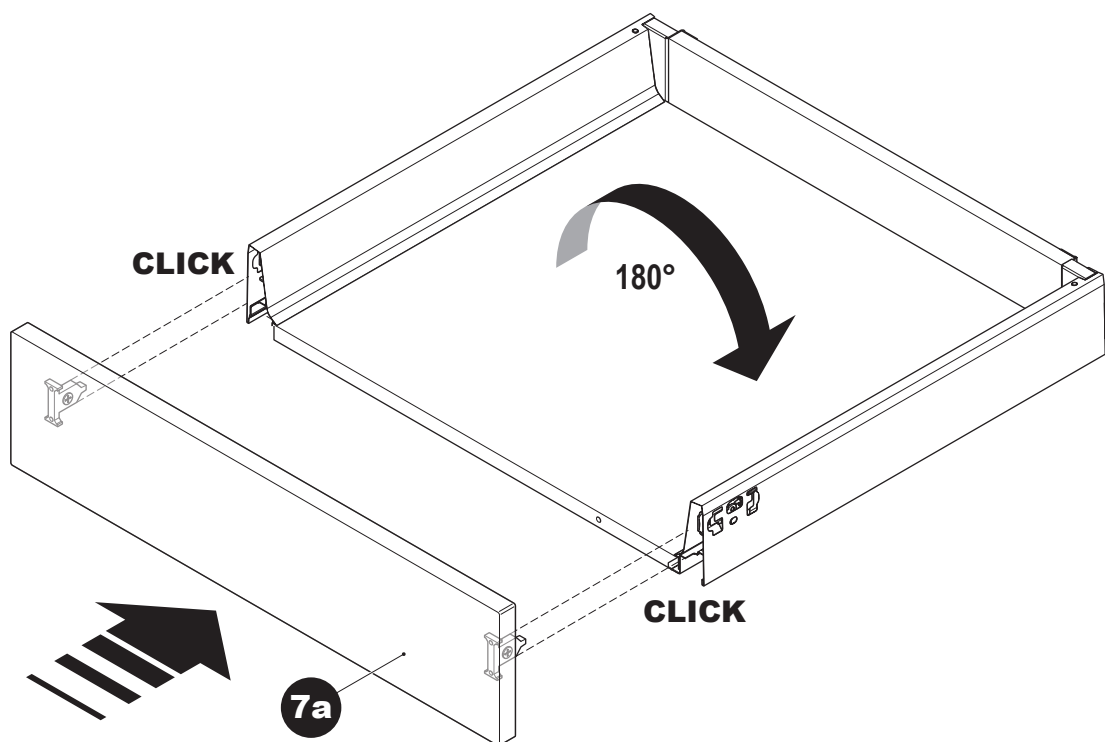




4 F2

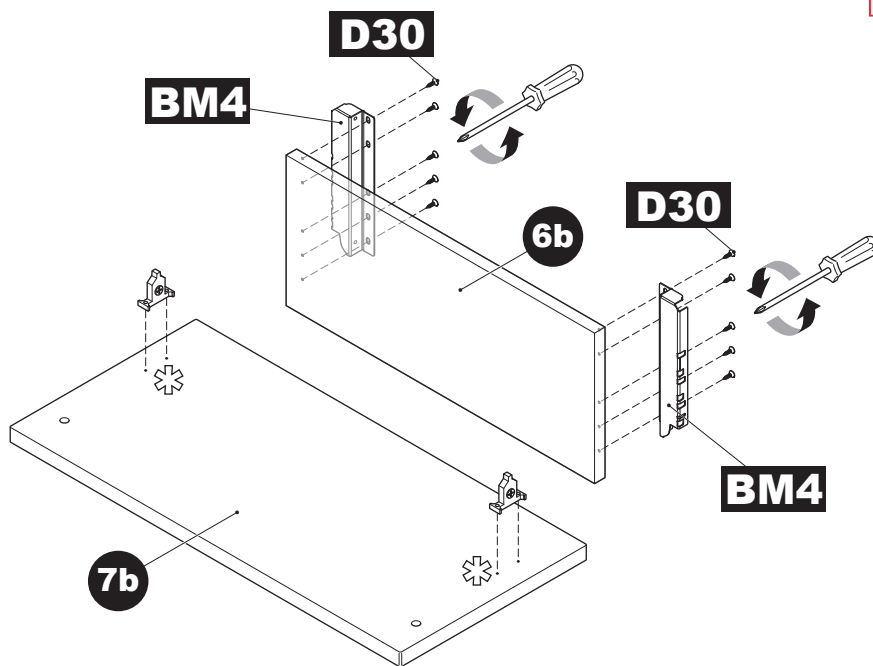
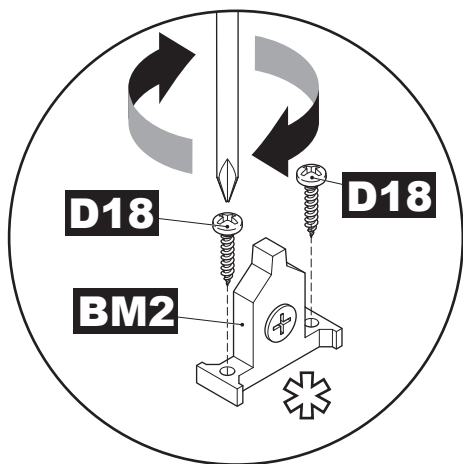


5 F2

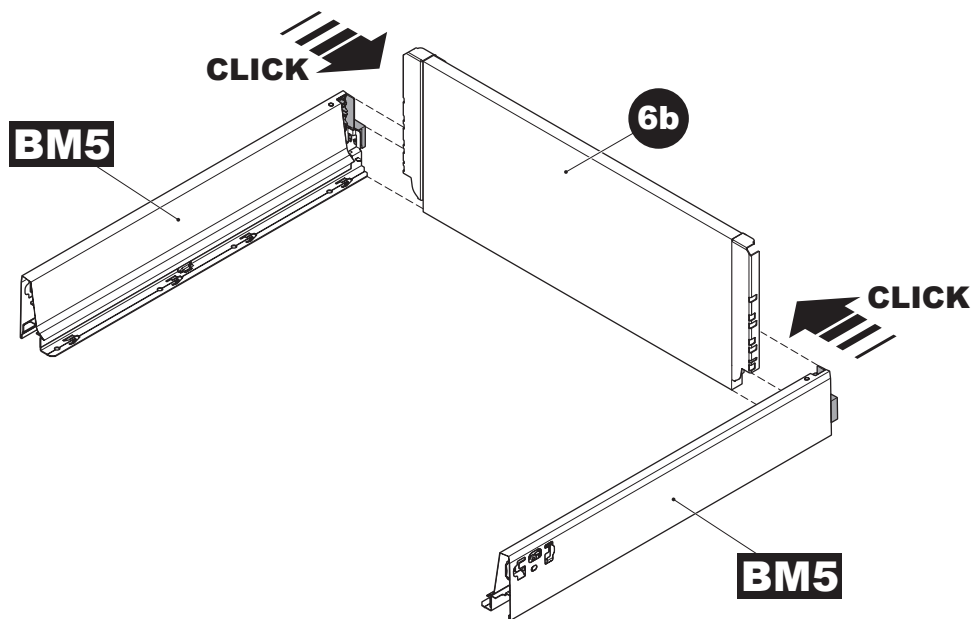




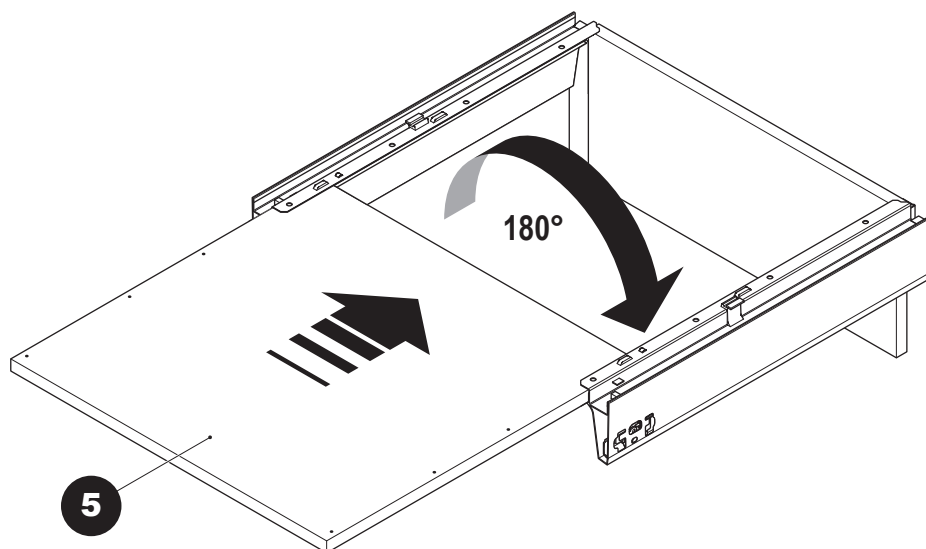
**1** **F3** **x2**



**2** **F3** **x2**

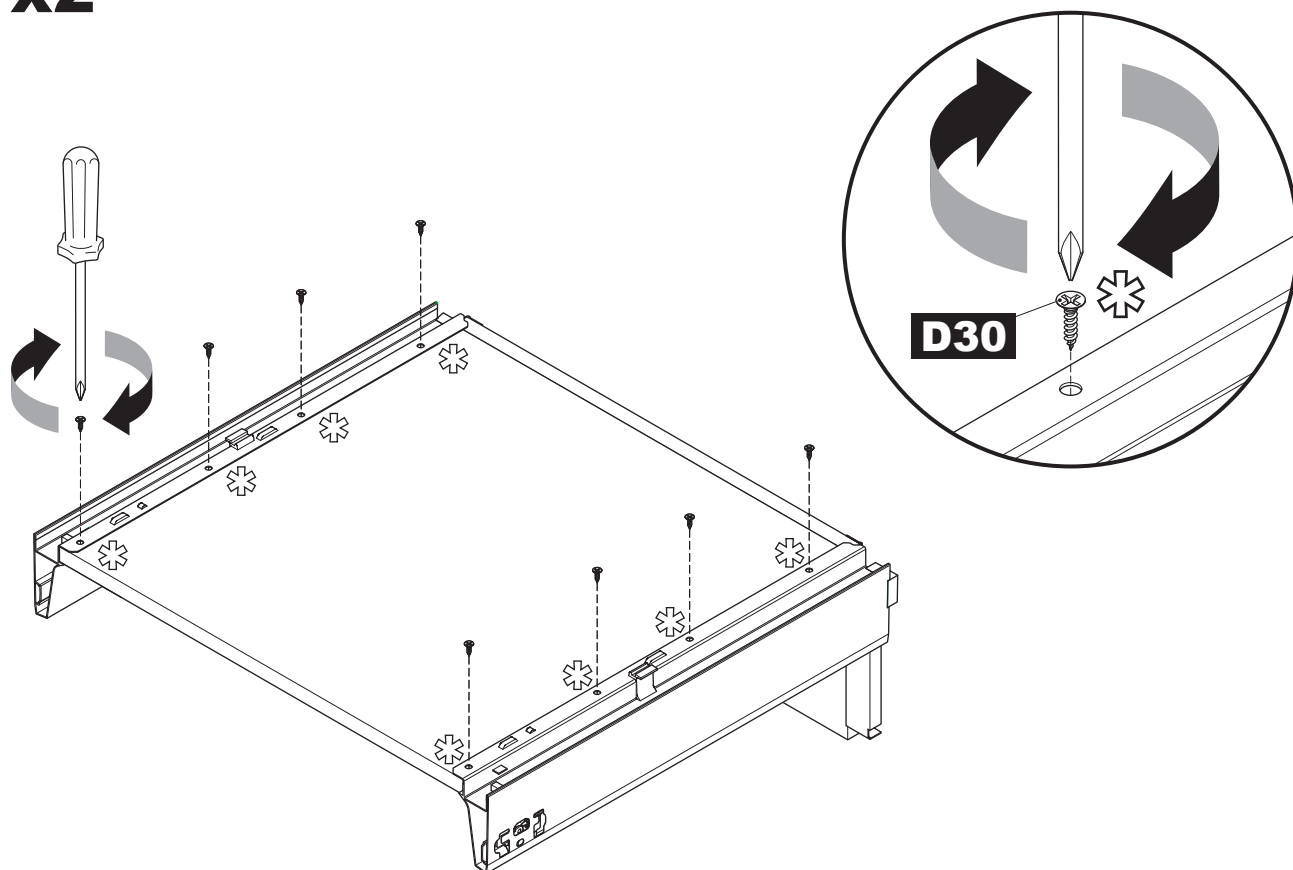


**3** **F3** **x2**

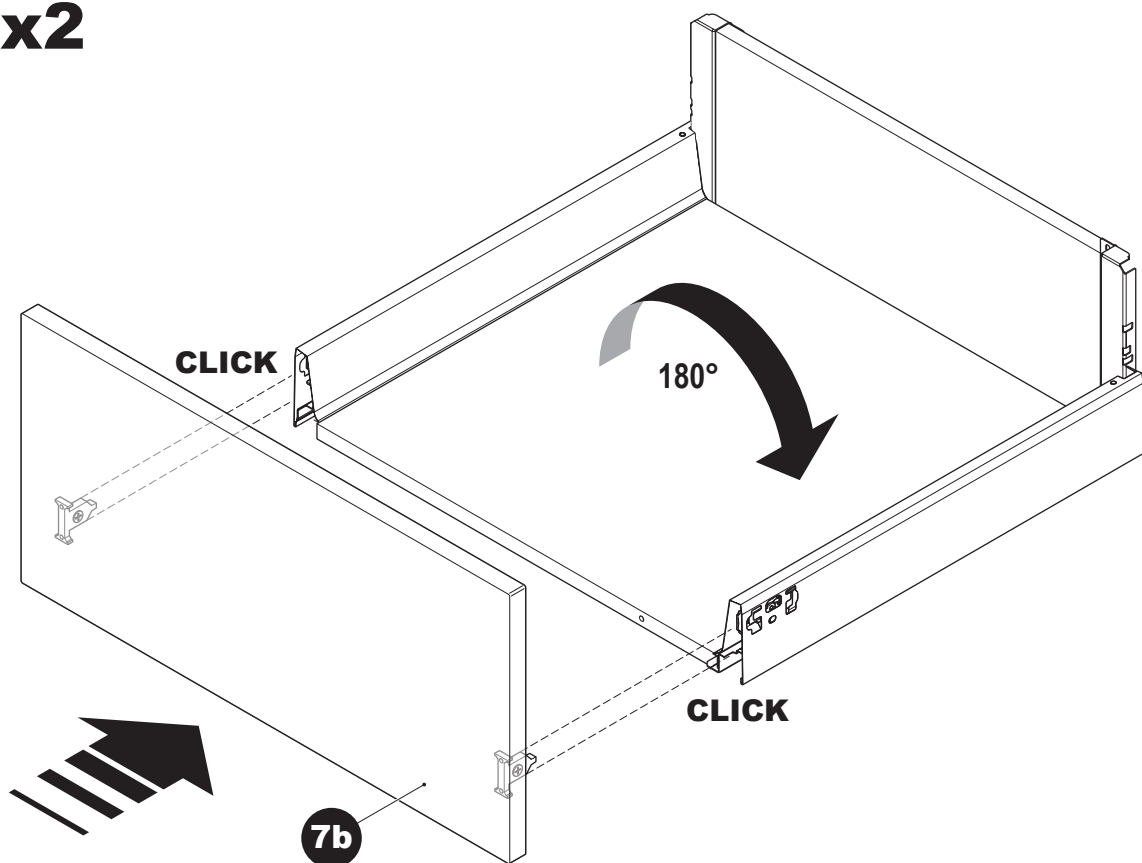




**4** **F3** **x2**

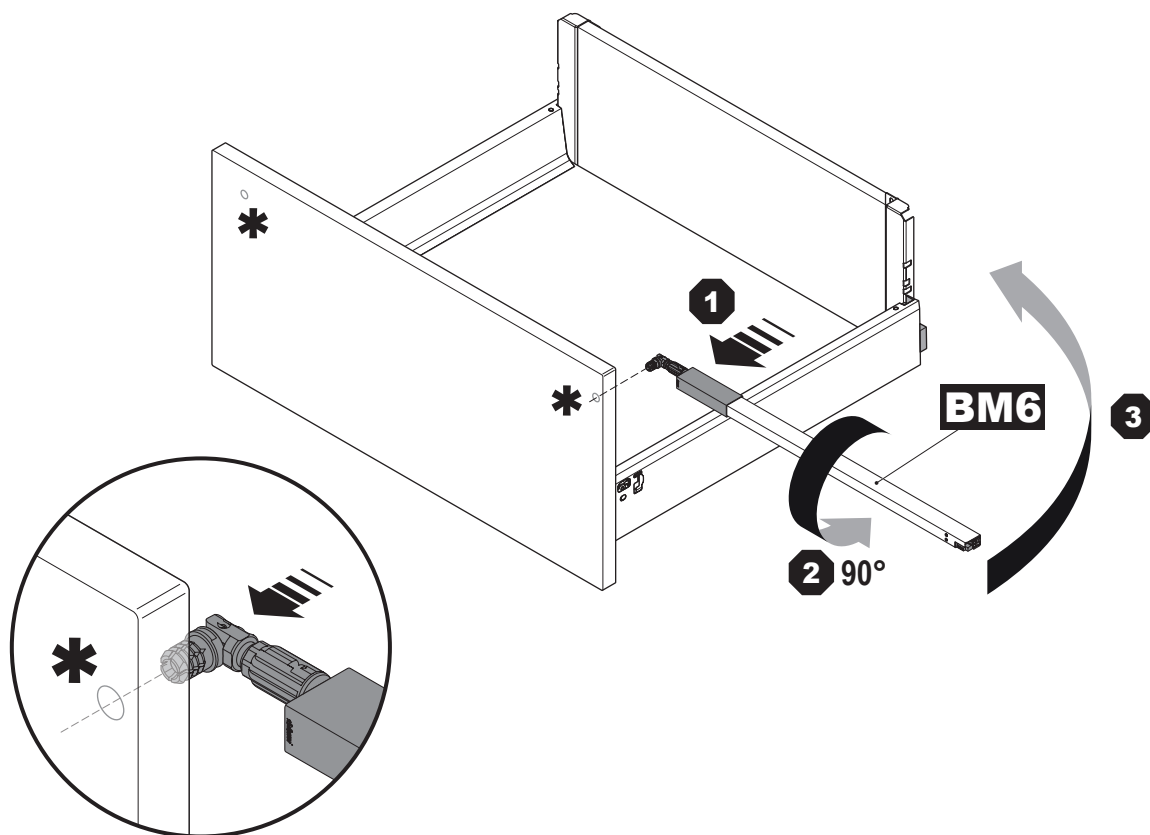


**5** **F3** **x2**

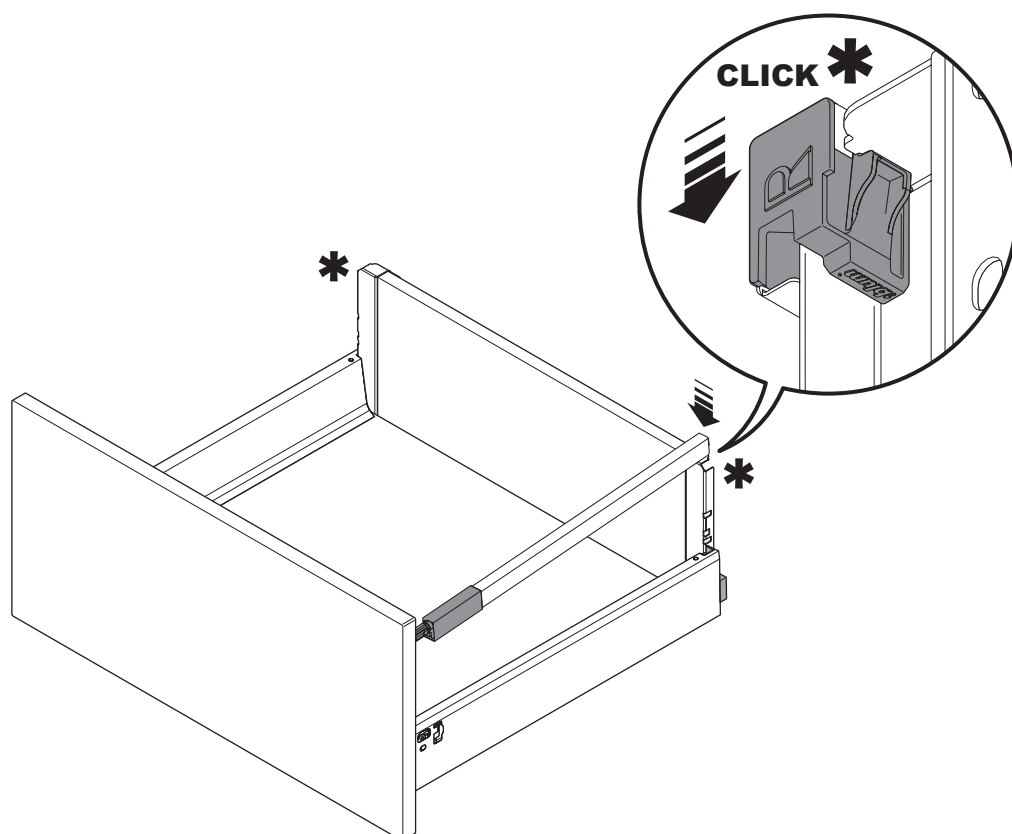




**6** **F3** **x2**

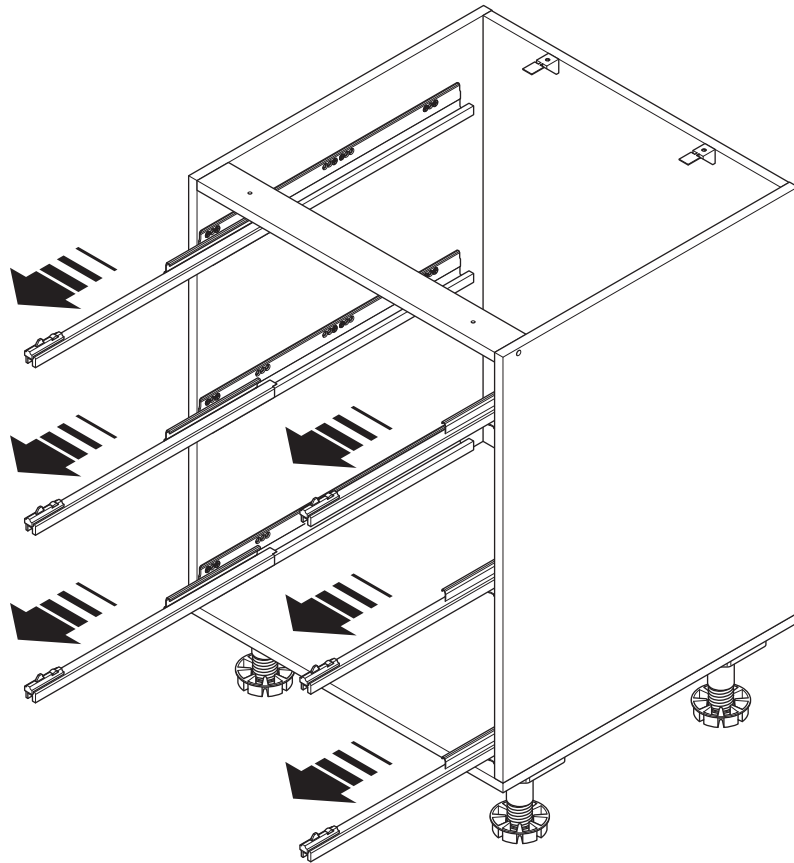


**7** **F3** **x2**

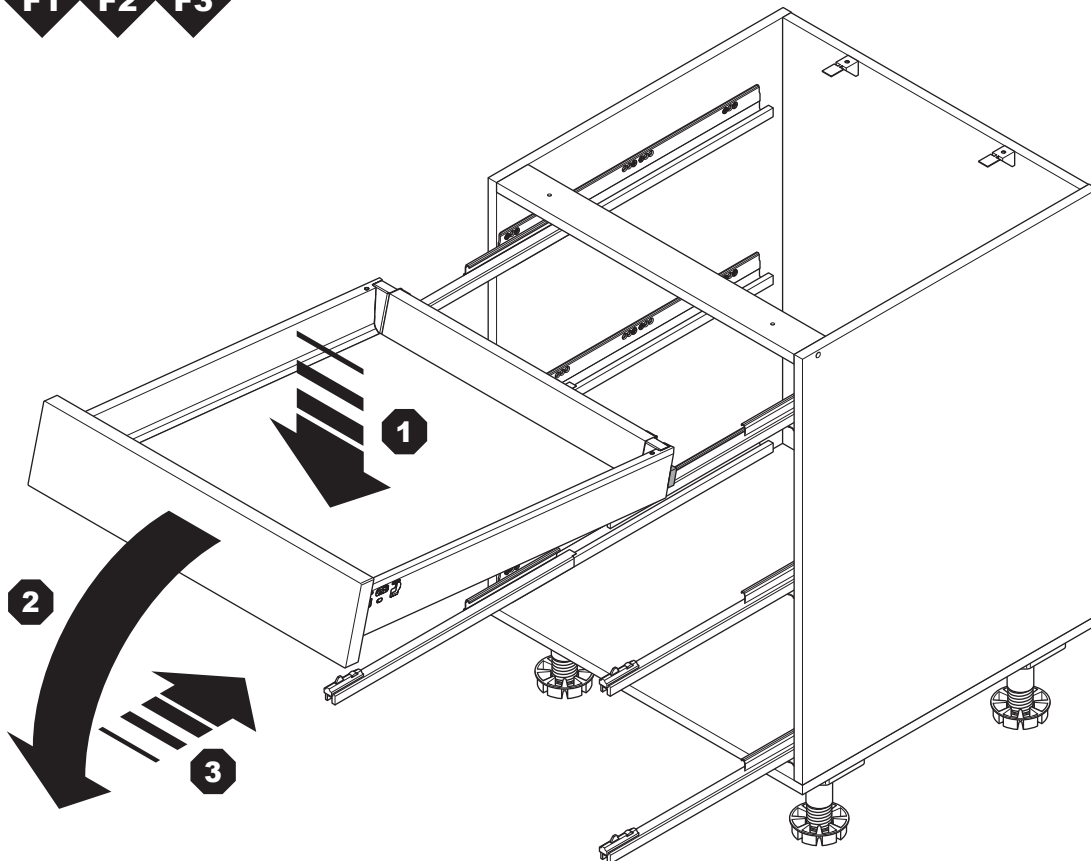




**1** **F1** **F2** **F3**



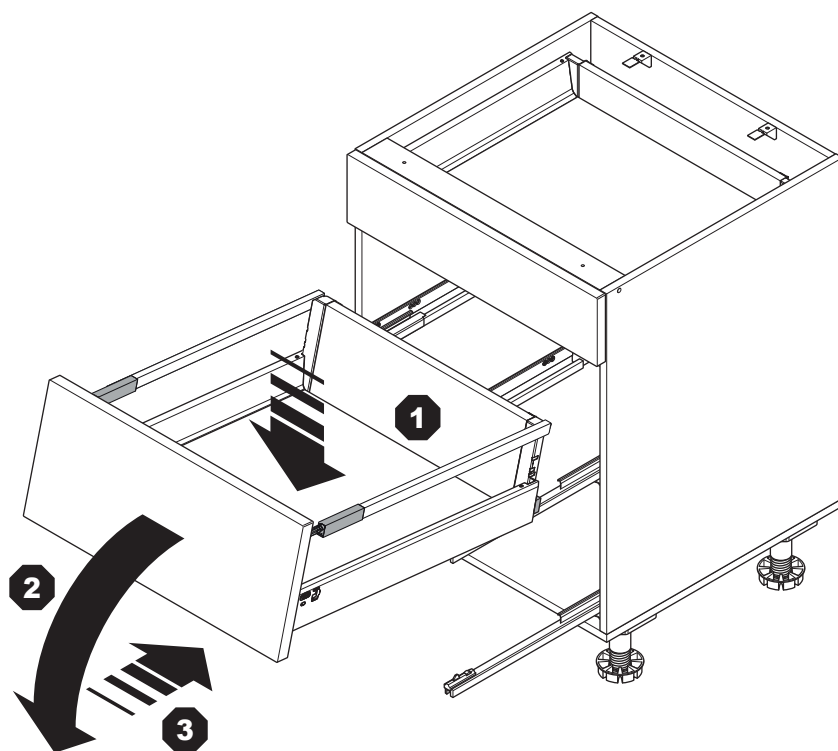
**2** **F1** **F2** **F3**



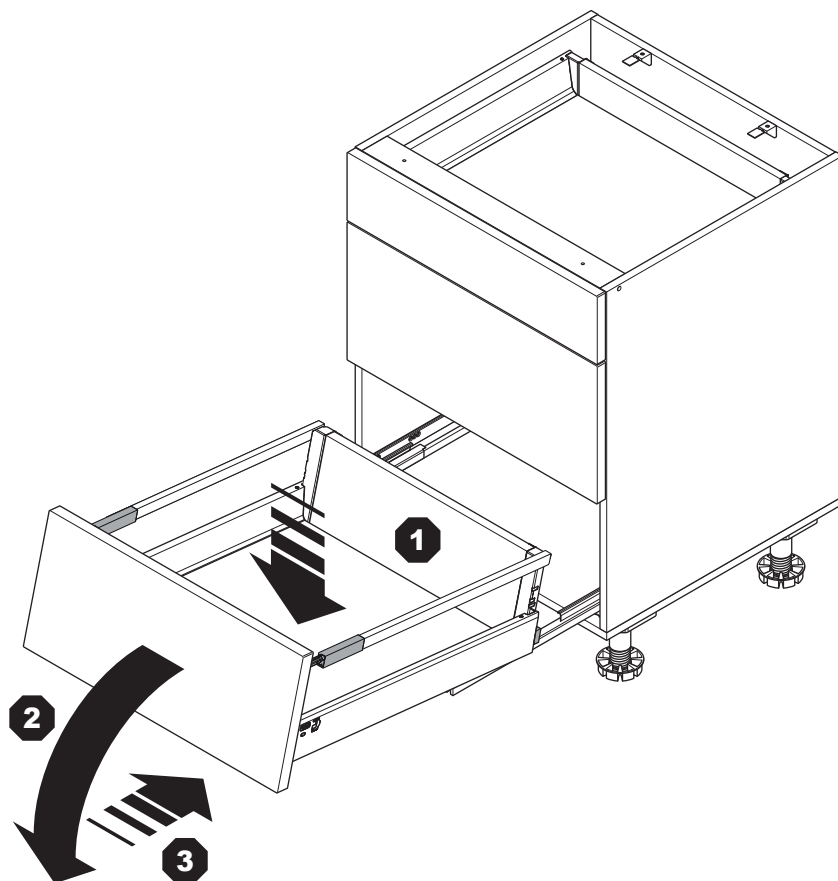




**3** **F1** **F2** **F3**

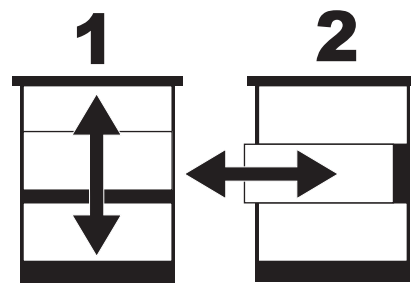
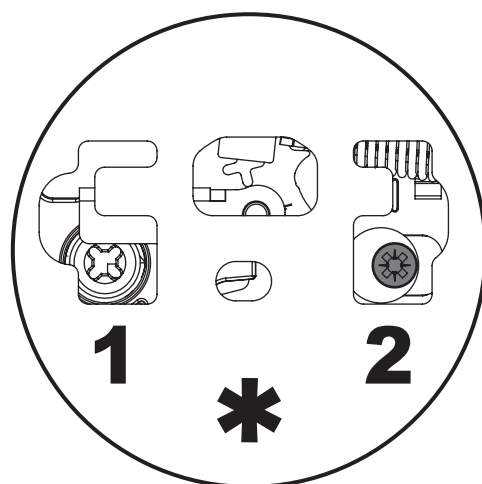
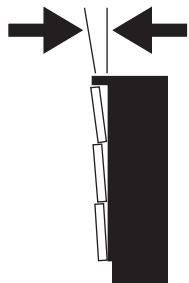
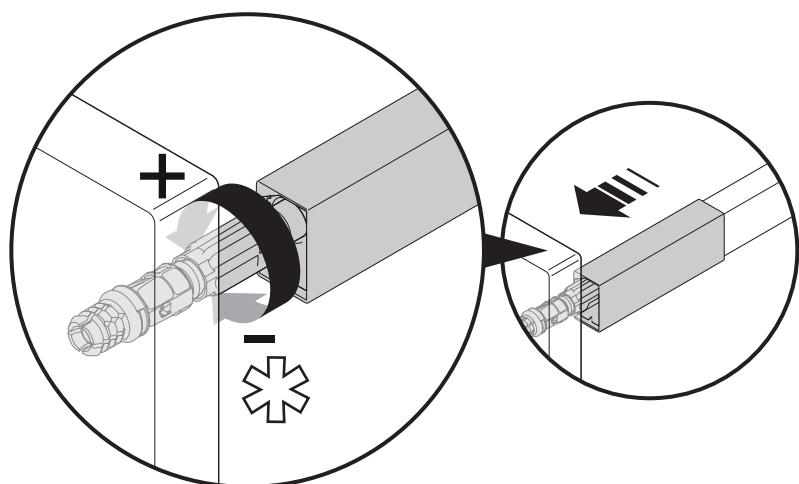
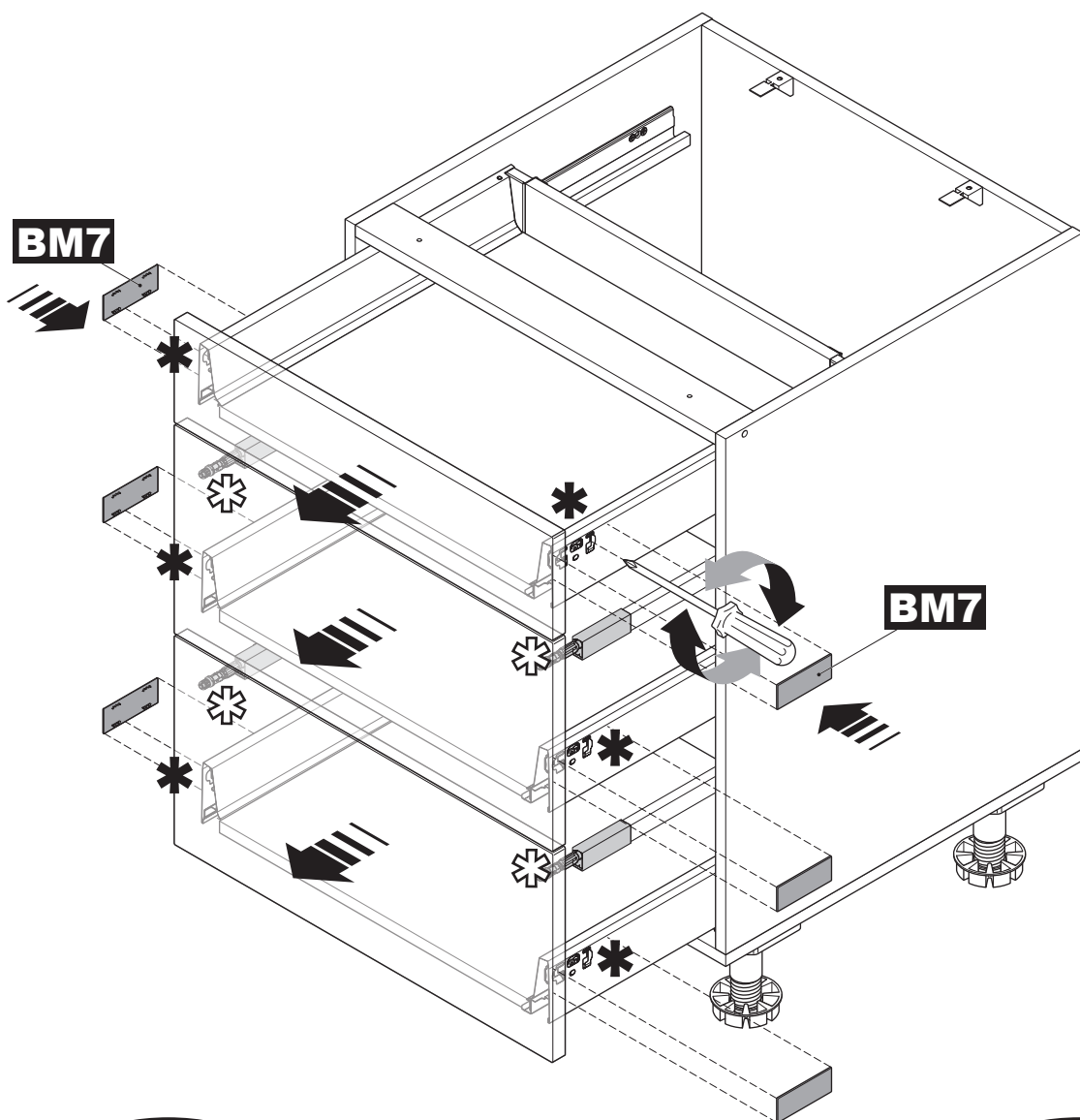


**4** **F1** **F2** **F3**



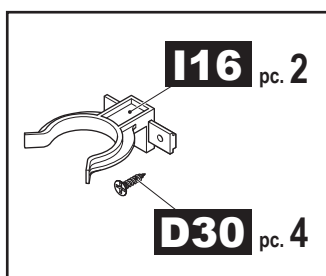
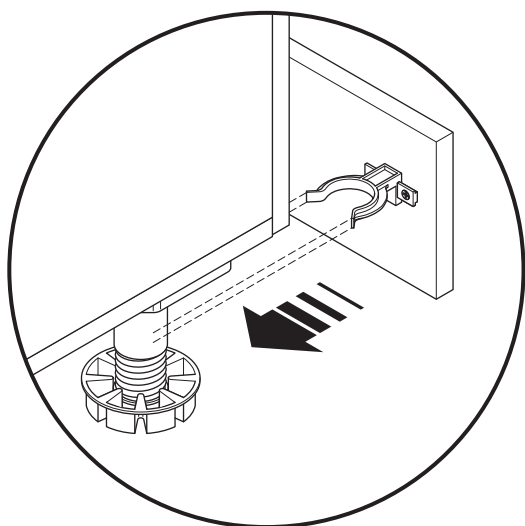
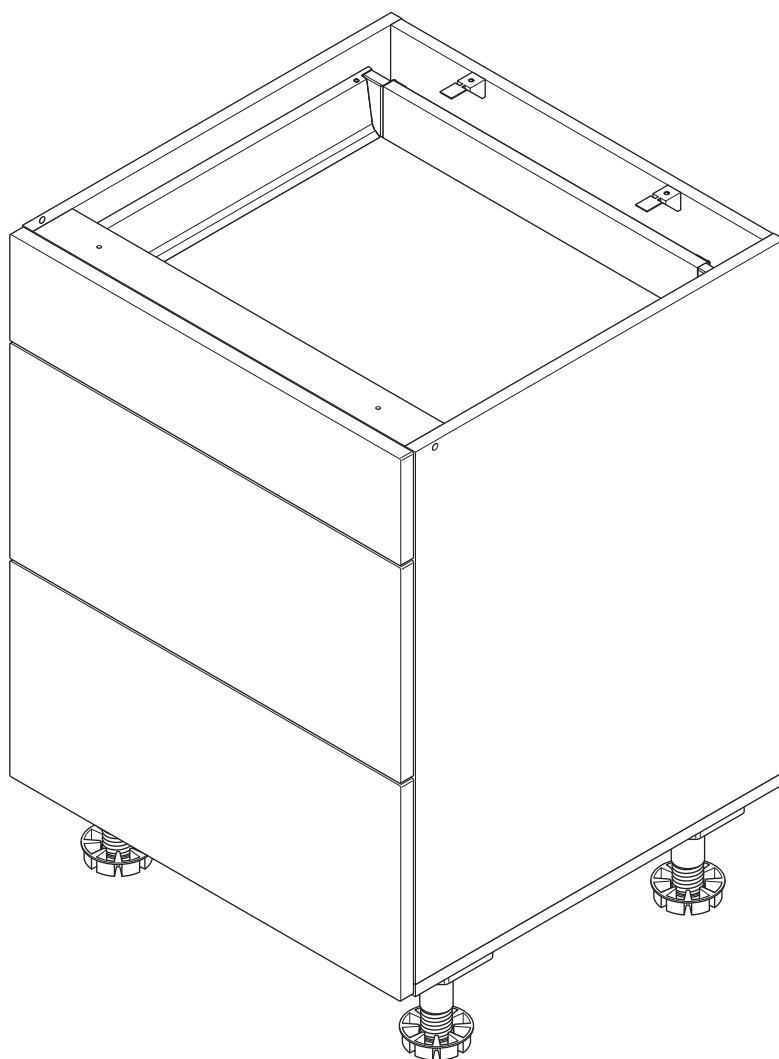


**5** **F1** **F2** **F3**





**6** **F1** **F2** **F3**





Kitchen Cabinets and Stones Limited