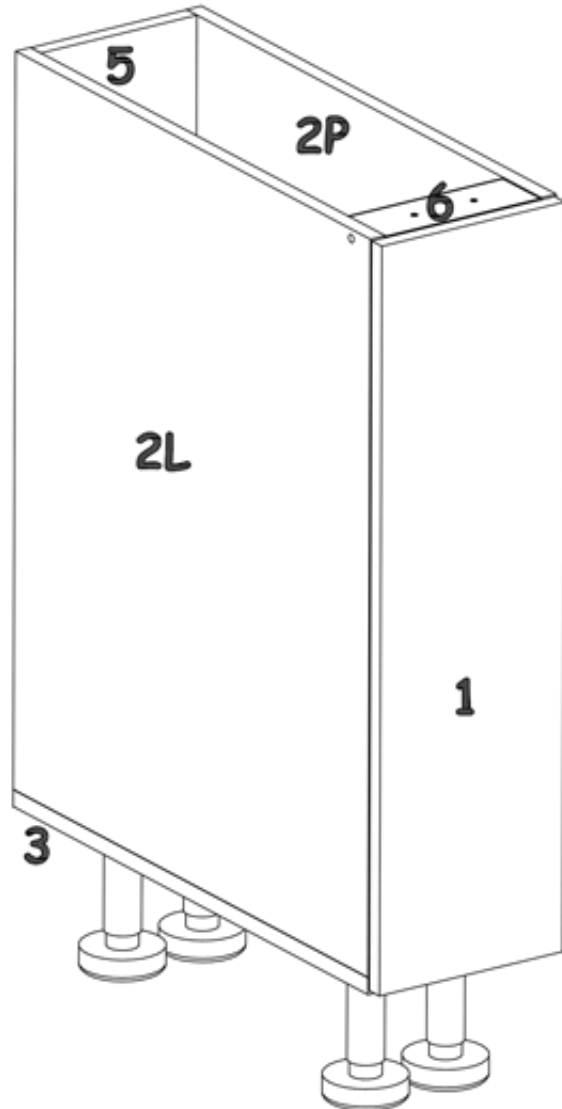


Assembly Instructions for cabinets: *S20C*

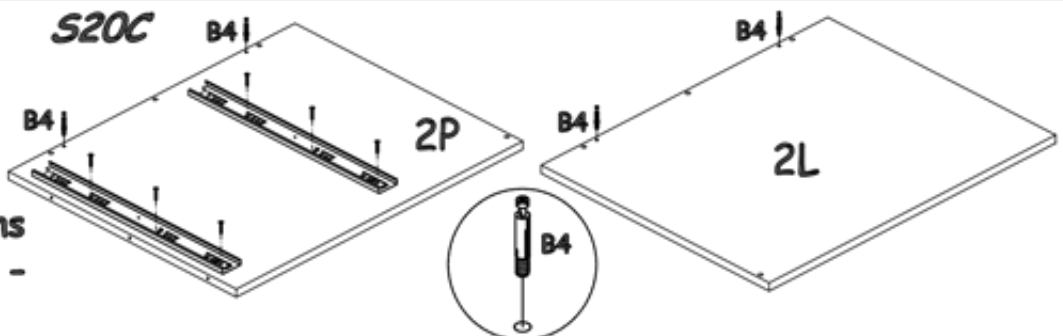
B5 4 #15x12		B4 4	
G5 4		B11 QUANTITY 8 Ø7x50	
G4 QUANTITY 8		UP6 QUANTITY 10 #UP4x30	
I15 QUANTITY 4		I14 QUANTITY 2	
D30 8 US #3,5x16		A1 6 #8x36	
G2 QUANTITY 1		D27 16 US #4x35	
UP4 14 UP #4x16		KM1 X2	

Check all the items are in your box according to the list on this manual. If you are missing anything, please check all other boxes first and then send us an email with a list of the parts you need.

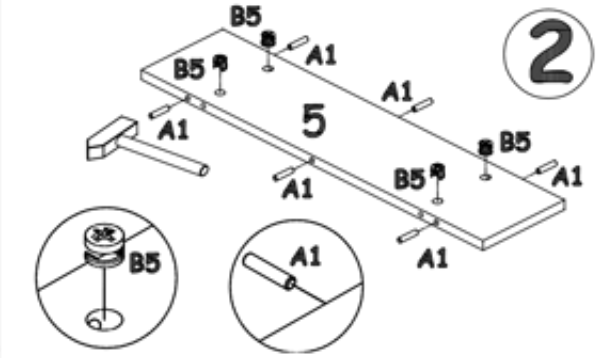
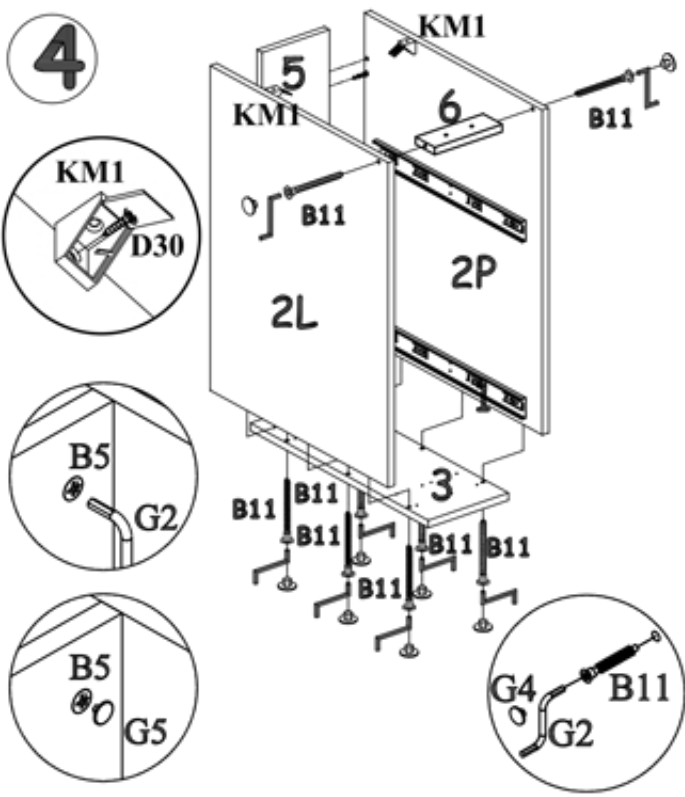


1

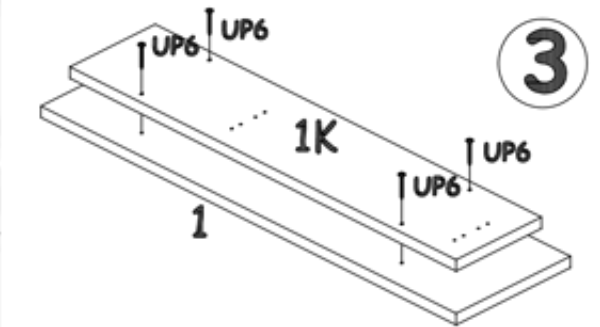
See instructions for cargo - pack 2



Screw on metal runners for baskets to the panel 2P. Screw in the B4 cam screws.

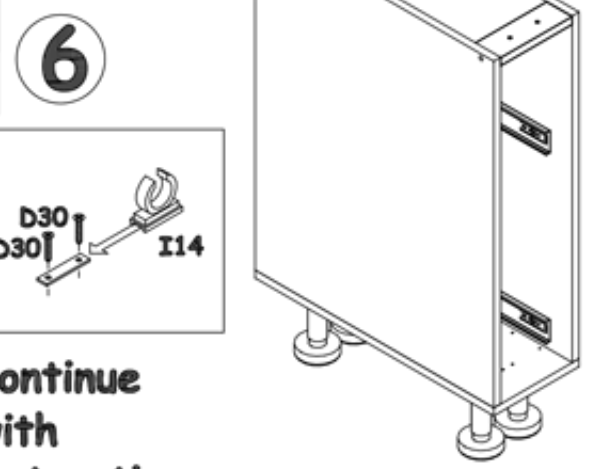


Knock in A1 Dowels, and push in B5 cam locks into the back panel 5.

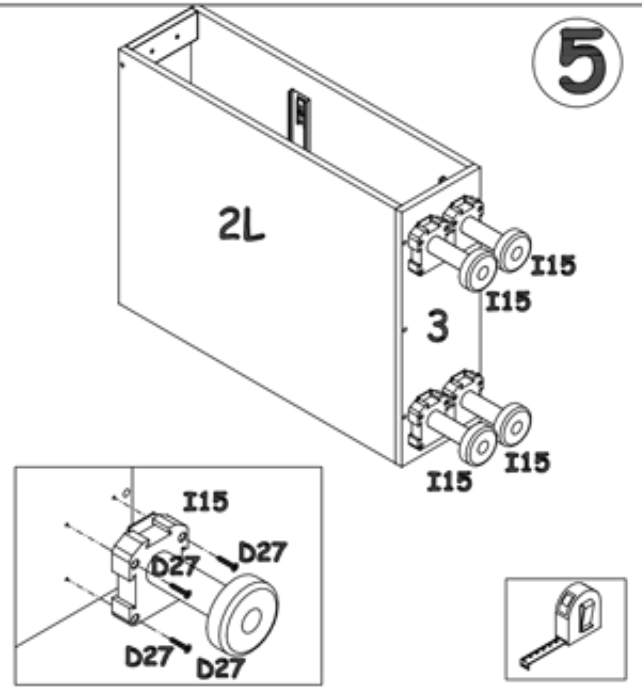


Screw panel 1K to the inside of panel 1 with UP6 Screws.

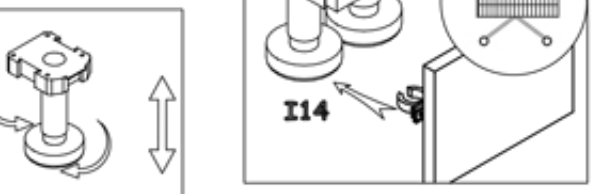
Screw together cabinet body with B11 screws and allen key tool. Push sides together so that the B4 Cam screws slide into the corresponding holes on the other panel. Now tighten B5 Cam lock and cover with G5 cap. Screw on KM1 bench top brackets.



Continue with instructions for cargo - pack 2



Carefully lay the cabinet down on a non-scratch surface. Screw on the feet with D27 screws.



Adjust feet to make the top of the cabinet level and follow instructions for fitting toe kicks.