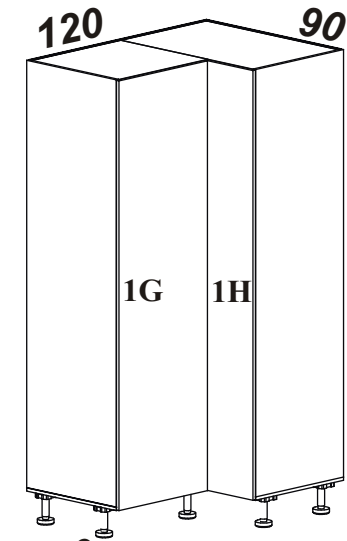
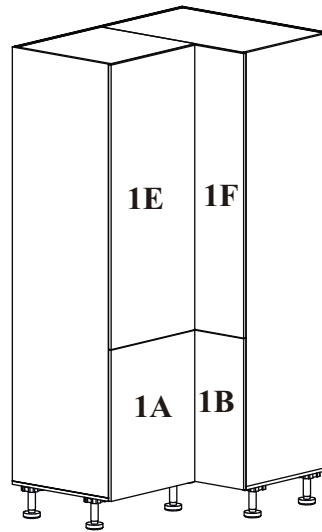


# EURO S120/90/222/\*D

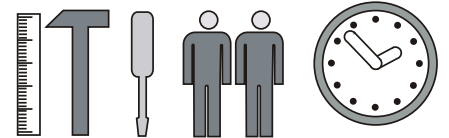
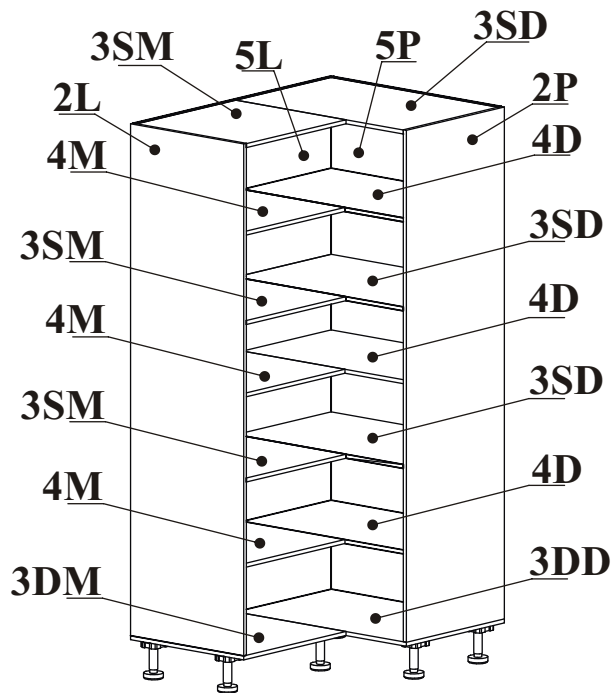
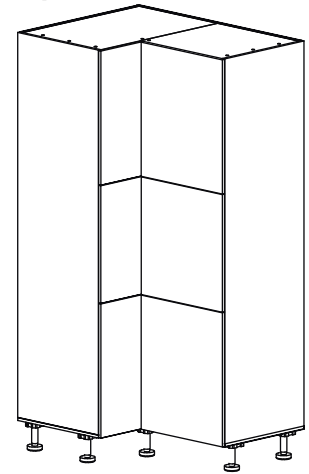
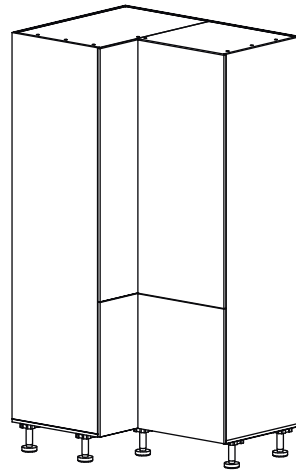
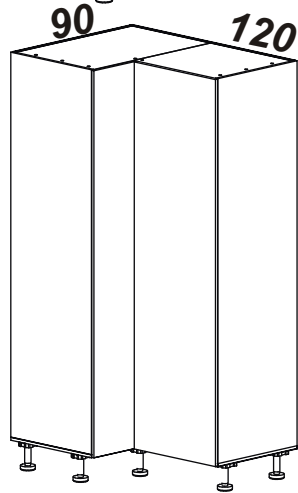
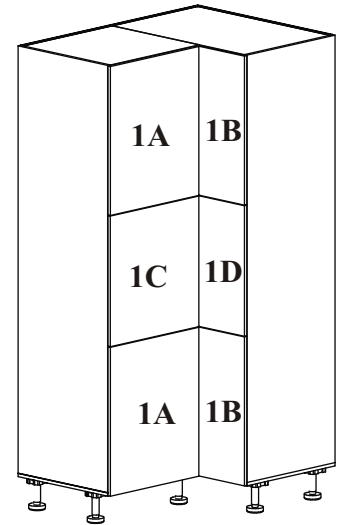
S120\_90\_222\_D-2D



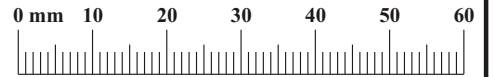
S120\_90\_222\_D-4D



S120\_90\_222\_D-6D

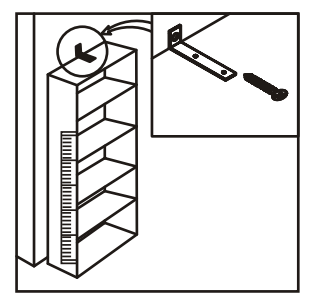
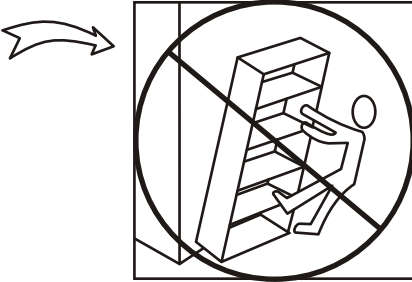
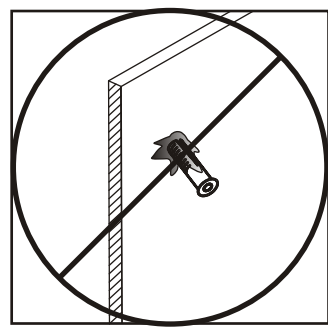
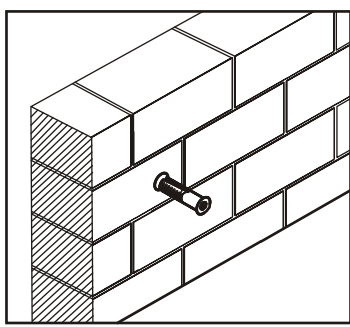
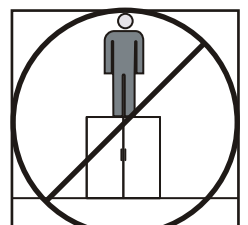
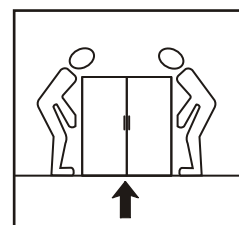
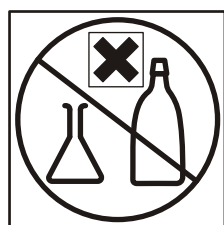
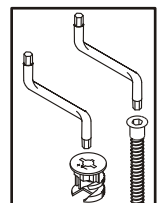
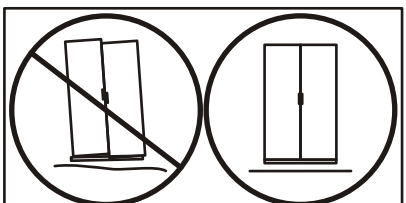
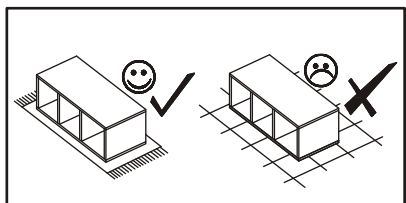
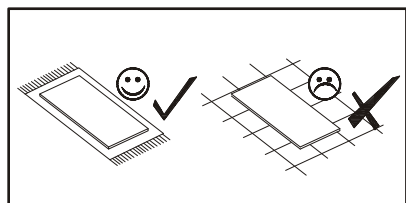
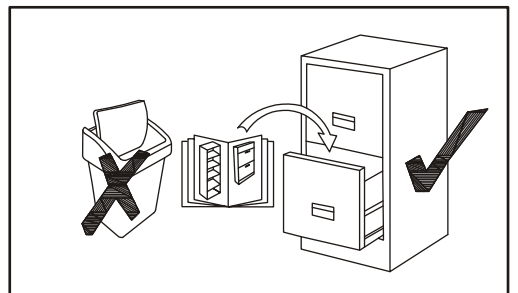
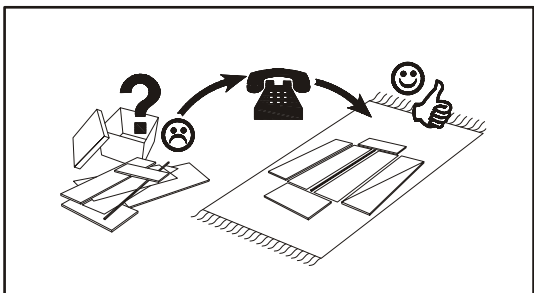
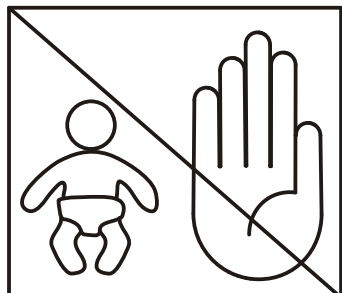
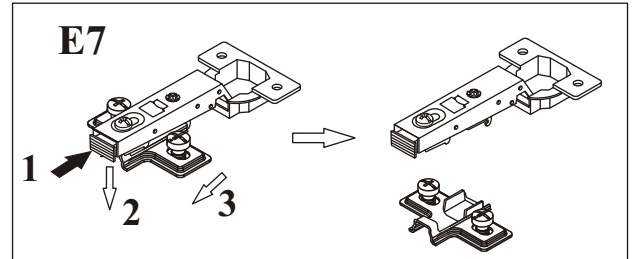
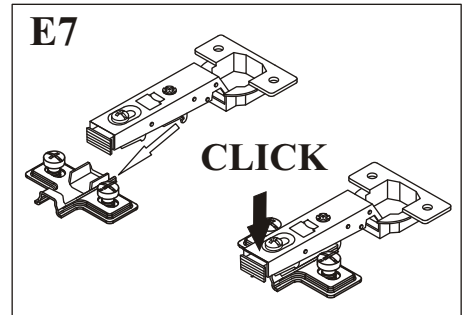


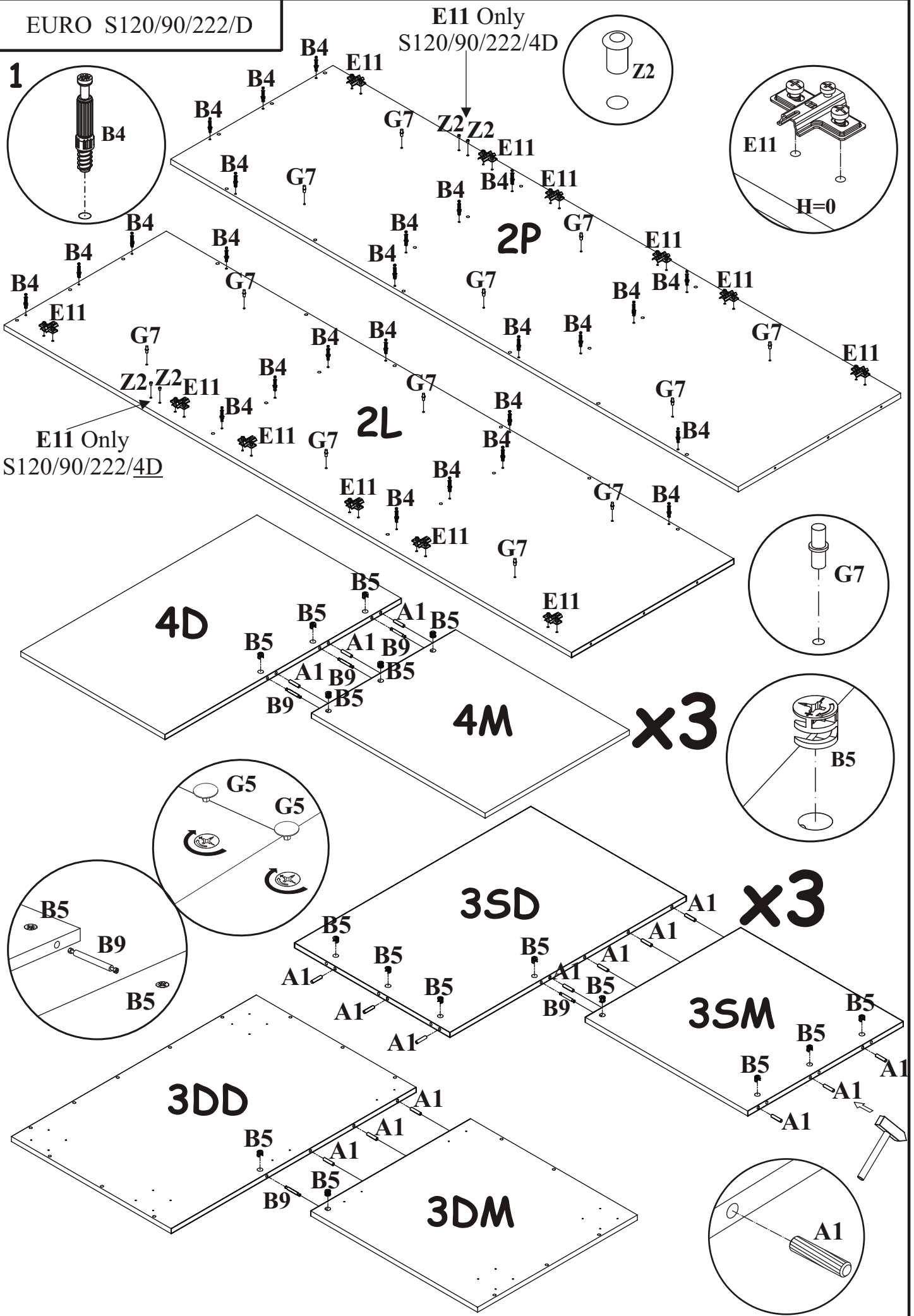
120 min



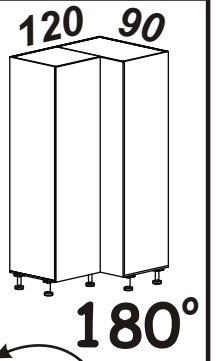
A1 X54 ø8x36	B4 X26	B5 X52 ø15x12	G5 X52	Z2 X16 ø5	G7 X36
E10 X12	E11 X12 H=0	B11 X44 ø7x50	G4 X44	D10 X24 USØ3,5x13	G2 X1
D27 X28 USØ4x35	I15 X7 L-150 mm	I16 X4	D30 X32 USØ3,5x16	G3 X16 ø35	B9 X13 ø7x48

AR1 X12	AR2 X12
------------	------------





2

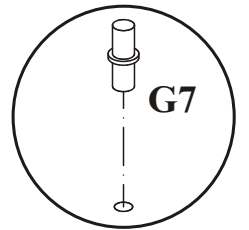
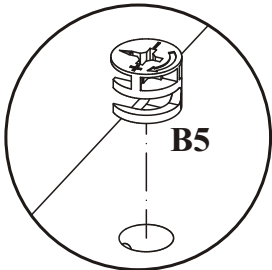
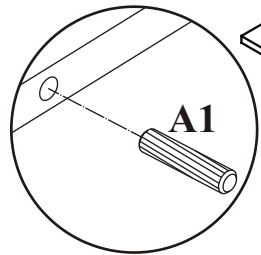


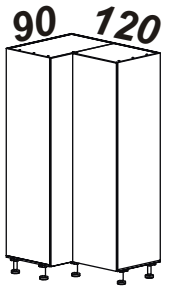
5L

5L

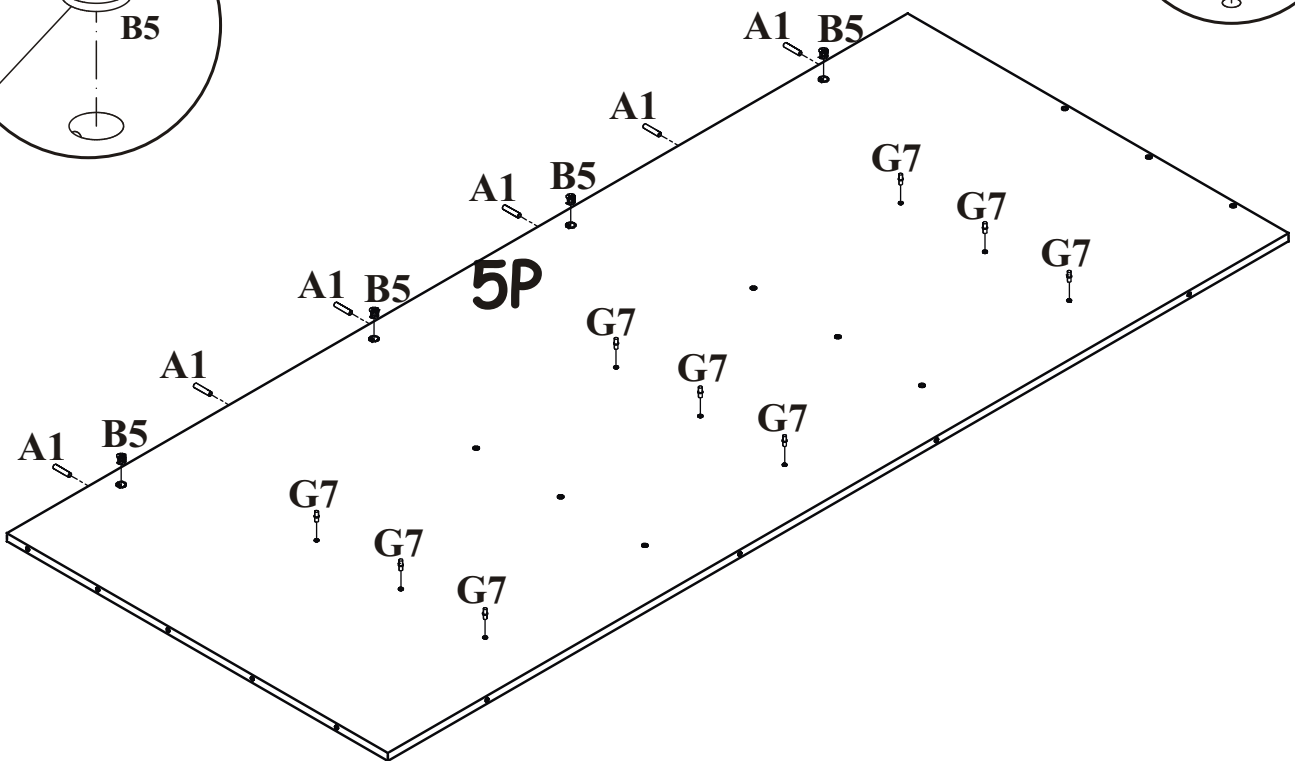
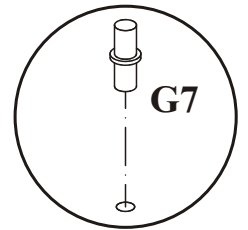
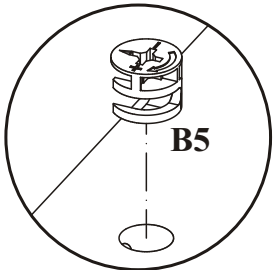
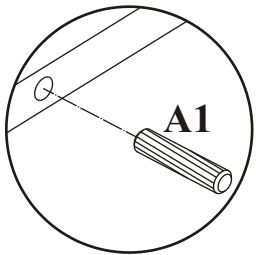
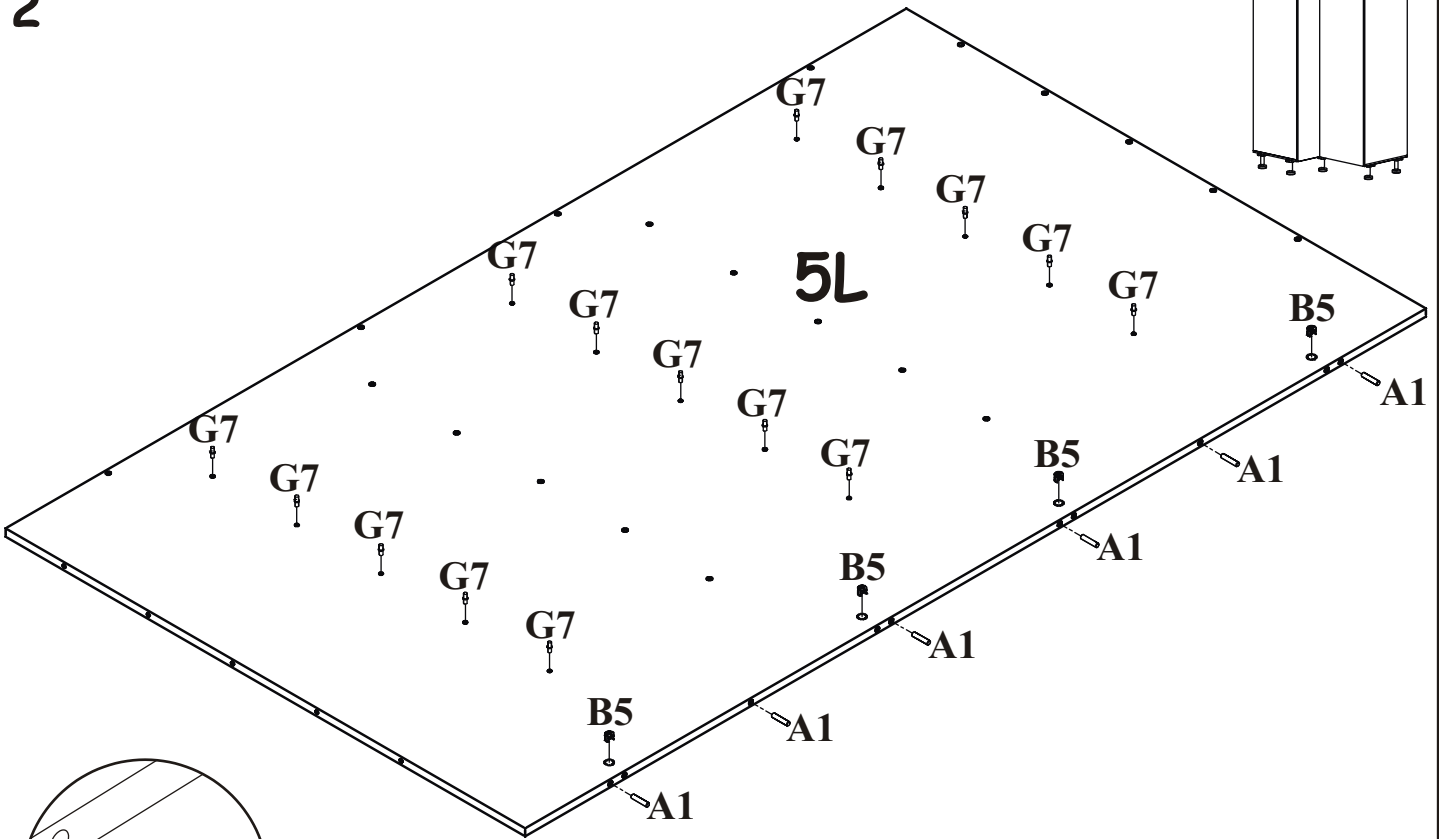
5P

5P

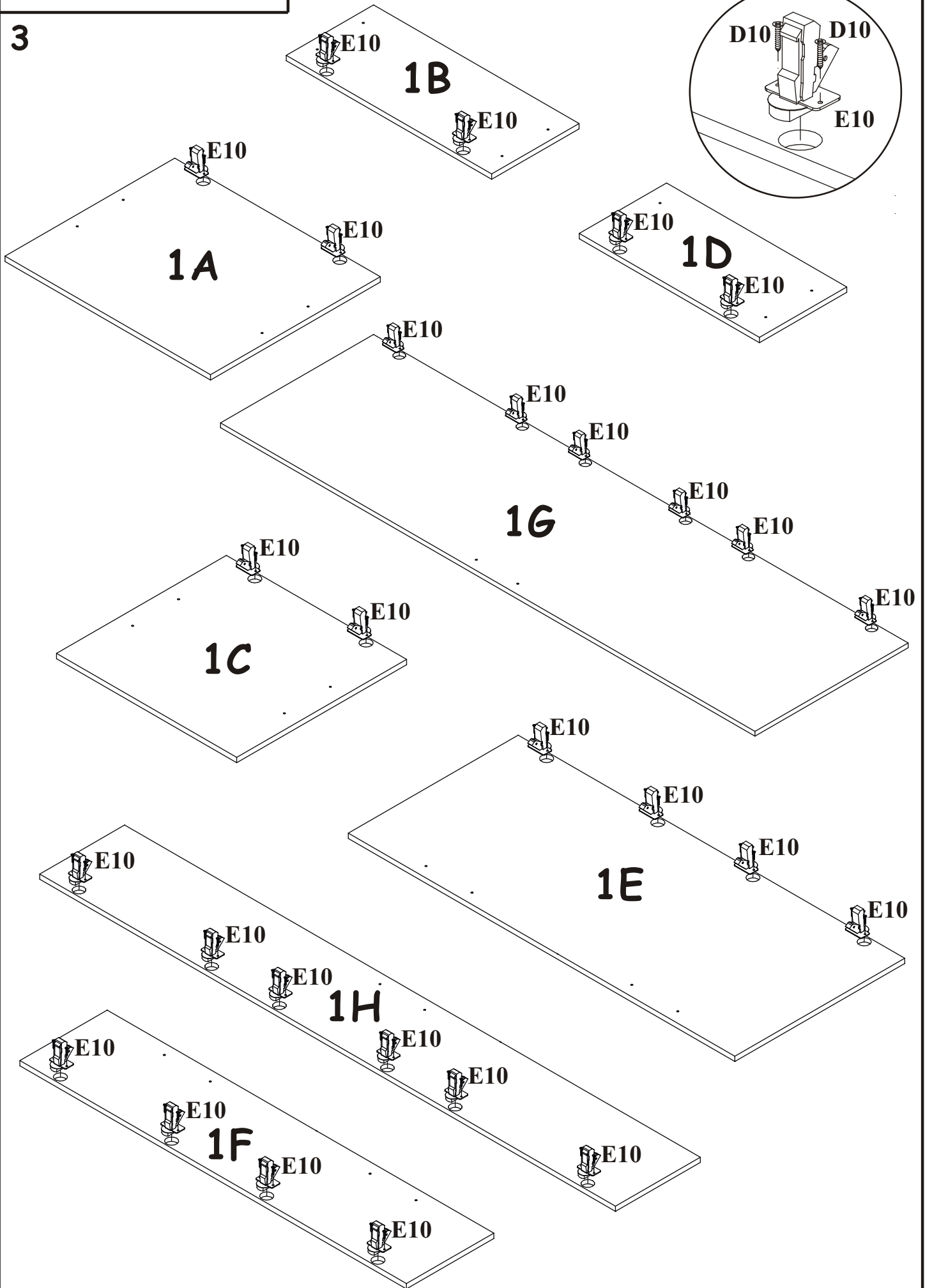




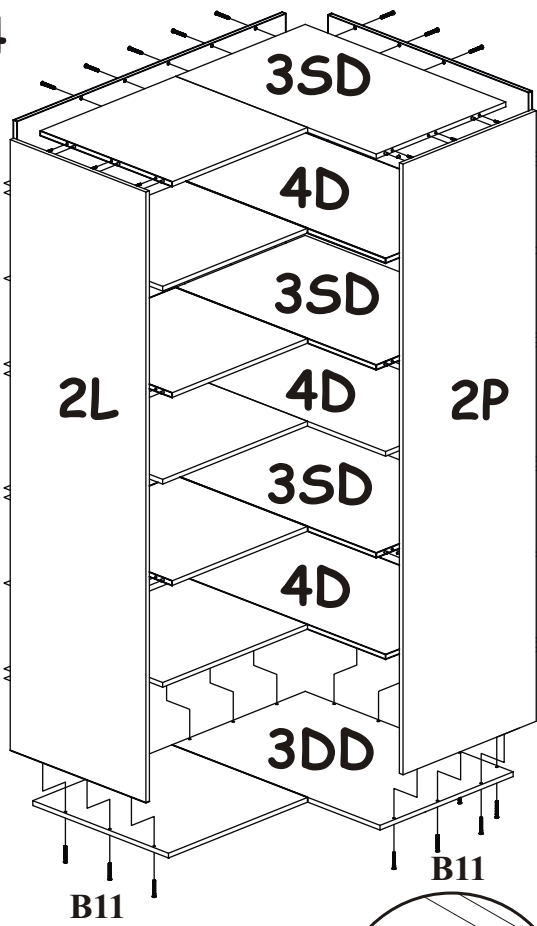
2



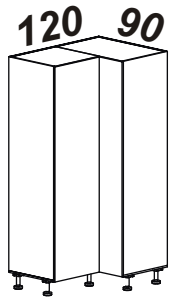
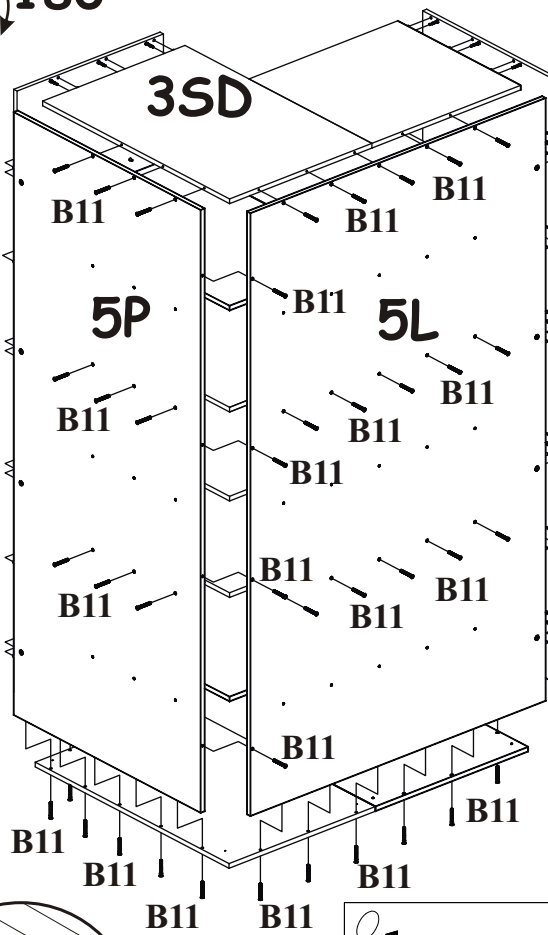
3



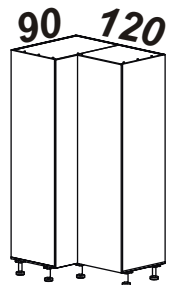
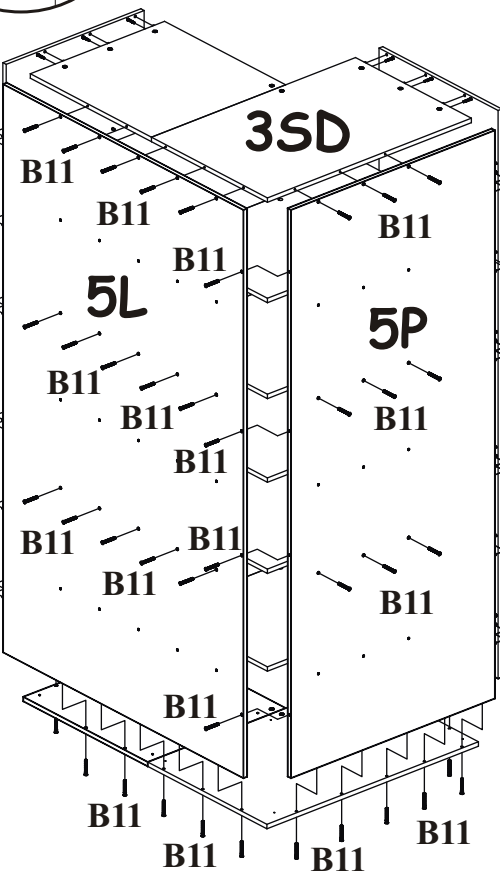
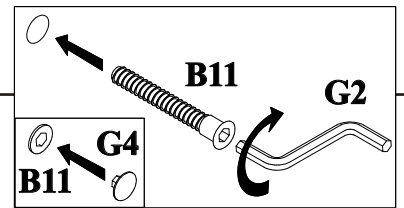
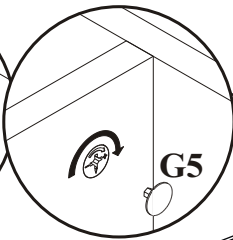
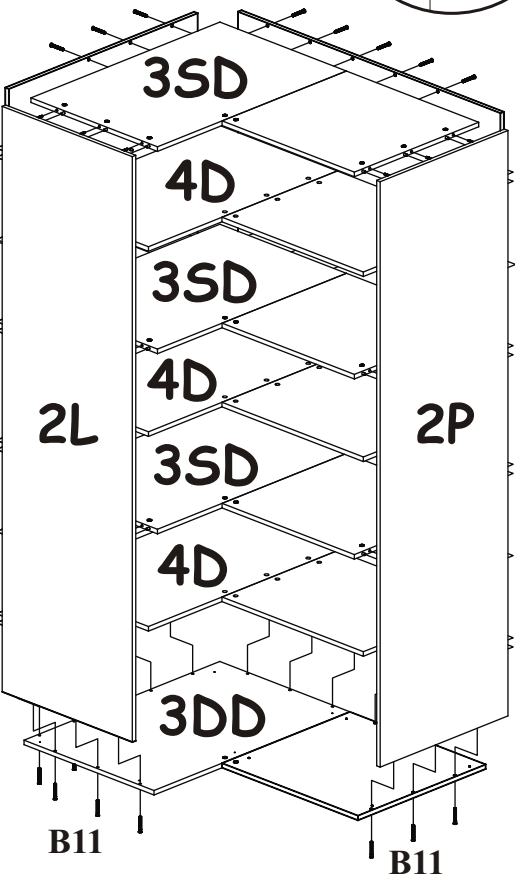
4



180°



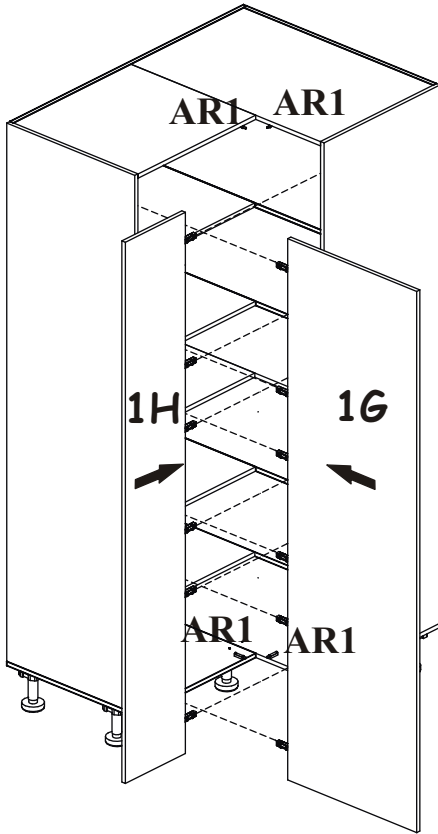
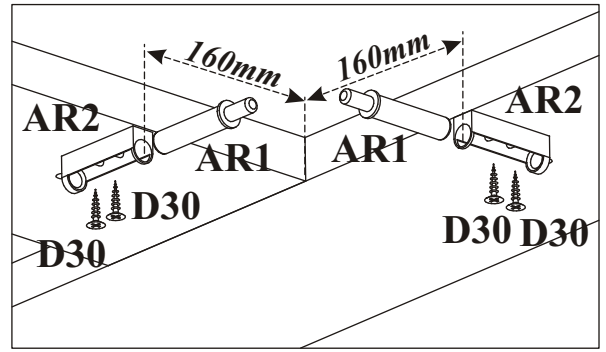
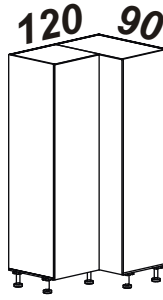
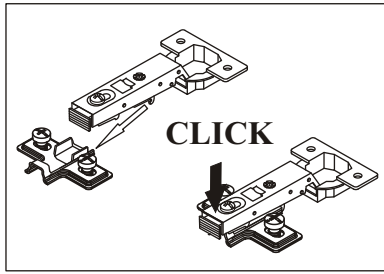
4



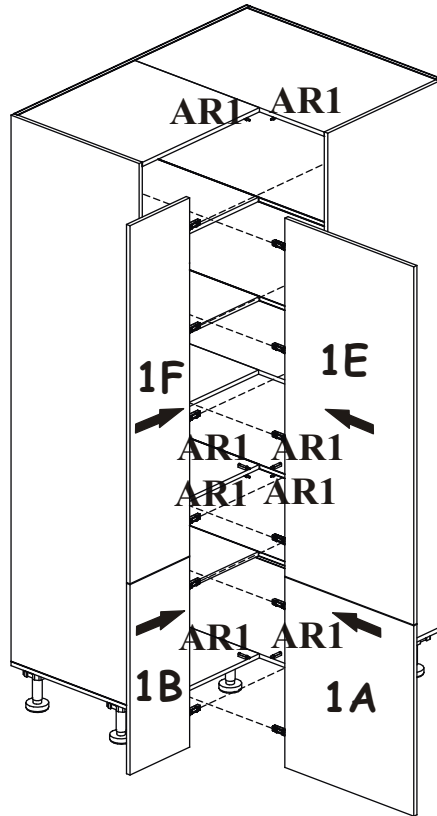




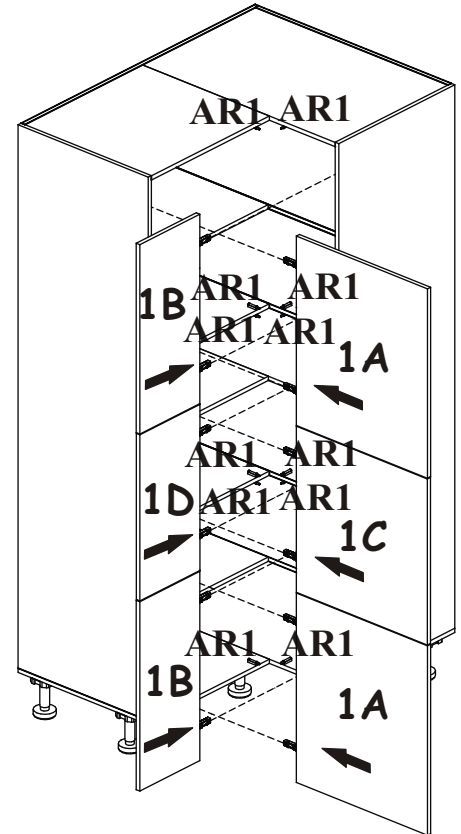
6



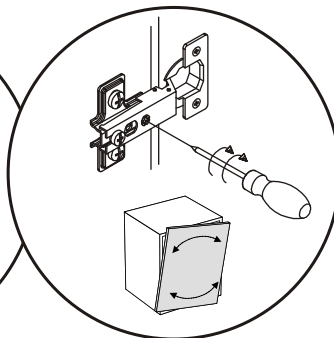
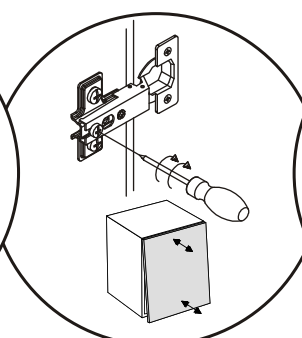
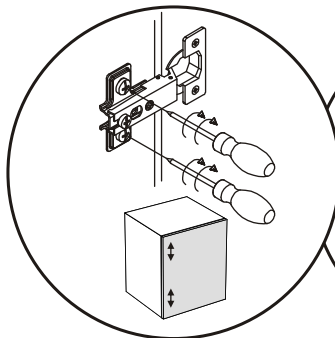
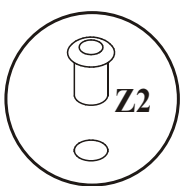
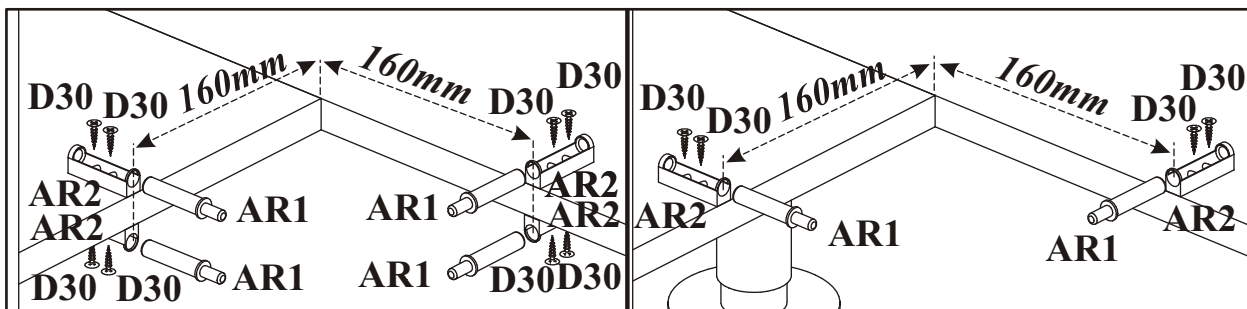
S120\_90\_222\_D-2D



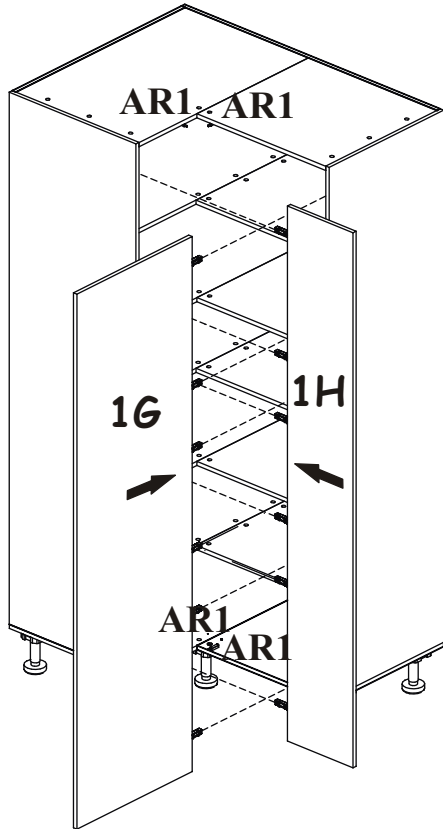
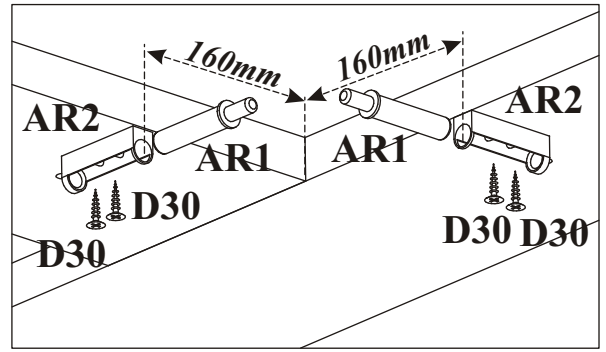
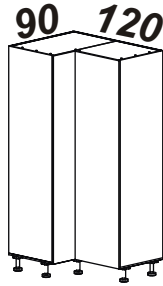
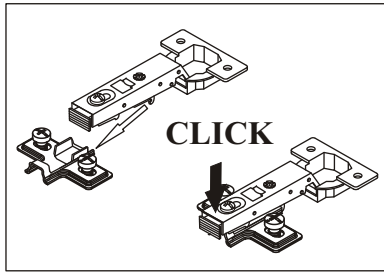
S120\_90\_222\_D-4D



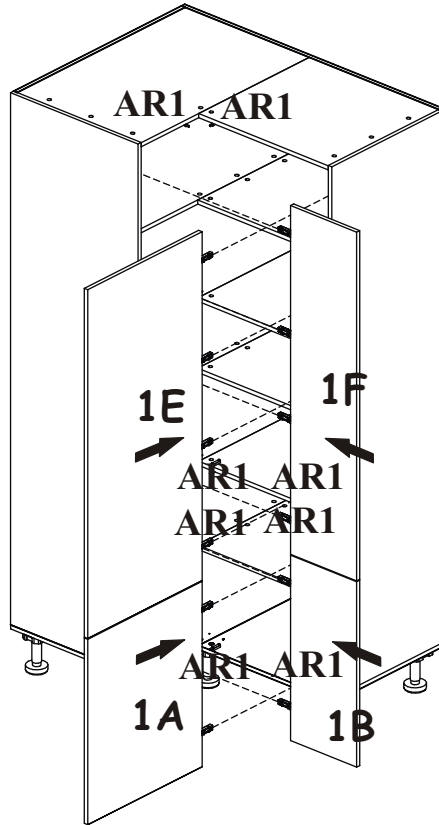
S120\_90\_222\_D-6D



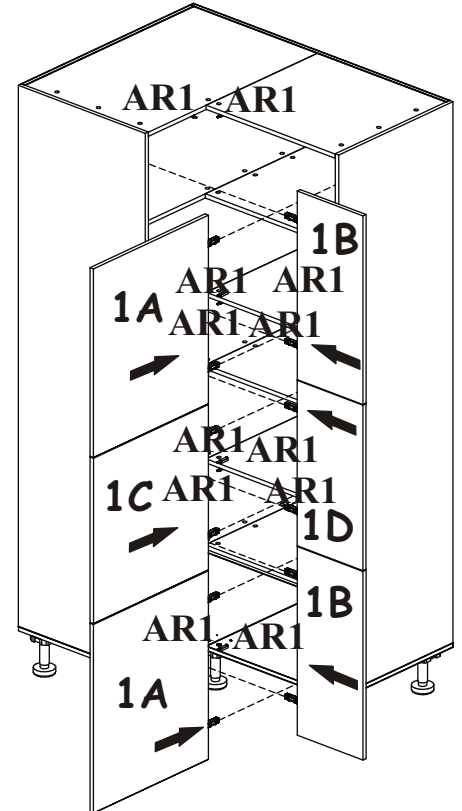
6



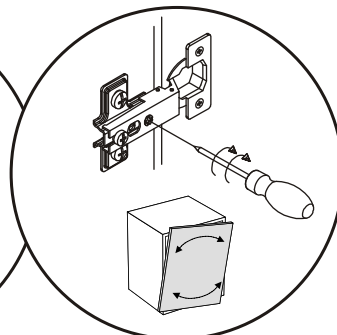
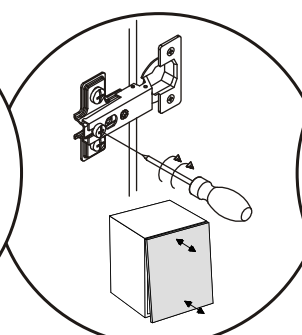
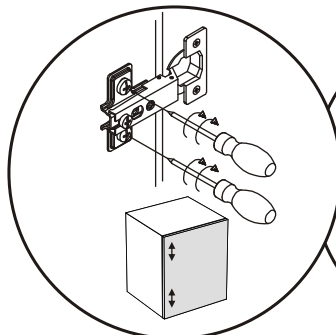
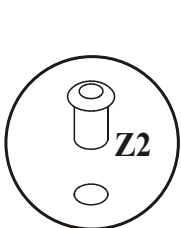
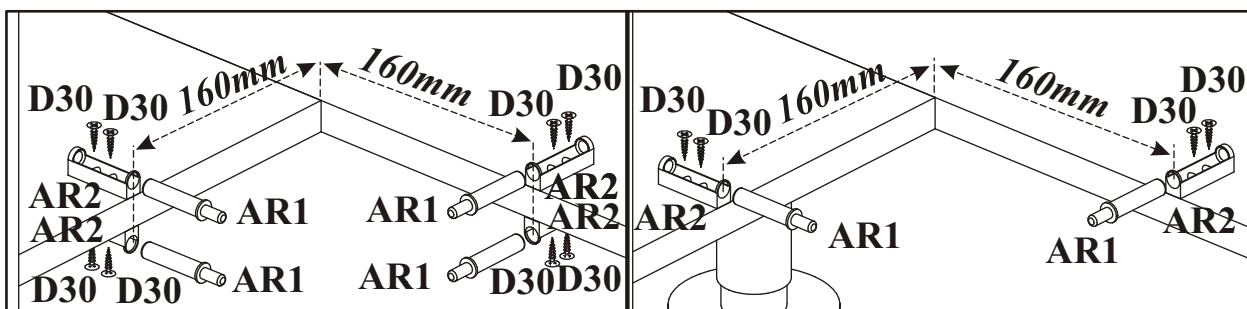
S120\_90\_222\_D-2D



S120\_90\_222\_D-4D



S120\_90\_222\_D-6D



7

