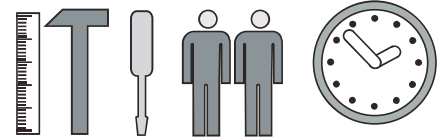
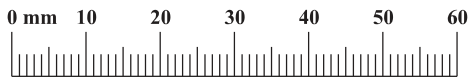
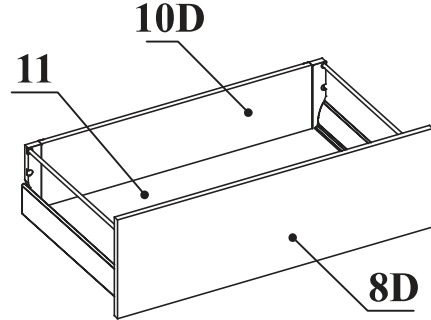
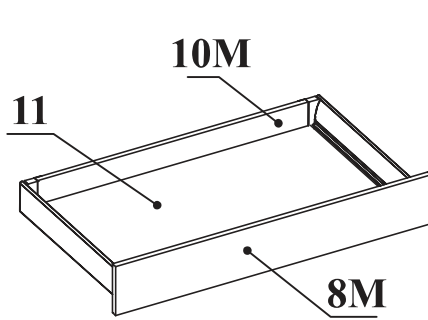
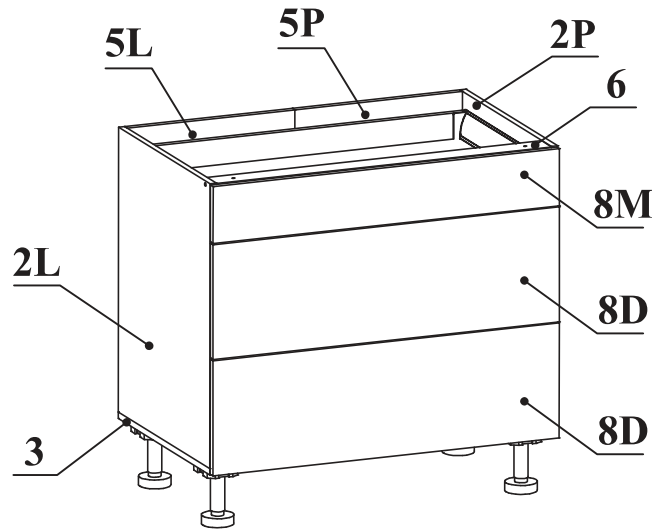


EURO

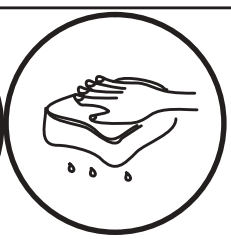
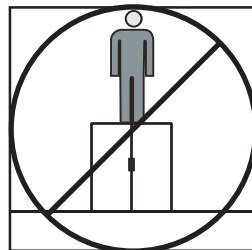
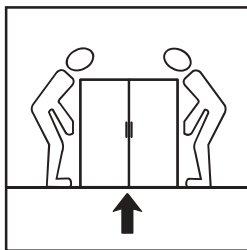
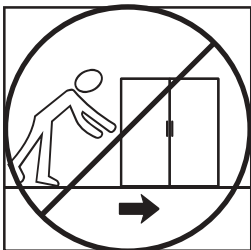
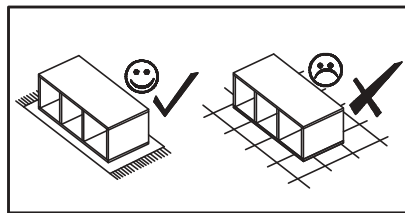
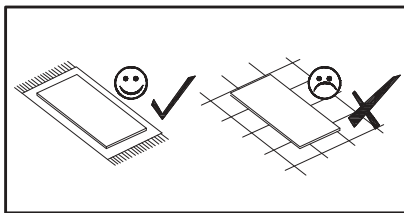
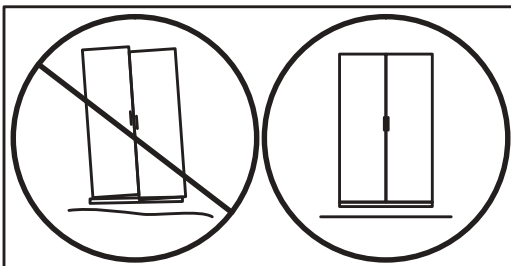
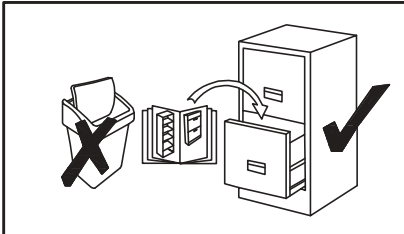
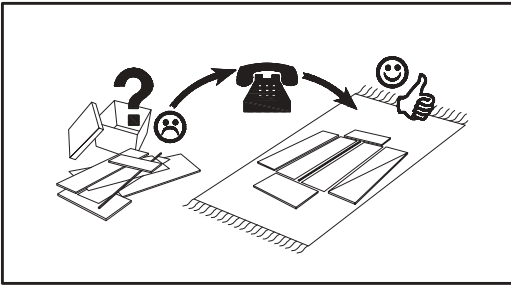
S70SZ3A, S80SZ3A, S90SZ3A



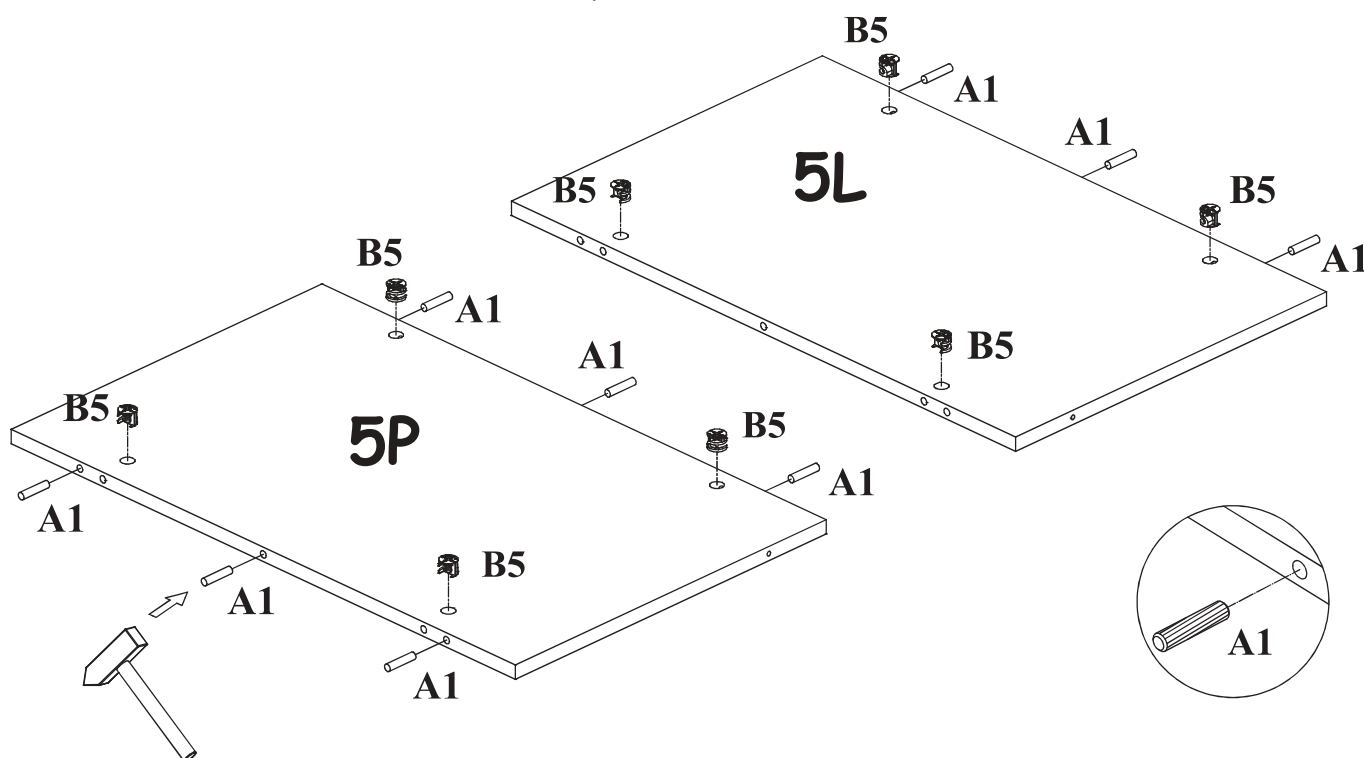
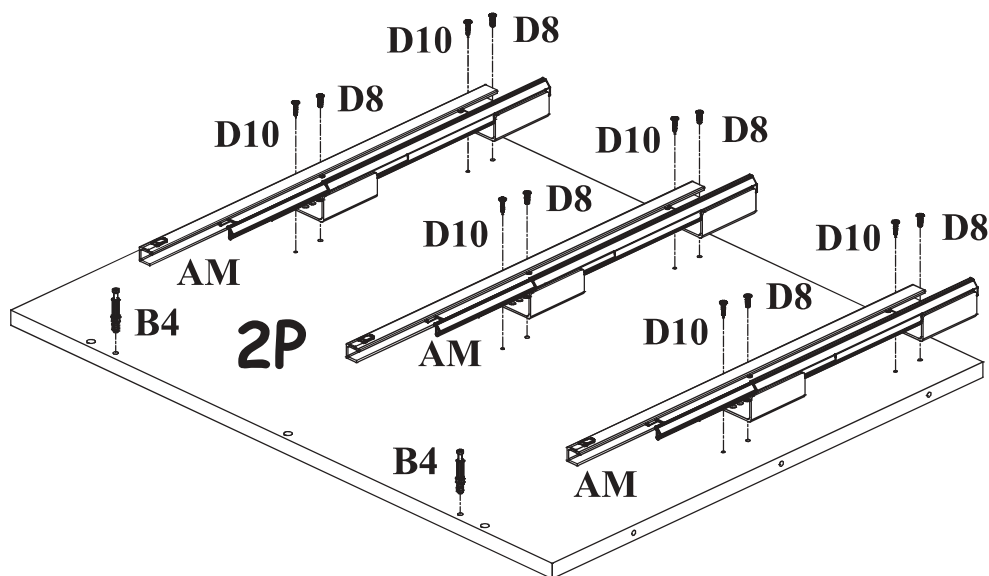
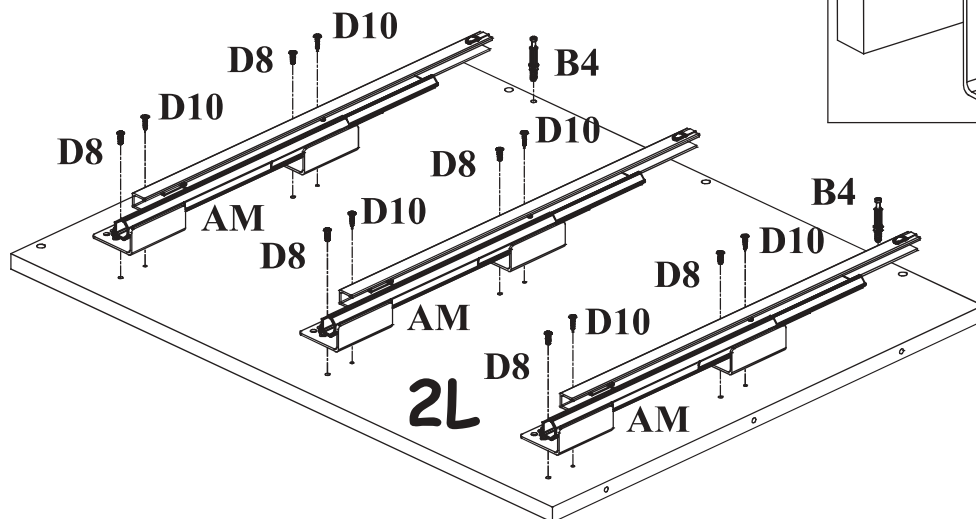
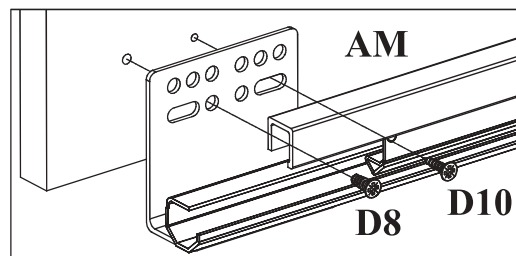
90 min

| | | | | | | | | | | | | | | | | | |
|-----------|---------|-----------|-------------|------------|-----------|-----------|-----------|------------|---------------|-----------|------------|-----------|--------------|-----------|---------------|------------|-------------|
| KM1 X2 | | Z2 X6 | Ø5 | B9 X2 | Ø7x48 | A1 X9 | Ø8x36 | B4 X7 | | B5 X11 | Ø15x12 | G5 X11 | | D30 X8 | USØ3,5x16 | UP6 X2 | UPØ4x30 |
| RE X2 | SET | D8 X12 | ESØ5x13 | B11 X13 | Ø7x50 | G4 X13 | | D10 X12 | USØ3,5x13 | G2 X1 | | I15 X4 | L-150 mm | I16 X2 | | D27 X16 | USØ4x35 |
| AM X3 | SET | AM2 X2 | SET | AM3 X1 | SET | | | | | | | | | | | | |

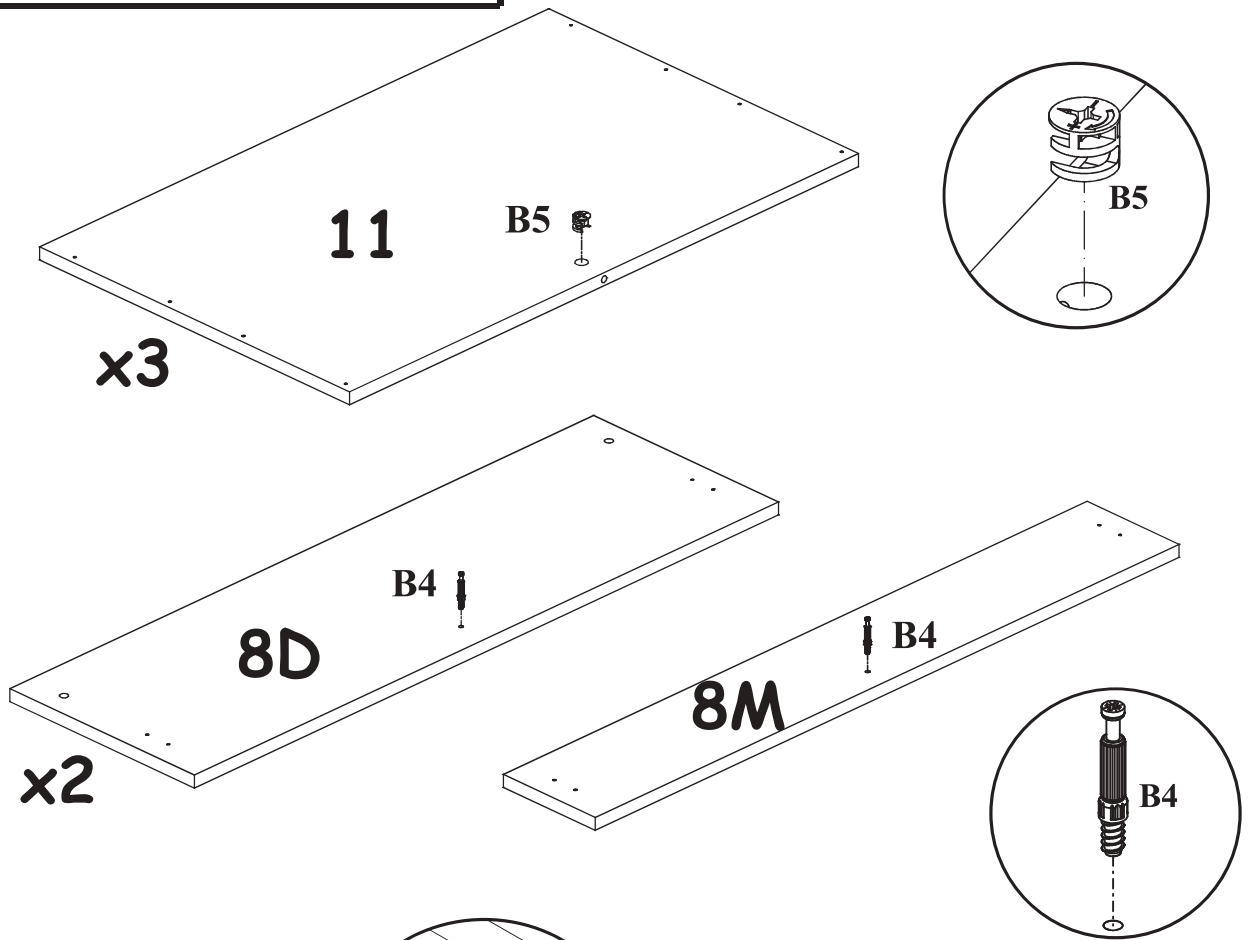
EURO S70SZ3A, S80SZ3A, S90SZ3A



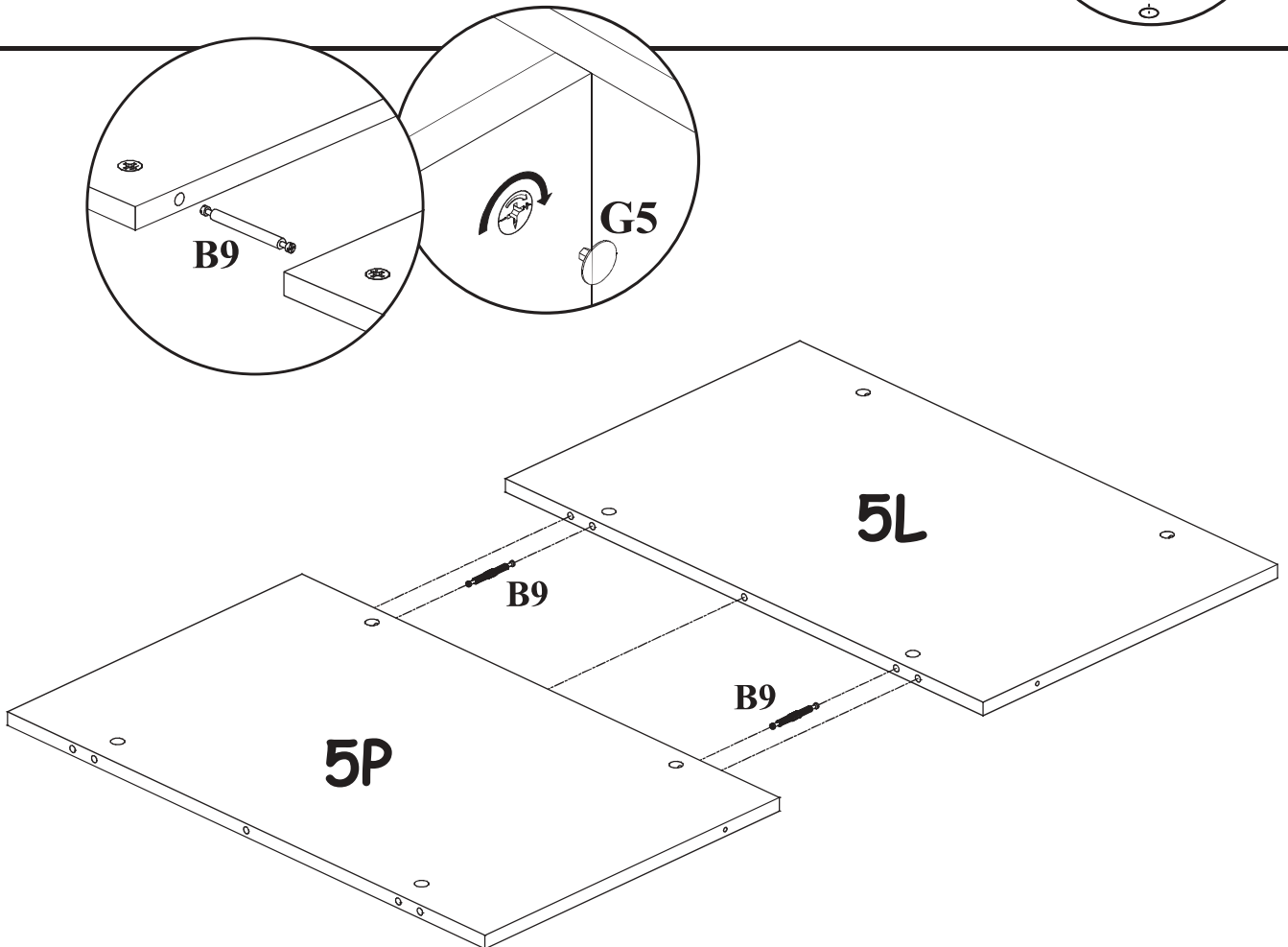
1



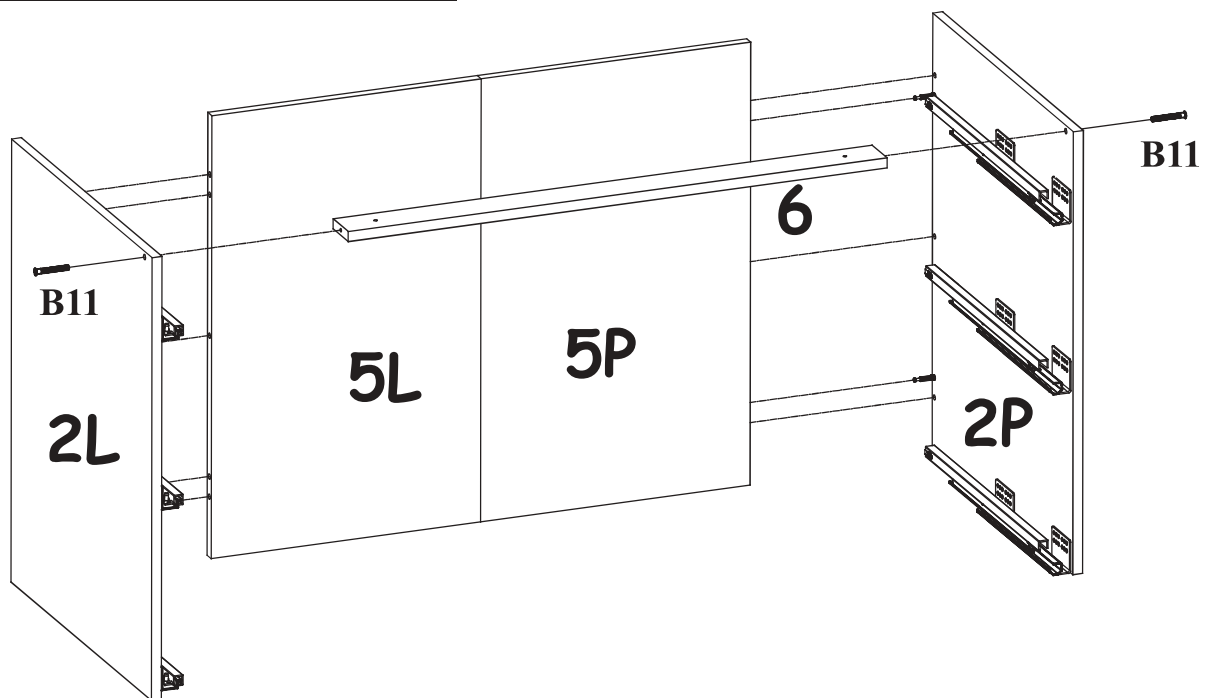
2



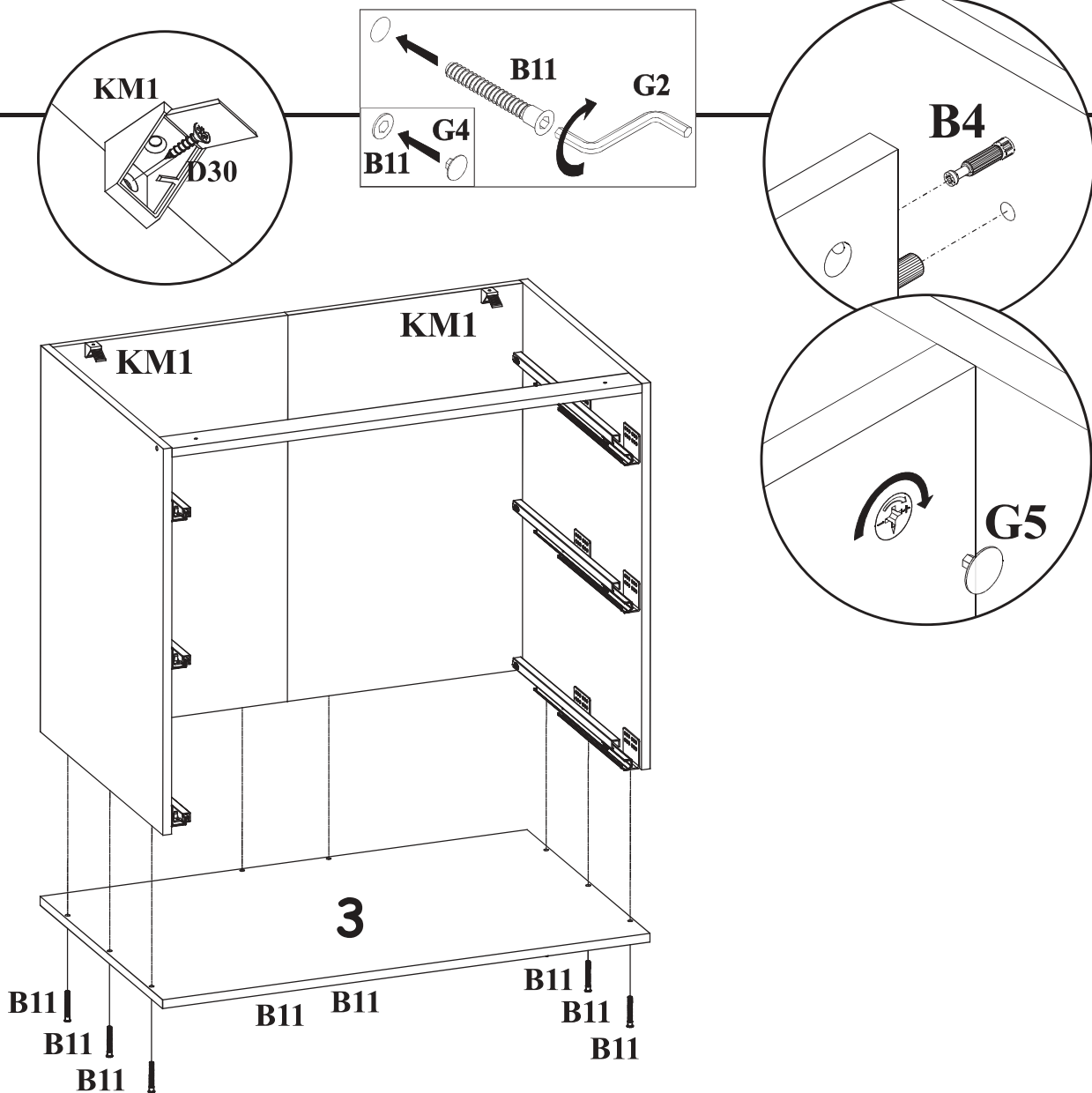
3



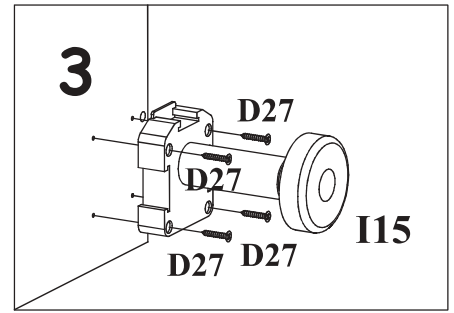
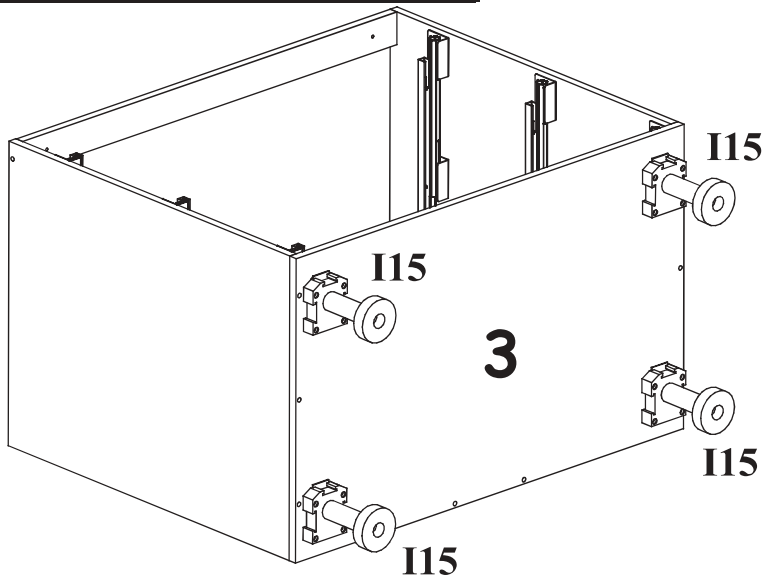
4



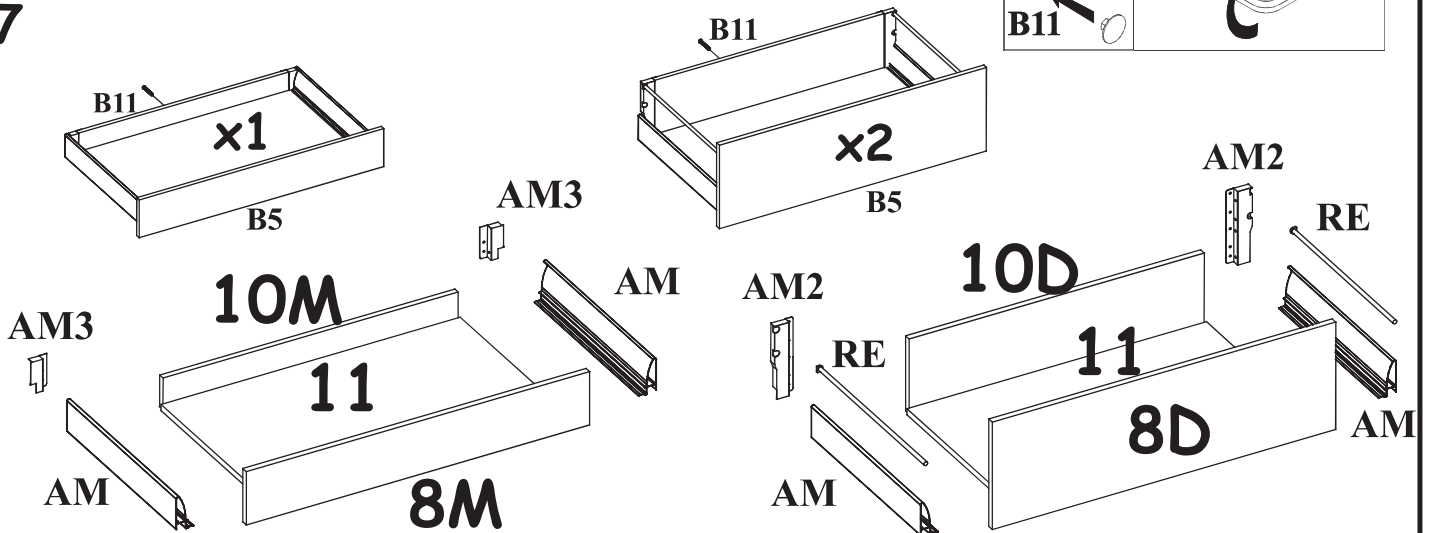
5



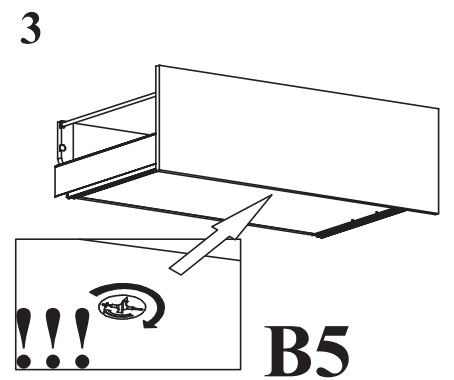
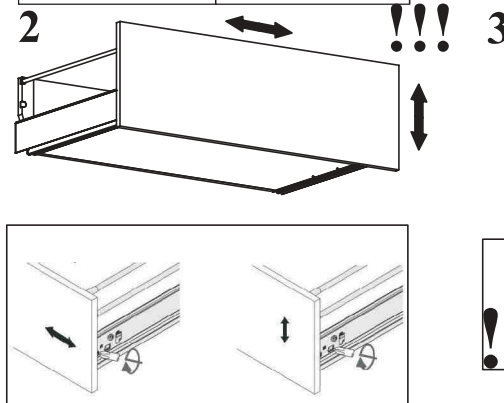
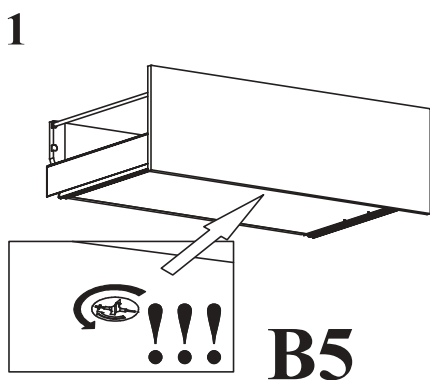
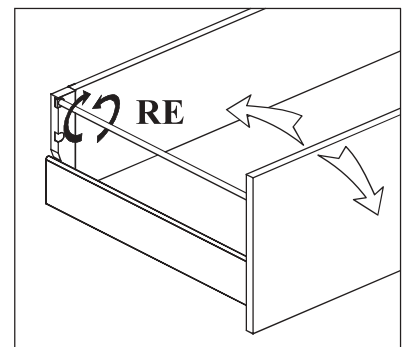
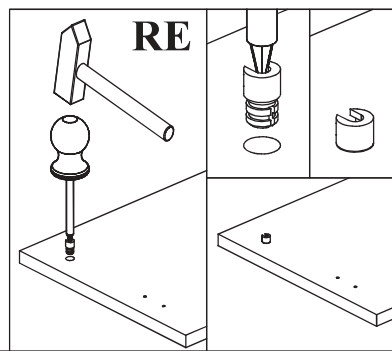
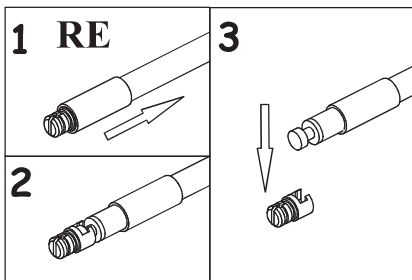
6



7



See additional installation instructions



8

