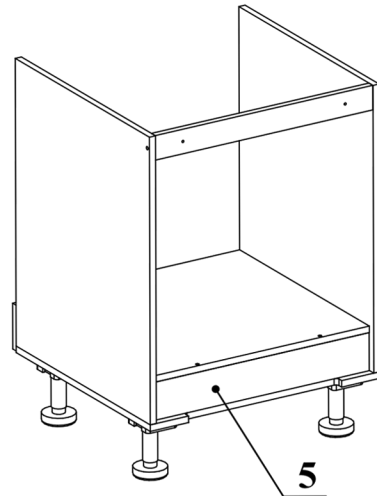
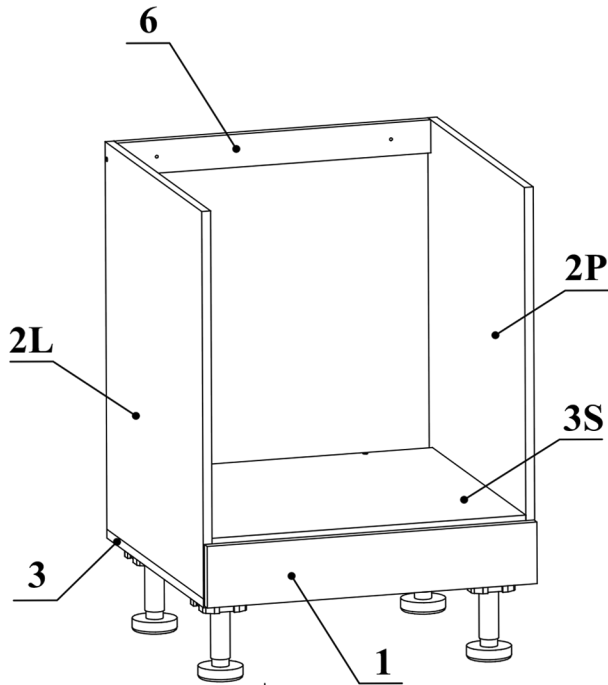
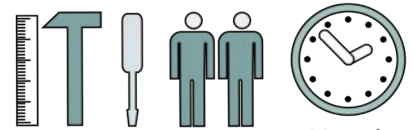
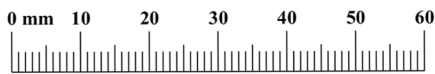


EURO

S60KU



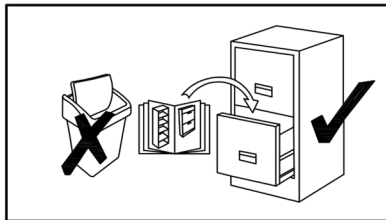
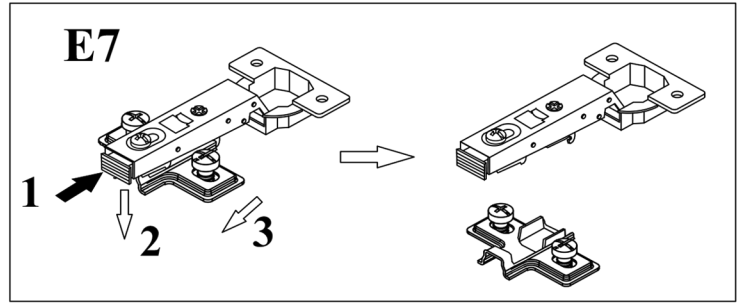
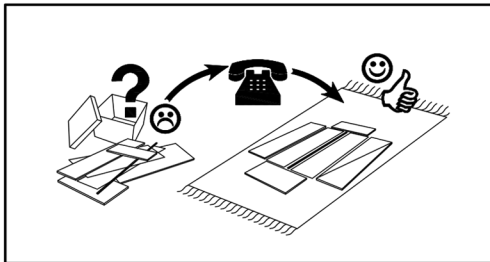
Check all the items are in your box according to the list on this manual. If you are missing anything, please check all other boxes first and then send us an email with a list of the parts you need.



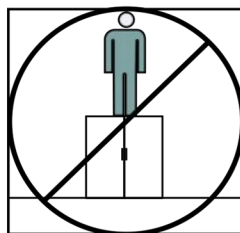
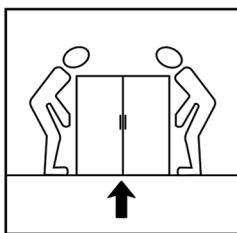
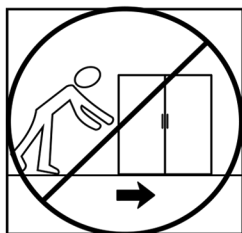
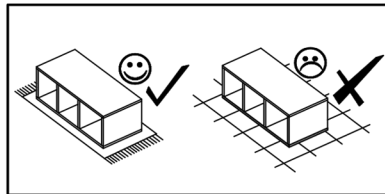
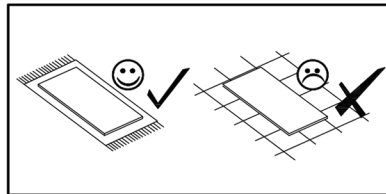
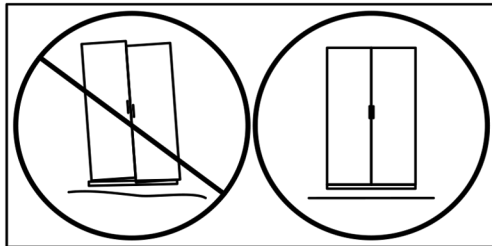
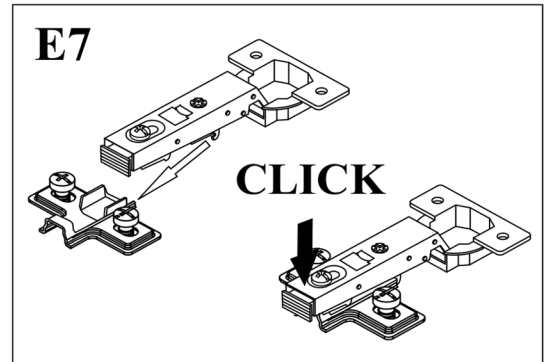
60 min

A1 X6 ø8x36	B4 X6	B5 X6 ø15x12	G5 X6	UP6 X4 UPØ4x30	G7 X4
E7 X2	E8 X2	B11 X12 Ø7x50	G4 X12	D10 X4 USØ3,5x13	G2 X1
D27 X16 USØ4x35	I15 X4 L-150 mm	I16 X2	D30 X12 USØ3,5x16	Z2 X2 Ø5	KM1 X6

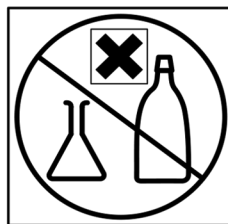
EURO S60KU



Keep your product assembly manual in a safe place until your kitchen is finished.



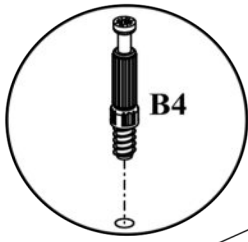
Do not push cabinets into place. Get someone to help you lift the cabinets into place, or you could risk damaging the feet.
Do not stand on the cabinets.



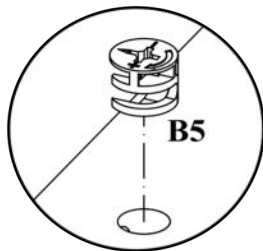
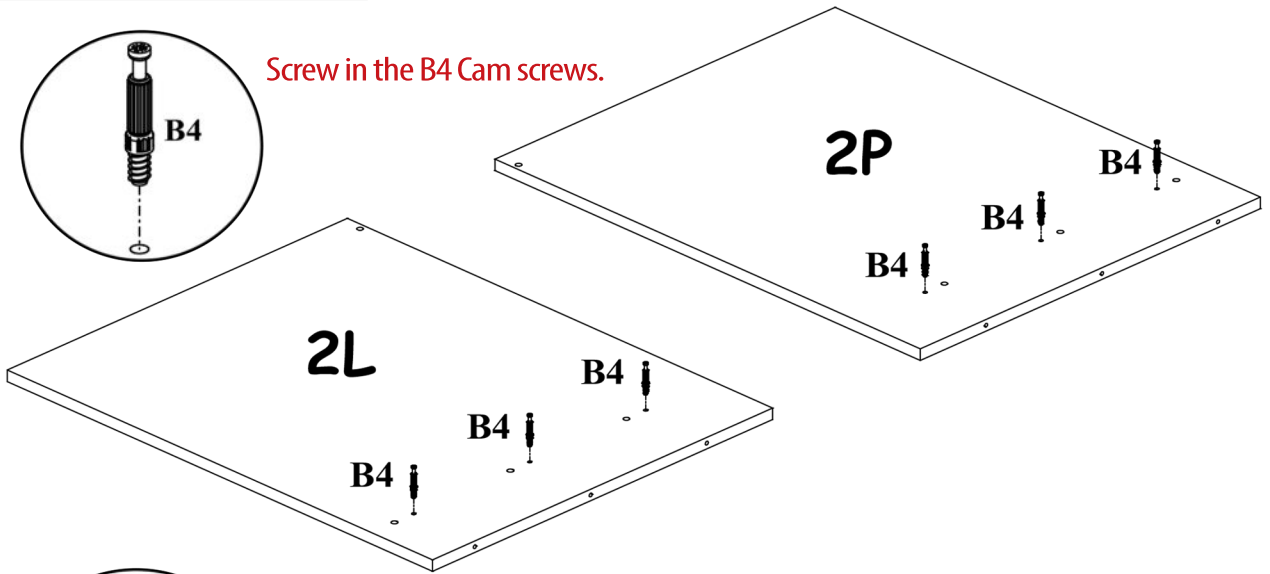
Once protective film on thermal wrap doors is removed, do not clean for 7 days. This allows the surface to harden. Only clean the cabinets with a small amount of warm water or non harsh chemicals.

EURO S60KU

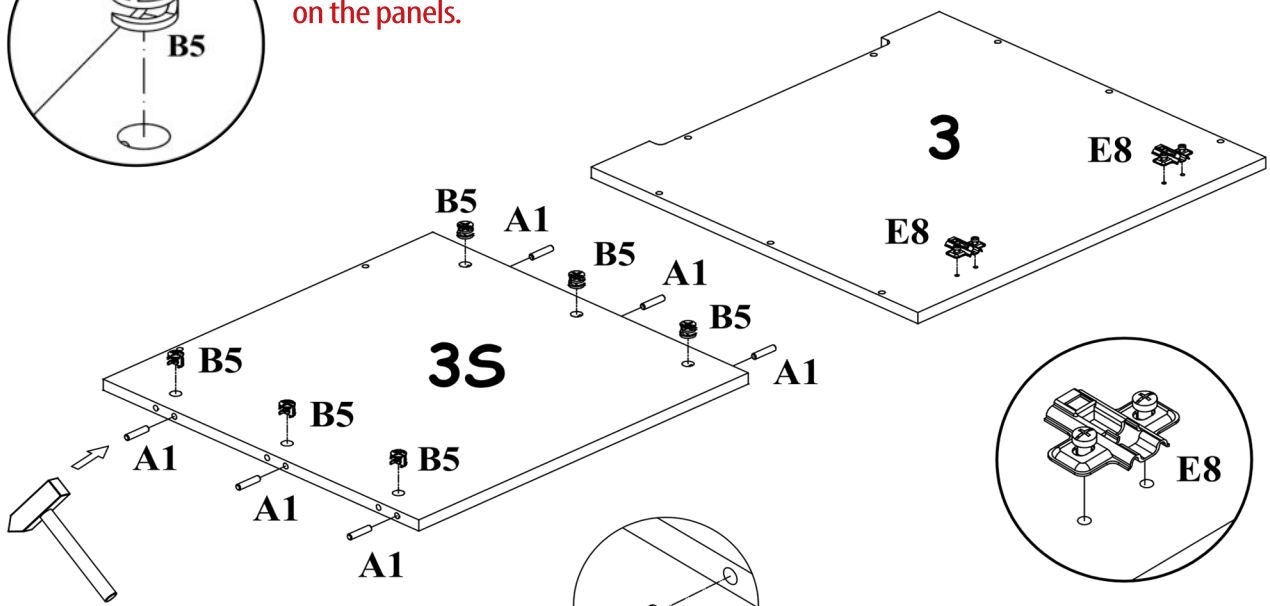
1



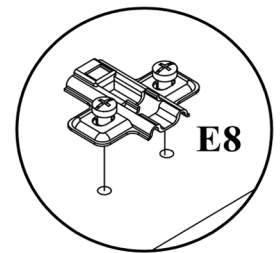
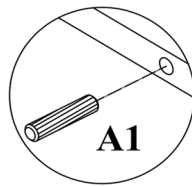
Screw in the B4 Cam screws.



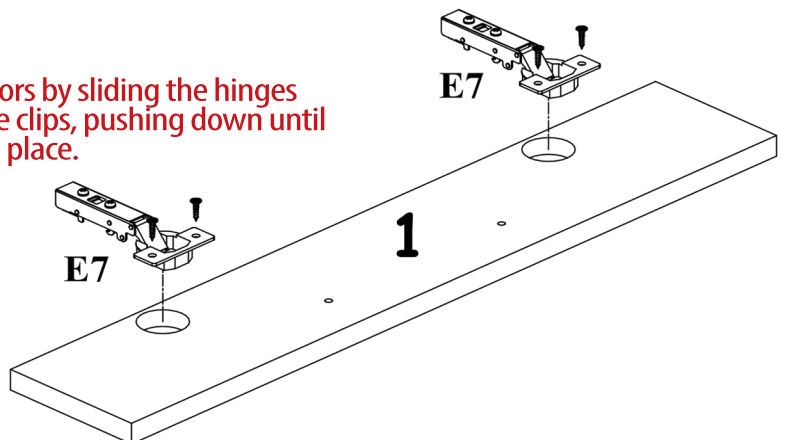
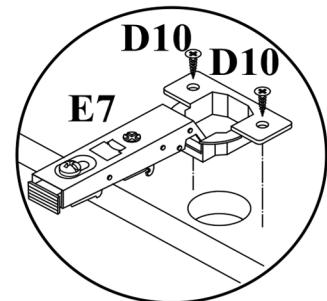
Push the B5 Cam locks into the holes on the panels.



Knock in A1 dwells

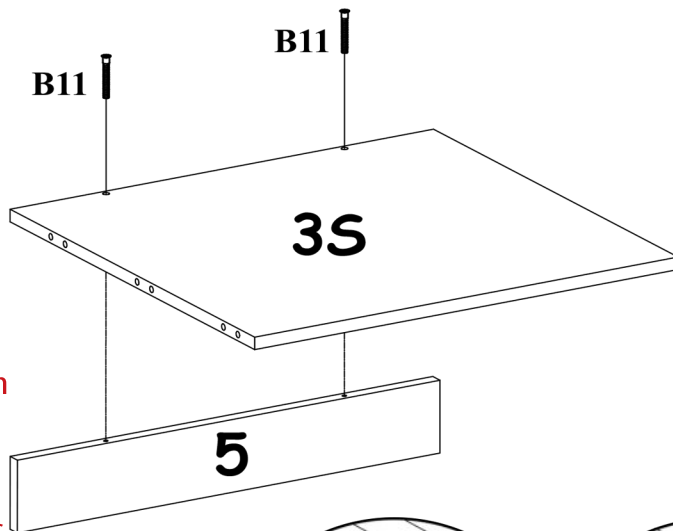


Attach the doors by sliding the hinges over the hinge clips, pushing down until they click into place.



EURO S60KU

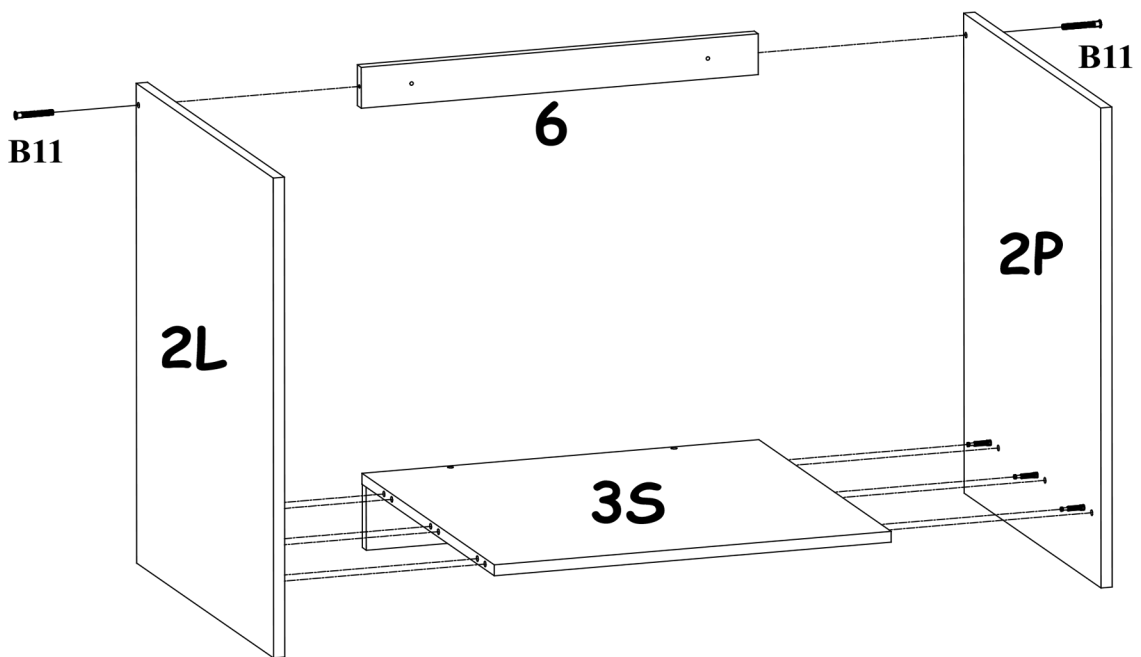
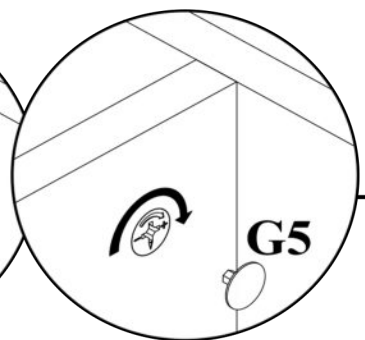
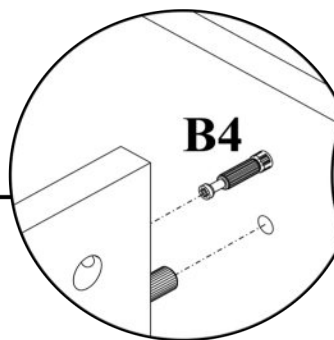
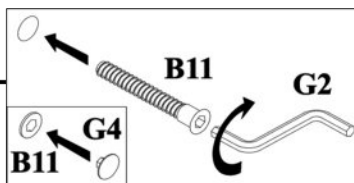
2



Screw on the base panel 3 with B11 screws and cover with G4 caps.

Tighten the B5 cam locks on panel 5 and cover with G5 caps.

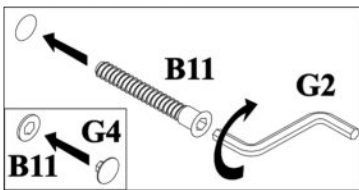
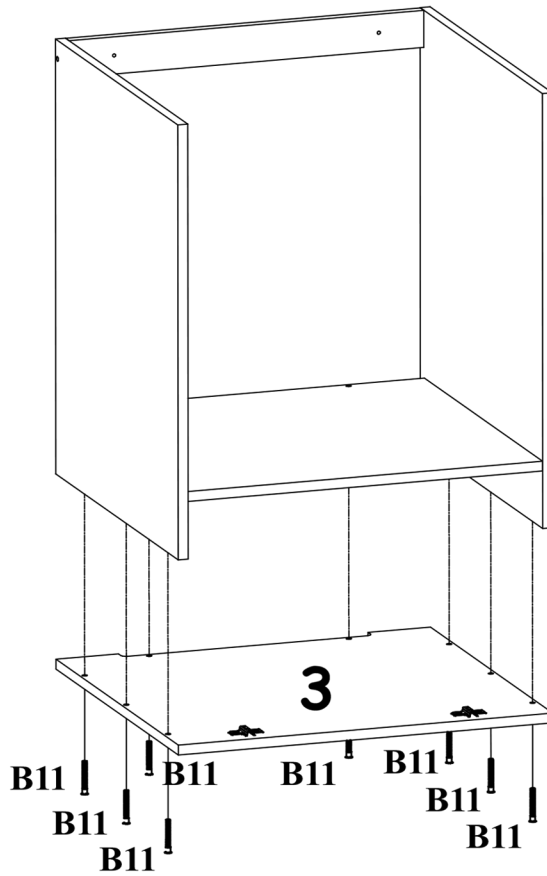
3



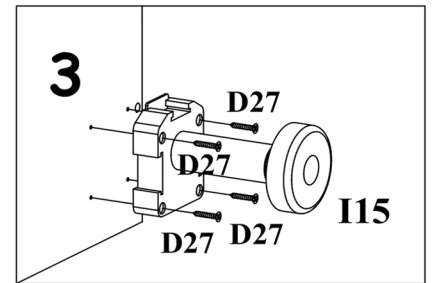
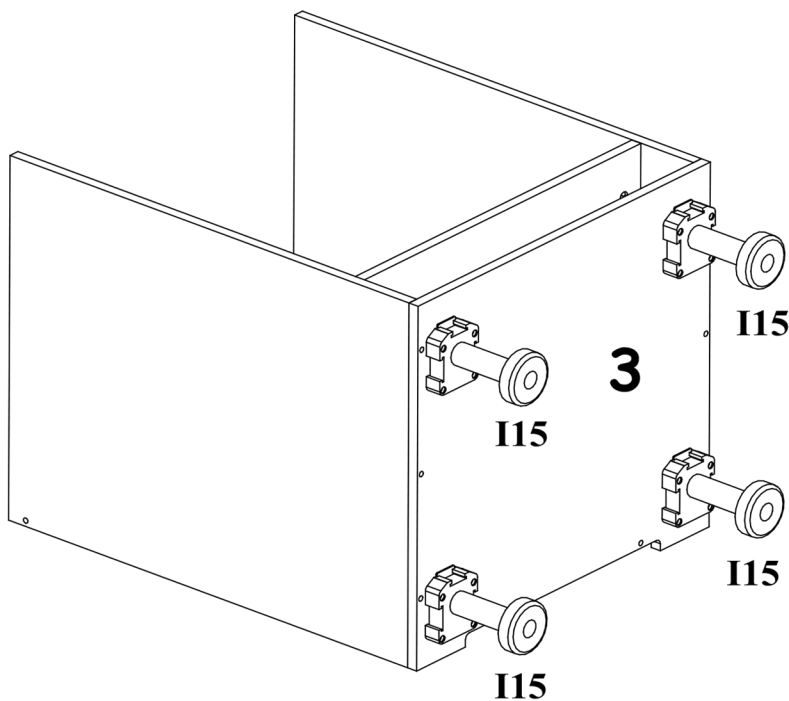
EURO S60KU

4

Screw on the base panel 3 with B11 screws and cover with G4 caps.



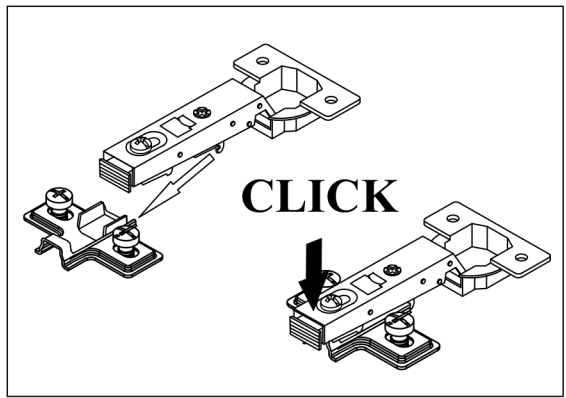
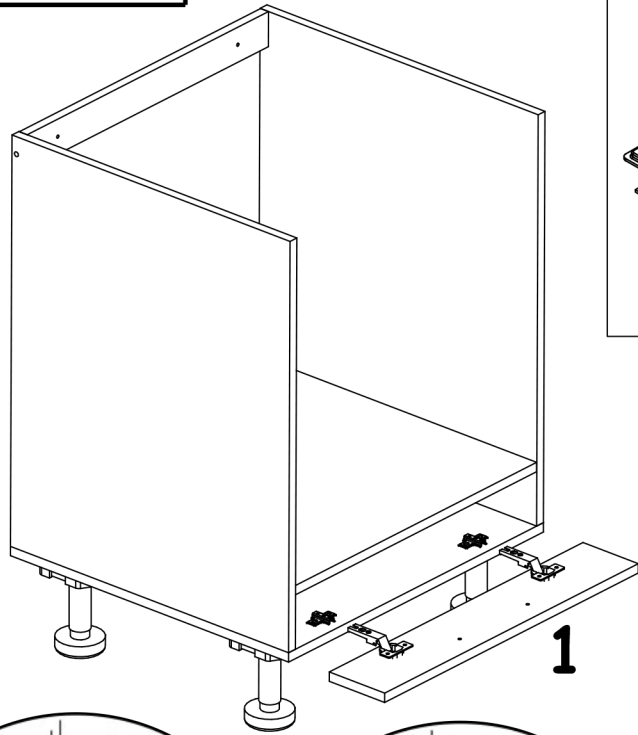
5



Adjust feet to correct height to make cabinet level.

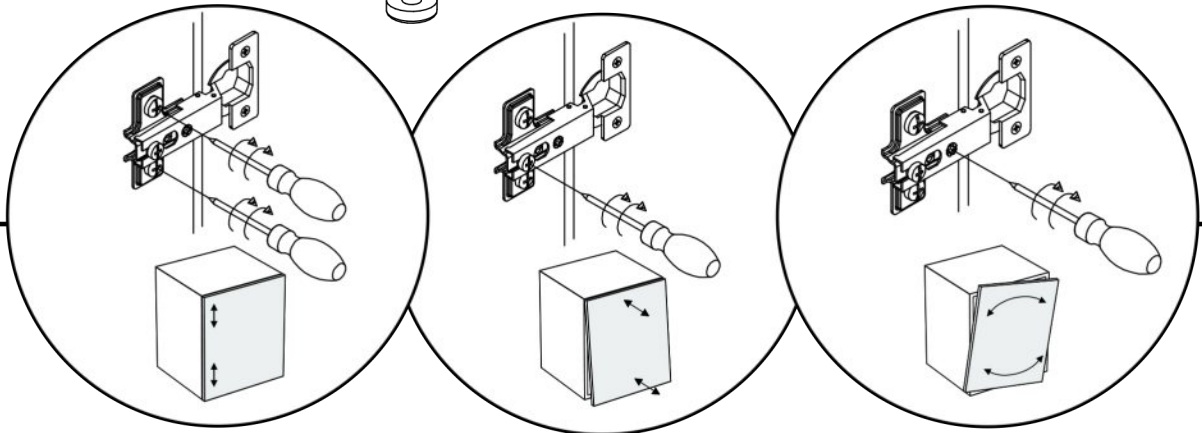
6

Screw hinge clips to insides of cabinets at pre-marked holes.



Use a phillips head screwdriver to adjust the screws in and out on the hinges if you need to alter the tilt or the rotation of the door.

7



Push Z2 caps into unused holes.

