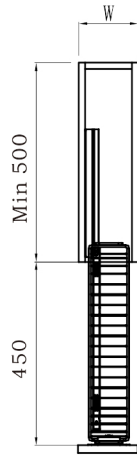


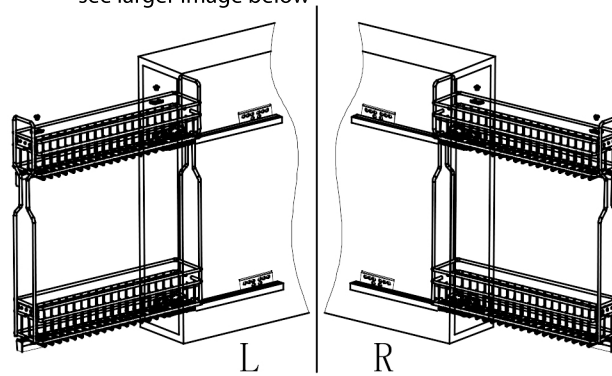
## Narrow Drawer Basket instruction

Name	T=Cabinet	Width*Depth*Height
Narrow Drawer Basket	200 mm	145*450*543

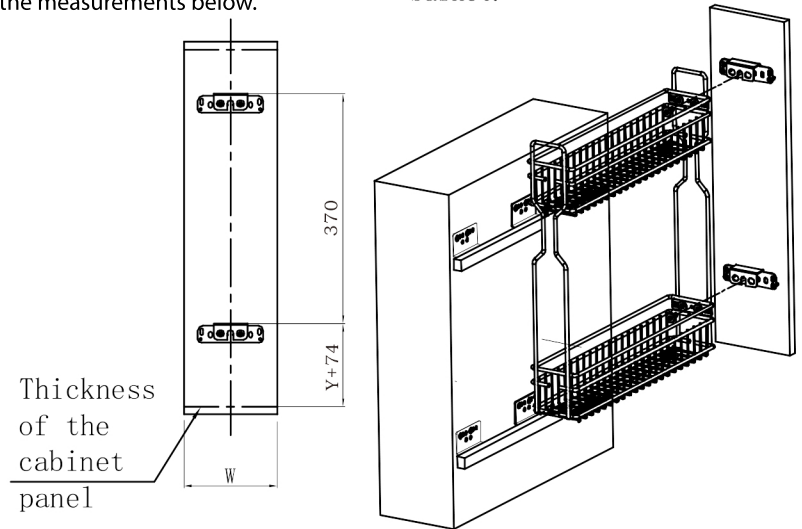


Description	Picture	Quantity
ST3.5*16 screw		20
M5*10 screw		4
fixing		4
slider		2 pcs

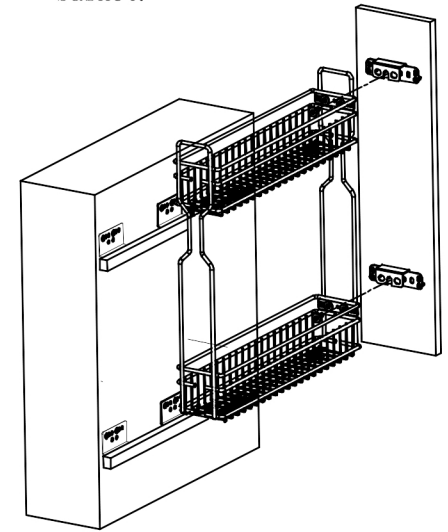
Step 2: Attach the basket to the runners, see larger image below



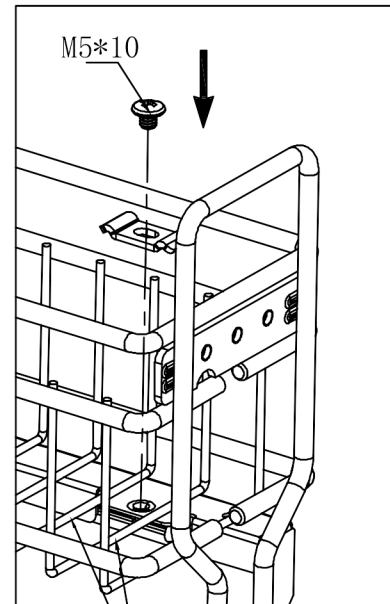
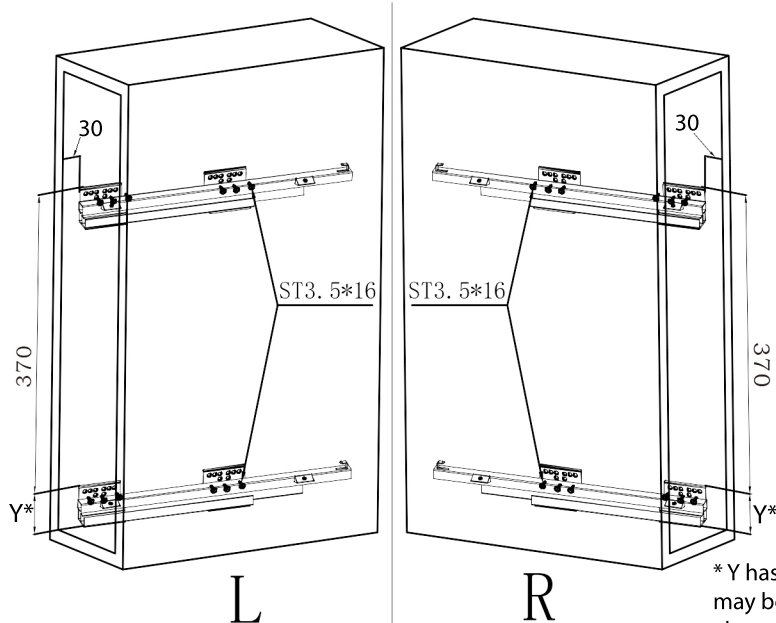
Step 3: Install the door fixings using the measurements below.



Step 4: Connect the door and basket.



Step 1: Attach the runners to the side of the cabinet using 6 x ST3.5\*16 screws for each runner as depicted below.

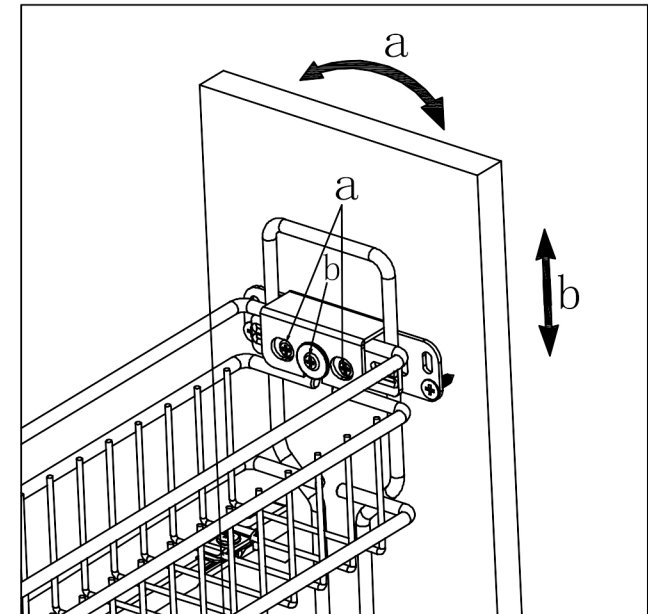


Fixed between the second and third wire.

Place the fixing piece in position first and then fasten the screw in place.

Step 5: Adjust the door.

If you need to make an adjustment, loosen B before you adjust A and tighten it once you are happy with the alignment



\*Y has a minimum measurement of 70, but may be slightly higher depending on how far above the base you attach the runner.