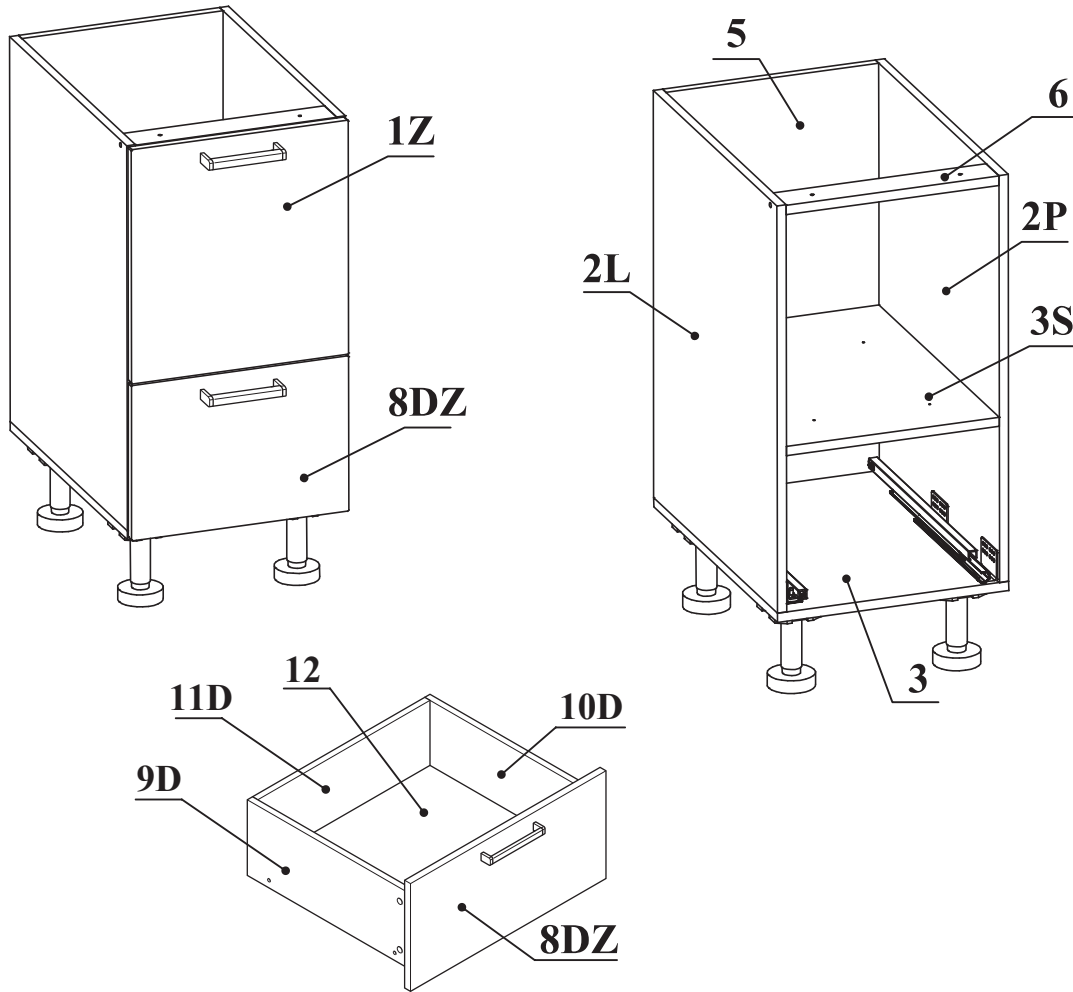

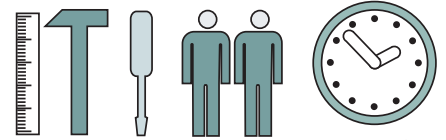
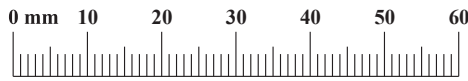


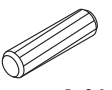
# FLORENCE S40SZ1A-KO

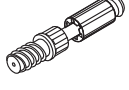


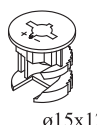
UP5	
X4	UPØ4x16





120 min


A1	
X18	ø8x36


B4	
X12	

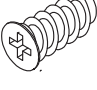
B5	
X12	ø15x12


G5	
X12	


D30	
X8	USØ3,5x16


UP6	
X4	UPØ4x30


KM1	
X2	


D14	
X4	ESØ6,3x13

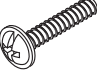
B11	
X16	Ø7x50

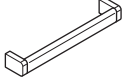
G4	
X16	

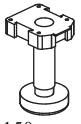
D10	
X4	USØ3,5x13


G2	
X1	


AM	
X1	

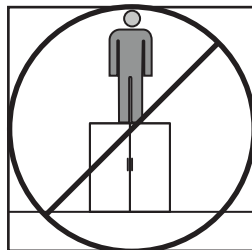
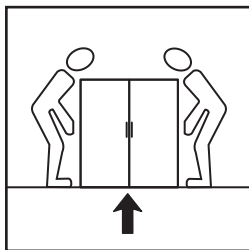
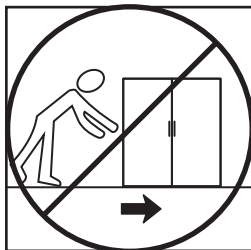
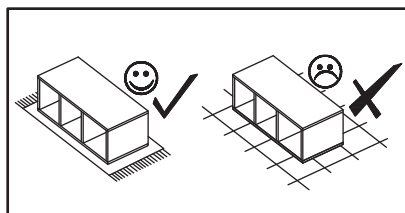
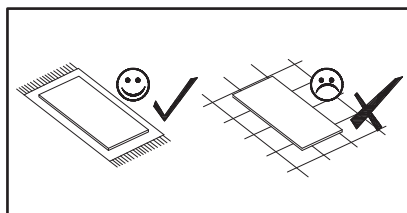
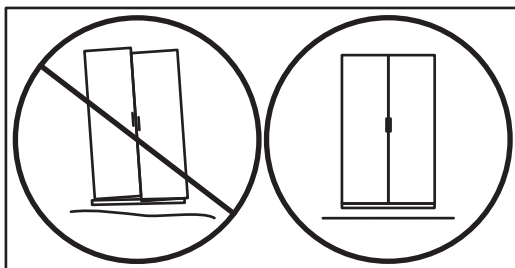
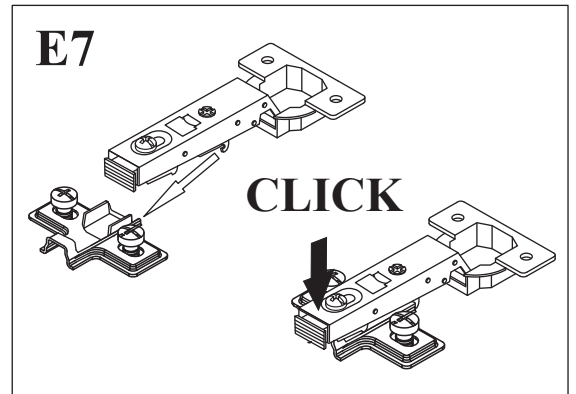
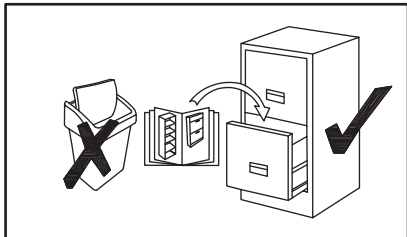
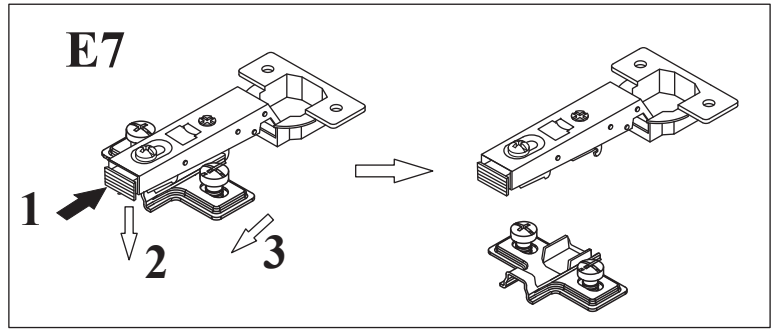
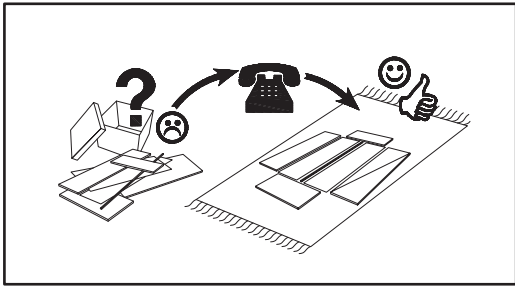
D26	
X4	Ø4x22

ZN	
X2	

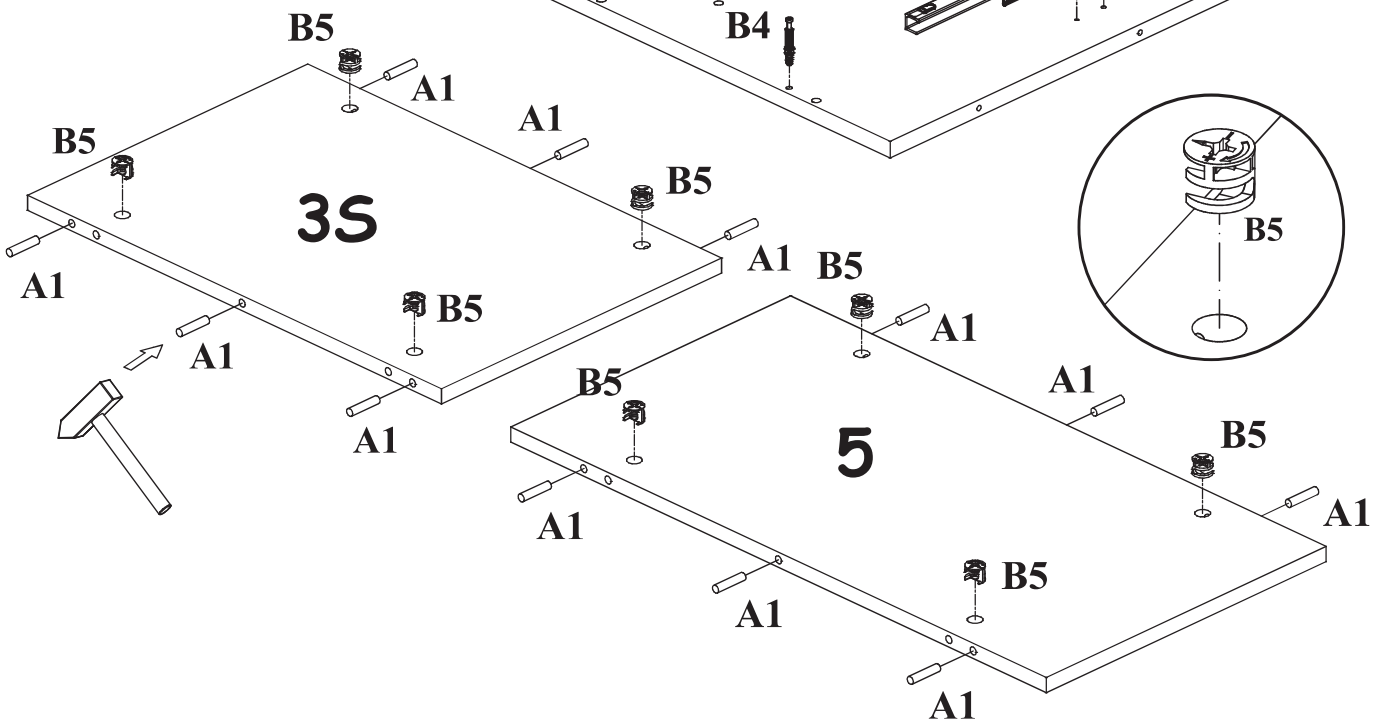
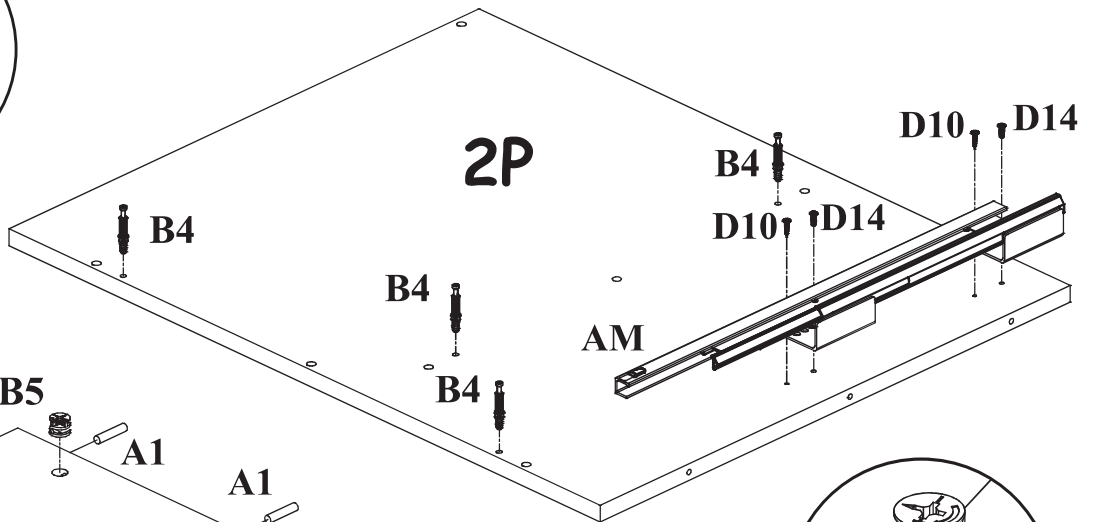
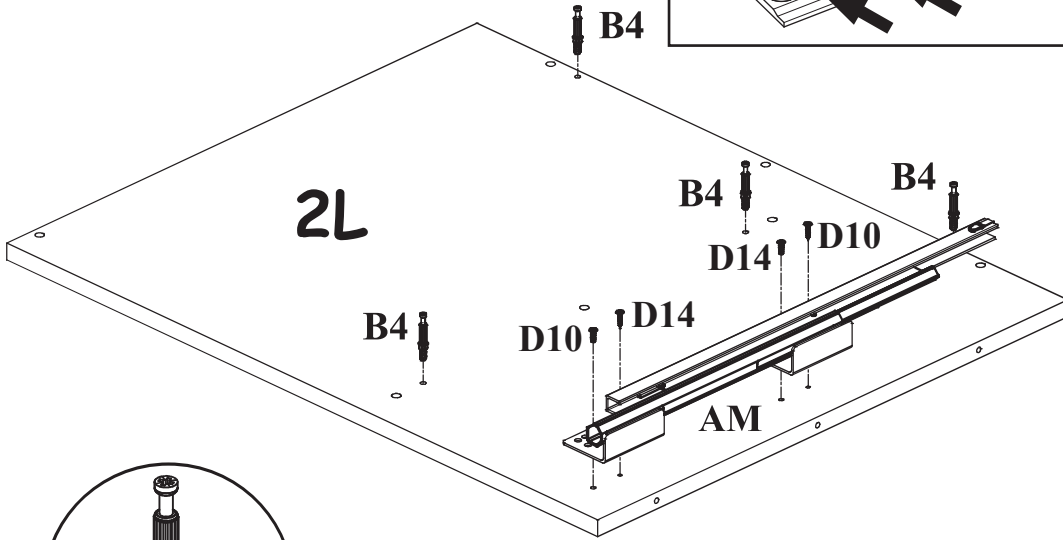
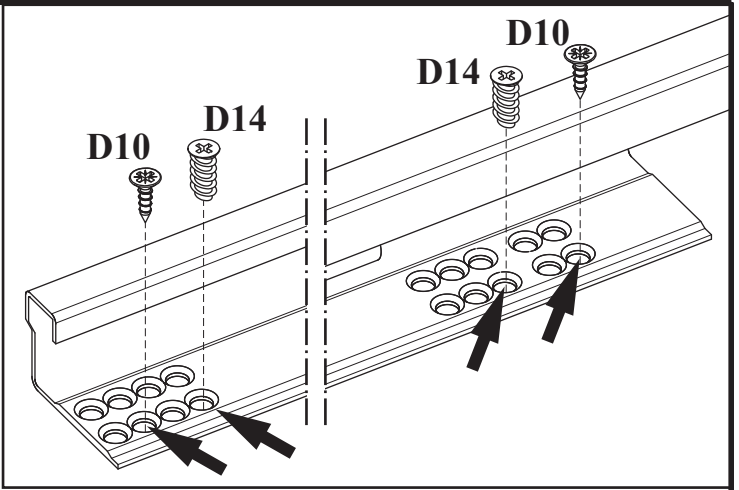
I15	
X4	L-150 mm

I16	
X2	

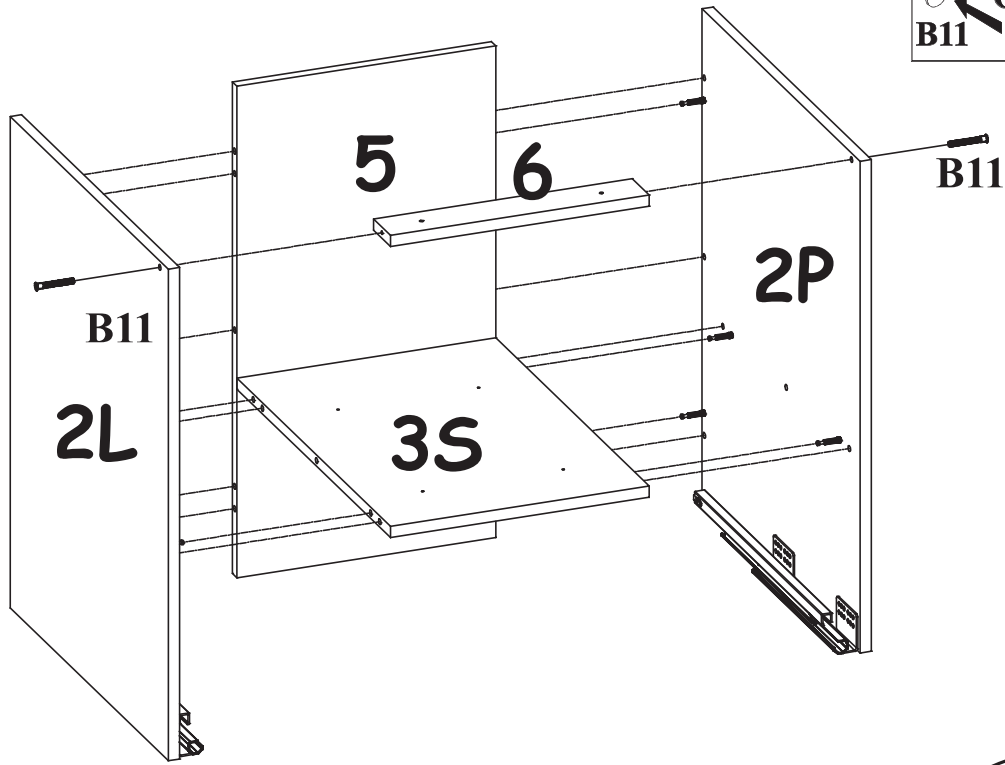
D27	
X16	USØ4x35



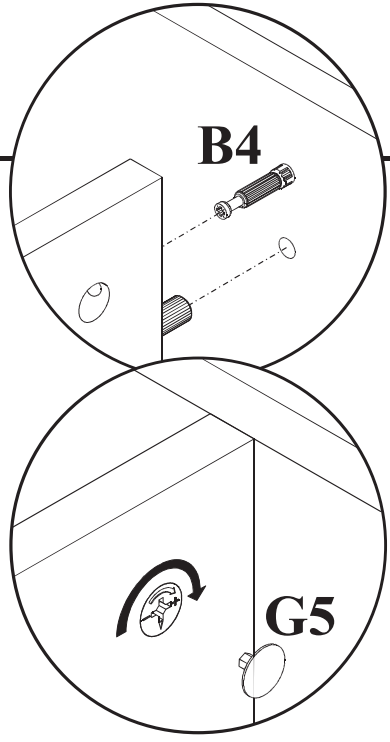
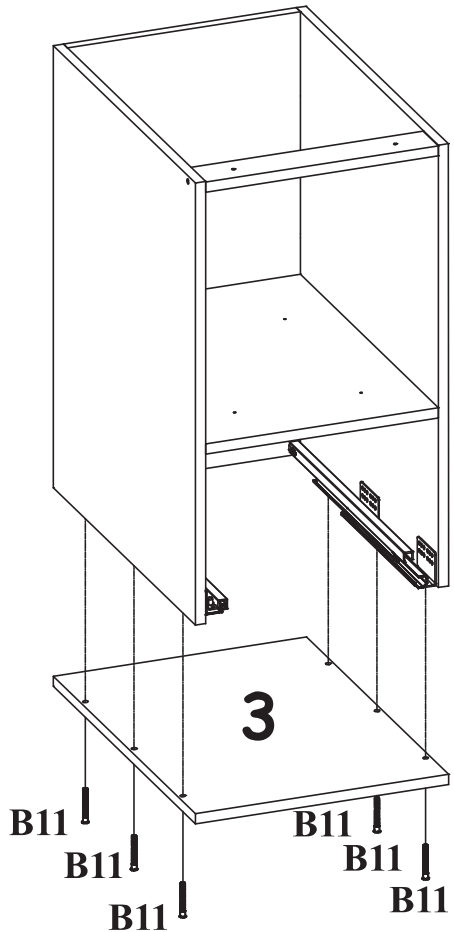
1



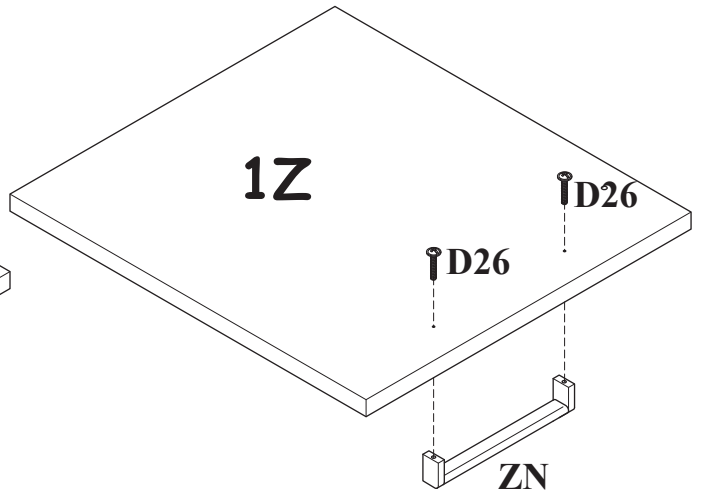
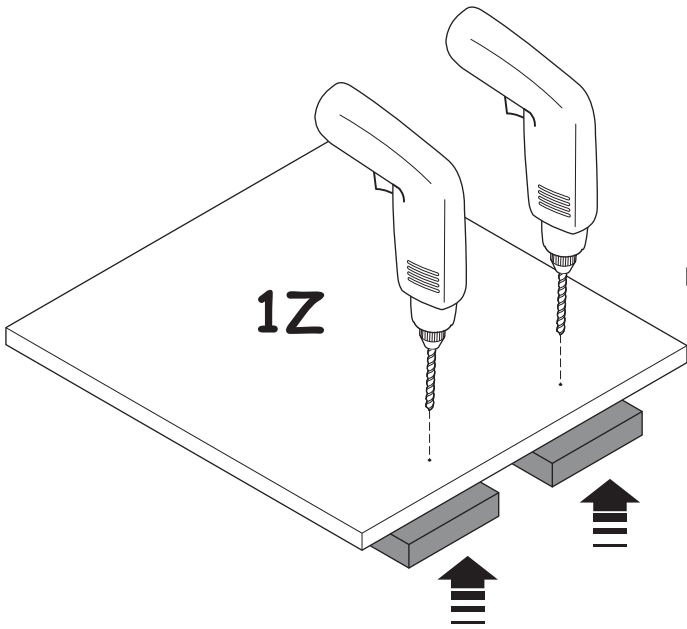
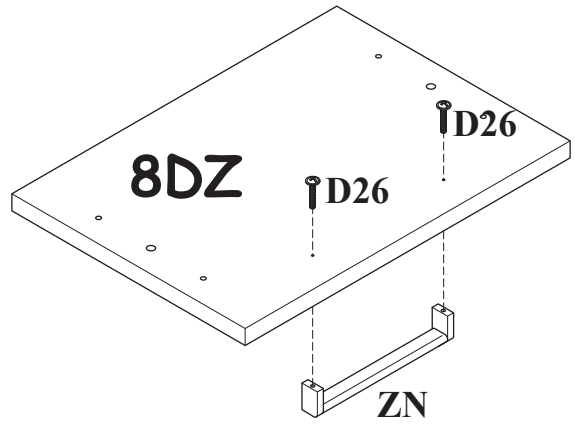
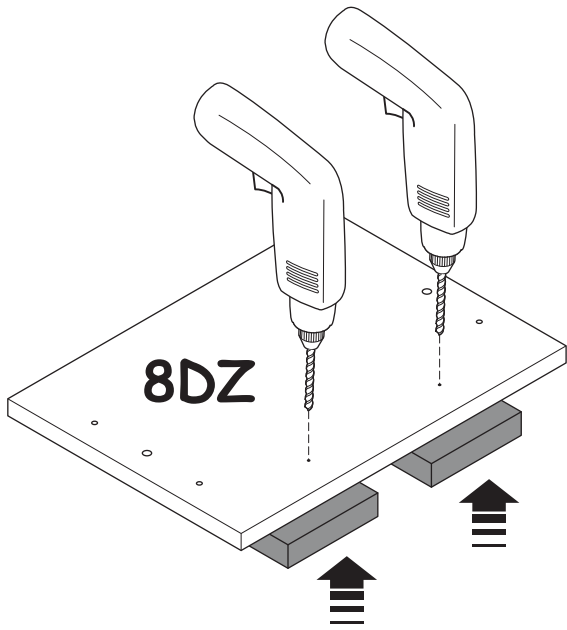
2



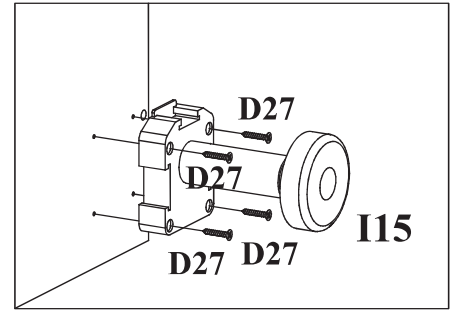
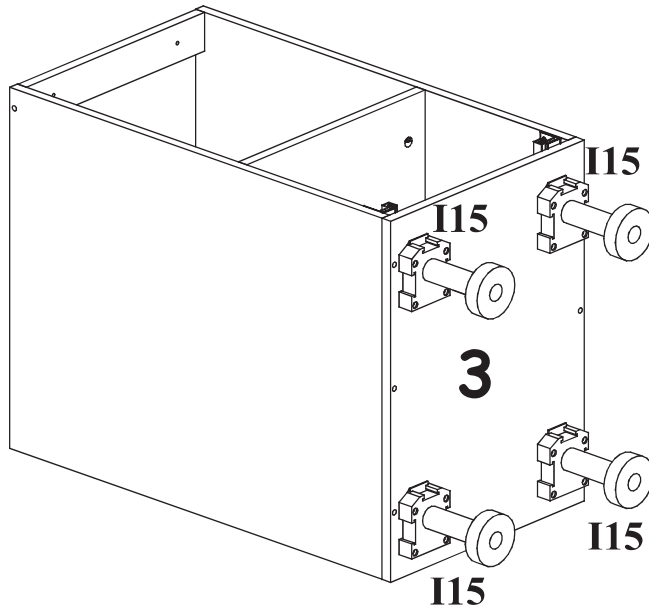
3



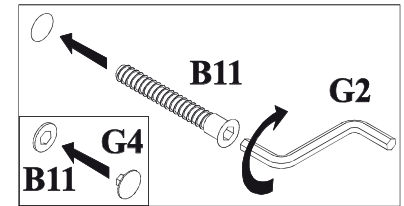
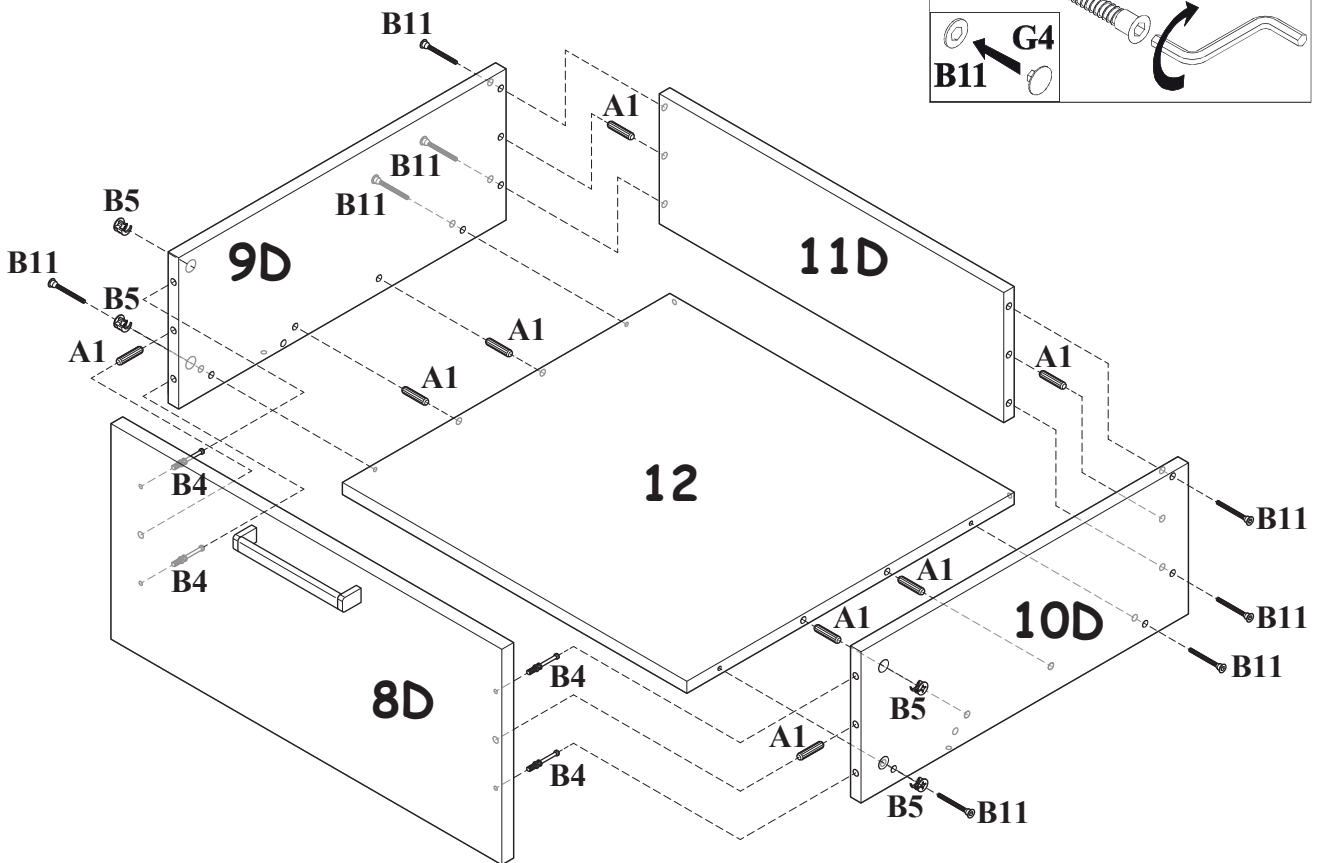
4



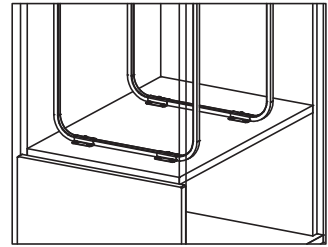
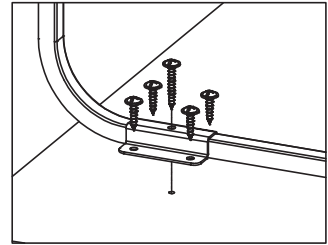
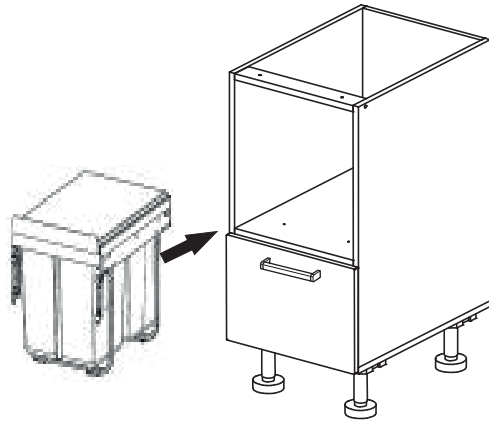
5



6

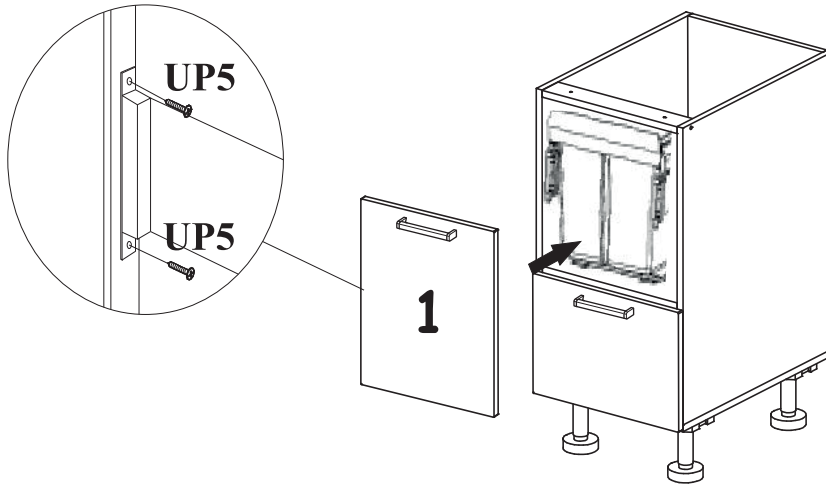


7



See additional installation instructions

8



9

