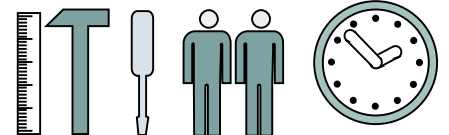
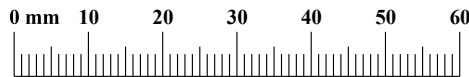
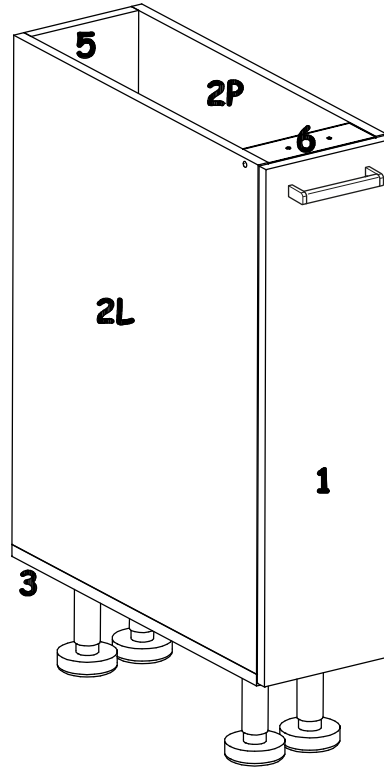
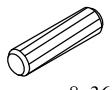
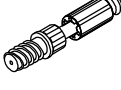



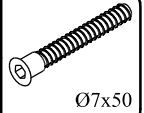

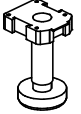







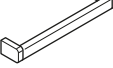
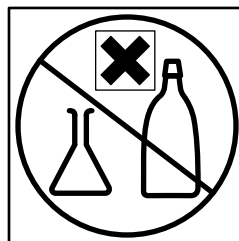
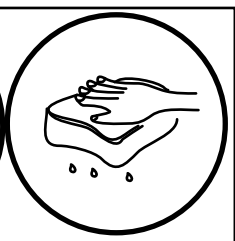
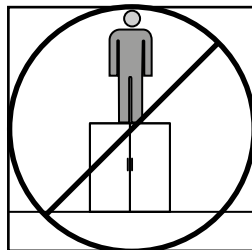
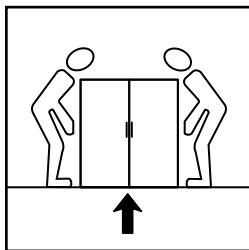
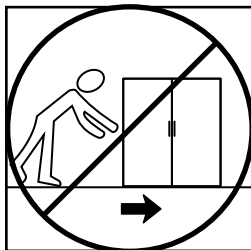
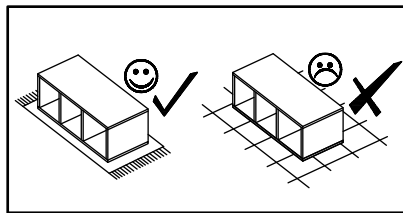
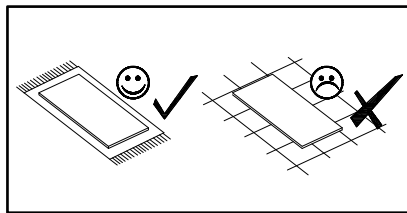
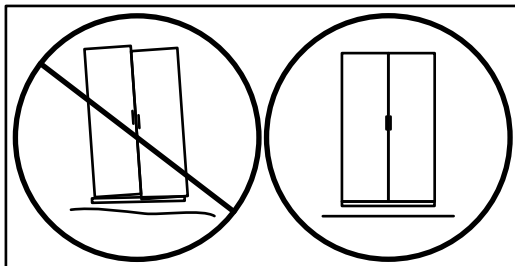
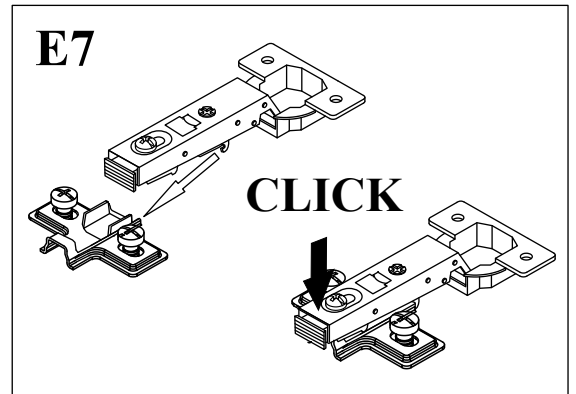
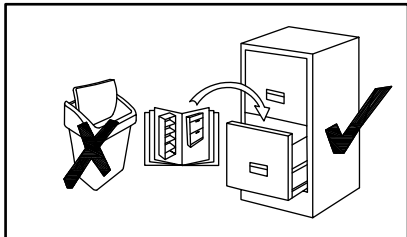
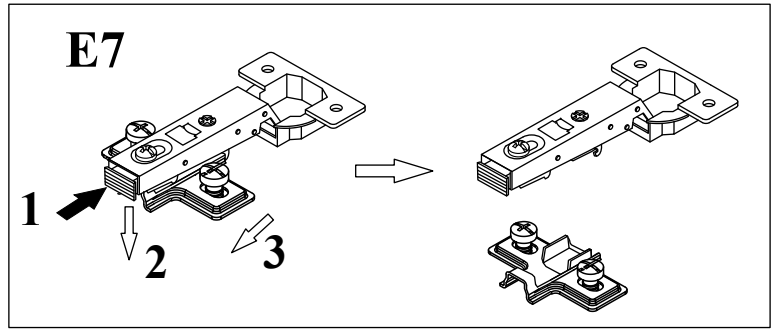
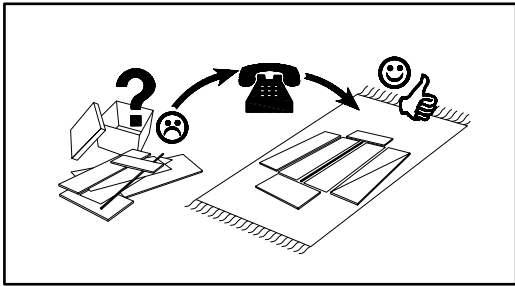


FLORENCE S20C



30 min

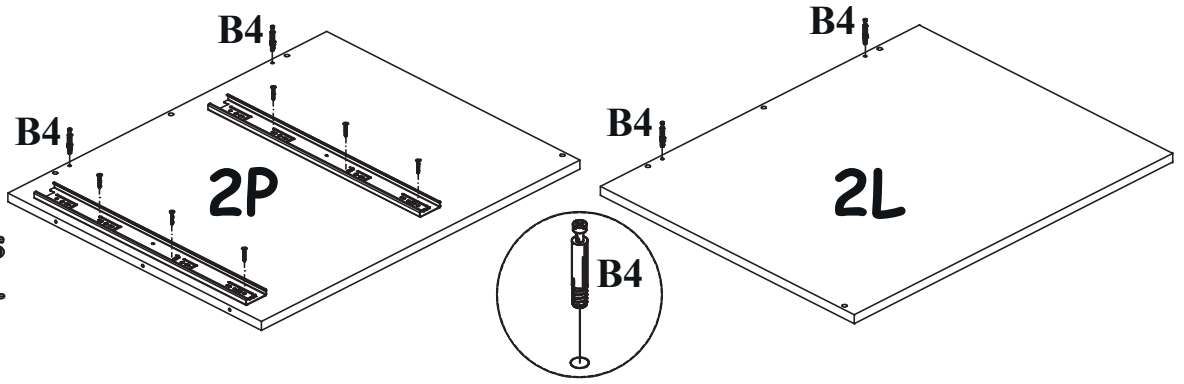
A1 X6  ø8x36	B4 X4 	B5 X4  ø15x12	G5 X4 	UP6 X10  UPØ4x30	B11 X8  Ø7x50
G4 X8 	I15 X4  L-150 mm	I16 X2 	D30 X8  USØ3,5x16	D27 X16  USØ4x35	G2 X1 
UP4 X14  UPØ4x16	KM1 X2 	D26 X2  Ø4x22	ZN X1 		



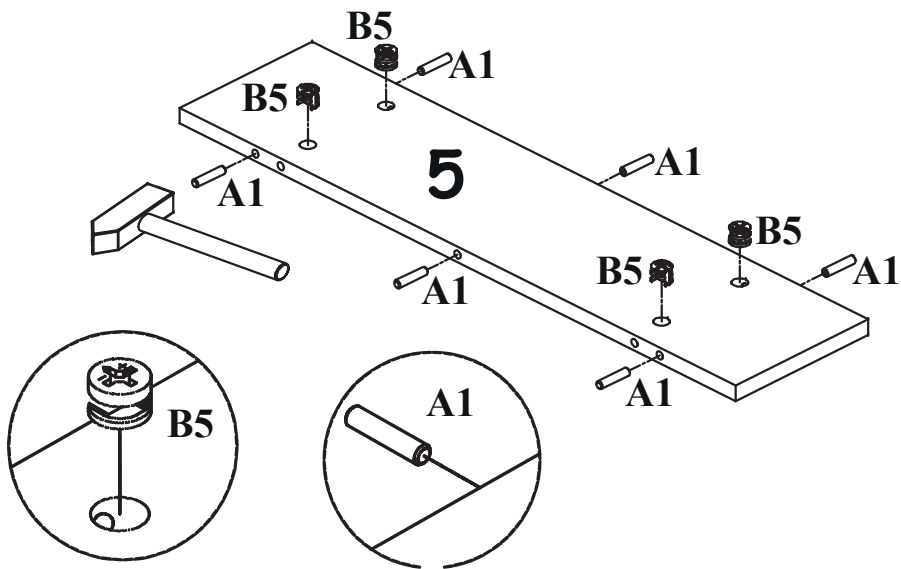
1



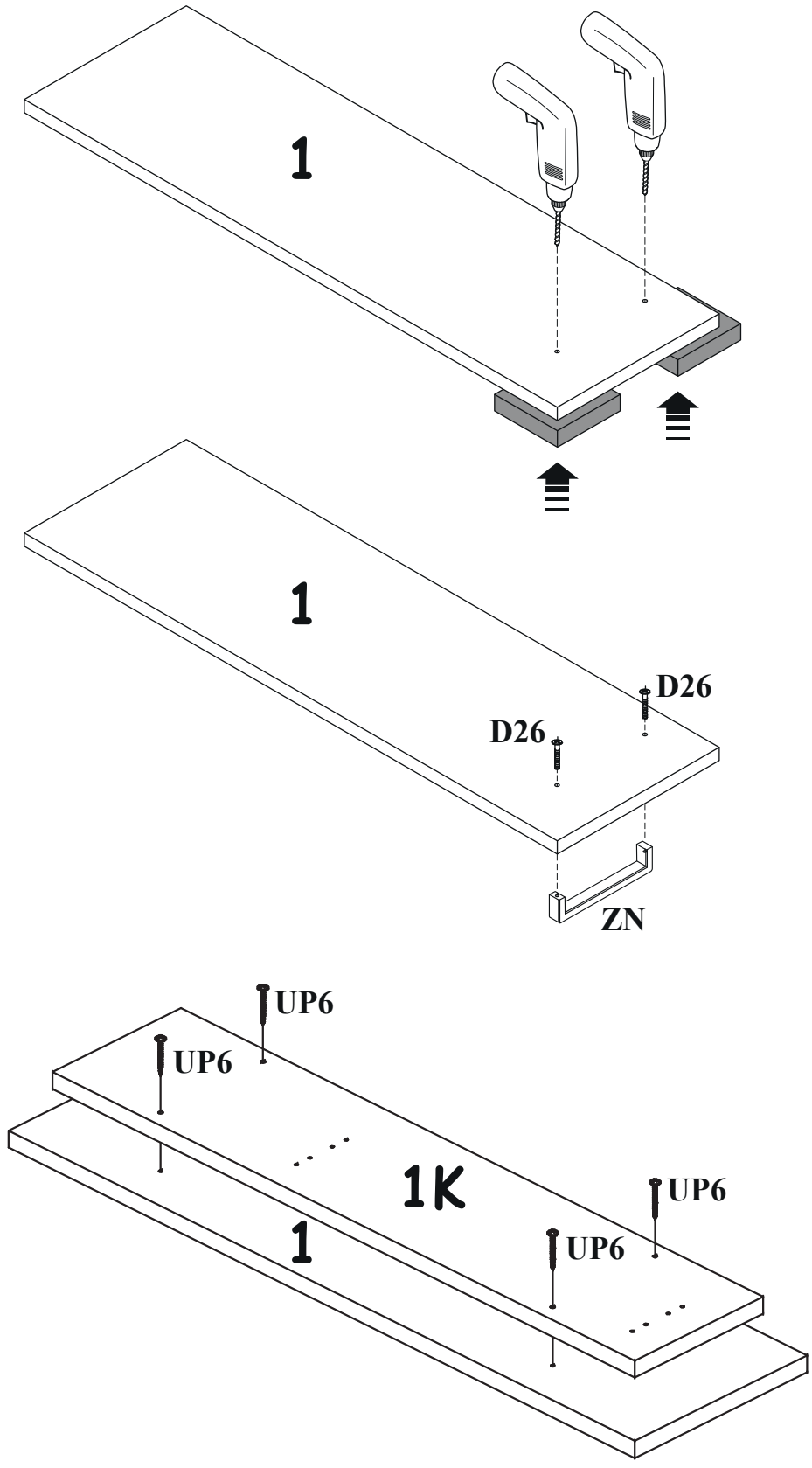
See instructions for cargo - pack 2



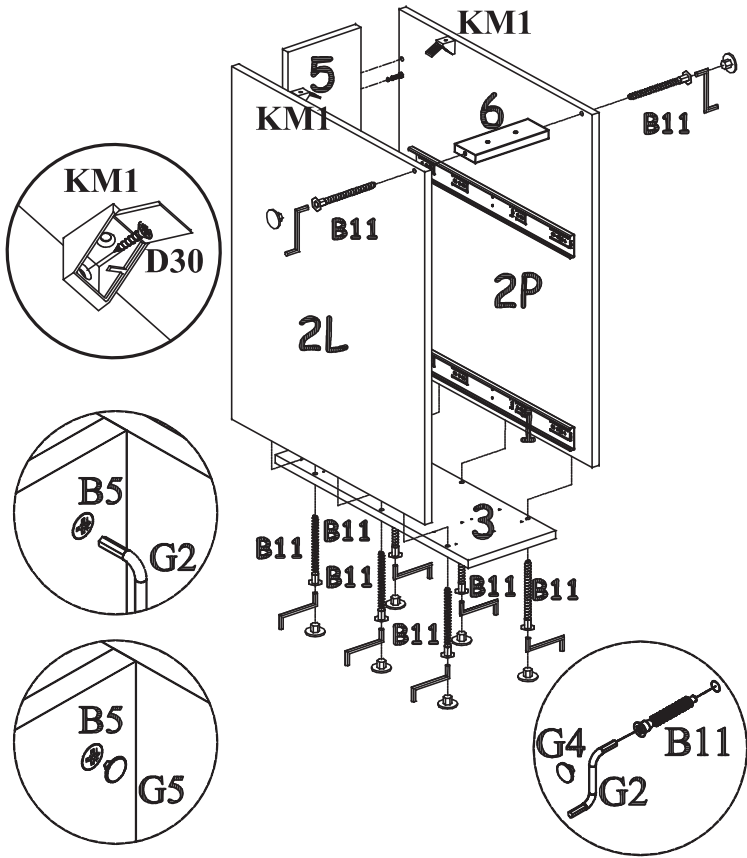
2



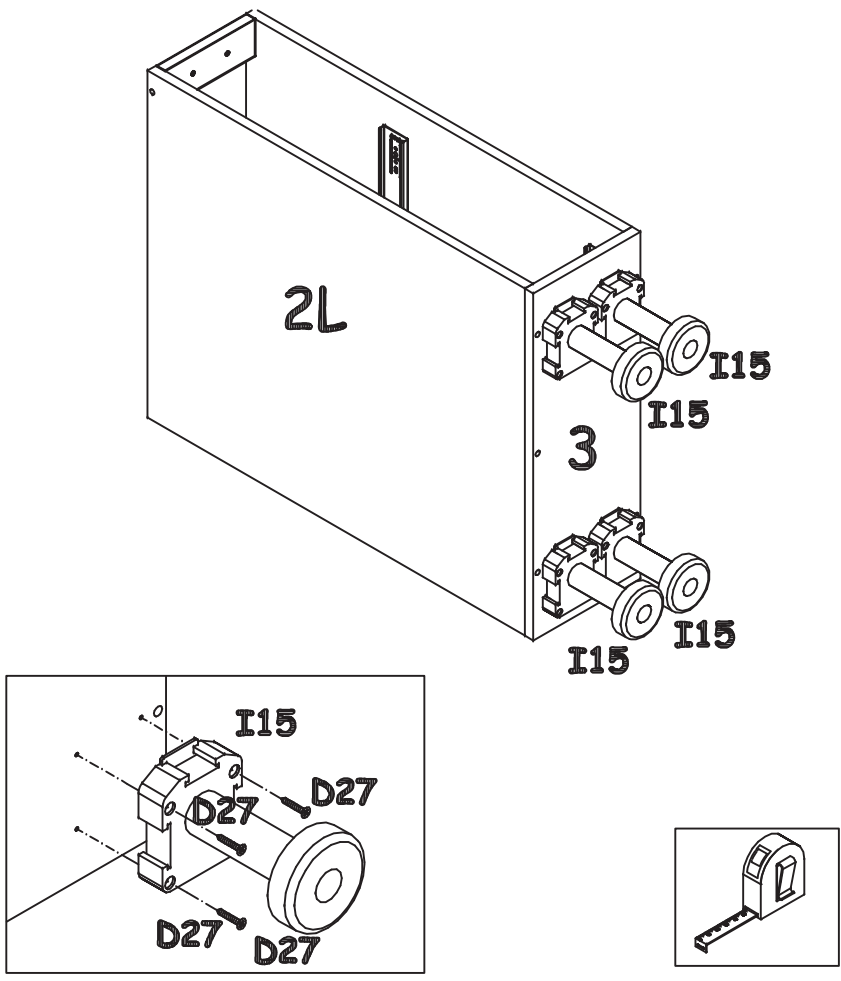
3



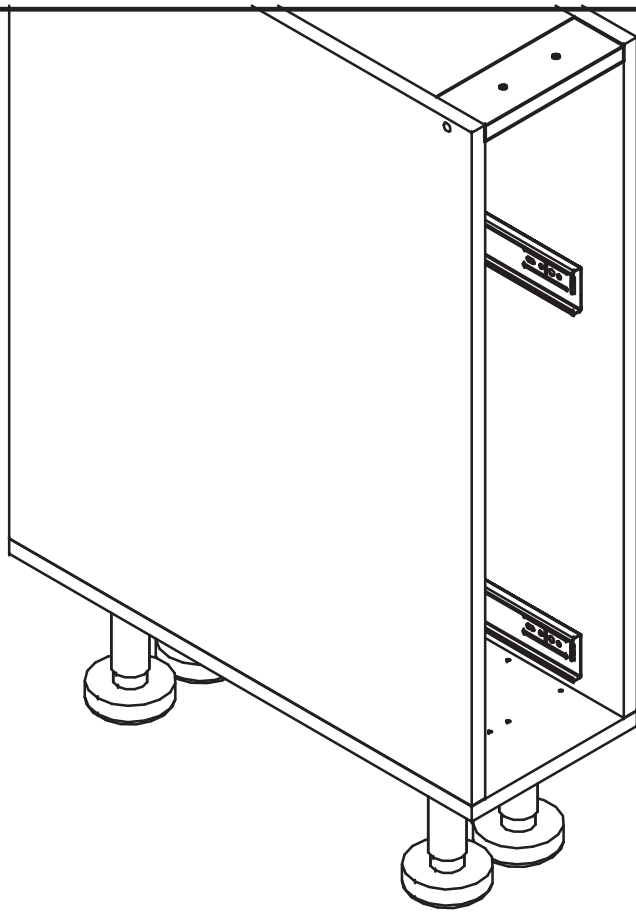
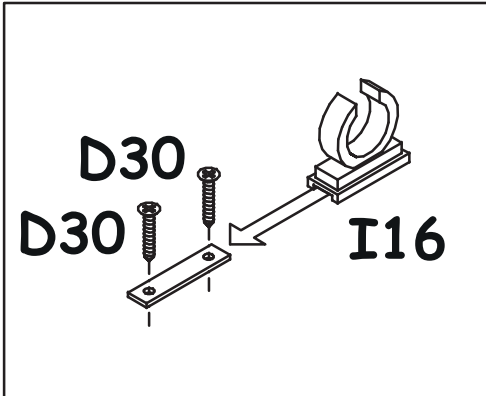
4



5



6



**Kontinue
with
instruction
for cargo -
pack 2**

