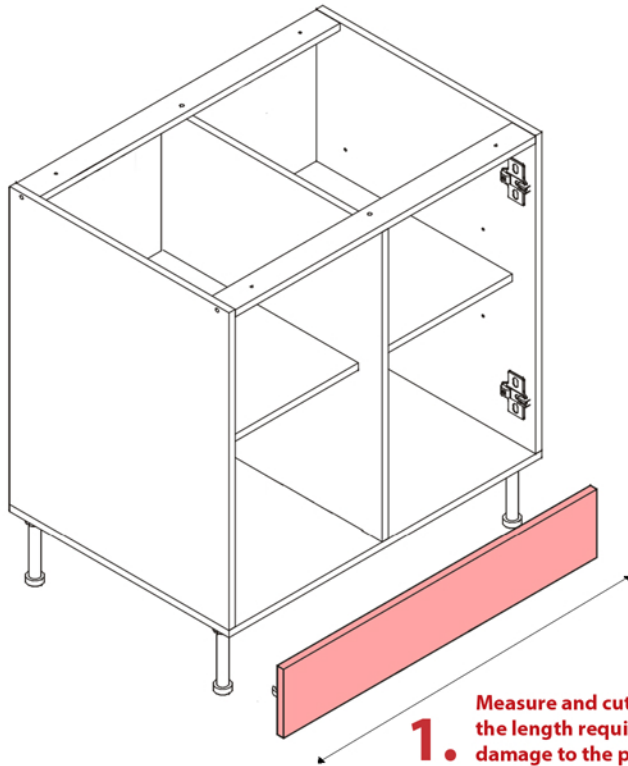


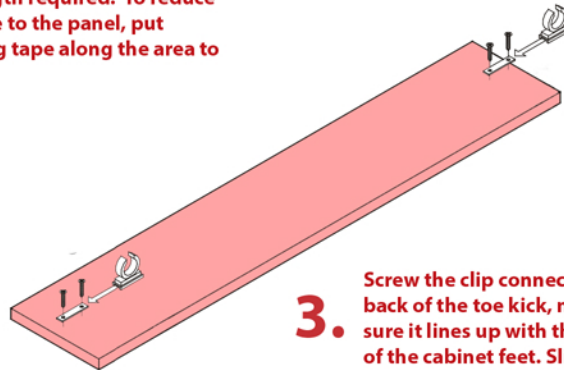
Installing Toe Kicks



1. Measure and cut the toe kick to the length required. To reduce damage to the panel, put masking tape along the area to be cut.

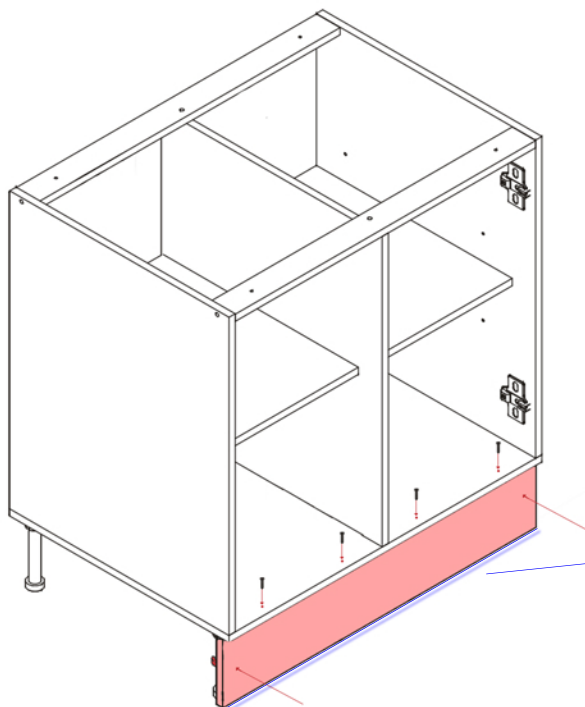


2. If your floor is uneven, take measurements at regular intervals from the floor to the base of the cabinet. Transfer these measurements onto the toe kick and plane the edge with a planer.



3. Screw the clip connectors to the back of the toe kick, making sure it lines up with the centre of the cabinet feet. Slid the clips into place.

You can join two toe kicks together by screwing an off-cut onto the back of the toe kicks where they join.



4. Clip you toe kicks into place onto the thin part of the cabinet feet. For extra support you can also predrill and screw down throught the base of the cabinet into the top of the te kick. This must be done very carefully to avoid splitting the toe kick or damaging the thermowrap.

We reccomend running a small amount of silicon along the bottom edge of the toe kicks where it meets the floor. This will avoid moisure seeping underneath to the backs of the toe kicks when cleaning the floor.